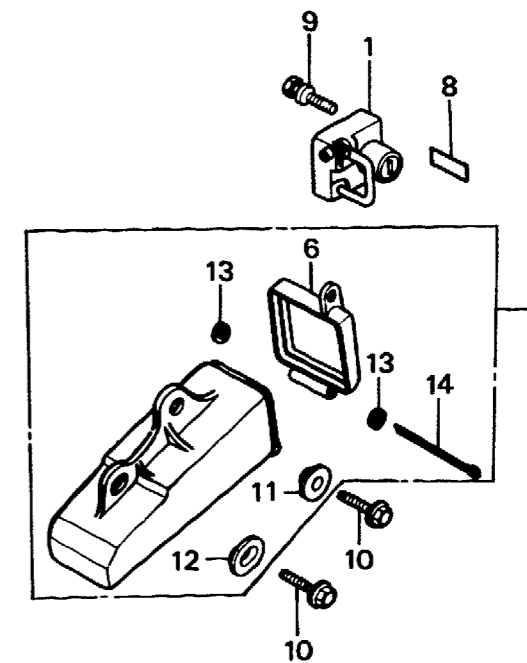
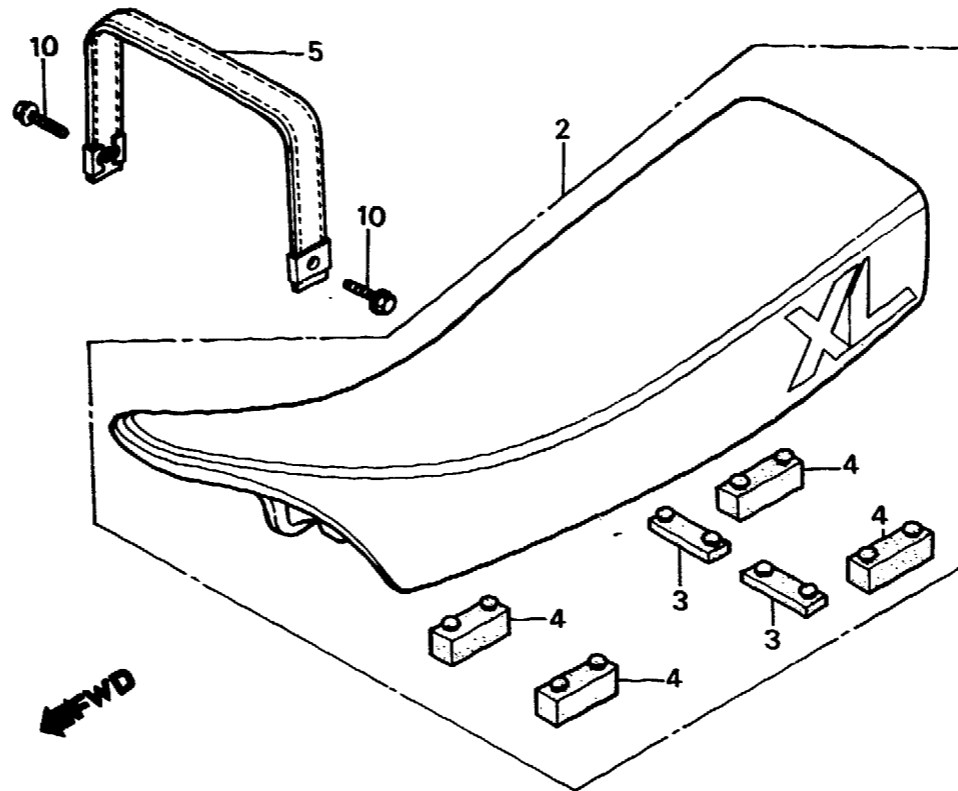


J 10

F-14

Seat
Siede
Sitz
Asiento



BMG2-22

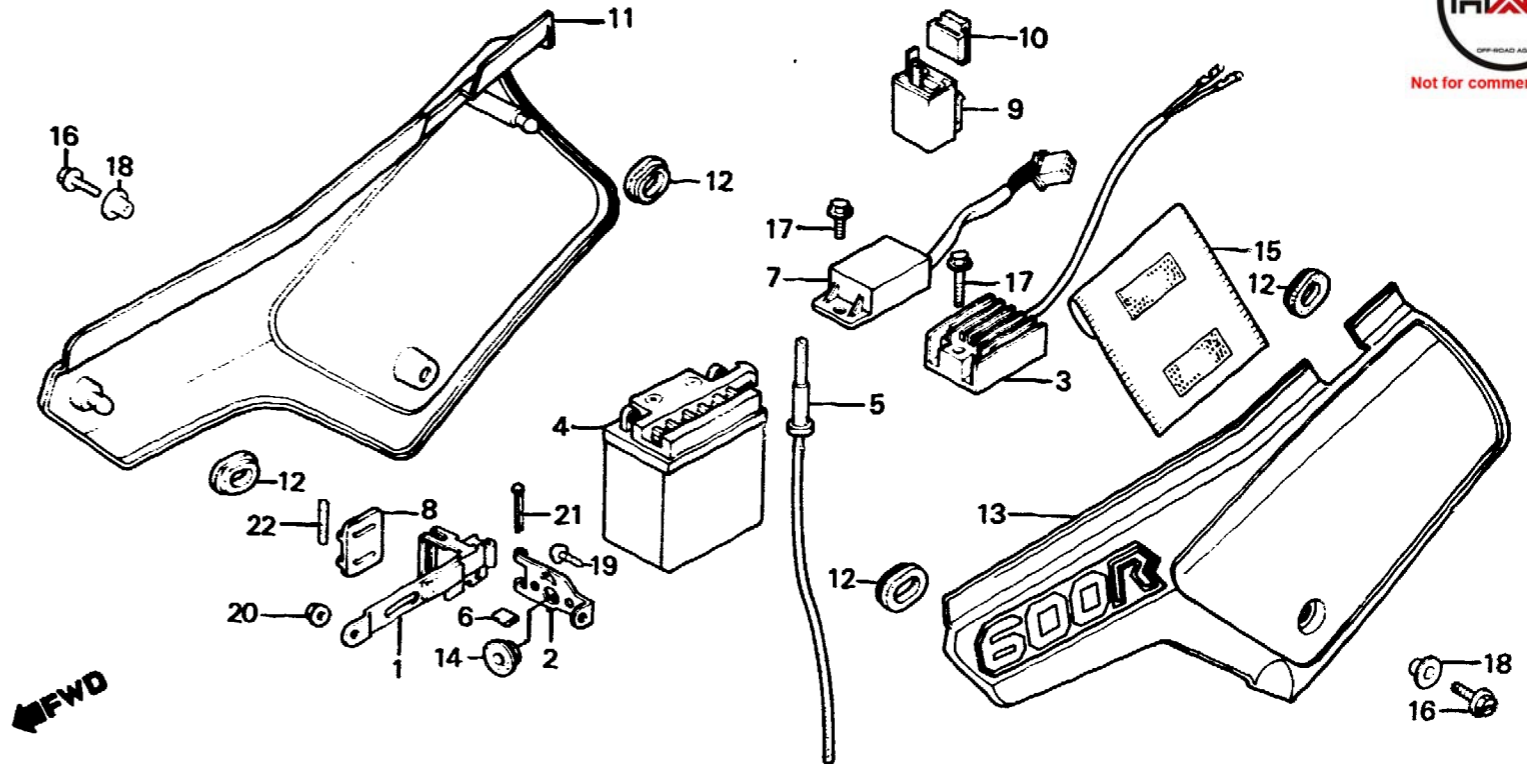
Service item	F.R.T.	Ref. No.	Part No.	Description	Reqd. No. XL600						Serial No.	Area code
					Rd	Ld	RE	LE	Rf	Lf		
		13	94101-03000	WASHER, PLAIN, 3MM	2	2	2	2	2	2		
		14	94201-30500	PIN, SPLIT, 3.0X50	1	1	1	1	1	1		

J 11



F-15

Side cover • Battery
Couvercle latéral • Batterie
Seitendeckel • Batterie
Cubierta lateral • Bateria



BMG2-50

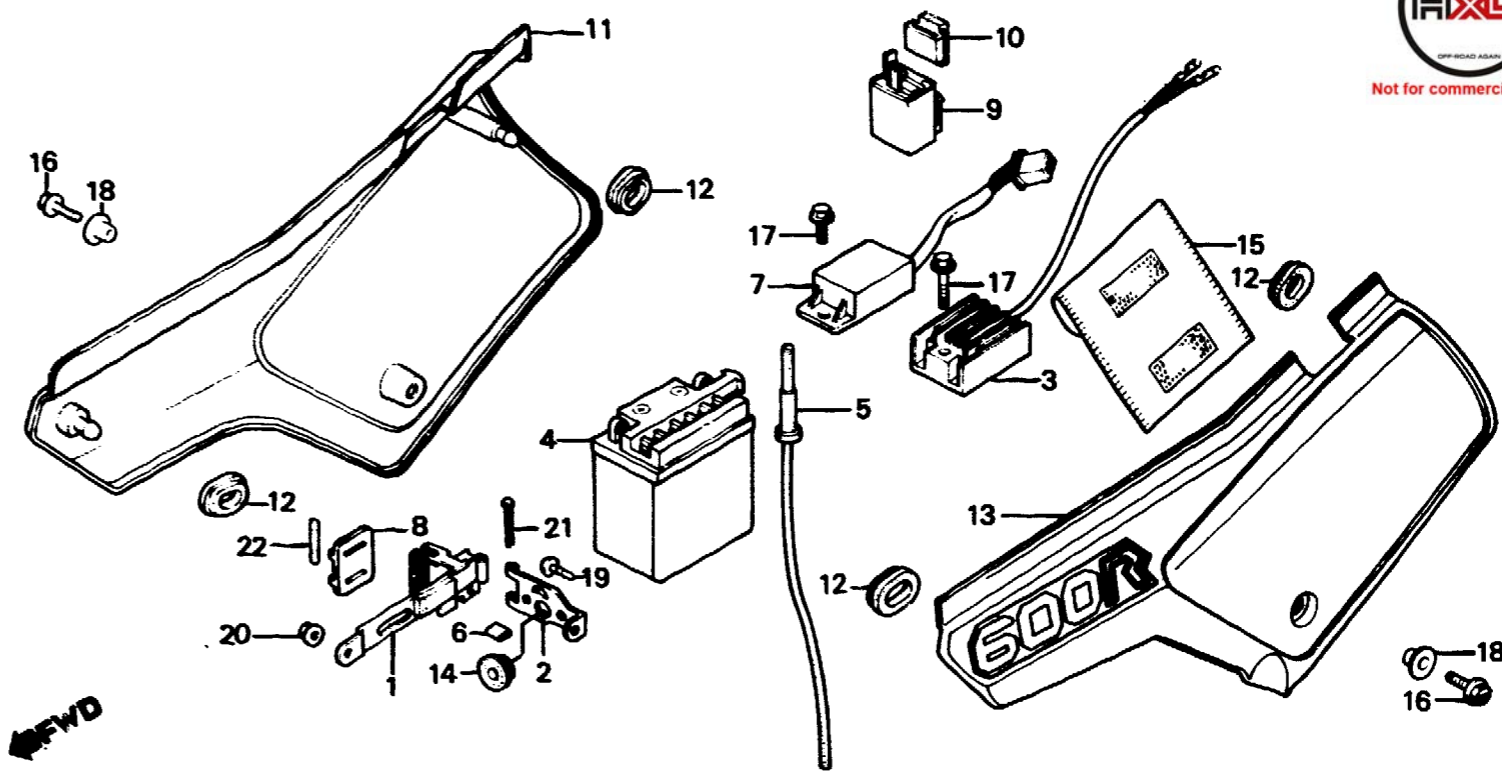
Service item	F.R.T.	Ref. No.	Part No.	Description	Reqd. No.						Serial No.	Area code
					Rd	Ld	XL600 RE	LE	Rf	Lf		
HINGE A, BATTERY • BATTERY	0.1	1	17233-MG2-000	HINGE A, BATTERY	1	1	1	1	1	1		
		2	17234-MG2-000	HINGE B, BATTERY	1	1	1	1	1	1		
• RELAY COMP., WINKER REGULATOR COMP.	0.4	3	31400-MG2-008	REGULATOR COMP.	1	1	1	1	1	1		
		4	31500-MC4-721	BATTERY (YB3L-A)	1	1	1	1	1	1		
• RECTIFIER COMP., REGULATOR		5	31503-MG2-000	TUBE, BATTERY BREATHER	1	1		1				AR,B,E,ED,F,G IT,SA,SD,SW,U CM
		*	31503-KG0-000	TUBE, BATTERY BREATHER			1		1	1		AR,B,E,ED,F,G IT,SA,SD,SW,U 2G
		6	31503-044-670	RUBBER B, BATTERY MOUNTING	1	1	1	1	1	1		
		7	31600-MC4-000	RECTIFIER COMP., REGULATOR	1	1	1	1	1	1		
		8	38205-115-000	CASE, FUSE	1	1	1	1	1	1		
		9	38301-MG2-008	RELAY COMP., WINKER	1	1	1	1	1	1		AR,B,CM,E,ED,F IT,SA,SD,SW,U G,2G
			38301-404-611	RELAY COMP., WINKER (ND)	1				1			B,CM,E,ED,F,IT SA,SD,SW,U
		10	38306-GE7-008	SUSPENSION, WINKER RELAY	1	1						

J 12



F-15

Side cover • Battery
Couvercle latéral • Batterie
Seitendeckel • Batterie
Cubierta lateral • Bateria



BMG2-50

Service item	F.R.T.	Ref. No.	Part No.	Description	Reqd. No. XL600						Serial No.	Area code
					Rd	Ld	Re	Le	Rf	Lf		
			38306-MC4-610	SUSPENSION, WINKER RELAY	1				1		G,2G	
			38306-GE7-000	SUSPENSION, WINKER RELAY	1				1		AR	
								1	1	1	ED,F,IT,SW	
										1	B,CM,E,SA,SD,U	
		11	835A0-MG2-000ZA	COVER SET, R. SIDE *R-110*	1	1					AR,B,E,ED,F,G	
			835A0-MG2-000ZB	COVER SET, R. SIDE *NH-111*	1						IT,SA,SD,SW,U	
			835A0-MG2-000ZC	COVER SET, R. SIDE *NH-1*	1						AR,B,E,ED,F,G	
									1		IT,SA,SD,SW,U	
		*	835A0-MG2-830ZA	COVER SET, R. SIDE *R-119*				1				
		*	835A0-MG2-870ZA	COVER COMP., R. SIDE *R-110*			1				CM	
		*	83500-MG2-000ZA	COVER, R. SIDE *R-119*					1			
		*								1		
		*	83500-MG2-000ZB	COVER, R. SIDE *R-134*						1	AR,B,E,ED,F,G	
											IT,SA,SD,SW,U	
											2G	

J 13



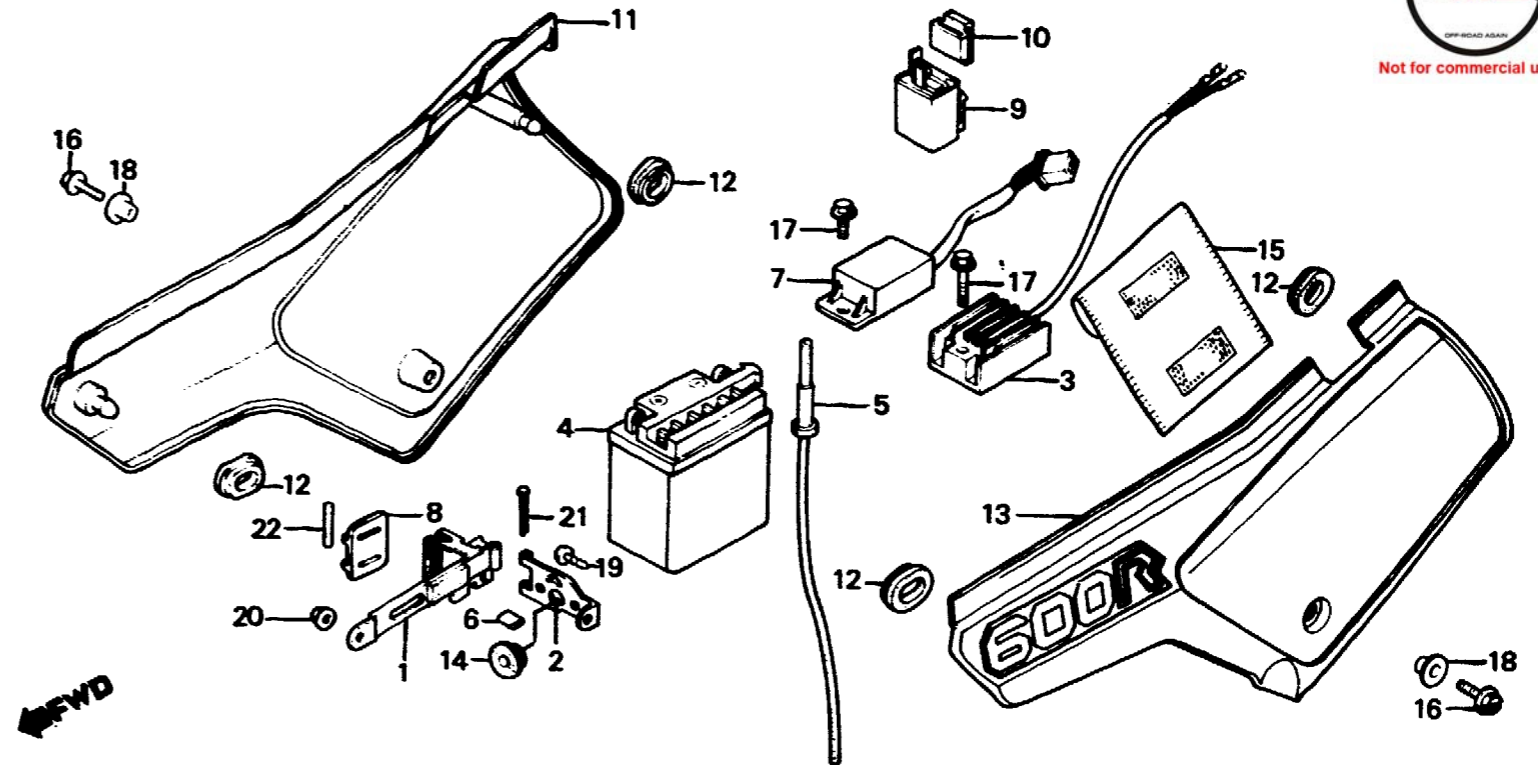
F-15

Side cover • Battery

Couvercle latéral • Batterie

Seitendeckel • Batterie

Cubierta lateral • Bateria



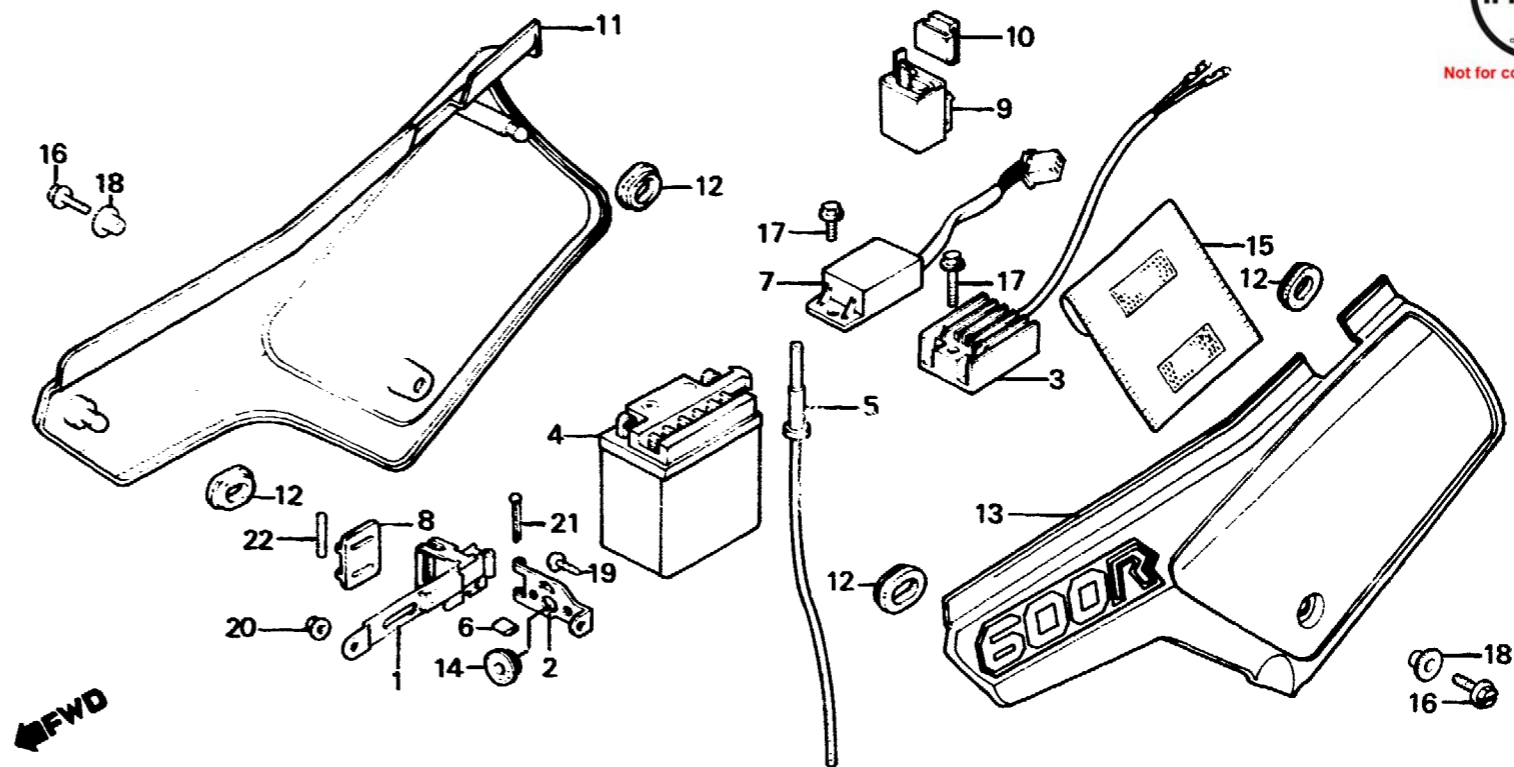
BMG2-50

Service item	F.R.T.	Ref. No.	Part No.	Description	Reqd. No.						Serial No.	Area code
					Rd	Ld	RE	LE	Rf	Lf		
		*	83500-MG2-000ZC	COVER, R. SIDE *NH-138*							1	AR,B,E,ED,F,G IT,SA,SD,SW,U 2G
		*	83500-MG2-000ZD	COVER, R. SIDE *NH-1*							1	AR,B,E,ED,F,G IT,SA,SD,SW,U 2G
		12	83551-300-000	GROMMET, AIR CLEANER CASE	4	4	4	4	4	4		
		13	836A0-MG2-000ZA	COVER SET, L. SIDE *R-110*	1	1						
			836A0-MG2-000ZB	COVER SET, L. SIDE *NH-111*	1							AR,B,E,ED,F,G IT,SA,SD,SW,U
			836A0-MG2-000ZC	COVER SET, L. SIDE *NH-1*	1							AR,B,E,ED,F,G IT,SA,SD,SW,U
			836A0-MG2-830ZA	COVER SET, L. SIDE *R-119*				1				
			836A0-MG2-870ZA	COVER COMP., L. SIDE *R-110*			1					
		*	83600-MG2-000ZA	COVER, L. SIDE *R-119*					1		1	CM

J 14

F-15

Side cover • Battery
Couvercle latéral • Batterie
Seitendeckel • Batterie
Cubierta lateral • Bateria



BMG2-50

Service item	F.R.T.	Ref. No.	Part No.	Description	Reqd. No. XL600						Serial No.	Area code
					Rd	Ld	RE	LE	Rf	Lf		
*			83600-MG2-000ZB	COVER, L. SIDE *R-134*					1			AR,B,E,ED,F,G IT,SA,SD,SW,U 2G
*			83600-MG2-000ZC	COVER, L. SIDE *NH-138*					1			AR,B,E,ED,F,G IT,SA,SD,SW,U 2G
*			83600-MG2-000ZD	COVER, L. SIDE *NH-1*					1			AR,B,E,ED,F,G IT,SA,SD,SW,U 2G
		14	83618-323-000	RUBBER, BATTERY BOX	1	1	1	1	1	1		
		15	83642-355-000	BAG, OWNERS MANUAL	1	1	1	1	1	1		
		16	90011-729-000	BOLT, SPECIAL, 6X14	2	2	2	2	2	2		
		17	90170-MG3-000	BOLT, FLANGE, 6X10	2	2	2	2	2	2		
		18	90522-028-000	WASHER, CHAIN CASE SETTING	2	2	2	2	2	2		
		19	93903-36220	SCREW, TAPPING, 6X16	1	1	1	1	1	1		
		20	94050-06080	NUT, FLANGE, 6MM	1	1	1	1	1	1		
		21	94201-30400	PIN, SPLIT, 3.0	1	1	1	1	1	1		

J 15

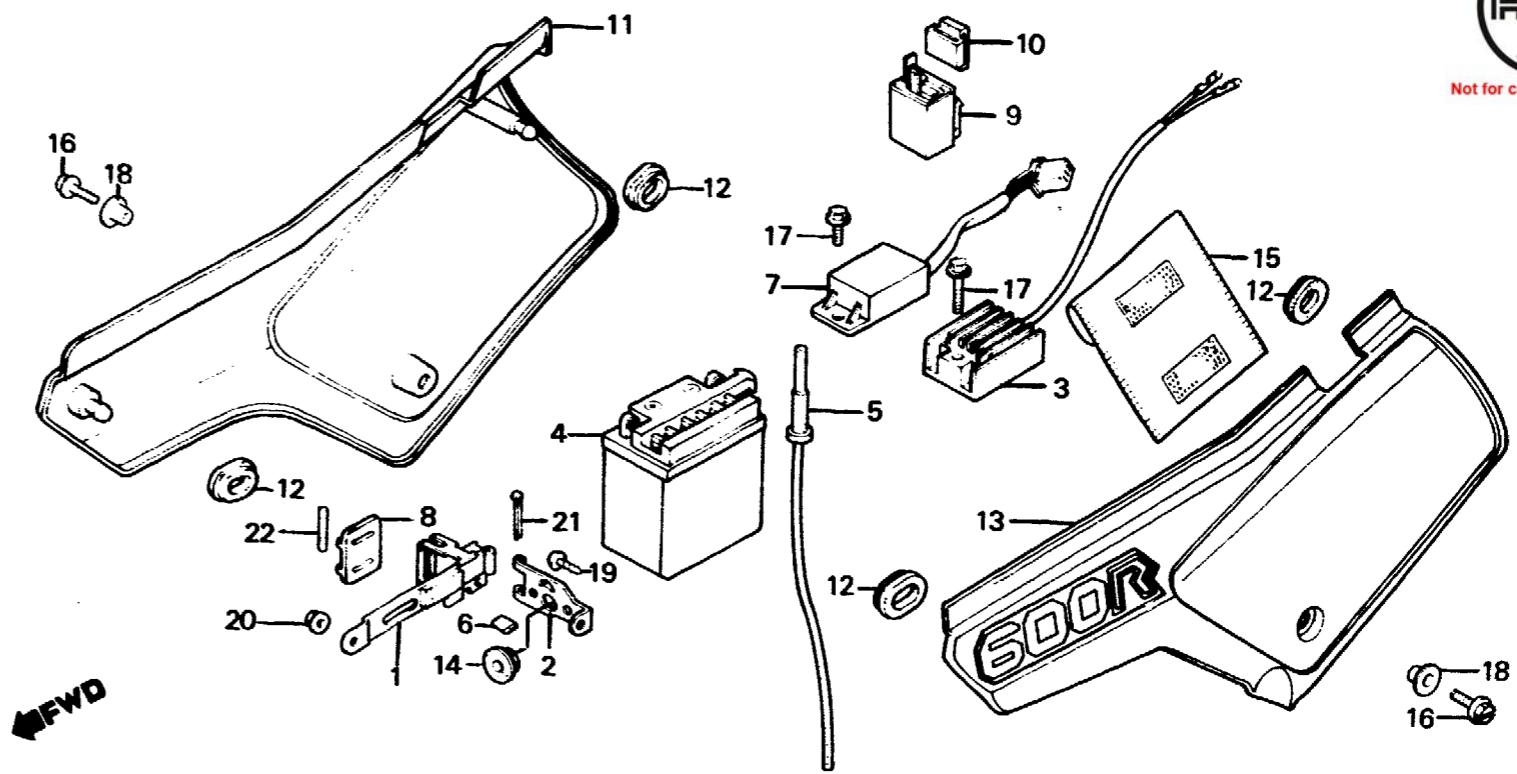
F-15

Side cover • Battery

Couvercle latéral • Batterie

Seitendeckel • Batterie

Cubierta lateral • Bateria



BMG2-50

Service item	F.R.T.	Ref. No.	Part No.	Description	Reqd. No. XL600						Serial No.	Area code
					Rd	Ld	Re	Le	Rf	Lf		
		22	98200-11000	FUSE A (10A)	1	1	1	1	1	1		

1984.10.20

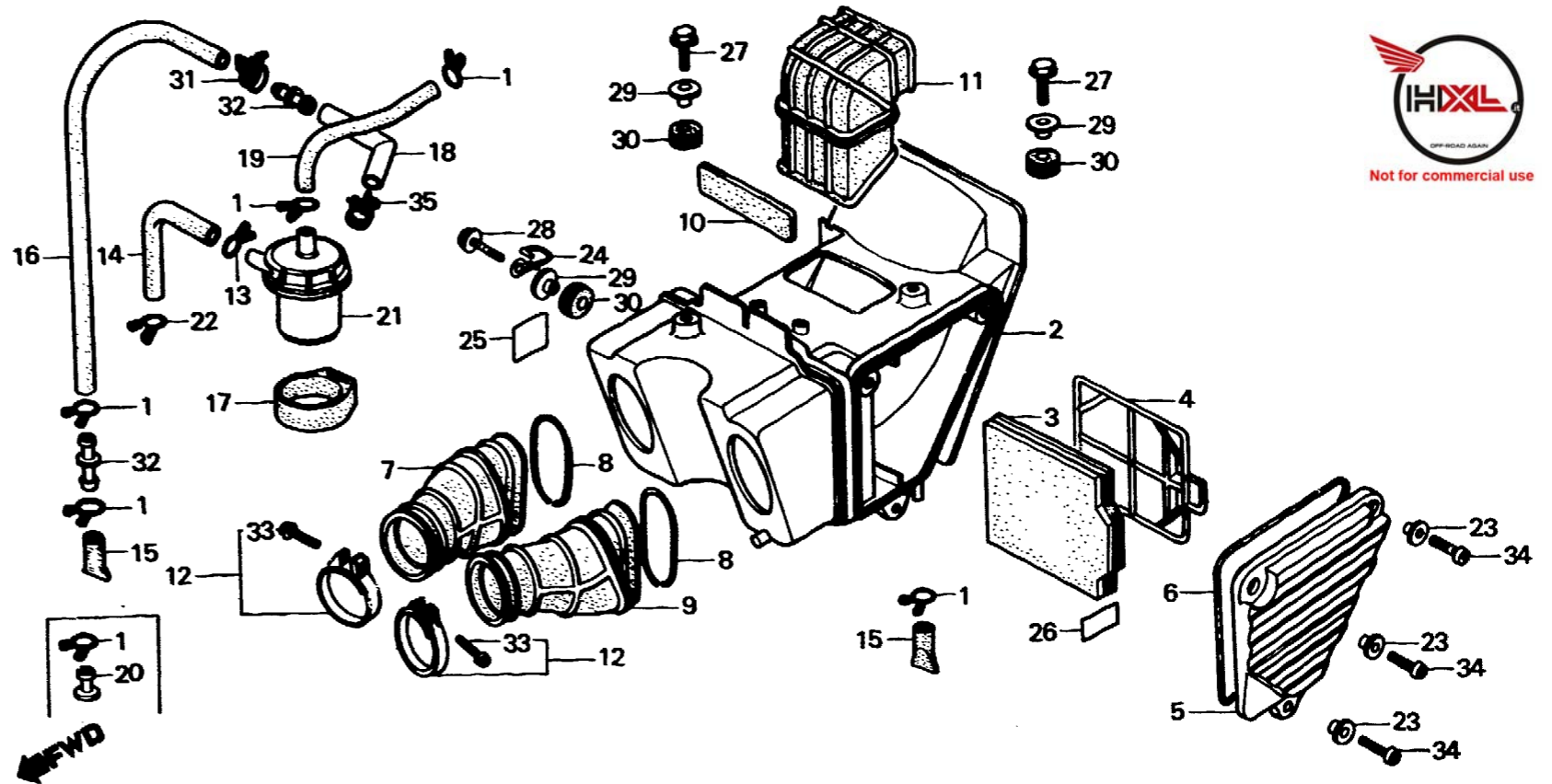
E

J15

J 16

F-16

Air cleaner
Filtre à air
Luftfilter
Limpiador de aire



BMG2-25D

Service item	F.R.T.	Ref. No.	Part No.	Description	Reqd. No. XL600						Serial No.	Area code
					Rd	Ld	RE	LE	Rf	Lf		
CASE COMP., AIR CLEANER	0.8	1	15772-292-010	CLIP, BREATHER TUBE	3	3	3	3	4	4	AR,B,CM,E,ED,F G,IT,SD,SW,U,2G SA	
ELEMENT, AIR CLEANER	0.2				4				4			
• DUCT, AIR CLEANER IN.		2	17210-MG2-000	CASE COMP., AIR CLEANER	1	1	1	1		1	AR,B,CM,E,ED,F G,IT,SD,SW,U,2G SA	
• SEPARATOR COMP., BREATHER	0.1		17210-MG2-890	CASE COMP., AIR CLEANER					1	1		
HOLDER, ELEMENT	0.5	3	17213-MG2-000	ELEMENT, AIR CLEANER	1	1	1	1	1	1		
TUBE, R. AIR CLEANER		4	17215-MG2-000	HOLDER, ELEMENT	1	1	1	1	1	1		
(ADD 0.2 FOR EACH.)		5	17220-MG2-000	COVER, AIR CLEANER CASE	1	1	1	1	1	1		
CONNECTING		6	17221-MG2-000	SEAL, AIR CLEANER COVER	1	1	1	1	1	1		
		7	17222-MG2-000	TUBE, R. AIR CLEANER	1	1	1	1	1	1		
		8	17228-MG2-000	SPRING, AIR CLEANER CONNECTING (SEC)	2	2	2	2	2	2		
		9	17232-MG2-000	TUBE, L. AIR CLEANER	1	1	1	1	1	1		
		10	17235-MG2-300	GUARD, WATER CONNECTING (PRIM)	1	1	1	1	1	1		

K 1

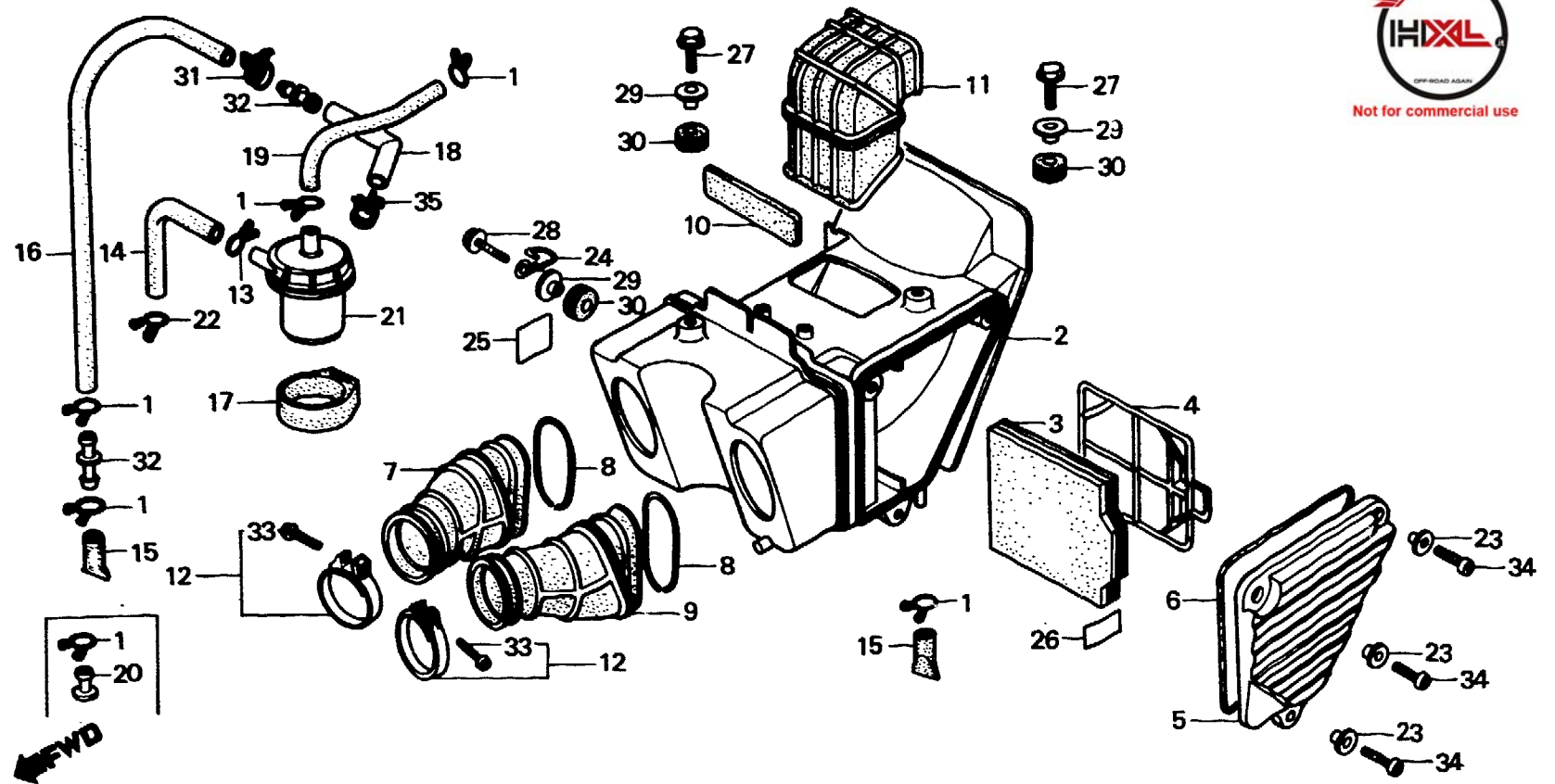
F-16

Air cleaner

Filtre à air

Luftfilter

Limpiador de aire



BMG2-25D

Service item	F.R.T.	Ref. No.	Part No.	Description	Reqd. No. XL600						Serial No.	Area code
					Rd	Ld	Re	Le	Rf	Lf		
		11	17240-MG2-000	DUCT, AIR CLEANER IN.	1		1		1			CM
			17240-MG2-600	DUCT, AIR CLEANER IN.	1	1			1	1	1	AR,B,E,ED,F,G IT,SA,SD,U,2G SW
			17240-MG2-760	DUCT, AIR CLEANER IN.	1				1	1		
		12	17256-MG3-000	BAND ASSY., CONNECTING TUBE	2	2	2	2	2	2		
		13	17316-611-000	CLIP, BREATHER TUBE	1	1	1	1	1	1		
		14	17357-MG2-670	TUBE, BREATHER	1	1	1	1	1	1		
		15	17358-170-000	TUBE, DRAIN	1				1		1	SA AR,B,CM,E,ED,F G,IT,SD,SW,U,2G
		16	17365-MG2-670	TUBE B, DRAIN	1	1	1	1	1	1		
		17	17366-435-000	BAND, BREATHER SEPARATOR	1	1	1	1	1	1		
		18	17367-MG2-670	TUBE A, DRAIN	1	1	1	1	1	1		
		19	17368-MG2-000	TUBE, AIR CLEANER SEPARATOR	1	1	1	1	1	1		

K 2

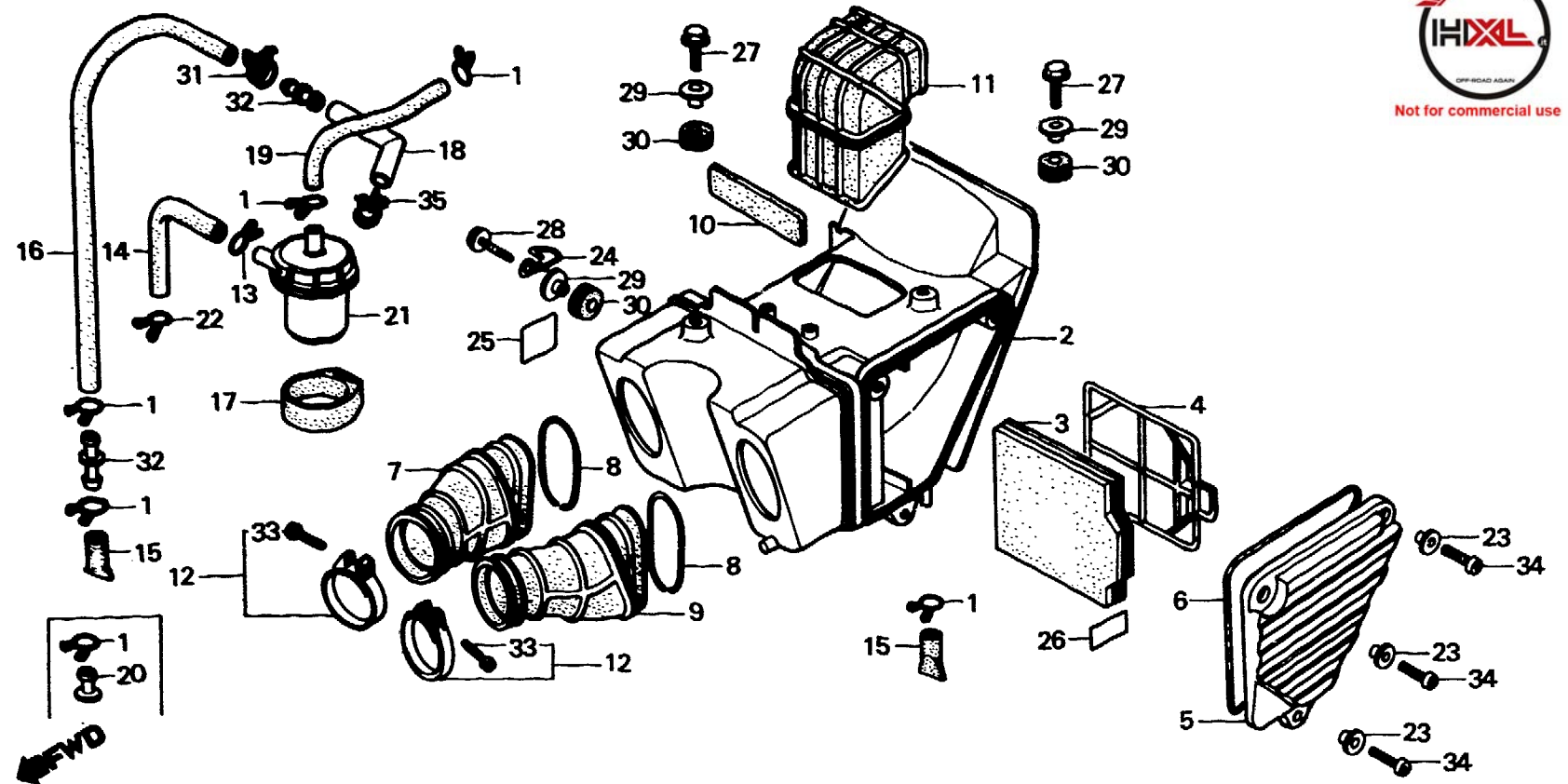
F-16

Air cleaner

Filtre à air

Luftfilter

Limpiador de aire



BMG2-25D

Service item	F.R.T.	Ref. No.	Part No.	Description	Reqd. No. XL600						Serial No.	Area code
					Rd	Ld	Re	Le	Rf	Lf		
		20	17370-382-870	PLUG, BREATHER TUBE	1	1	1	1	1	1		AR,B,CM,E,ED,F G,IT,SD,SW,U,2G
		21	17370-435-315	SEPARATOR COMP., BREATHER	1	1	1	1	1	1		
		22	17724-102-700	CLIP, SUB TANK HOSE	1	1	1	1	1	1		
		23	33713-GC2-000	COLLAR B, TAILLIGHT	3	3	3	3	3	3		
		24	35351-MG2-000	CLAMP, RR. STOP SWITCH CORD	1	1	1	1	1	1		
		25	87506-MG2-620	MARK, BATTERY CAUTION (FRENCH)	1	1	1	1	1	1		CM
			87506-MG2-670	MARK, BATTERY CAUTION	1	1	1	1	1	1		F
			87506-MG2-670	MARK, BATTERY CAUTION	1	1	1	1	1	1		AR,B,E,ED,G,IT SA,SD,SW
		*	87506-MG2-700	MARK, BATTERY CAUTION					1	1		CM,U
		*	87506-MG2-790	MARK, BATTERY CAUTION						1		AR,B,E,ED,G,IT SA,SD,SW,2G
												F



Not for commercial use

K 3

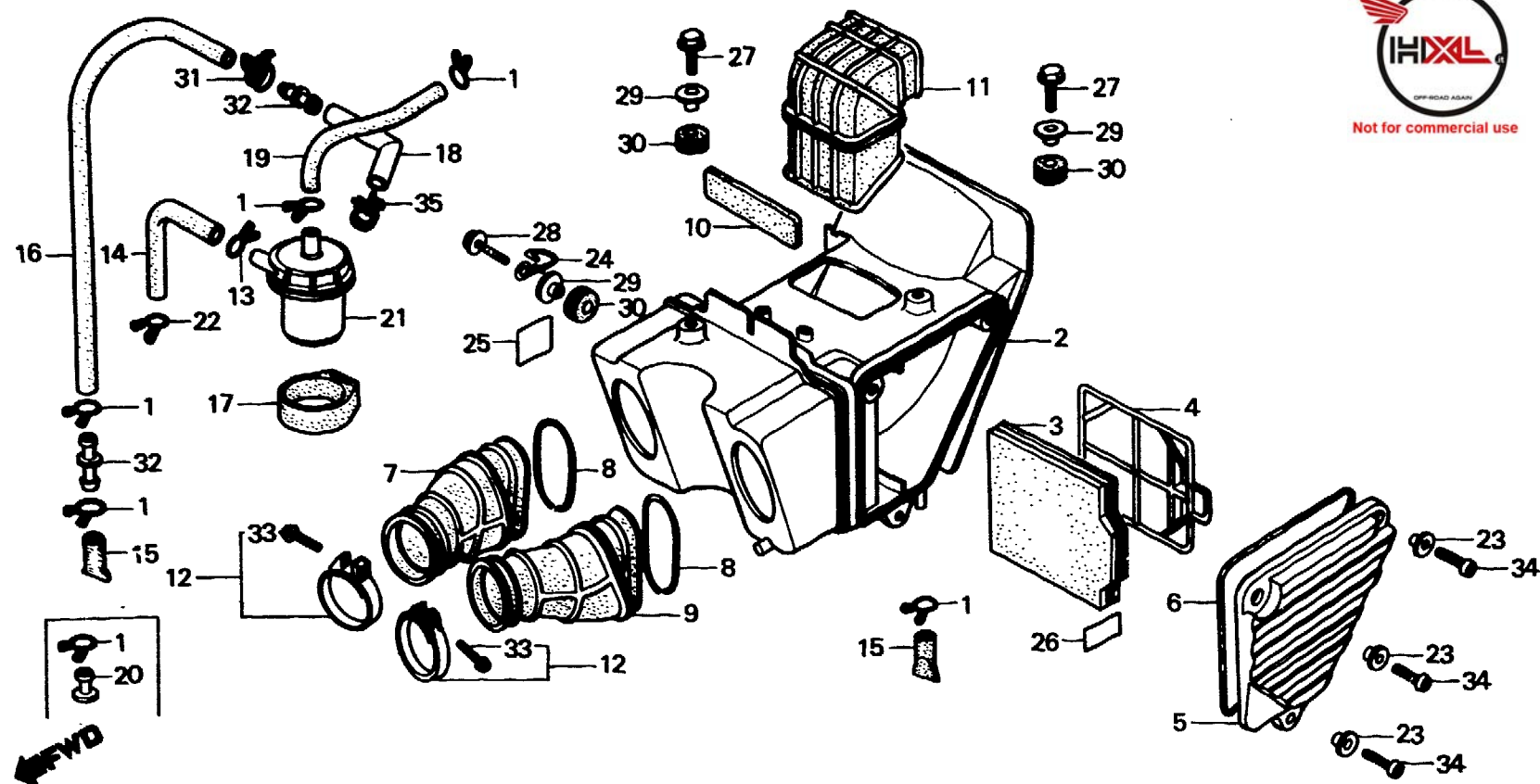
F-16

Air cleaner

Filtre à air

Luftfilter

Limpiador de aire



BMG2-25D

Service item	F.R.T.	Ref. No.	Part No.	Description	Reqd. No. XL600						Serial No.	Area code
					Rd	Ld	RE	LE	Rf	Lf		
		26	87507-429-620	MARK, AIR CLEANER CAUTION (FRENCH)	1	1	1	1	1	1		CM,F
			87508-120-000	LABEL, AIR CLEANER CAUTION	1	1	1	1	1	1		AR,B,CM,E,ED,G IT,SA,SD,SW,U 2G
		27	90172-MG3-000	BOLT, FLANGE, 6X16	2	2	2	2	2	2		
		28	90173-MG3-000	BOLT, FLANGE, 6X20	1	1	1	1	1	1		
		29	90501-MC4-000	COLLAR A, AIR CLEANER CASE	3	3	3	3	3	3		
		30	90505-MC4-000	GROMMET A, AIR CLEANER CASE	3	3	3	3	3	3		
		31	91462-393-780	CLIP, TUBE	1	1	1	1	1	1		
		32	91463-393-780	JOINT, TUBE	1	1	1	1	1	1		AR,B,CM,E,ED,F G,IT,SD,SW,U,2G SA
		33	93500-04025-0A	SCREW, PAN, 4X25	2	2	2	2	2	2		
		34	93500-06016-0G	SCREW, FAN, 6X16	3	3	3	3	3	3		
		35	95002-01160	CLIP A16, TUBE	1	1	1	1	1	1		

K 4



Not for commercial use

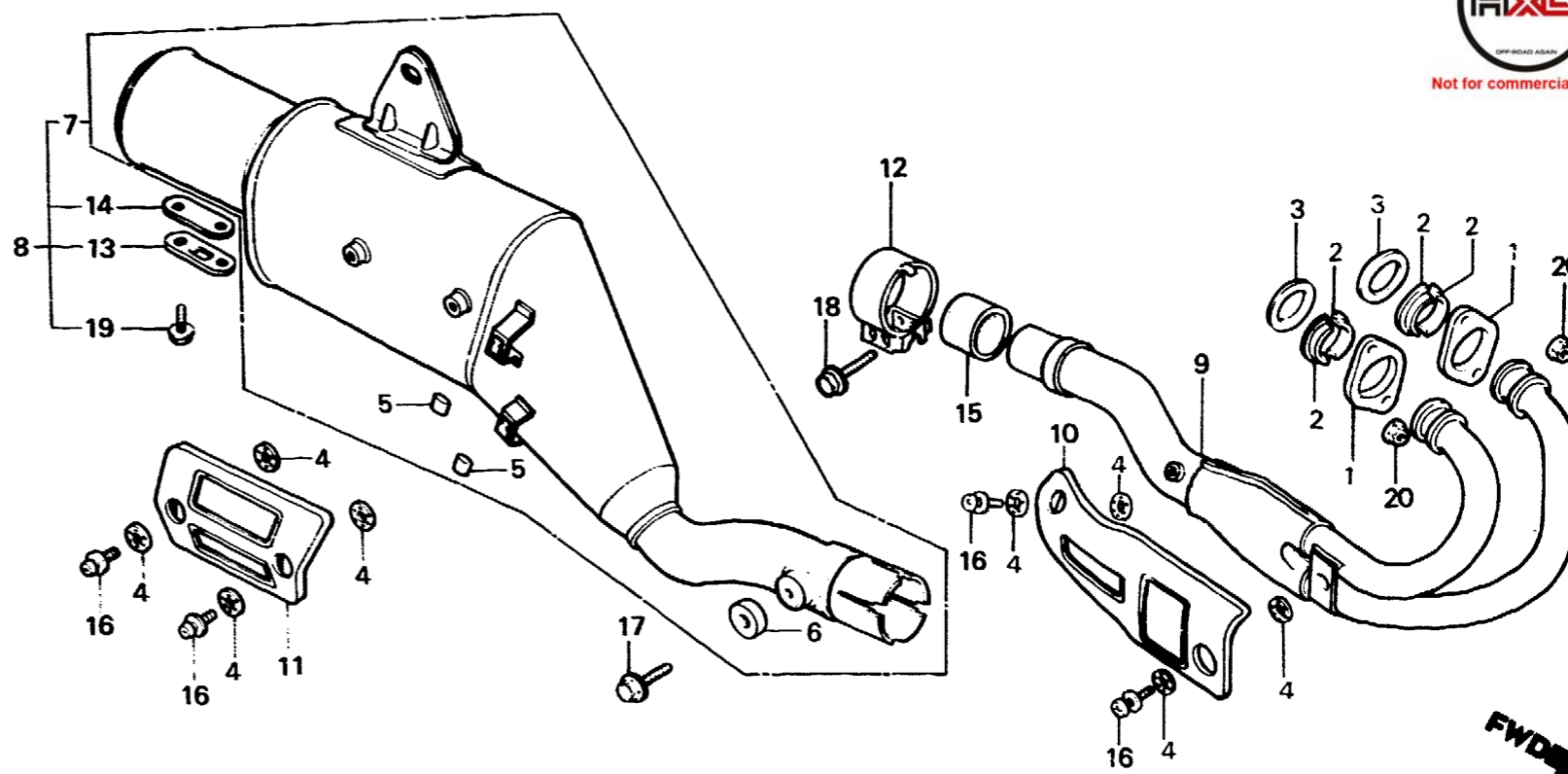
F-17

Exhaust muffler

Pot d'échappement

Auspufftopf

Silenciador



BMG2-51

Service item	F.R.T.	Ref. No.	Part No.	Description	Reqd. No. XL600						Serial No.	Area code
					Rd	Ld	RE	LE	Rf	Lf		
GASKET, EX. PIPE (ONE OR ALL)	0.2	1	18231-MG3-000	JOINT, EX. PIPE	2	2	2	2	2	2		
• MUFFLER COMP., EX.		2	18233-435-000	COLLAR, EX. PIPE JOINT	4	4	4	4	4	4		
• PIPE COMP., EX.		3	18291-216-000	GASKET, EX. PIPE	2	2	2	2	2	2		
PROTECTOR, EX. PIPE	0.1	4	18292-415-000	PACKING, PROTECTOR	8	8	8	8	8	8		
		5	18293-147-000	RUBBER, PROTECTOR PACKING	2	2	2	2				
		*	83512-KA4-700	RUBBER, SIDE COVER						2	2	
		6	18295-429-000	PACKING B, MUFFLER	1	1	1	1	1	1		
		7	18310-MG2-000	MUFFLER COMP., EX.	1	1		1		1		AR,B,E,ED,F,IT SA,SD,SW,U
			18310-MG2-610	MUFFLER COMP., EX.	1							G
		*	18310-MG2-700	MUFFLER COMP.					1			AR,B,E,ED,F,G IT,SA,SD,SW,U
		8	18310-MG2-670	MUFFLER COMP., EX.	1		1		1			2G
		9	18320-MG2-000	PIPE COMP., EX.	1	1	1	1	1	1		CM
		10	18325-MG3-000	PROTECTOR, EX. PIPE	1	1	1	1	1	1		

K 5

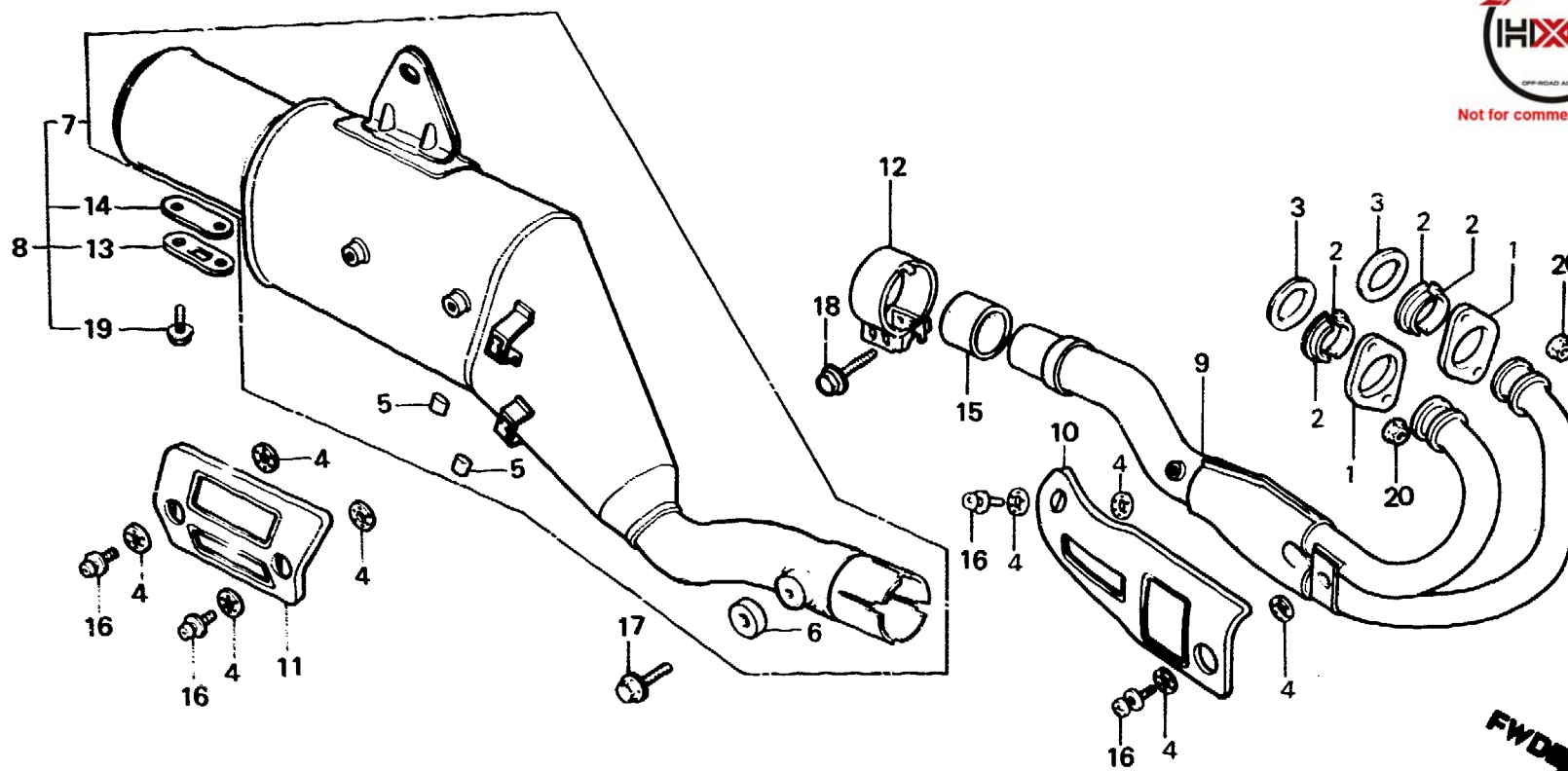
F-17

Exhaust muffler

Pot d'échappement

Auspufftopf

Silenciador



BMG2-51

Service item	F.R.T.	Ref. No.	Part No.	Description	Reqd. No.						Serial No.	Area code
					Rd	Ld	Re	Le	Rf	Lf		
		11	18355-MG2-000	PROTECTOR, MUFFLER	1	1	1	1	1	1		
		12	18371-MA0-770	BAND, MUFFLER	1	1	1	1	1	1		
		13	18373-429-010	LID, MUFFLER	1		1		1			CM
		14	18374-429-000	PACKING, MUFFLER LID	1		1		1			CM
		15	18391-429-000	PACKING, MUFFLER	1	1	1	1	1	1		
		16	90136-MC7-000	SCREW-WASHER, 6X12	4	4	4	4	4	4		
		17	90213-KF0-000	BOLT, FLANGE, 8X16	1	1	1	1	1	1		
		18	90216-KF0-000	BOLT, FLANGE, 8X32	2	2	2	2				
		19	96300-08040-08	BOLT, FLANGE, 8X40					2	2		
		19	93481-06012-07	BOLT-WASHER, 6X12	2		2		2			CM
		20	94050-08000	NUT, FLANGE, 8MM	4	4	4	4	4	4		

K 6



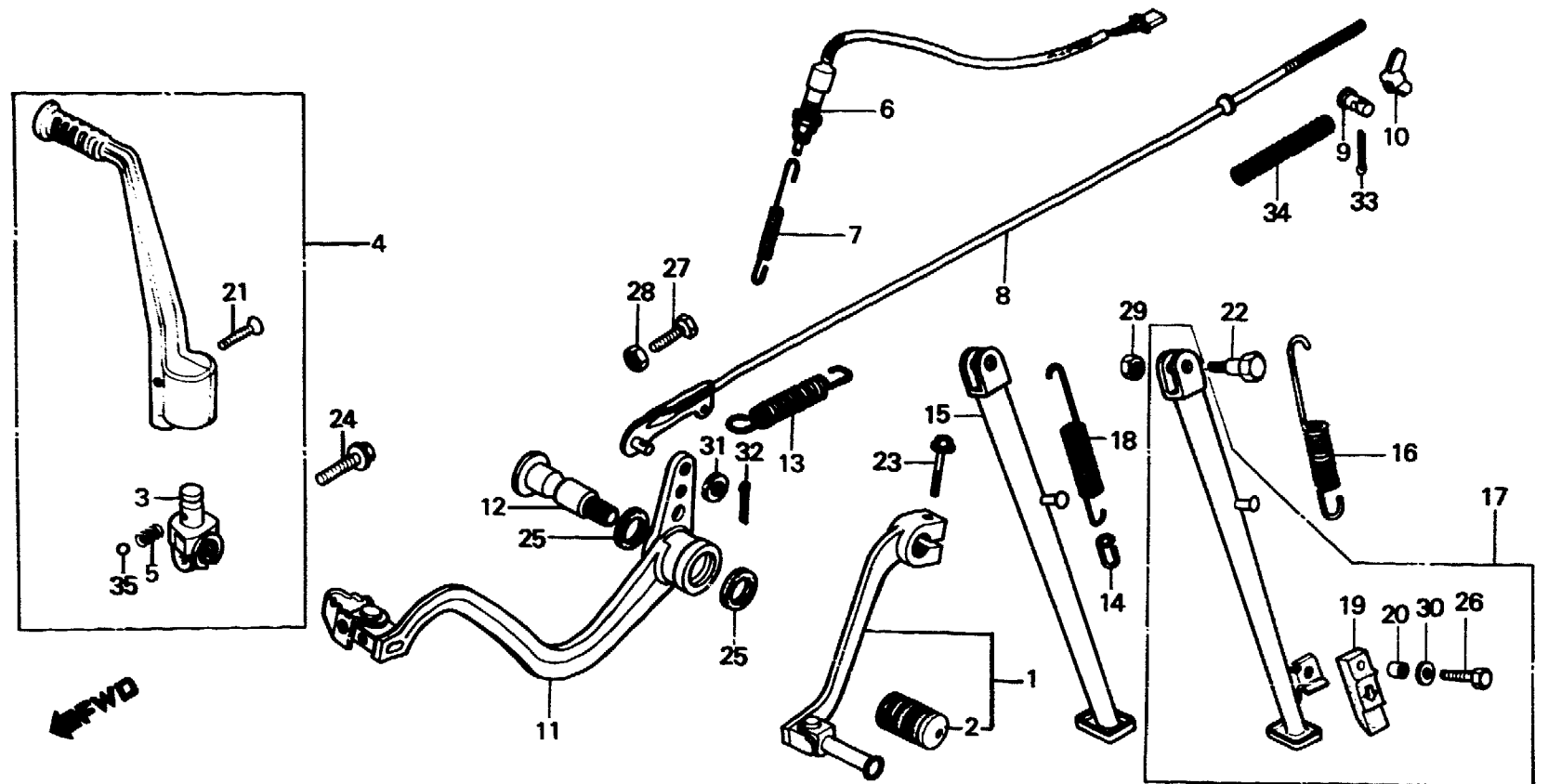
F-18

Brake pedal • Change pedal • Side stand

Pédale de frein • Pédale de changement • Bequille latéral

Bremspedal • Schaltpedal • Seitenständer

Pedal de freno • Pedal de cambio • Estante lateral



BMG2-52

Service item	F.R.T.	Ref. No.	Part No.	Description	Reqd. No. XL600						Serial No.	Area code
					Rd	Ld	Re	Le	Rf	Lf		
PEDAL COMP., CHANGE • ARM ASSY., KICK STARTER (INC. RELATIVE PART) • SPRING, SIDE STAND SWITCH ASSY., RR. STOP • ROD COMP., RR. BRAKE • PEDAL ASSY., BRAKE • BAR, SIDE STAND	0.1	1	24700-MG2-000	PEDAL COMP., CHANGE	1	1	1	1	1	1		
		2	24781-KE1-000	RUBBER, CHANGE PEDAL	1	1	1	1	1	1		
		3	28241-KF0-000	JOINT, KICK ARM	1	1	1	1	1	1		
		4	28300-KF0-000	ARM ASSY., KICK STARTER	1	1	1	1	1	1		
	0.2	5	28333-124-000	SPRING, KICK STARTER STOPPER	1	1	1	1	1	1		
		6	35350-MG2-000	SWITCH ASSY., RR. STOP	1	1	1	1	1	1		
		7	35357-MG2-000	SPRING, STOP SWITCH	1	1	1	1	1	1		
		8	43451-MG2-600	ROD COMP., RR. BRAKE	1	1		1	1	1		AR,B,E,ED,F,G IT,SA,SD,U,2G
			43451-MG3-000	ROD COMP., RR. BRAKE	1		1		1			SW CM SW
		9	43453-MC4-000	JOINT, BRAKE ARM	1	1	1	1	1	1		
		10	43459-434-000	NUT, BRAKE ADJUSTING	1	1	1	1	1	1		
	11	46500-MG2-000	PEDAL ASSY., BRAKE	1	1	1	1	1	1		AR,B,CM,E,ED,F IT,SA,SD,SW,U	

K 7



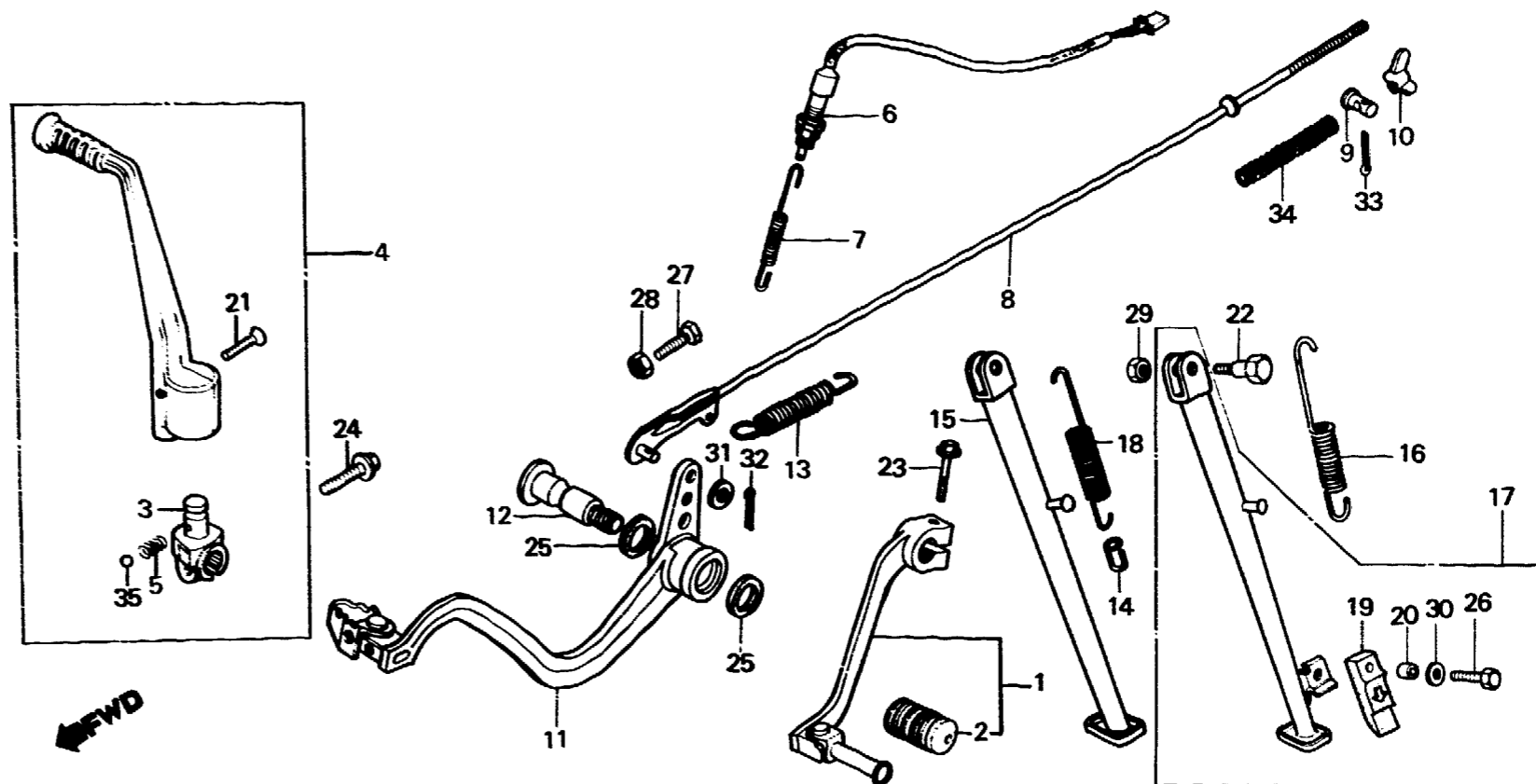
F-18

Brake pedal • Change pedal • Side stand

Pédale de frein • Pédale de changement • Bequille latéral

Bremspedal • Schaltpedal • Seitenständer

Pedal de freno • Pedal de cambio • Estante lateral



BMG2-52

Service item	F.R.T.	Ref. No.	Part No.	Description	Reqd. No. XL600					Serial No.	Area code
					Rd	Ld	Rf	Lf	Rf		
			46500-MG2-610	PEDAL ASSY., BRAKE	1						G,2G
		12	46513-MG3-000	SHAFT, BRAKE PIVOT	1	1	1	1	1	1	
		13	46514-MG3-000	SPRING, BRAKE PEDAL	1	1	1	1	1	1	
		14	50525-428-850	HOOK, SIDE STAND SPRING	1				1		G,2G
		15	50530-MG2-000	BAR, SIDE STAND	1	1		1		1	AR,B,E,F,IT,SA SD,U
		16	50535-429-000	SPRING, SIDE STAND	1	1	1	1	1	1	
		17	50540-MG2-670	BAR ASSY., SIDE STAND	1		1	1	1	1	CM,ED,G,SW AR,B,E,F,IT,SA SD,U,2G
		18	50542-438-000	SUB SPRING, SIDE STAND	1				1		G,2G
		19	50548-356-700	RUBBER, STAND	1		1	1	1	1	CM,ED,G,SW AR,B,E,F,IT,SA SD,U,2G
		20	50549-356-700	COLLAR, STAND RUBBER SETTING	1		1	1	1	1	CM,ED,G,SW AR,B,E,F,IT,SA SD,U,2G