

I 12



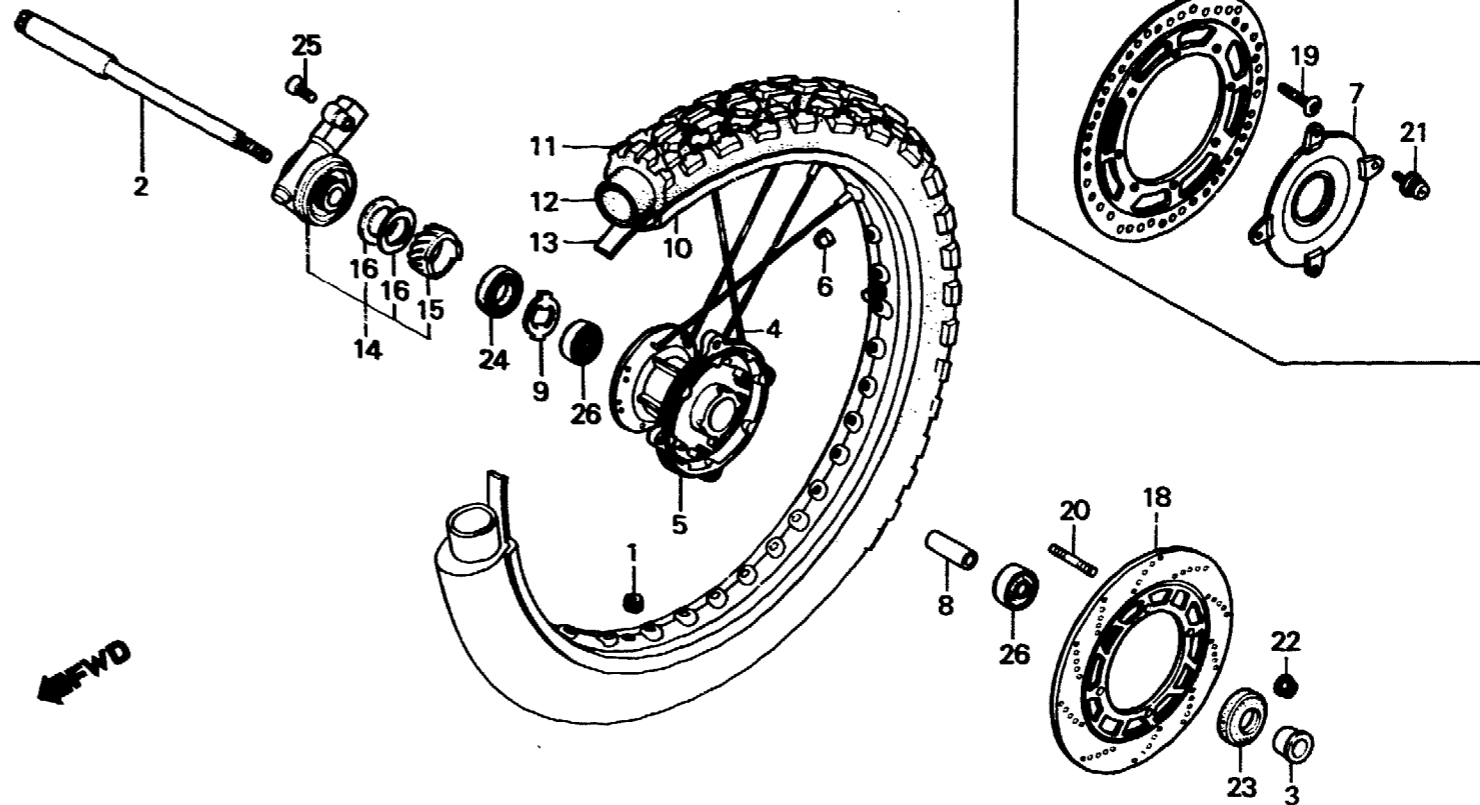
F-10

Front wheel

Roue avant

Vorderrad

Rueda delantera



BMG2-19A

Service item	F.R.T.	Ref. No.	Part No.	Description	Reqd. No. XL600						Serial No.	Area code
					Rd	Ld	Re	Le	Rf	Lf		
		16	44809-402-000	WASHER, SPEEDOMETER GEAR	2	2	2	2	2	2		
		17	45351-MG2-830	DISK, FR. BRAKE					1	1	1	
		18	45351-MG3-000	DISK, FR. BRAKE	1	1	1					
		19	90105-KA3-730	BOLT, FR. DISK, 6X17					4	4	4	
		20	90135-107-720	BOLT, STUD, 6X28	4	4	4					
		21	90204-KA3-730	SCREW-WASHER, 4X8					4	4	4	
		22	90301-473-003	NUT, U, 6MM	4	4	4					
		23	90755-229-003	OIL SEAL, 21X37X7 (ARAI)	1	1	1	1	1	1	1	
			90755-229-005	OIL SEAL, 21X37X7 (NIPPON)	1	1	1	1	1	1	1	
		24	91258-410-006	DUST SEAL, 40X50X5 (NIPPON)	1	1	1	1	1	1	1	
			91258-410-013	DUST SEAL, 40X50X5 (ARAI)	1	1	1	1	1	1	1	
		25	93700-05020-0A	SCREW, OVAL, 5X20	1	1	1	1	1	1	1	
		26	96140-62020-10	BEARING, RADIAL BALL, 6202U	2	2	2	2	2	2	2	

I 13

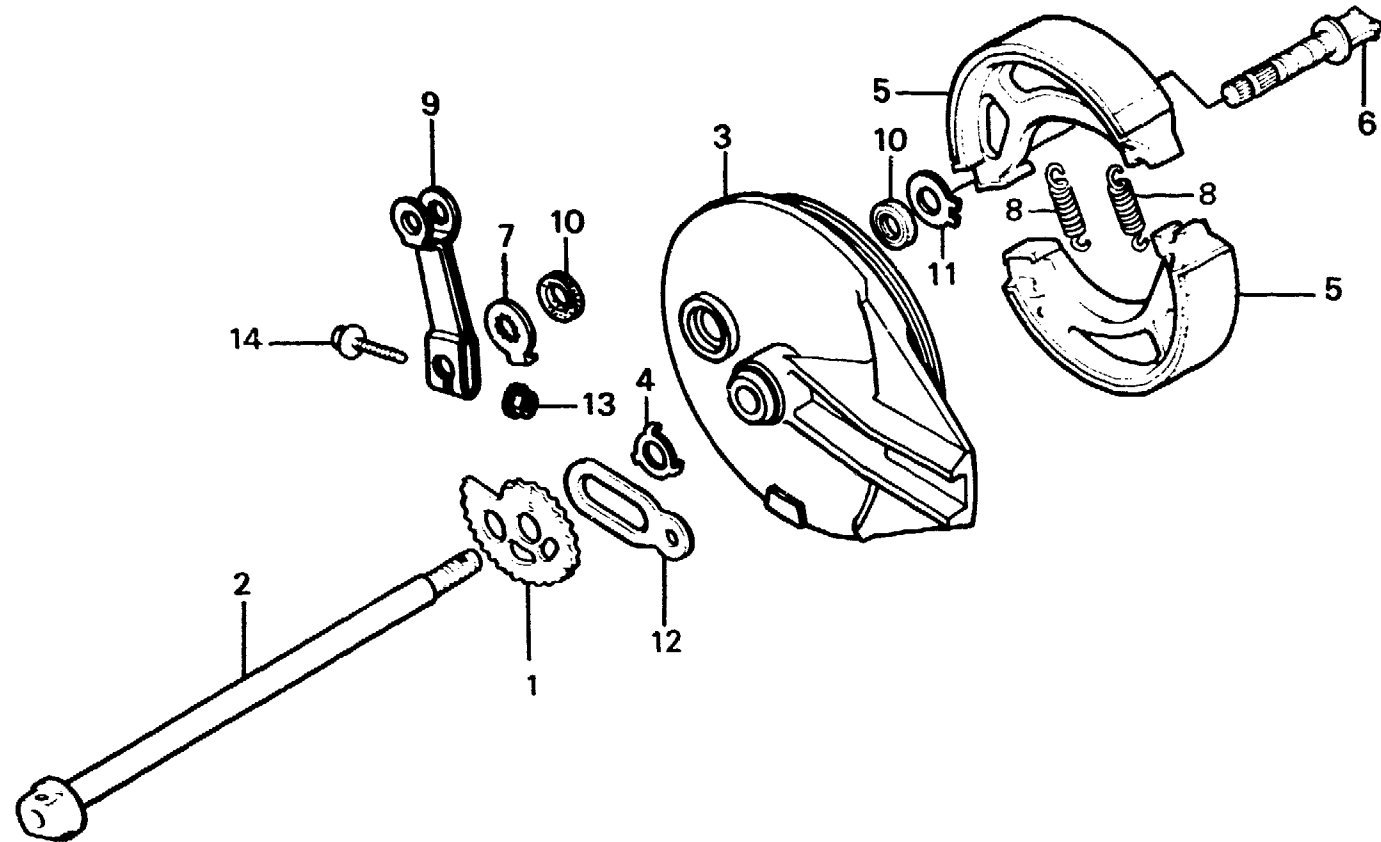
F-11

Rear brake panel

Plateau de frein arrière

Hinterradbremssankerplatte

Panel de freno trasero



FWD

BMG2-20

Service item	F.R.T.	Ref. No.	Part No.	Description	Reqd. No. XL600						Serial No.	Area code
					Rd	Ld	Re	Le	Rf	Lf		
AXLE, RR. WHEEL	0.3	1	40544-KF0-000	ADJUSTER, R. CHAIN	1	1	1	1	1	1		
PANEL COMP., RR. BRAKE (INC. RELATIVE PART)	0.5	2	42301-MG2-000	AXLE, RR. WHEEL	1	1	1	1	1	1		
SHOE COMP., RR. BRAKE (ONE OR ALL)	0.1	3	43100-MC4-000	PANEL COMP., RR. BRAKE	1	1	1	1	1	1		
ARM, RR. BRAKE		4	43104-MC4-000	WASHER, RR. BRAKE PANEL	1	1	1	1	1	1		
		5	43120-429-000	SHOE COMP., RR. BRAKE	2	2	2	2	2	2		
		6	43141-MC4-000	CAM, RR. BRAKE	1	1	1	1	1	1		
		7	43145-KB7-000	INDICATOR, RR. BRAKE	1	1	1	1	1	1		
		8	43151-329-000	SPRING, RR. BRAKE SHOE	2	2	2	2	2	2		
		9	43410-MG2-000	ARM, RR. BRAKE	1	1	1	1	1	1		
		10	45134-KB7-005	DUST SEAL, BRAKE CAM	2	2	2	2	2	2		
		11	45142-KB7-000	SEAT, FR. BRAKE CAM	1	1	1	1	1	1		
		12	52162-KF0-000	STOPPER, RR. AXLE	1	1	1	1	1	1		
		13	94050-06000	NUT, FLANGE, 6MM	1	1	1	1	1	1		
		14	96000-06032-00	BOLT, FLANGE, 6X32	1	1	1	1	1	1		

I 14

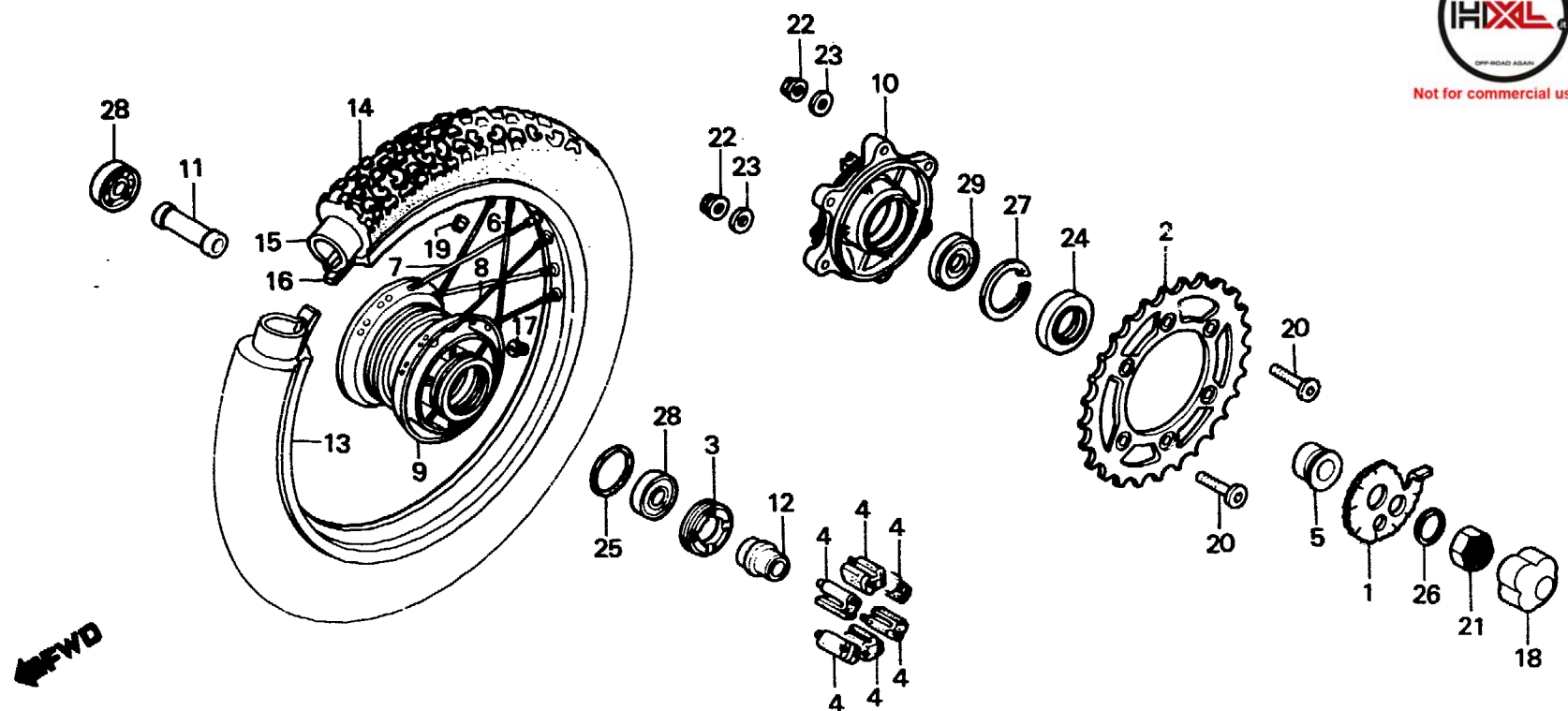
F-12

Rear wheel

Roue arrière

Hinterrad

Rueda trasera



BMG2-47A

Service item	F.R.T.	Ref. No.	Part No.	Description	Reqd. No. XL600						Serial No.	Area code
					Rd	Ld	RE	LE	Rf	Lf		
SPROCKET, FINAL DRIVEN	0.5	1	40545-KF0-000	ADJUSTER, L. CHAIN	1	1	1	1	1	1		
• COLLAR A, RR. AXLE DISTANCE		2	41201-MG2-000	SPROCKET, FINAL DRIVEN (41T)	1	1		1	1	1		AR,B,E,FD,F,G
• BEARING, RADIAL BALL, 6203 (ADD 0.1 FOR EACH.)												IT,SA,SD,U,2G
RETAINER, RR. WHEEL BEARING	0.4		41201-MG2-670	SPROCKET, FINAL DRIVEN (43T)	1		1		1			SW
• RUBBER, RR. WHEEL DAMPER (ONE OR ALL)		3	41231-MC4-000	SPROCKET, FINAL DRIVEN (39T)				1	1			CM
HUB COMP., RR. WHEEL	2.6	4	41241-MC4-000	RETAINER, RR. WHEEL BEARING	1	1	1	1	1	1		SW
FLANGE, FINAL DRIVEN	0.6	5	42312-MC4-000	RUBBER, RR. WHEEL DAMPER	6	6	6	6	6	6		
RIM, RR. WHEEL	2.3			COLLAR, RR. WHEEL	1	1	1	1	1	1		
TIRE, RR.	1.0	6	426A0-MG2-000	SPOKE SET (B9X160.5)	9	9	9		9			
• TUBE, TIRE			426A0-MG2-830	SPOKE SET (160.5MM) (L. INSIDE)				9		9		
		7	426B0-MG2-000	SPOKE SET (B9X153.5)	18	18	18		18			
			426B0-MG2-830	SPOKE SET (153.5MM) (R. SIDE)				18		18		
		8	426C0-MG2-000	SPOKE SET (B9X157.5)	9	9	9		9			
			426C0-MG2-830	SPOKE SET (157.5MM) (L. OUTSIDE)				9		9		

I 15

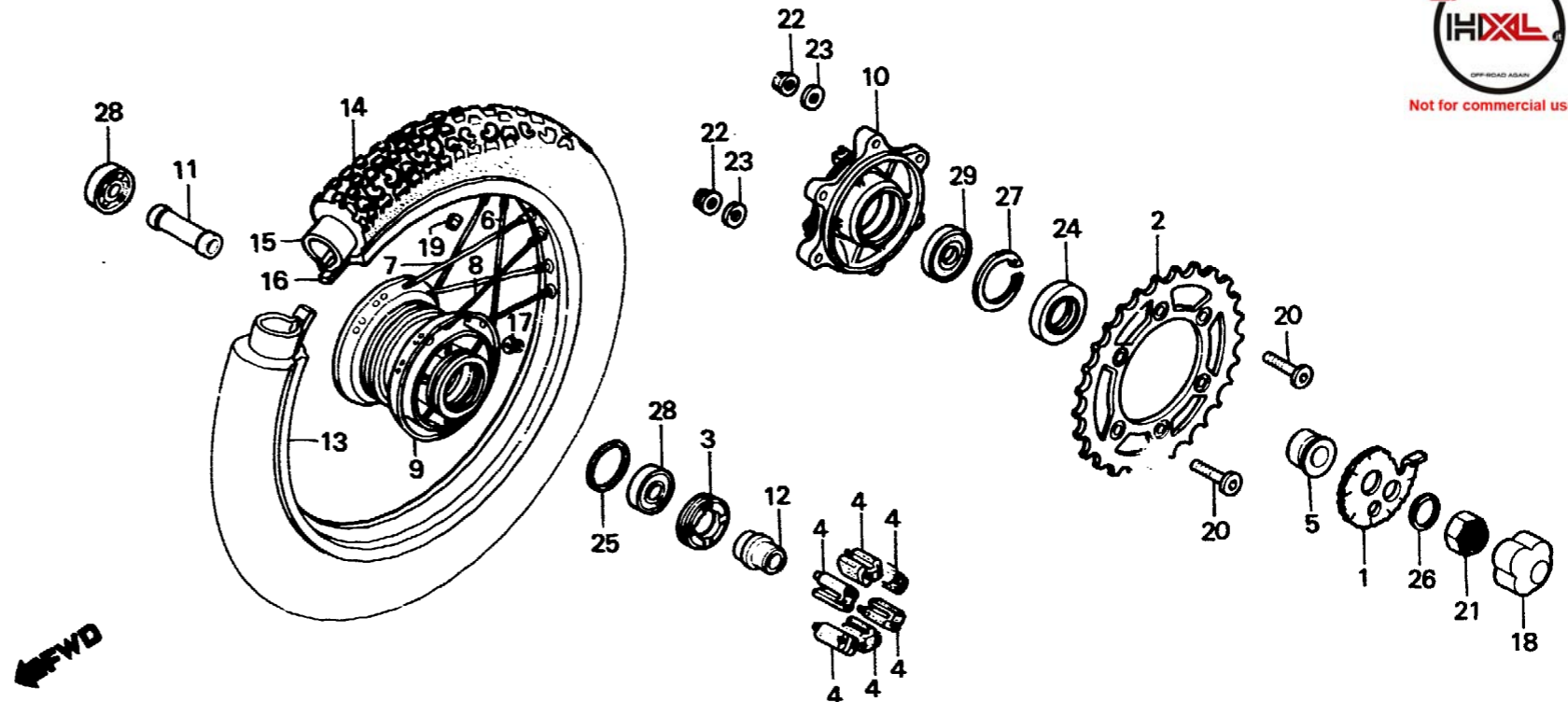
F-12

Rear wheel

Roue arrière

Hinterrad

Rueda trasera



BMG2-47A

Service item	F.R.T.	Ref. No.	Part No.	Description	Reqd. No. XL600						Serial No.	Area code
					Rd	Ld	RE	LE	Rf	Lf		
		9	42601-MG2-000	HUB COMP., RR. WHEEL	1	1	1	1	1	1		
		10	42611-MG2-000	FLANGE, FINAL DRIVEN	1	1	1	1	1	1		
		11	42620-MG2-000	COLLAR A, RR. AXLE DISTANCE	1	1	1	1	1	1		
		12	42625-MC4-000	COLLAR B, RR. AXLE DISTANCE	1	1	1	1	1	1		
		13	42701-MG2-003	RIM, RR. WHEEL	1	1	1					
			42701-MG2-831	RIM, RR. WHEEL				1				
		*	42701-MG2-013	RIM, RR. WHEEL					1			
		*	42701-MG2-832	RIM, RR. WHEEL						1		
		14	42711-MG2-003	TIRE, RR. (BS)	1	1						B,E,ED,F,G,IT SA,SD,SW,U
			42711-MG2-004	TIRE, RR. (DUNLOP)	1	1		1	1	1		AR,B,E,ED,F,G IT,SA,SD,SW,U
			42711-MG2-013	TIRE, RR. (BS)	1				1			2G AR,2G
			42711-MG2-671	TIRE, RR. (BS)	1				1	1	1	B,E,ED,F,G,IT SA,SD,SW,U
			42711-MG2-672	TIRE, RR. (DUNLOP)	1		1		1			CM CM

I 16

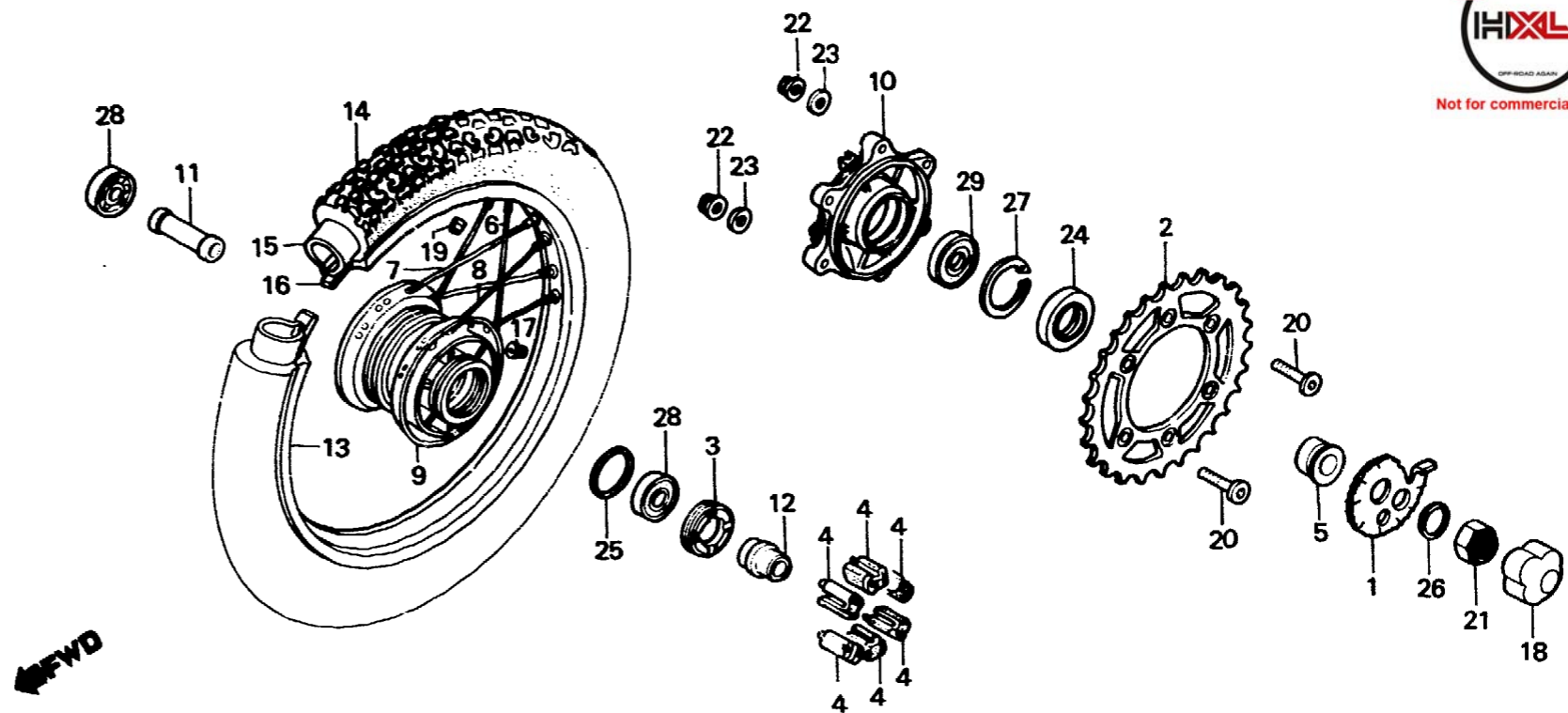
F-12

Rear wheel

Roue arrière

Hinterrad

Rueda trasera



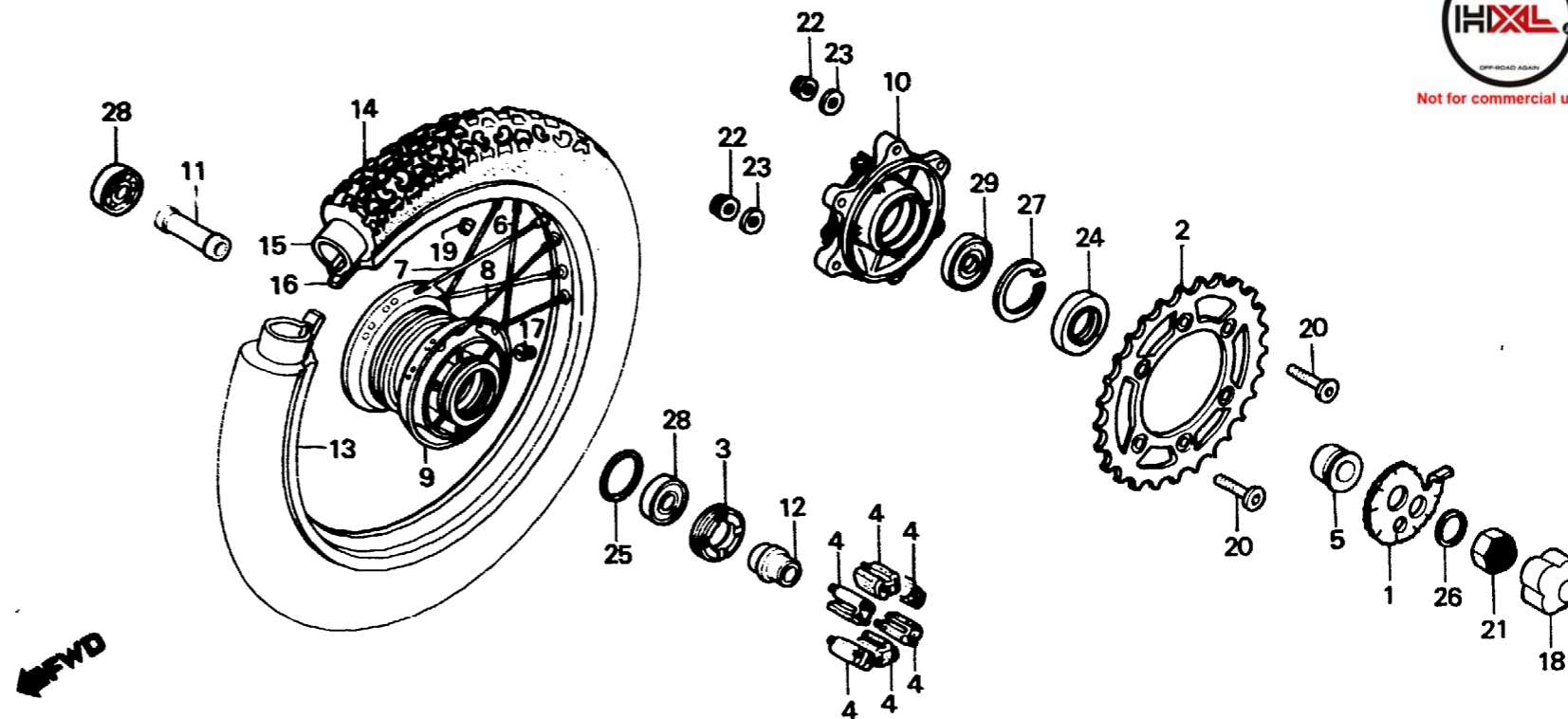
BMG2-47A

Service item	F.R.T.	Ref. No.	Part No.	Description	Reqd. No. XL600						Serial No.	Area code
					Rd	Ld	Re	Le	Rf	Lf		
			42711-MG2-673	TIRE, RR. (BS)			1		1			CM
		15	42712-371-003	TUBE, TIRE (4.50-17 BS)	1	1	1	1	1	1		
			42712-371-004	TUBE, TIRE (4.50-17 DUNLOP)	1	1	1	1	1	1		
		16	42713-425-771	FLAP, TIRE (2.15X17 BS)	1	1	1	1	1	1		
			42713-425-772	FLAP, TIRE (2.50-17 DUMLOP)	1	1	1	1	1	1		
		17	42717-329-000	CAP, RIM HOLE	1	1	1	1	1	1		
		18	44302-386-610	CAP, AXLE NUT	1				1			G,2G
		*19	44606-283-000	BALANCER (20G)					N	N		
		20	90128-MG2-000	BOLT, SPROCKET FIXING	6	6	6	6	6	6		
		21	90305-MA0-003	NUT, AXLE, 16MM	1	1	1	1	1	1		
		22	90309-KF0-003	NUT, FLANGE, 8MM	6	6	6	6	6	6		
		23	90465-MC4-000	WASHER, 8MM	6	6	6	6	6	6		
		24	91252-MC4-003	OIL SEAL, 28X47.2X7 (ARAI)	1	1	1	1	1	1		

J 1

F-12

Rear wheel
Roue arrière
Hinterrad
Rueda trasera



BMG2-47A

Service item	F.R.T.	Ref. No.	Part No.	Description	Reqd. No. XL600						Serial No.	Area code
					Rd	Ld	RE	LE	Rf	Lf		
			91252-MC4-005	OIL SEAL, 28X47.2X7 (NIPPON)	1	1	1	1	1	1		
		25	91302-317-700	O-RING, 54X2	1	1	1	1	1	1		
		26	94111-16000	WASHER, SPRING, 16MM	1	1	1	1	1	1		
		27	94520-47000	CIRCLIP, INTERNAL, 47MM	1	1	1	1	1	1		
		28	96140-62030-10	BEARING, RADIAL BALL, 6203	2	2	2	2	2	2		
		29	96140-62040-10	BEARING, RADIAL BALL, 6204U	1	1	1	1	1	1		

J 2

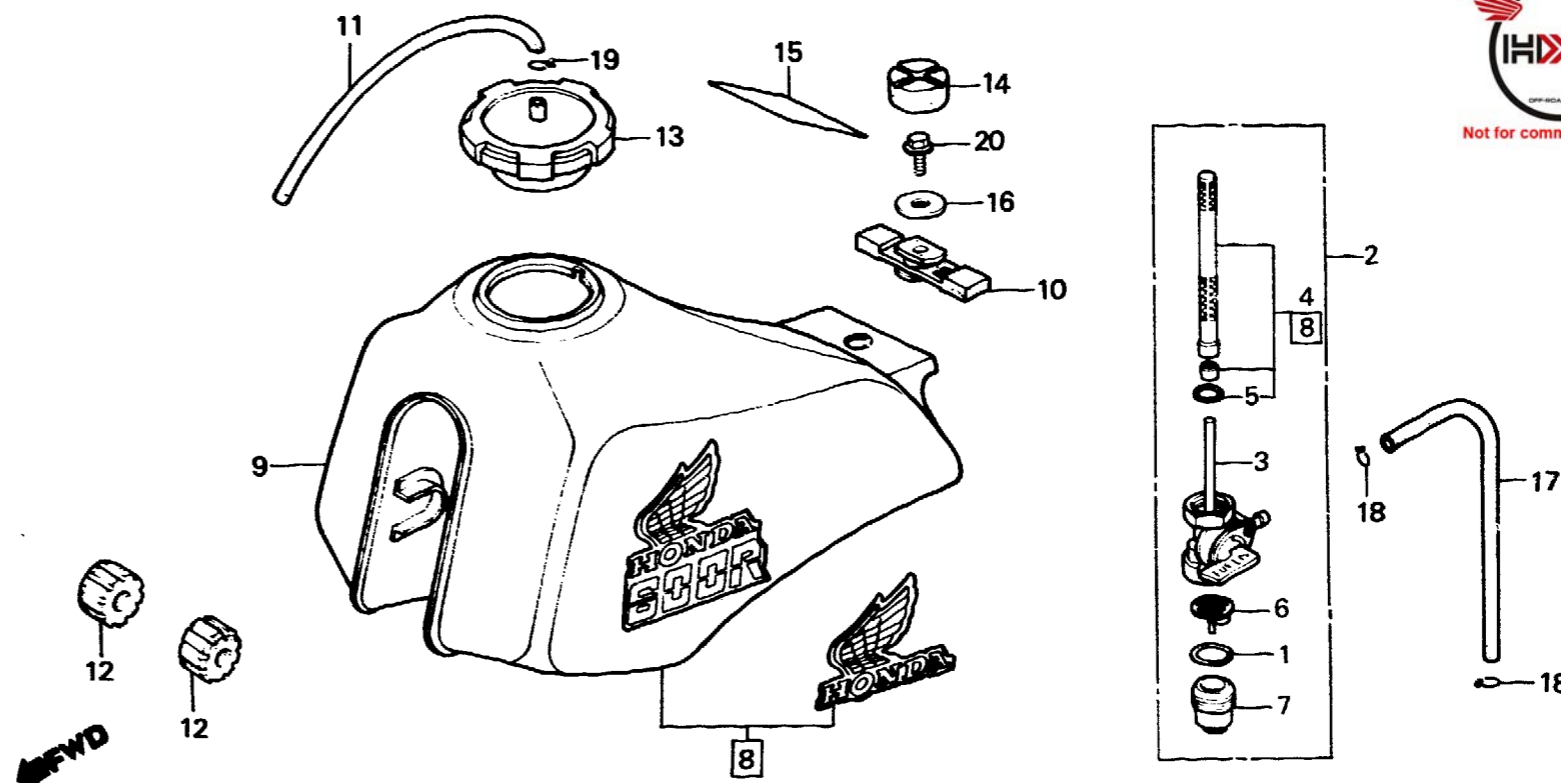
F-13

**Fuel tank
(XL600Rd • RE • Rf)**

**Réservoir d'essence
(XL600Rd • RE • Rf)**

**Benzintank
(XL600Rd • RE • Rf)**

**Tanque de combustible
(XL600Rd • RE • Rf)**



BMG2-48A

Service item	F.R.T.	Ref. No.	Part No.	Description	Reqd. No.					Serial No.	Area code
					Rd	Ld	RE	LE	Rf		
COCK ASSY., FUEL	0.2	1	16173-001-004	PACKING, FUEL STRAINER CUP	1		1		1		
• BODY COMP., COCK		2	16950-MG2-005	COCK ASSY., FUEL	1		1		1		
• SCREEN SET, FUEL STRAINER		3	16951-KB7-005	BODY COMP., COCK	1		1		1		
• TANK SET, FUEL		4	16952-MG2-005	SCREEN SET, FUEL STRAINER	1		1		1		
FILTER, CUP	0.1	5	16958-MA1-731	O-RING	1		1		1		
(INC. RELATIVE PART)		6	16959-471-831	FILTER, CUP	1		1		1		
		7	16967-MA2-771	CUP, FUEL STRAINER	1		1		1		
		8	175A1-MG2-000ZA	TANK SET, FUEL *R-110*	1		1				CM
			175A1-MG2-600ZB	TANK SET, FUEL *NH-111*	1						AR,B,E,ED,F,G IT,SA,SD,SW,U
			175A1-MG2-600ZC	TANK SET, FUEL *NH-1*	1						AR,B,E,ED,F,G IT,SA,SD,SW,U
		* 9	175A1-MG2-890ZA	TANK SET, FUEL *NH-138*					1		AR,B,E,ED,G IT,SA,SD,SW,U 2G

J 3

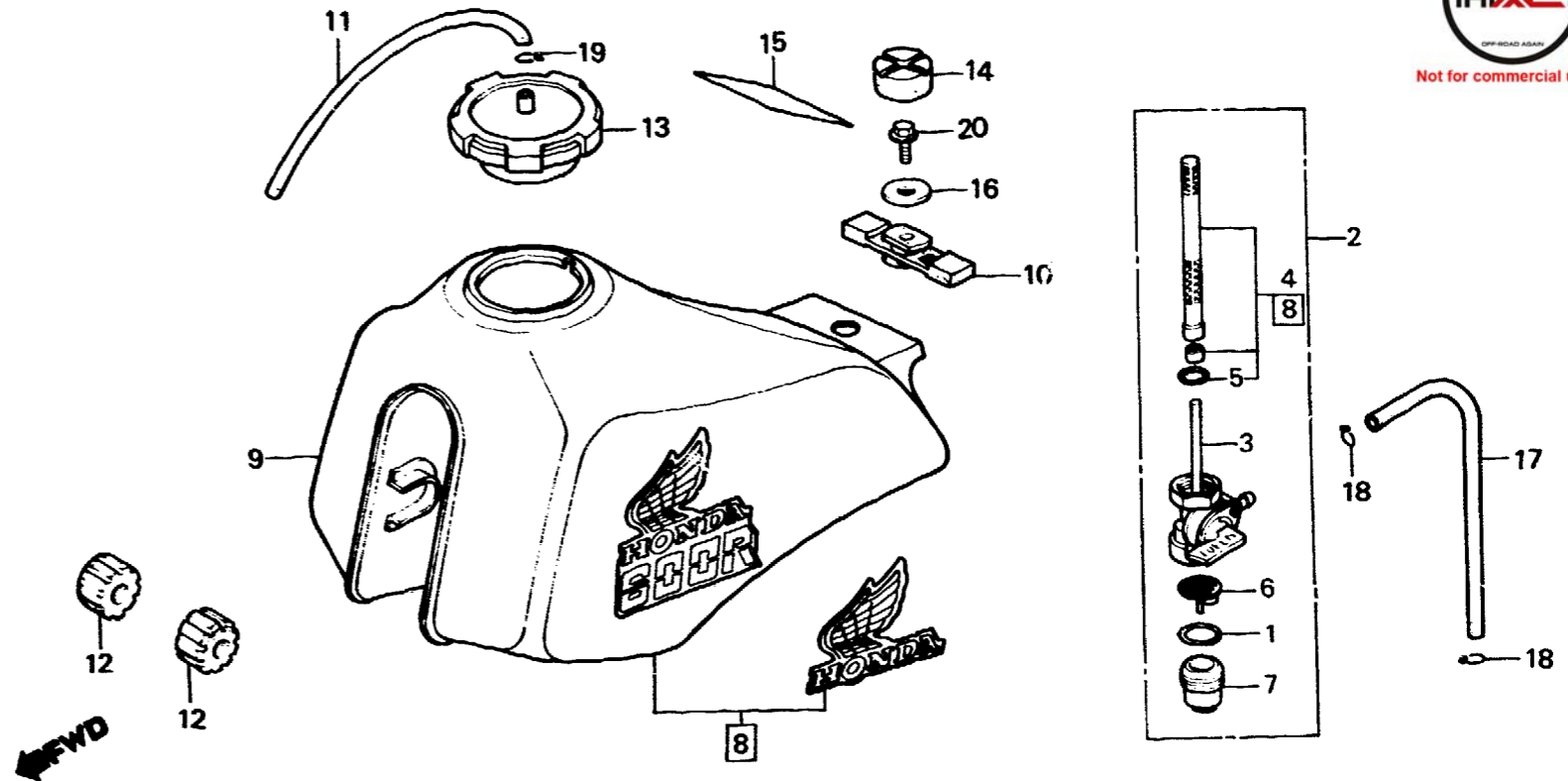
F-13

**Fuel tank
(XL600Rd • RE • RF)**

**Réservoir d'essence
(XL600Rd • RE • RF)**

**Benzintank
(XL600Rd • RE • RF)**

**Tanque de combustible
(XL600Rd • RE • RF)**



BMG2-48A

Service item	F.R.T.	Ref. No.	Part No.	Description	Reqd. No. XL600						Serial No.	Area code
					Rd	Ld	RE	LE	Rf	Lf		
*			175B1-MG2-890ZA	TANK SET, FUEL *R-134*						1		AR,B,E,ED,G IT,SA,SD,SW,U 2G
*			175B1-MG2-890ZB	TANK SET, FUEL *NH-1*						1		AR,B,E,ED,G IT,SA,SD,SW,U 2G
*			175A1-MG2-790ZA	TANK SET, FUEL *NH-138*						1		F
*			175B1-MG2-790ZA	TANK SET, FUEL *R-134*						1		F
*			175B1-MG2-790ZB	TANK SET, FUEL *NH-1*						1		F
*			17500-MG2-890ZA	TANK SET, FUEL *R-119*						1		CM
10			17503-KG0-000	RUBBER, FUEL TANK RR.		1				1		
11			17521-429-000	TUBE, FUEL CAP BREATHER		1				1		
12			17611-MG2-000	CUSHION, FUEL TANK FR.		2				2		

J 4

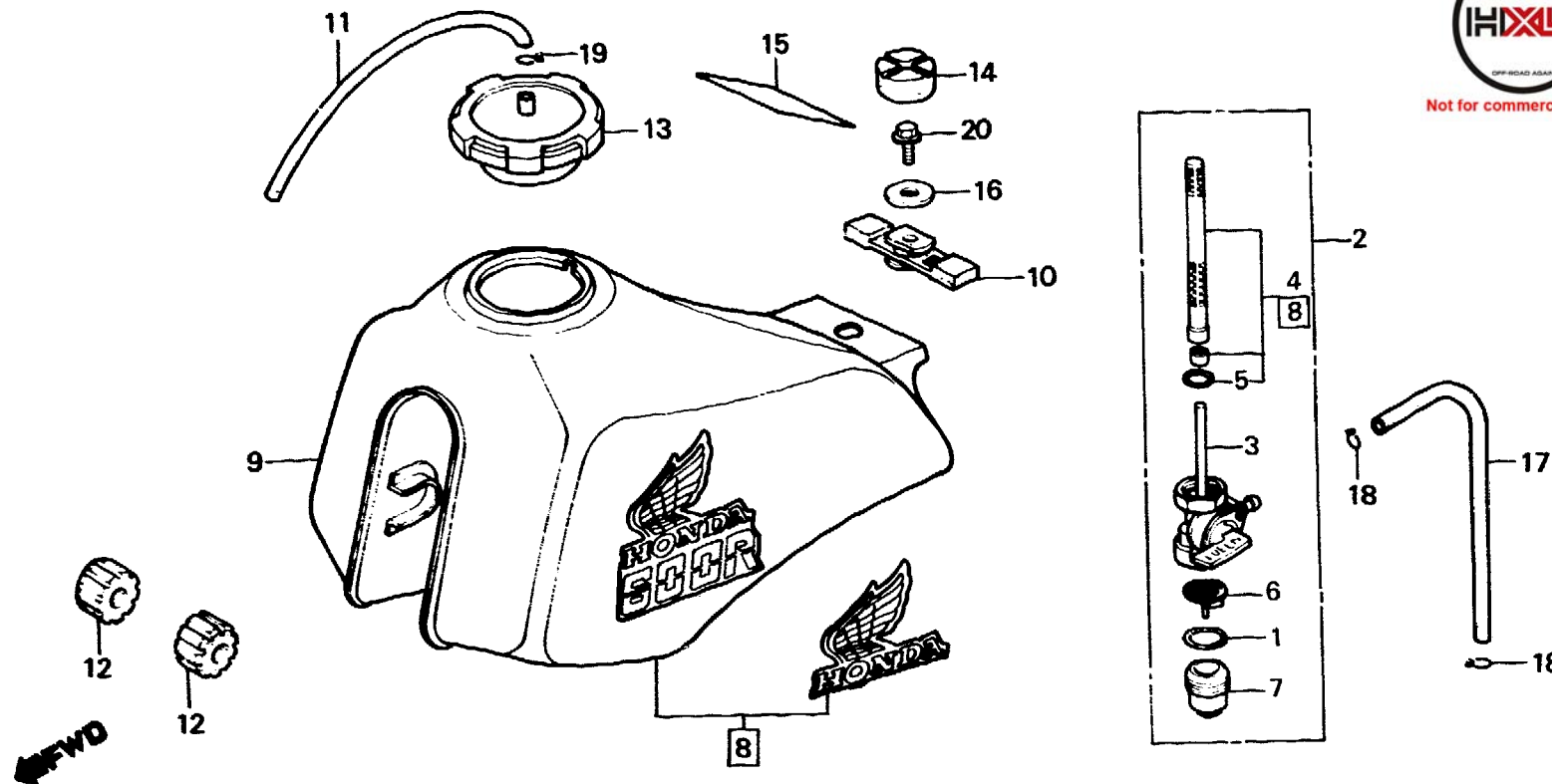
F-13

**Fuel tank
(XL600Rd • RE • Rf)**

**Réservoir d'essence
(XL600Rd • RE • Rf)**

**Benzintank
(XL600Rd • RE • Rf)**

**Tanque de combustible
(XL600Rd • RE • Rf)**



BMG2-48A

Service item	F.R.T.	Ref. No.	Part No.	Description	Reqd. No.						Serial No.	Area code
					Rd	Ld	RE	LE	Rf	Lf		
		13	17620-KE1-003	CAP COMP., FUEL FILLER	1		1		1			
		14	77202-MG2-000	RUBBER, FR. SEAT SETTING	1		1		1			
		15	87560-KB1-620ZA	MARK, DRIVE CAUTION *NH-0*	1							F
				(FRENCH)								
			87560-KB1-620ZB	MARK, DRIVE CAUTION *NH-1*	1							F
				(FRENCH)								
			87560-181-760ZA	MARK, DRIVE CAUTION *NH-1*	1		1					AR,B,CM,E,ED,G IT,SA,SD,SW,U
			87560-181-760ZB	MARK, DRIVE CAUTION *NH-0*	1							AR,B,E,ED,G,IT SA,SD,SW,U CM
					1		1		1			

J 5

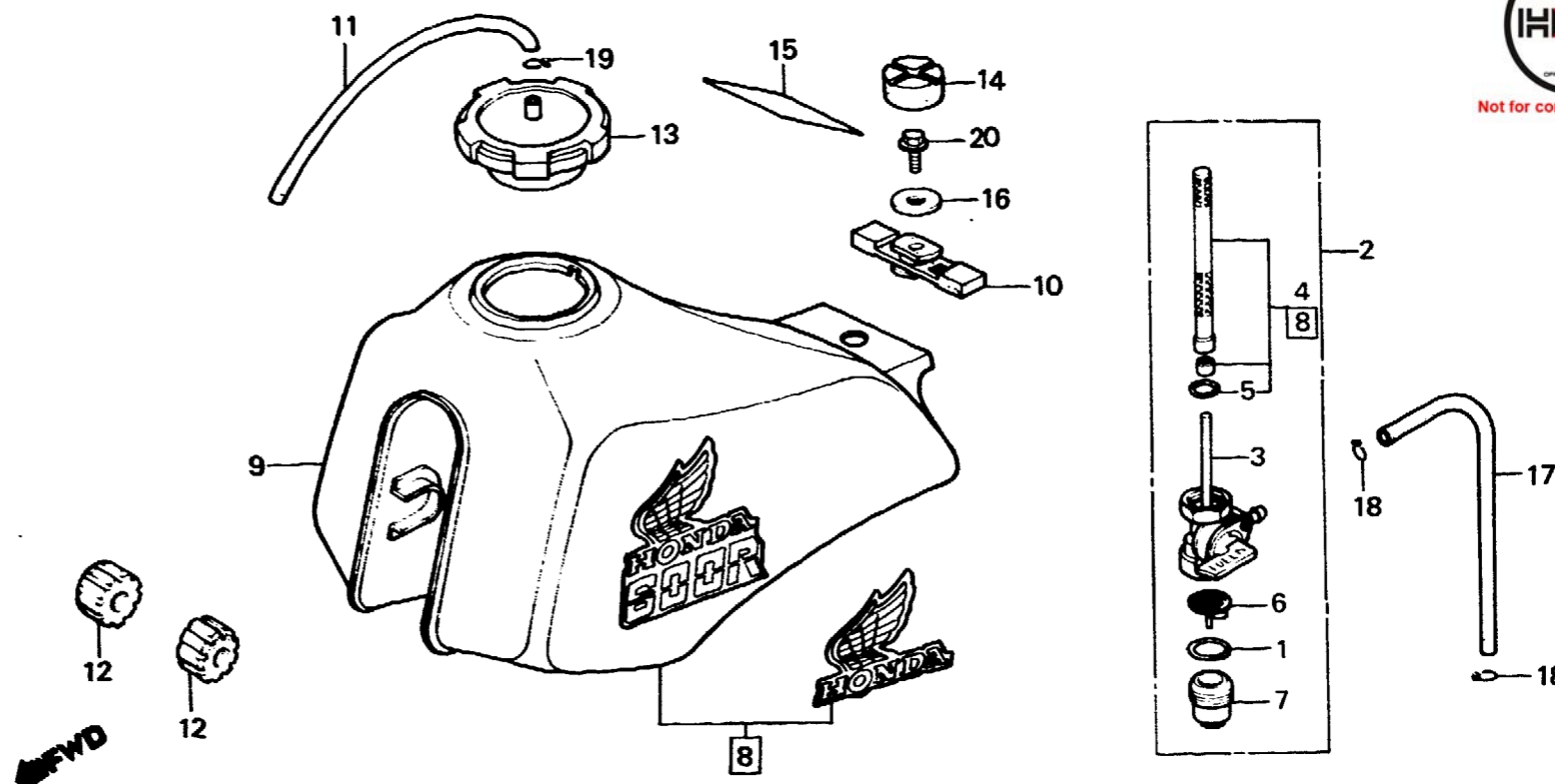
F-13

**Fuel tank
(XL600Rd • RE • Rf)**

**Réservoir d'essence
(XL600Rd • RE • Rf)**

**Benzintank
(XL600Rd • RE • Rf)**

**Tanque de combustible
(XL600Rd • RE • Rf)**



BMG2-48A

Service item	F.R.T.	Ref. No.	Part No.	Description	Reqd. No. XL600						Serial No.	Area code
					Rd	Ld	RE	LE	Rf	Lf		
		16	90136-428-870	WASHER, TANK SETTING	1		1			1		
		17	95001-55070-40	TUBE, FUEL, 5.3X70	1		1			1		
		18	95002-02100	CLIP B10, TUBE	2		2			2		
		19	95002-50000	CLIP C9, TUBE	1		1			1		
		20	95700-06012-00	BOLT, FLANGE, 6X12	1		1			1		

J 6

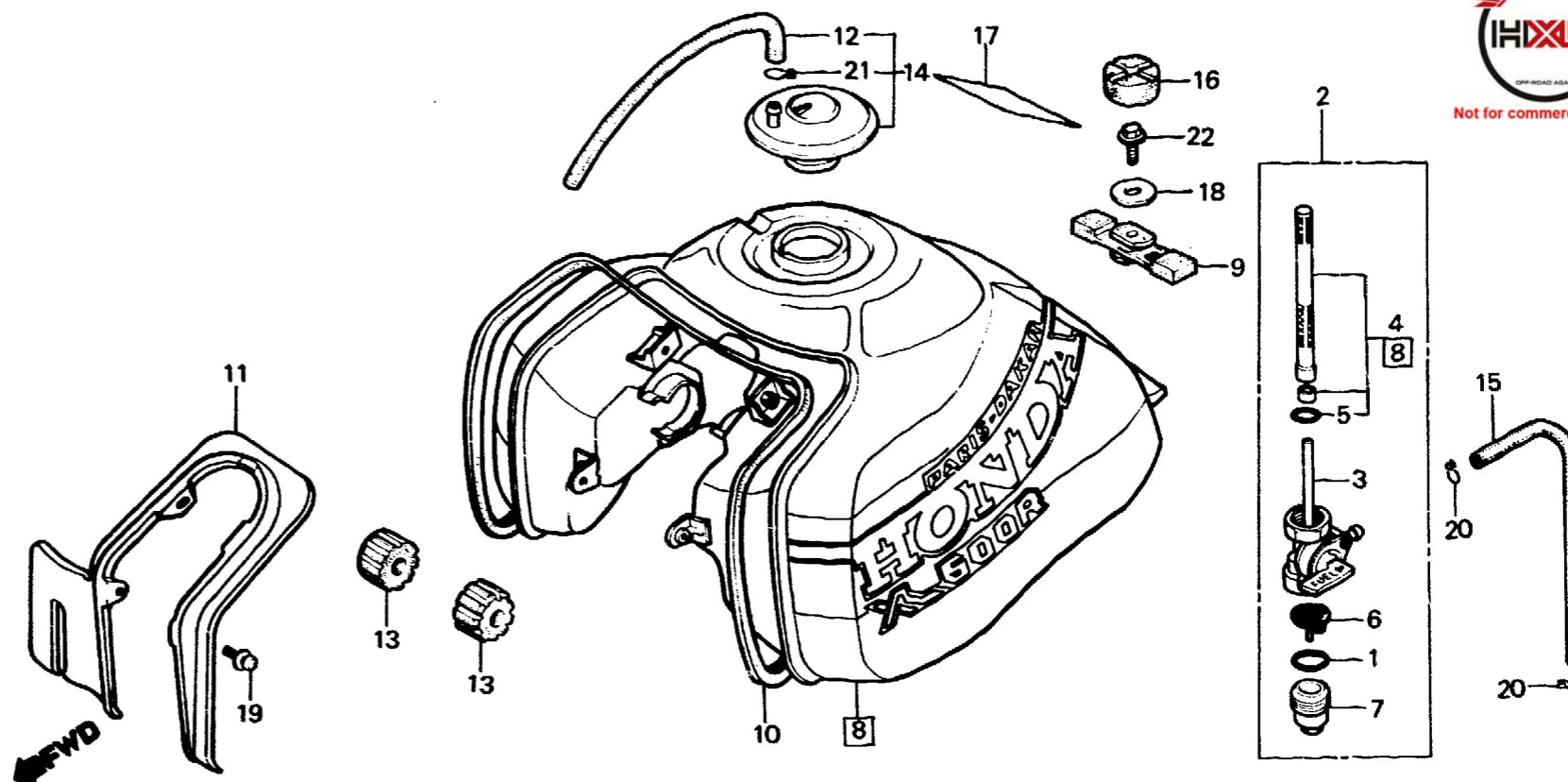
F-13-1

**Fuel tank
(XL600Ld • LE • LF)**

**Réservoir d'essence
(XL600Ld • LE • LF)**

**Benzintank
(XL600Ld • LE • LF)**

**Tanque de combustible
(XL600Ld • LE • LF)**



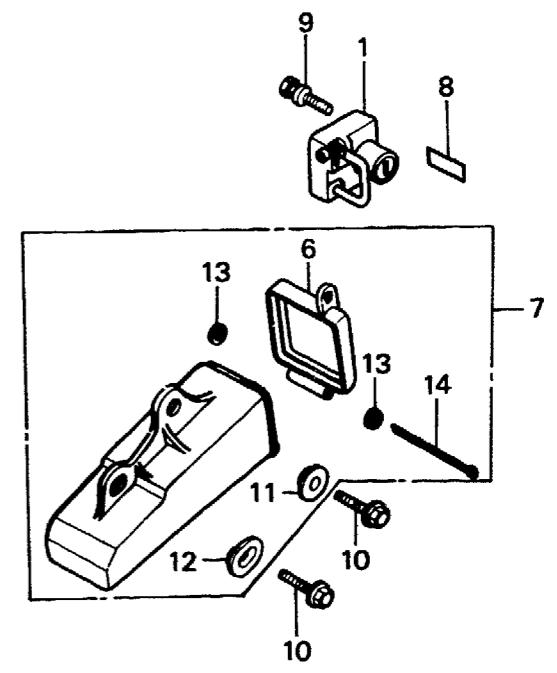
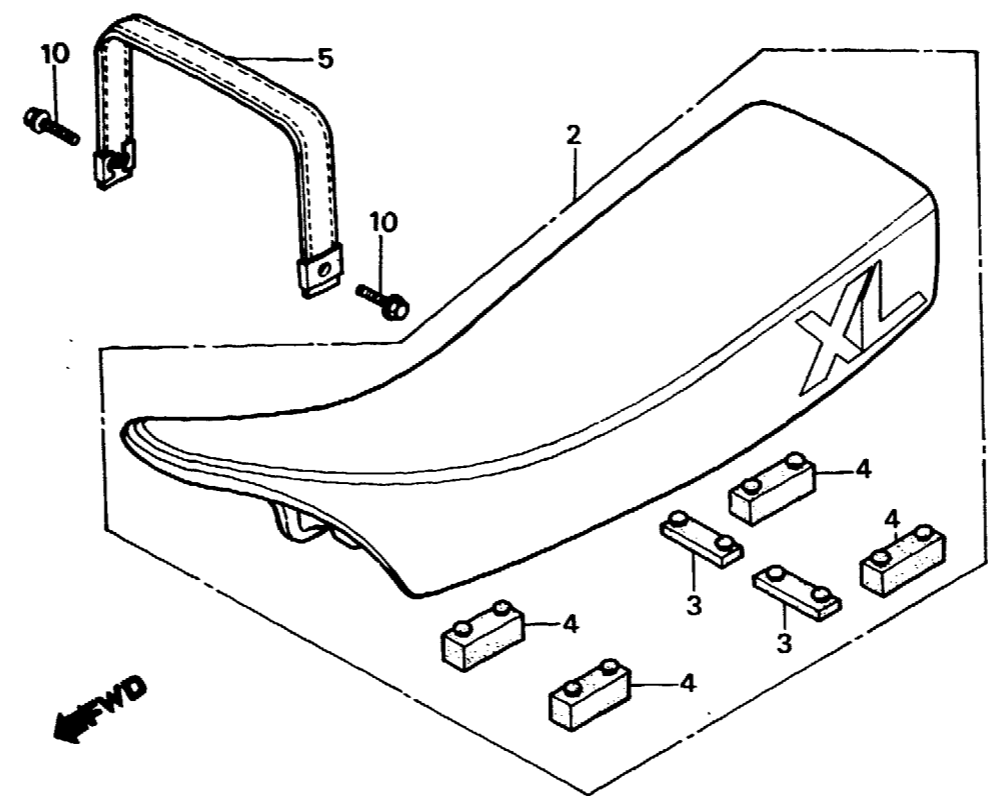
BMG2-49A

Service item	F.R.T.	Ref. No.	Part No.	Description	Reqd. No.						Serial No.	Area code
					Rd	Ld	RE	LE	Rf	Lf		
COCK ASSY., FUEL	0.2	1	16173-001-004	PACKING, FUEL STRAINER CUP		1						
BODY COMP., COCK		2	16950-MG2-005	COCK ASSY., FUEL		1						
SCREEN SET, FUEL STRAINER		3	16951-KB7-005	BODY COMP., COCK		1						
FILTER, CUP	0.1	4	16952-MG2-005	SCREEN SET, FUEL STRAINER		1						
(INC. RELATIVE PART)		5	16958-MA1-731	O-RING		1						
TANK SET FUEL	0.3	6	16959-471-831	FILTER, CUP		1						
		7	16967-MA2-771	CUP, FUEL STRAINER		1						
		8	175A1-MG2-730	TANK SET, FUEL		1						
			175A1-MG2-830ZA	TANK SET, FUEL *R-119*			1					
		9	17503-KG0-000	RUBBER, FUEL TANK RR.		1						
		10	17516-MG2-730	TRIM, FUEL TANK		1						
		11	17521-MG2-730	COVER, FUEL TANK FR.		1						
		12	17521-429-000	TUBE, FUEL CAP BREATHER		1						

J 8

F-14

Seat
Siege
Sitz
Asiento



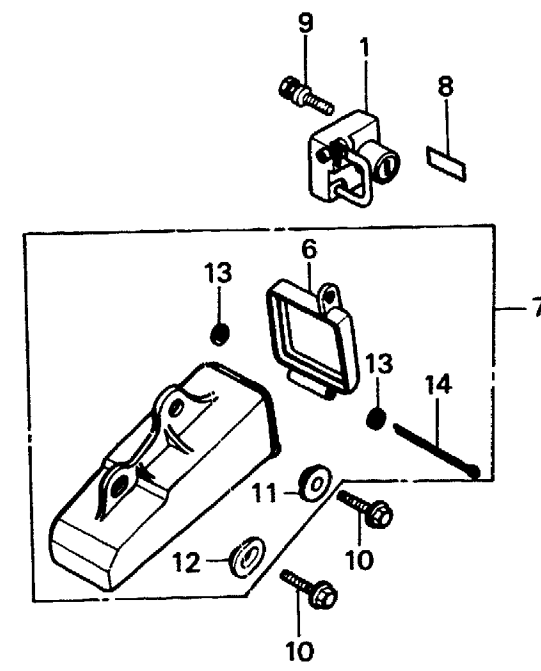
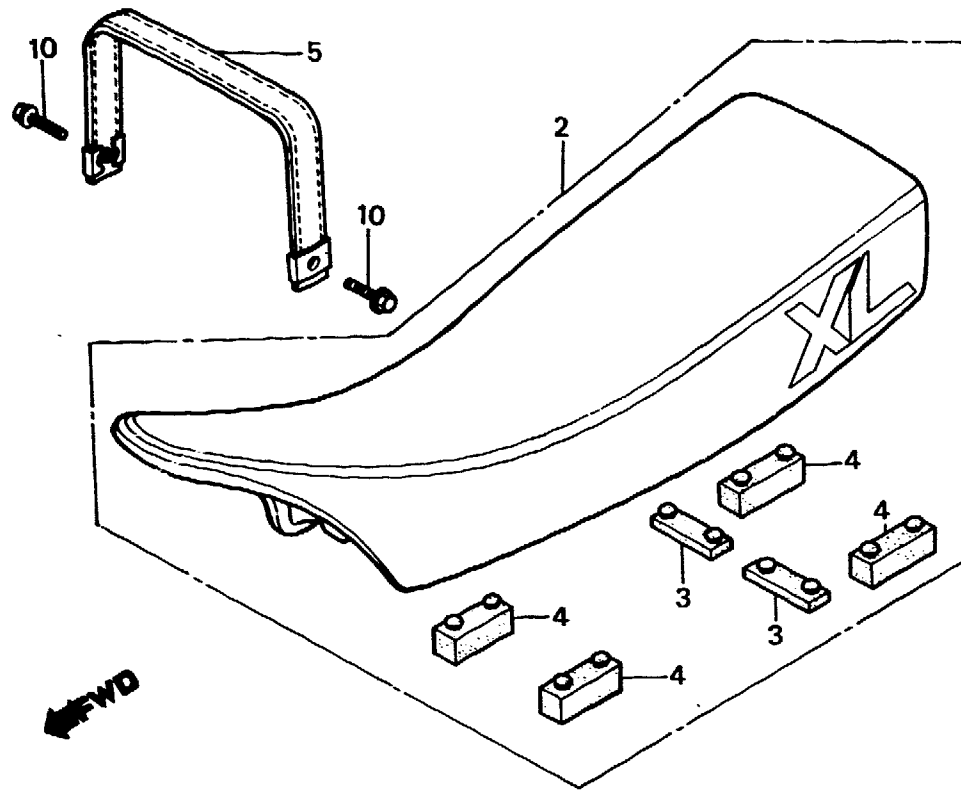
BMG2-22

Service item	F.R.T.	Ref. No.	Part No.	Description	Reqd. No.						Serial No.	Area code
					Rd	Ld	XL600 RE	LE	Rf	Lf		
HOLDER ASSY., HELMET SEAT ASSY., DOUBLE •BELT COMP., SEAT •BOX ASSY., TOOL	0.2 0.1	1	50710-MG2-003	HOLDER ASSY., HELMET	1	1	1	1	1	1	AR,B,CM,E,F,IT SA,SW,U	
			50710-MG2-611	HOLDER ASSY., HELMET	1			1			ED	
		2	77200-MG2-600	SEAT ASSY., DOUBLE	1				1		G,SD,2G	
			77200-MG2-670	SEAT ASSY., DOUBLE	1						AR,B,E,ED,F,G	
			77200-MG2-730	SEAT ASSY., DOUBLE		1					IT,SA,SD,SW,U	
			77200-MG2-830	SEAT ASSY., DOUBLE				1		1	CM	
			77200-MG2-870	SEAT ASSY., DOUBLE				1			CM	
			* 77200-MG2-890	SEAT ASSY., DOUBLE						1	AR,B,E,ED,F,G	
			* 77200-MG2-710ZA	SEAT ASSY., DOUBLE *TYPE 1*						1	IT,SA,SD,SW,U	
			* 77200-MG2-710ZB	SEAT ASSY., DOUBLE *TYPE 2*						1	2G	
		3	77204-312-000	RUBBER, SEAT SETTING	2	2	2	2	2	2	IT,SA,SD,SW,U	

J 9

F-14

Seat
Siege
Sitz
Asiento



BMG2-22

Service item	F.R.T.	Ref. No.	Part No.	Description	Reqd. No. XL600						Serial No.	Area code
					Rd	Ld	RE	LE	Rf	Lf		
		4	77205-MG2-000	RUBBER A, SEAT SETTING	4	4	4	4	4	4		
		5	77210-MG2-670	BELT COMP., SEAT	1	1	1					
		*	77210-MG2-830	BELT COMP., SEAT				1		1		
		*	77210-MG2-890ZA	BELT, SEAT *TYPE 1*					1			
		*	77210-MG2-890ZB	BELT, SEAT *TYPE 2*					1			AR,B,E,ED,F,G IT,SA,SD,SW,U 2G
		6	83504-MG2-000	CAP, TOOL BOX	1	1	1	1	1	1		
		7	83510-MG2-000	BOX ASSY., TOOL	1	1	1	1	1	1		
		* 8	87511-323-670	LABEL, HELMET HOLDER	1	1	1	1	1	1		AR,B,CM,E,ED,G IT,SA,SD,SW,U 2G CM,F
		*	87511-415-620	LABEL, HELMET HOLDER (FRENCH)	1	1	1	1	1	1		
		9	90107-428-000	BOLT B, SPECIAL, 6MM	2	2	2	2	2	2		
		10	90172-MG3-000	BOLT, FLANGE, 6X16	4	4	4	4	4	4		
		11	90512-300-000	WASHER, 6X20	1	1	1	1	1	1		
		12	90513-323-000	WASHER, 6X9	1	1	1	1	1	1		