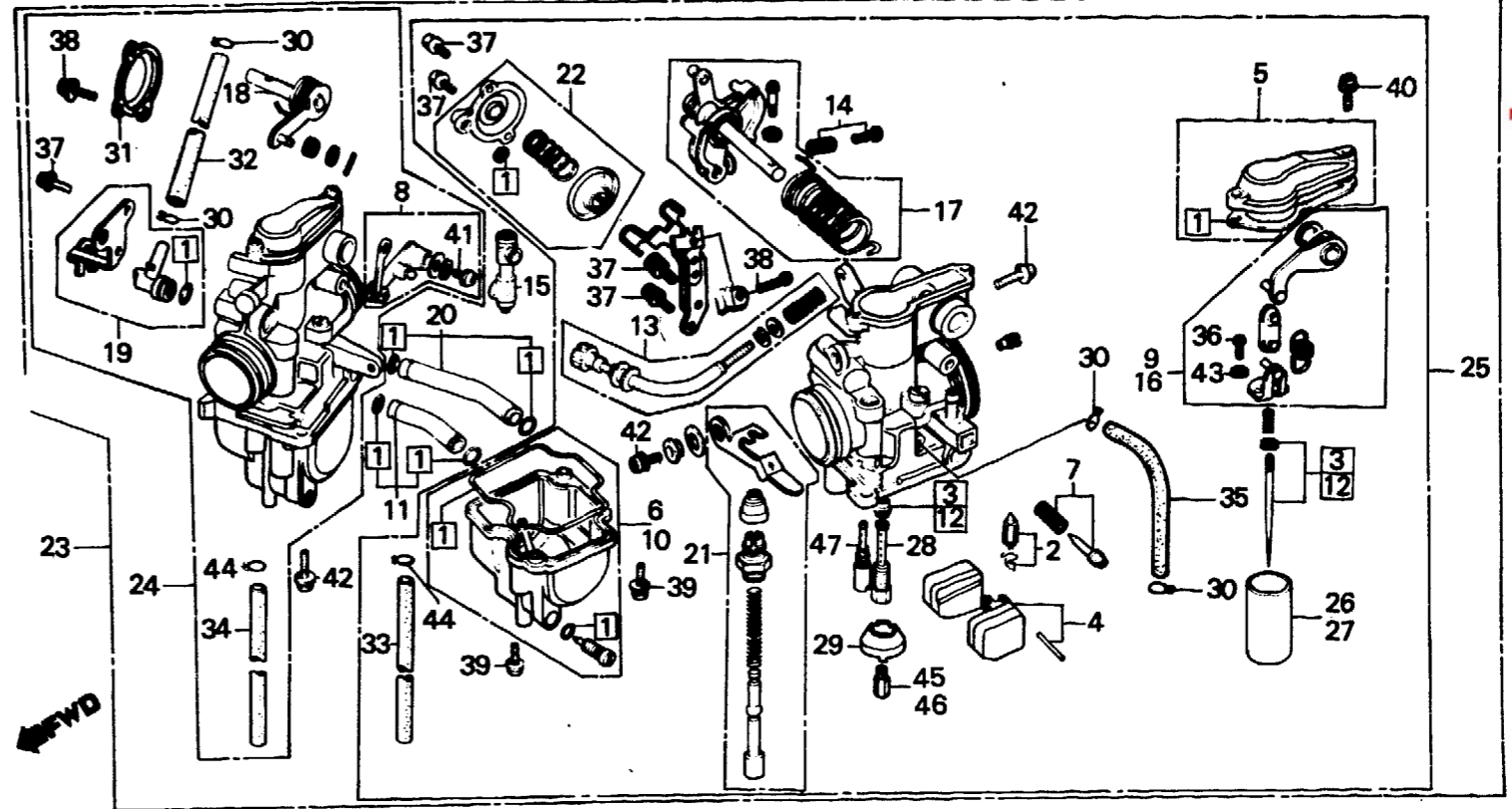


E 11

E-16

Carburetor
 Carburateur
 Vergaser
 Carburador



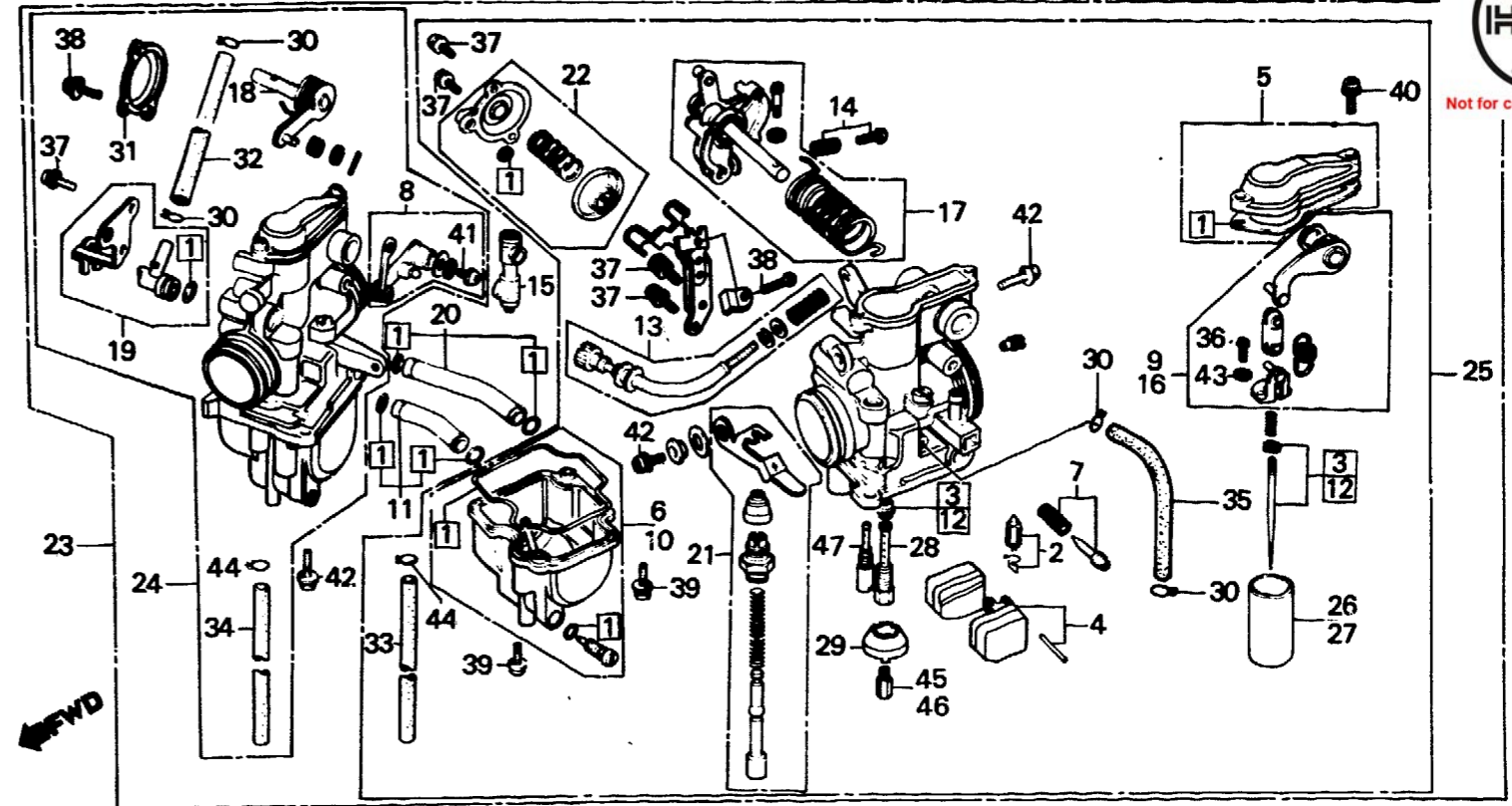
BMG2-61A

Service item	F.R.T.	Ref. No.	Part No.	Description	Reqd. No. XL600						Serial No.	Area code
					Rd	Ld	RE	LE	Rf	Lf		
		5	16014-MG3-004	TOP SET	2	2		2				AR,B,CM,E,ED,F G,IT,SA,SD,U SW
			16014-MG2-601	TOP SET	2			2	2	2		AR,B,CM,E,ED,F IT,SA,SD,U,1G 2G SW
		6	16015-MG2-004	CHAMBER SET, FLOAT	2	2	2	2				
		*	16015-MG2-891	CHAMBER SET, FLOAT (PRI)					1	1		
		7	16016-MG2-004	SCREW SET	2	2		2				CM,U AR,B,E,ED,F,G IT,SA,SD SW
			16016-MG3-004	SCREW SET	2	2		2				
					2			1				SW
			16016-393-700	SCREW SET A				1				
		*	16016-402-004	SCREW SET A					1	1		
		8	16017-KFO-004	LEVER SET, LINK	1	1	1	1	1	1		
		9	16018-MG3-004	ARM SET A, LINK	1	1	1	1				
		*10	16023-MG2-891	CHAMBER SET, FLOAT					1	1		

E 12

E-16

Carburetor
 Carburateur
 Vergaser
 Carburador



BMG2-61A

Service item	F.R.T.	Ref. No.	Part No.	Description	Reqd. No.						Serial No.	Area code
					Rd	Ld	RE	LE	Rf	Lf		
		11	16026-KF0-004	JOINT SET, FUEL	1	1	1	1	1	1		
		12	16027-MG2-004	NEEDLE SET, JET	1							CM,U
			16027-MG2-601	NEEDLE SET, JET	1	1		1				AR,B,E,ED,F,G IT,SA,SD SW
					1			1				SW
		*	16027-MG2-761	NEEDLE SET, SECONDARY JET				1				AR,B,E,ED,F,IT SA,SD,SW,U,1G 2G CM
		*	16027-MG2-701	NEEDLE SET, SECONDARY JET					1	1		
		*	16027-MG2-871	NEEDLE SET, SECONDARY JET						1		
		13	16028-KF0-004	SCREW SET	1	1	1	1	1	1		
		14	16029-KF0-004	SCREW SET	1	1	1	1				
		*	16029-KG0-004	SCREW SET					1	1		
		15	16030-KF0-004	HOLDER SET, ADJUSTING	1	1	1	1	1	1		
		16	16031-MG3-004	ARM SET, PRIMARY LINK	1	1	1	1	2	2		

E 13

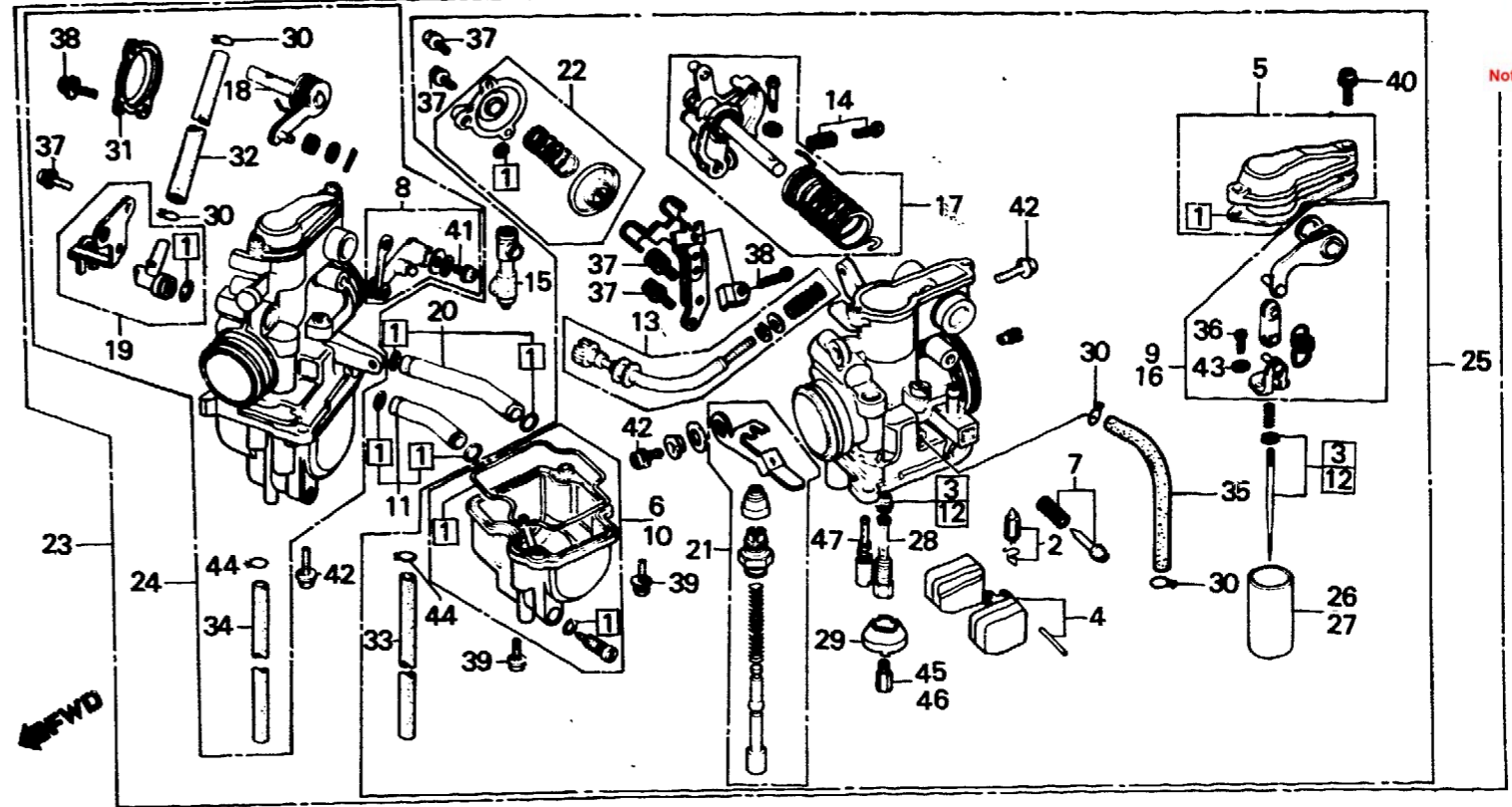
E-16

Carburetor

Carburateur

Vergaser

Carburador



Not for commercial use

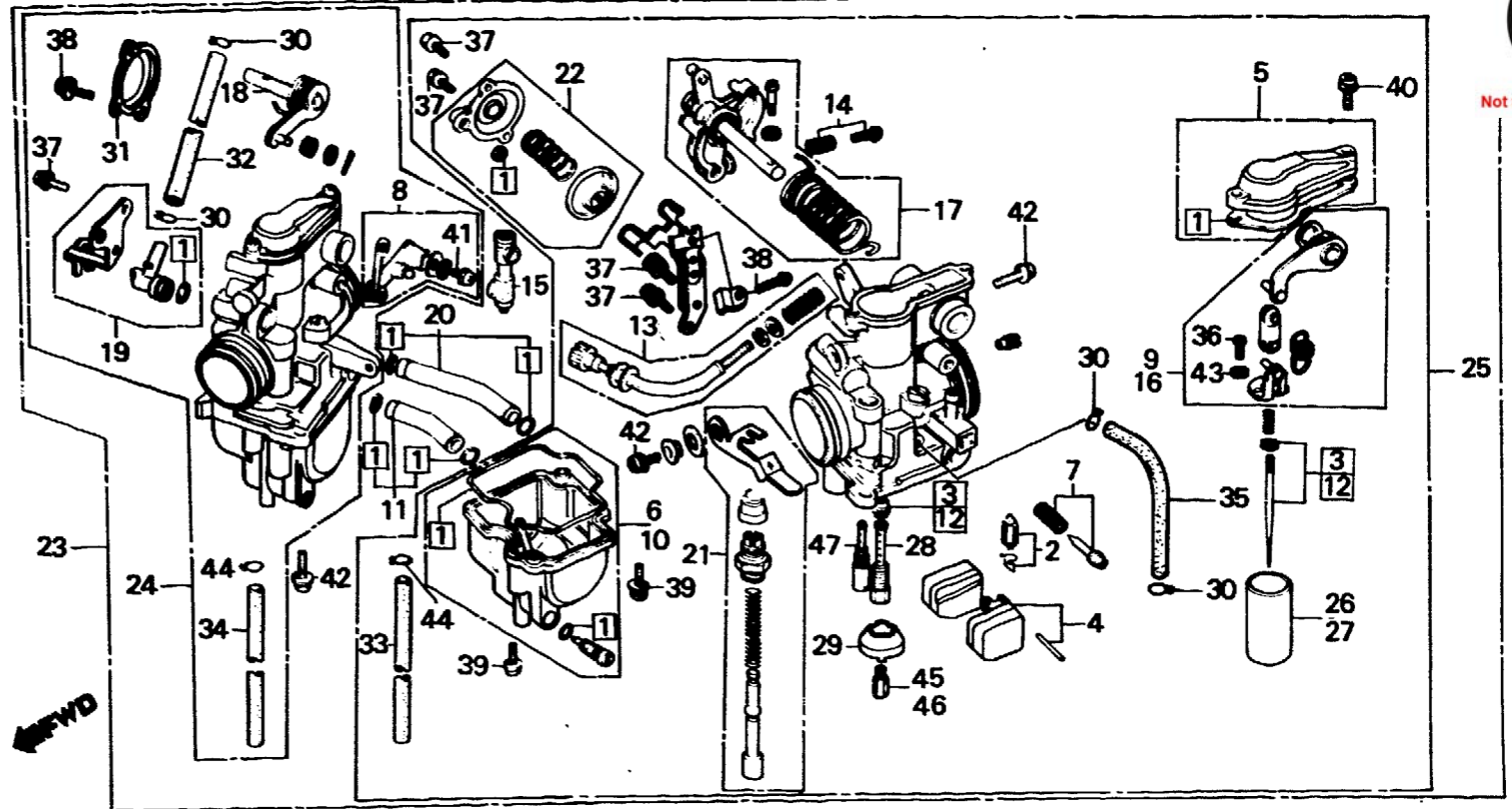
BMG2-61A

Service item	F.R.T.	Ref. No.	Part No.	Description	Reqd. No. XL600						Serial No.	Area code
					Rd	Ld	Re	Le	Rf	Lf		
		17	16032-MG2-004	LINK SET, THROTTLE	1	1						B,CM,E,ED,F,G IT,SA,SD,U
			16032-MG2-601	LINK SET, PRIMARY THROTTLE	1			1				SW AR B,CM,ED,F,IT
		* 18	16032-MG3-891 16035-MG3-004	LINK SET, PRIMARY THROTTLE LINK SET, THROTTLE (B)	1	1				1	1	B,CM,E,ED,F,G IT,SA,SD,SW,U
			16035-MG2-004	LINK SET, SECONDARY THROTTLE	1					1		AR,1G,2G B,CM,E,ED,F,IT SA,SD,SW,U
		19	16037-MG3-004	JOINT SET, FUEL	1	1	1	1	1	1		
		20	16042-KF0-004	JOINT SET, FUEL	1	1	1	1				
		* 21	16042-KK0-771	JOINT SET, FUEL						1	1	
			16046-MG2-004	VALVE SET, STARTER	1	1		1				AR,B,CM,E,ED,F G,IT,SA,SD,U
			16046-MG2-014	VALVE SET, STARTER	1			1	1			SW CM,SW
		* 21	16046-MG2-891	VALVE SET, STARTER						1	1	

E 14

E-16

Carburetor
 Carburateur
 Vergaser
 Carburador



BMG2-61A

Service item	F.R.T.	Ref. No.	Part No.	Description	Reqd. No. XL600						Serial No.	Area code
					Rd	Ld	RE	LE	Rf	Lf		
		22	16048-KF0-004	VALVE SET, AIR CUT	1	1	1	1	1	1		
		23	16100-MG2-601	CARBURETOR ASSY.	1	1						B,E,ED,F,G,IT SA,SD,U
			16100-MG2-602	CARBURETOR ASSY.	1				1			AR B,ED,F,IT CM
			16100-MG2-721	CARBURETOR ASSY.	1							
			16100-MG2-741	CARBURETOR ASSY.			1					
			16100-MG2-761	CARBURETOR ASSY.	1							SW
			16100-MG2-762	CARBURETOR ASSY.					1			SW
		*	16100-MG2-631	CARBURETOR ASSY.						1		SW
		*	16100-MG2-701	CARBURETOR ASSY.						1	1	AR,B,E,ED,F,IT SA,SD,U,1G
		*	16100-MG2-871	CARBURETOR ASSY.						1		CM
		*	16100-MG2-911	CARBURETOR ASSY.						1		2G
		24	16101-MG2-601	CARBURETOR ASSY., R.	1							B,E,ED,F,G,IT SA,SD,U
			16101-MG2-602	CARBURETOR ASSY., R.	1							AR B,ED,F,IT

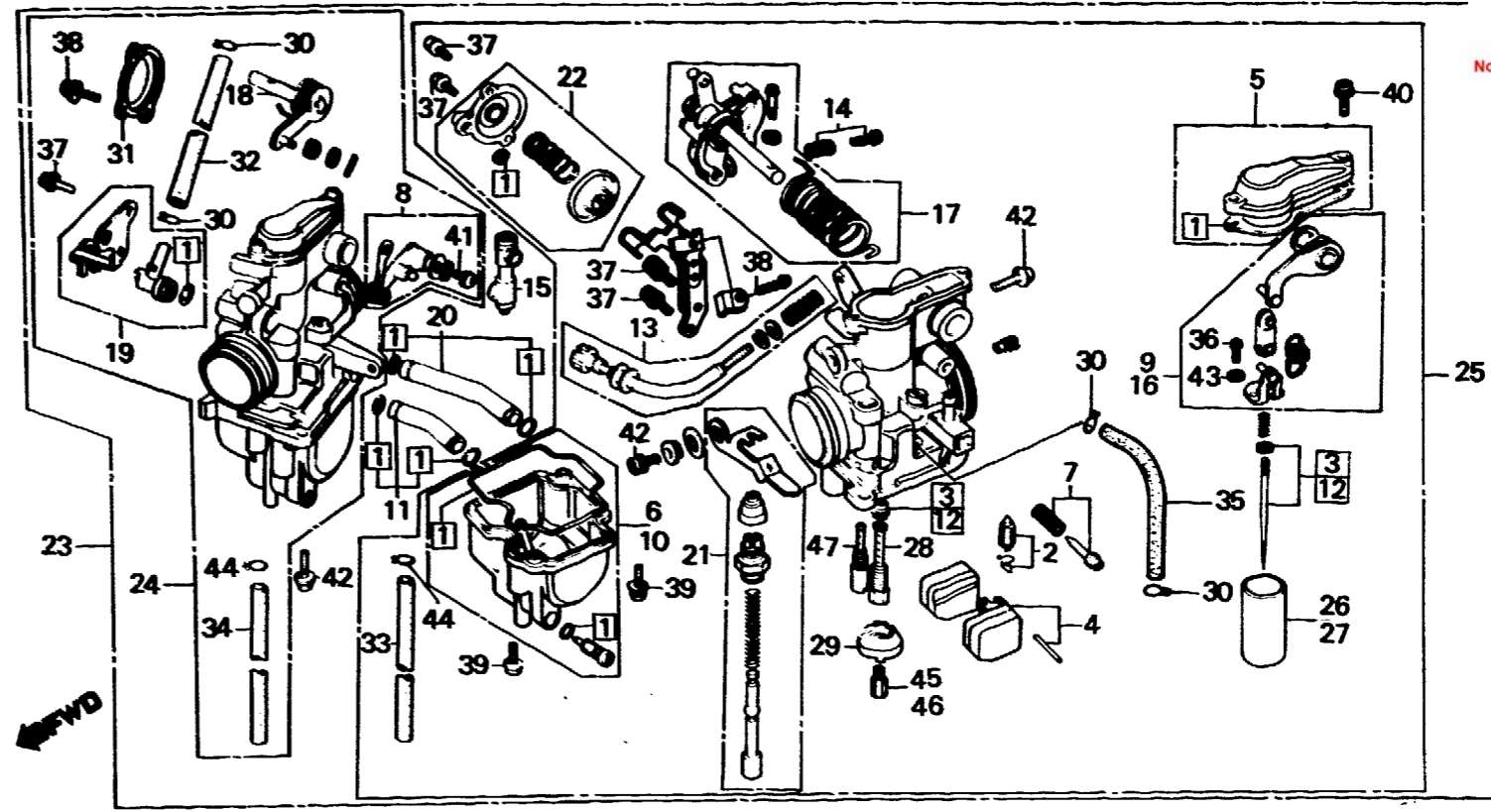


Not for commercial use

E 15

E-16

Carburetor
Carburateur
Vergaser
Carburador



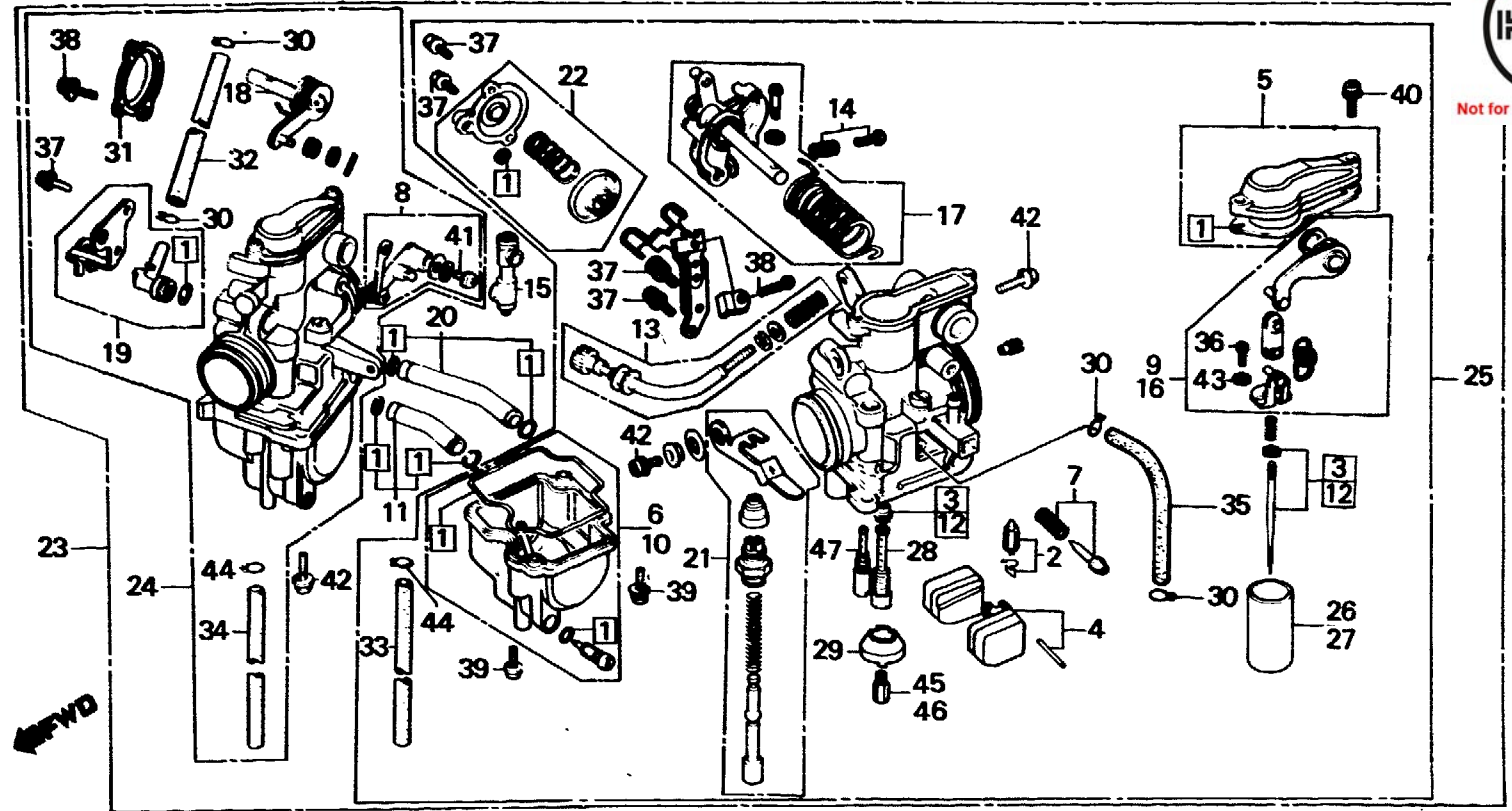
BMG2-61A

Service item	F.R.T.	Ref. No.	Part No.	Description	Reqd. No. XL600						Serial No.	Area code
					Rd	Ld	Re	Le	Rf	Lf		
			16101-MG2-721	CARBURETOR ASSY., R.	1							CM
			16101-MG2-742	CARBURETOR ASSY., R.			1					SW
			16101-MG2-761	CARBURETOR ASSY., R.	1			1				CM
		*	16101-MG2-871	CARBURETOR ASSY., R.					1			SW
		*	16101-MG2-631	CARBURETOR ASSY., R.					1			AR,B,E,ED,F,IT
		*	16101-MG2-701	CARBURETOR ASSY., R.					1	1		SA,SD,U,1G,2G
		25	16102-MG2-601	CARBURETOR ASSY., L.	1							B,E,ED,F,G,IT
			16102-MG2-603	CARBURETOR ASSY., L.	1			1				SA,SD,U
			16102-MG2-721	CARBURETOR ASSY., L.	1							AR
			16102-MG2-742	CARBURETOR ASSY., L.			1					B,ED,F,IT
			16102-MG2-761	CARBURETOR ASSY., L.	1			1				CM
		*	16102-MG2-871	CARBURETOR ASSY., L.					1			SW
		*	16102-MG2-631	CARBURETOR ASSY., L.					1			CM
		*	16102-MG2-701	CARBURETOR ASSY., L.					1	1		SW
												AR,B,E,ED,F,IT
												SA,SD,U,1G,2G

E 16

E-16

Carburetor
 Carburateur
 Vergaser
 Carburador



BMG2-61A

Service item	F.R.T.	Ref. No.	Part No.	Description	Reqd. No. XL600						Serial No.	Area code
					Rd	Ld	Re	Le	Rf	Lf		
		26	16111-MG2-004	VALVE, THROTTLE	1	1	1	1				
		*	16111-MG2-791	VALVE, PRIMARY THROTTLE					1	1		
		27	16112-MG3-004	VALVE A	1	1	1	1	1	1		
		28	16165-MG2-004	HOLDER, NEEDLE JET	2	2		2				CM
			16165-MG2-601	HOLDER, NEEDLE JET				2				AR,B,E,ED,F,G IT,SA,SD,SW,U
		*	16165-MG2-761	HOLDER, NEEDLE JET					2	2		
		29	16168-KFO-004	HOLDER, JET	2	2	2	2	2	2		
		30	16179-KE5-004	CLIP, TUBE	2			2	2	2		AR,1G,2G B,CM,E,ED,F,IT SA,SD,U SW
									2			
		31	16193-KB4-671	COVER, AIR CUT VALVE	1	1	1	1	1	1		
		32	16195-KFO-004	PIPE, AIR VENT	1	1	1	1	1	1		
		33	16198-MG3-004	PIPE, OVER FLOW	1	1	1	1	1	1		
		34	16199-KFO-004	TUBE, OVER FLOW, 440MM	1	1	1	1	1	1		

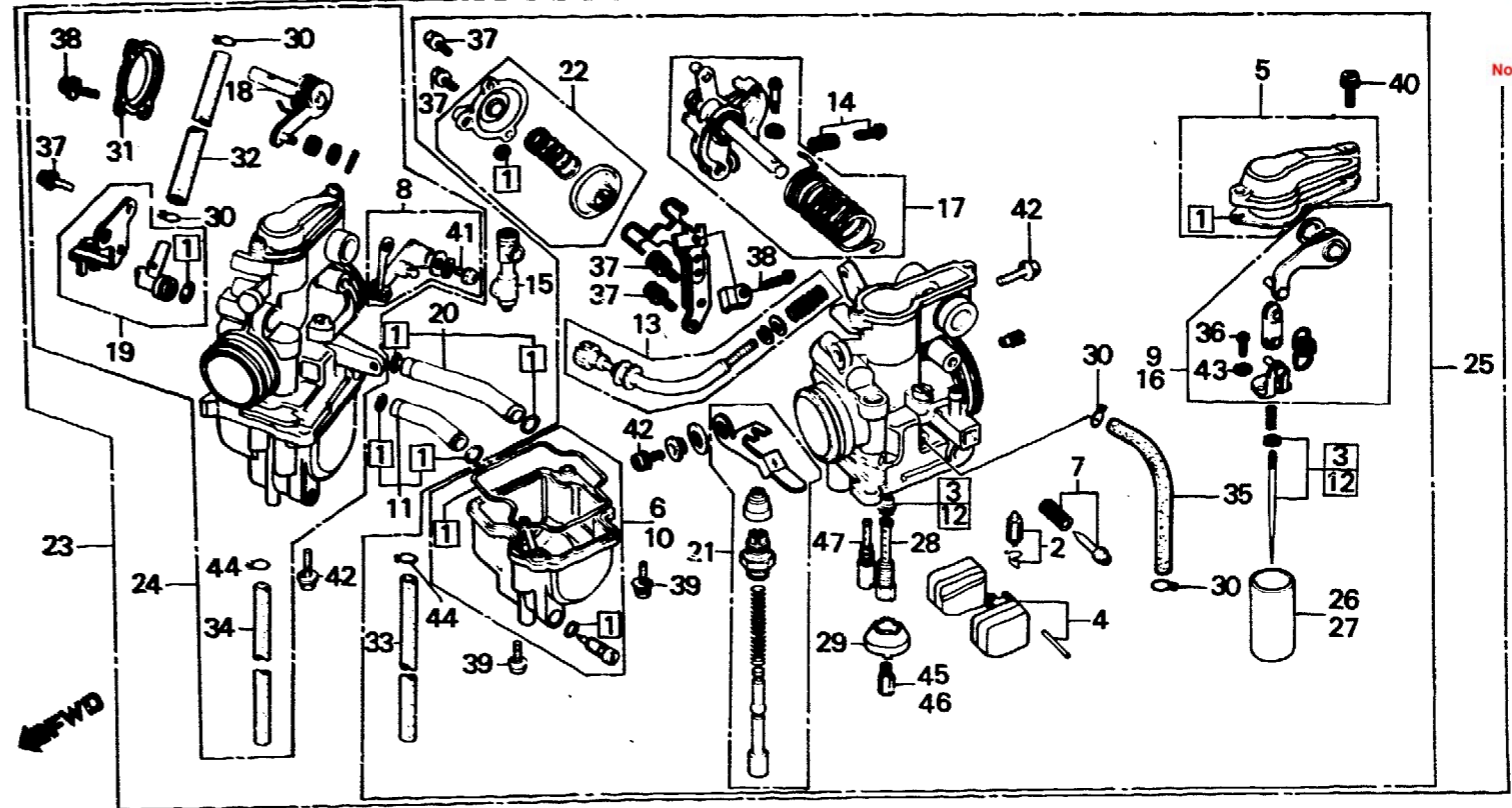


Not for commercial use

F 1

E-16

Carburetor
Carburateur
Vergaser
Carburador



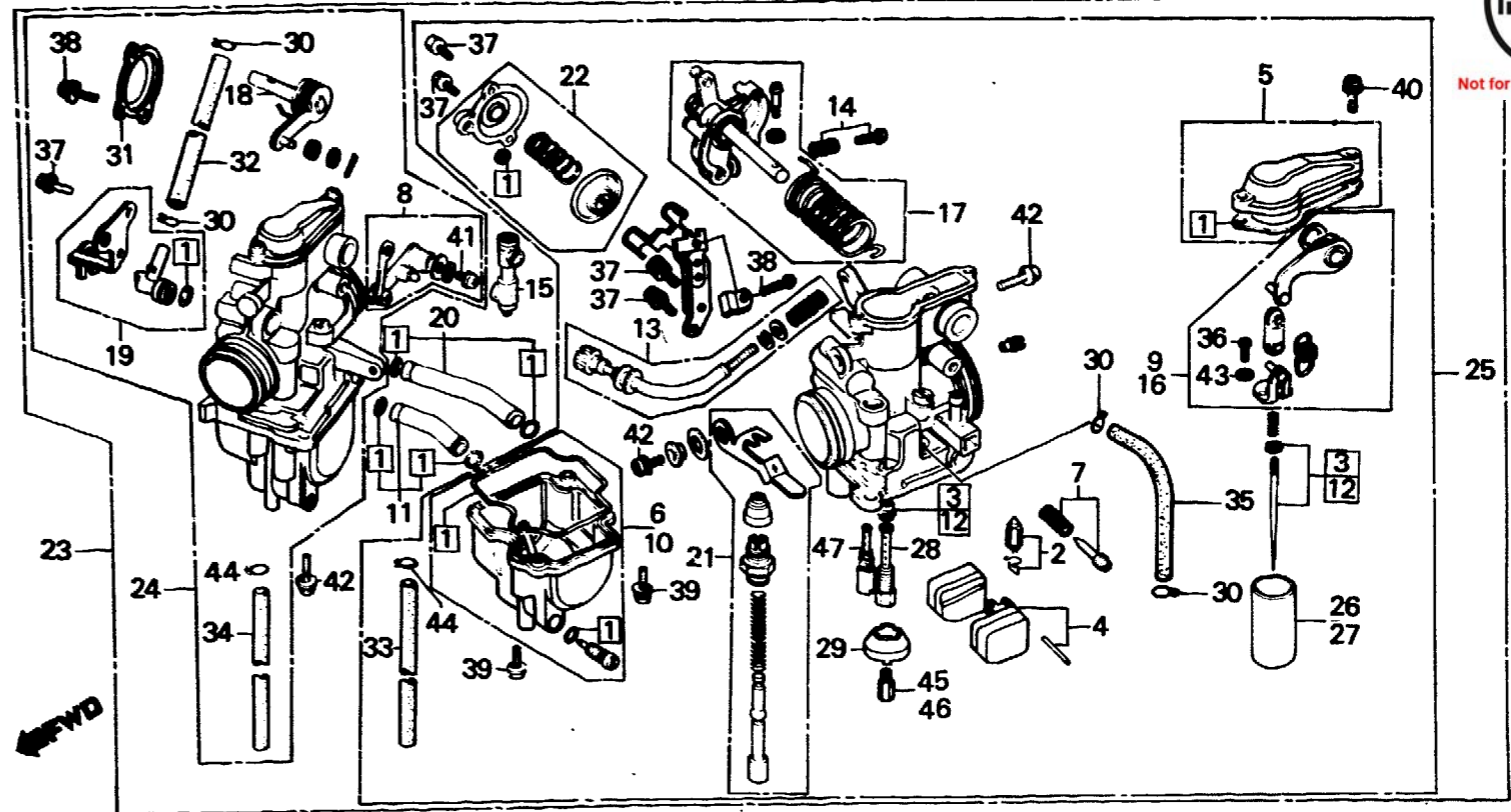
BMG2-61A

Service item	F.R.T.	Ref. No.	Part No.	Description	Reqd. No. XL600						Serial No.	Area code
					Rd	Ld	Re	Le	Rf	Lf		
		35	16199-KF0-771	TUBE, AIR VENT	1			1	1	1		AR,1G,2G B,CM,E,ED,F,IT SA,SD,U SW
		36	93500-03008-1H	SCREW, PAN, 3X8	4	4	4	4	4	4		
		37	93892-04010-18	SCREW-WASHER, 4X10	6	6	6	6	6	6		
		38	93892-04012-18	SCREW-WASHER, 4X12	3	3	3	3	3	3		
		39	93892-04014-18	SCREW-WASHER, 4X14	4	4	4	4	4	4		
		40	93892-04016-18	SCREW-WASHER, 4X16	4	4	4	4	4	4		
		41	93892-04020-18	SCREW-WASHER, 4X20	1	1	1	1	1	1		
		42	93892-05014-18	SCREW-WASHER, 5X14	3	3	3	3	3	3		
		43	94111-03800	WASHER, SPRING, 3MM	4	4	4	4	4	4		
		44	95002-02080	CLIP B8, TUBE	2	2	2	2	2	2		
		45	99101-393-1100	JET, MAIN, #110				1				SW
			99101-393-1220	JET, MAIN, #122	1		1					AR,CM,U B,ED,F,IT
			99101-393-1250	JET, MAIN, #125	1	1		1				B,E,ED,F,G,IT SA,SD,SW
		*	99101-393-1000	JET, MAIN, #100					2			SW

F 2

E-16

Carburetor
Carburateur
Vergaser
Carburador



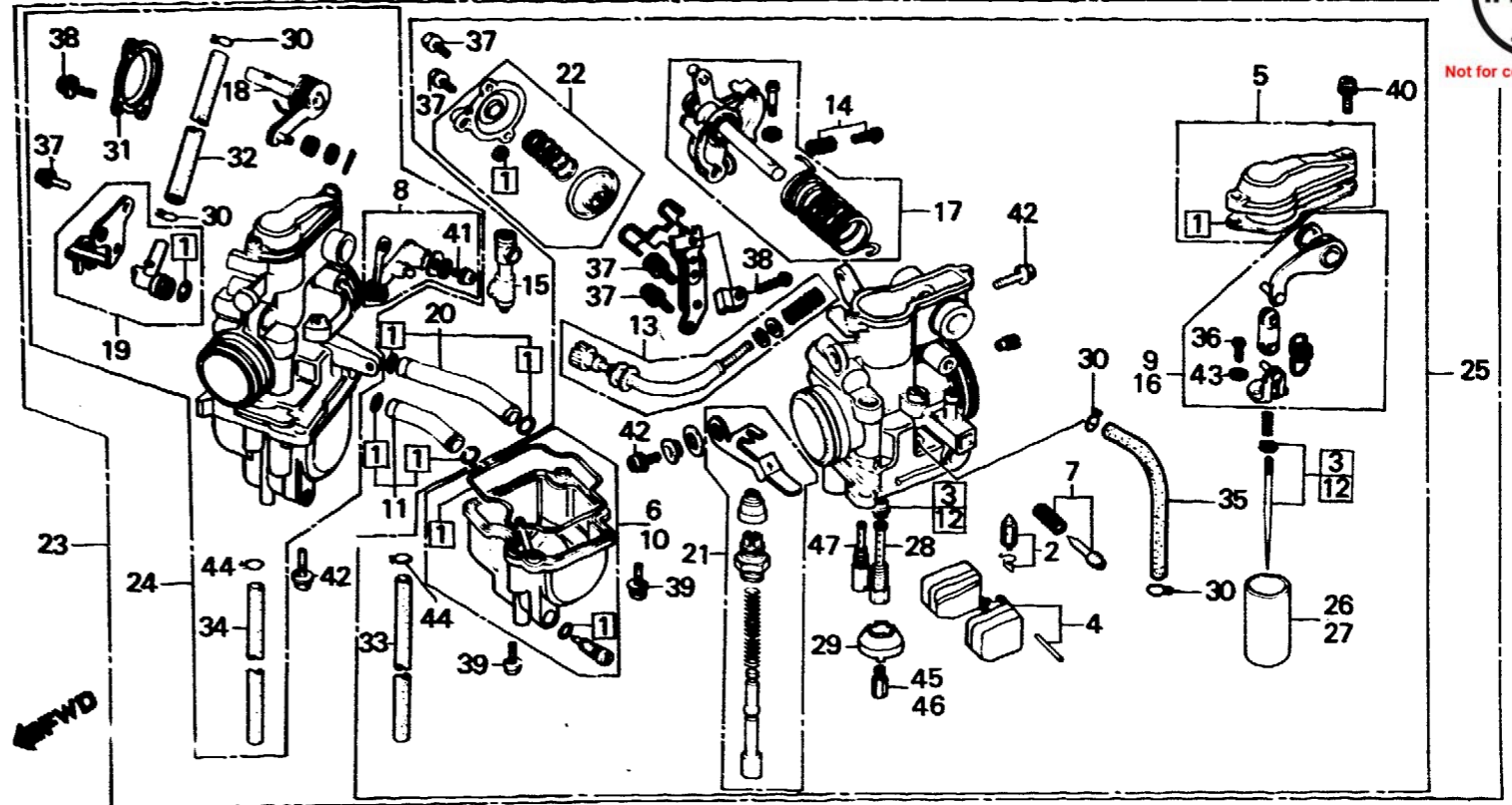
BMG2-61A

Service item	F.R.T.	Ref. No.	Part No.	Description	Reqd. No. XL600						Serial No.	Area code
					Rd	Ld	Re	Le	Rf	Lf		
		*	99101-393-1080	JET, MAIN, #108						1	1	AR,B,E,ED,F,IT SA,SD,U,1G,2G CM
		*	99101-393-1180	JET, MAIN, #118						1		SW
		46	99102-357-0920 99102-357-102	JET, SECONDARY MAIN, #92 JET SET, SECONDARY MAIN, #102	1	1		1				AR,B,E,ED,F,G IT,SA,SD SW
			99102-357-1150	JET, SECONDARY MAIN, #115				1				CM,U
			99102-393-1120	JET, MAIN, #112	1							AR,B,E,ED,F,IT SA,SD,U,1G,2G CM
		*	99101-393-1050	JET, MAIN, #105					1	1		CM
		*	99101-393-1150	JET, MAIN, #115						1		SW
		47	99103-MG2-0650 99103-943-0550	JET, SLOW, #65 JET, SLOW, #55	1			1				AR
					2	2		1				B,CM,E,ED,F,G IT,SA,SD,U
			99104-MG3-0580	JET, SLOW, #58						1		SW

F 3

E-16

Carburetor
Carburateur
Vergaser
Carburador



Not for commercial use

BMG2-61A

Service item	F.R.T.	Ref. No.	Part No.	Description	Reqd. No.						Serial No.	Area code	
					Rd	Ld	RE	LE	Rf	Lf			
		*	99103-MG2-0650	JET, SLOW, #65							1	1	



Not for commercial use

EOP-1

Gasket kit A

Trousse de joint A

Dichtung satz A

Equipo de empacadura A

Service item	F.R.T.	Ref. No.	Part No.	Description	Reqd. No. XL600						Serial No.	Area code
					Rd	Ld	RE	LE	Rf	Lf		
			061A1-MG2-000	GASKET KIT A	1	1						B,CM,E,ED,F,G IT,SA,SD,SW,U
			061A1-MG2-020	GASKET KIT A	1			1	1			AR
		*	061A1-MG2-791	GASKET KIT A (COMPONENT PARTS)					1	1		
		1	12191-MG3-000	GASKET, CYLINDER	1	1	1	1	1	1		
		2	12209-MA6-005	SEAL, VALVE STEM	1	1	1	1	1	1		
		3	12209-MC8-005	SEAL, VALVE STEM	4	4	4	4	4	4		
		4	12251-MG2-004	GASKET, CYLINDER HEAD	1	1	1	1				
		*	12251-MG2-791	GASKET, CYLINDER HEAD					1	1		
		5	12332-MG3-004	GASKET, DECOMPRESSION COVER	1	1						B,CM,E,ED,F,G IT,SA,SD,SW,U
			12332-MG2-000	GASKET, DECOMPRESSION COVER	1				1			AR,1G,2G B,CM,E,ED,F,IT SA,SD,SW,U
							1	1	1	1		
		6	12391-MG3-004	GASKET, HEAD COVER	1	1						B,CM,E,ED,F,G IT,SA,SD,SW,U



EOP-1

- Gasket kit A
- Trousse de joint A
- Dichtung satz A
- Equipo de empacadura A

Service item	F.R.T.	Ref. No.	Part No.	Description	Reqd. No. XL600						Serial No.	Area code
					Rd	Ld	Re	Le	Rf	Lf		
			12391-MG3-014	GASKET, HEAD COVER	1		1	1	1	1		AR,1G,2G B,CM,E,ED,F,IT SA,SD,SW,U
		7	18291-216-000	GASKET, EX. PIPE	2	2	2	2	2	2		
		8	90488-044-000	WASHER, 8MM	4	4	4	4				
		*	90544-439-930	PACKING					4	4		
		9	91301-MC7-003	O-RING, 15.8X2.5	1	1	1	1	1	1		
		10	91301-MG3-000	O-RING, SPECIAL	1		1	1	1	1		AR,1G,2G B,CM,E,ED,F,IT SA,SD,SW,U
		11	91301-200-000	O-RING, 10X1.6	5	5	5	5	5	5		
		12	91301-428-003	O-RING, 35.5X3	2				2			AR,1G B,CM,E,ED,F,G IT,SA,SD,SW,U
					4	4	2	2	2	2		
		13	91303-KF0-003	O-RING, 14.8X2.4	1	1	1	1	1	1		
		14	91352-KF0-003	O-RING, 39.5X2.9	4	4	4	4	4	4		



Not for commercial use

EOP-2

Gasket kit B

Trousse de joint B

Dichtung satz B

Equipo de empacadura B

Service item	F.R.T.	Ref. No.	Part No.	Description	Reqd. No. XL600						Serial No.	Area code
					Rd	Ld	RE	LE	Rf	Lf		
			061B1-MG2-000	GASKET KIT B	1	1						B,CM,E,ED,F,G IT,SA,SD,SW,U AR
			061B1-MG2-020	GASKET KIT B	1			1	1			
		*	061B1-MG2-790	GASKET KIT B (COMPONENT PARTS)					1	1		
		1	11191-MG3-000	GASKET, CRANKCASE	1	1	1	1				
		*	11191-MG2-790	GASKET, CRANKCASE					1	1		
		2	11394-MG3-000	GASKET, R. CRANKCASE COVER	1	1	1	1	1	1		
		3	11395-MG2-000	GASKET, L. CRANKCASE COVER	1	1	1	1	1	1		
		4	91301-028-000	O-RING, 27X2.0	1	1						B,CM,E,ED,F,G IT,SA,SD,SW,U AR,1G,2G
			91305-KF0-003	O-RING, 27X2	1				1			B,CM,E,ED,F,IT SA,SD,SW,U
							1	1	1	1		
		5	91301-473-003	O-RING, 7X1.7	1	1	1	1	1	1		
		6	91302-KF0-003	O-RING, 54X2.4	1	1	1	1	1	1		
		7	91303-377-000	O-RING, 13.8X2.5	1	1	1	1	1	1		



EOP-2

Gasket kit B

Trousse de joint B

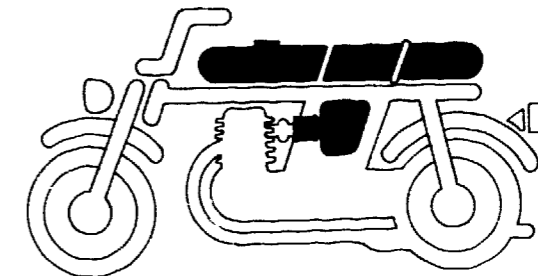
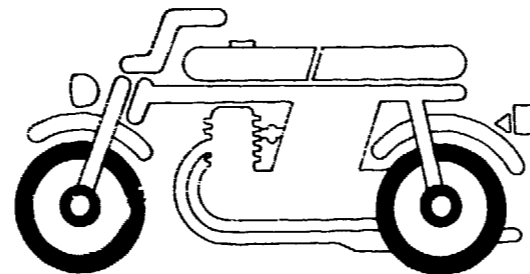
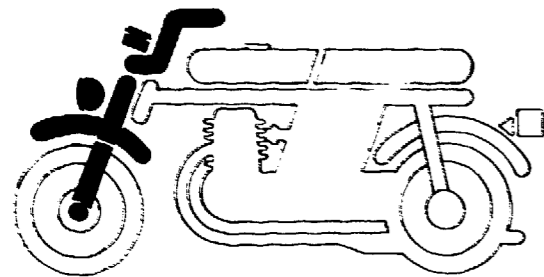
Dichtung satz B

Equipo de empacadura B



Not for commercial use

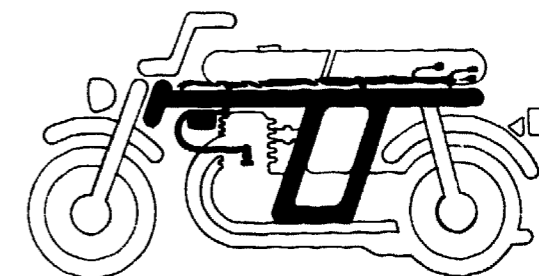
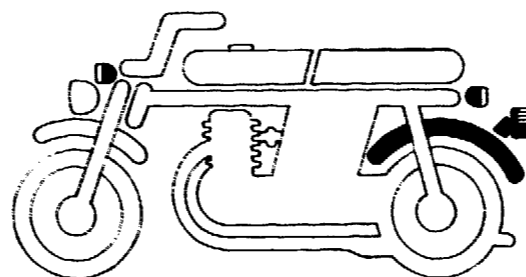
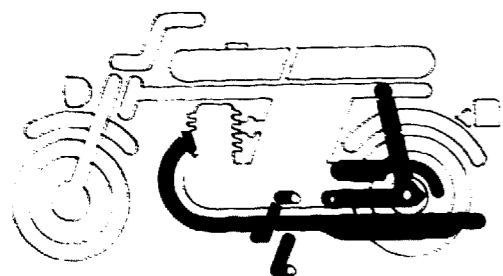
Service item	F.R.T.	Ref. No.	Part No.	Description	Reqd. No. XL600						Serial No.	Area code
					Rd	Ld	RE	LE	Rf	Lf		
		8	91306-MG3-000	O-RING, 1.5X9.5	3	3	3	3	3	3		B,CM,E,ED,F,G IT,SA,SD,SW,U AR,1G,2G B,CM,E,ED,F,IT SA,SD,SW,U
		9	91352-425-003	O-RING, 9.8X2.4	2	2						
			91301-KF0-000	GASKET, RUBBER, 9.8MM	2				2			
							2	2	2	2		
		10	94109-12000	WASHER, DRAIN PLUG, 12MM	1	1	1	1	1	1		



F- 1	Headlight (CM).....	G 2
F- 1-1	Headlight (AR,B,E,ED,F,G,IT,SA,SD,SW,U,2G).....	G 4
F- 2	Meter (CM).....	G 10
F- 2-1	Meter (AR,B,E,ED,F,G,IT,SA,SD,SW,U,2G).....	G 12
F- 3	Handle lever • Switch • Cable.....	G 16
F- 4	Front brake master cylinder.....	H 6
F- 5	Handle pipe • Top bridge.....	H 10
F- 6	Steering stem • Horn.....	H 14
F- 7	Front fender.....	H 16
F- 8	Front fork.....	I 2

F- 9	Front brake caliper.....	I 8
F-10	Front wheel.....	I 10
F-11	Rear brake panel.....	I 13
F-12	Rear wheel.....	I 14

F-13	Fuel tank (XL600Rd • Re • Rf).....	J 2
F-13-1	Fuel tank (XL600Ld • Le • Lf).....	J 6
F-14	Seat.....	J 8
F-15	Side cover • Battery.....	J 11
F-16	Air cleaner.....	J 16



F-17	Exhaust muffer.....	K 4
F-18	Brake pedal • Change pedal • Side stand.....	K 6
F-19	Step.....	K 10
F-20	Rear fork • Chain case.....	K 14
F-21	Rear cushion.....	L 4

F-22	Rear fender (CM).....	L 7
F-22-1	Rear fender (AR,B,E,ED,F,G,IT,SA,SD,SW,U,2G).....	L 9
F-23	Winker (AR,B,CM,E,F,IT,SA,SD,U, XL600Rf-Ed).....	L 15
F-23-1	Winker (G,SW,2G, XL600Rd, Le-Ed).....	M 5
F-24	Tailight (CM).....	M 8
F-24-1	Tailight (AR,B,E,ED,F,G,IT,SA,SD,SW,U,2G).....	M 10

F-25	Wire harness • Ignition coil.....	M 13
F-26	Frame body.....	M 15
F-27	Tool.....	N 4
F-28	Stripe (XL600Rd • Re • Ld).....	N 6
F-28-1	Stripe (XL600Le • Lf).....	N 9
F-28-2	Stripe (XL600Rf).....	N 10