

C 15

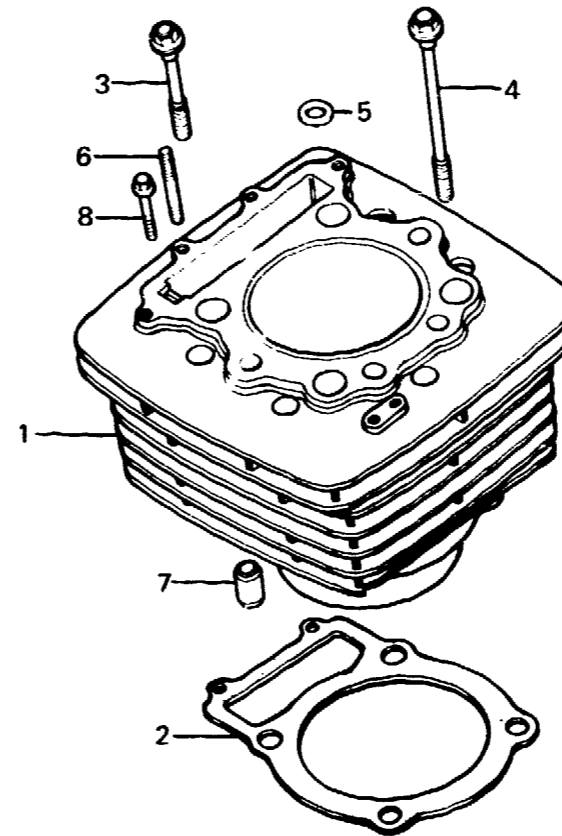
E-5

Cylinder

Cylindre

Zylinder

Cilindro



BMG3-5

Service item	F.R.T.	Ref. No.	Part No.	Description	Reqd. No. XL600						Serial No.	Area code	
					Rd	Ld	Re	Le	Rf	Lf			
CYLINDER COMP. GASKET, CYLINDER	*3.8	1	12101-MG2-000	CYLINDER COMP.	1	1	1	1	1	1			
	*3.7	2	12191-MG3-000	GASKET, CYLINDER	1	1	1	1	1	1			
			3	90085-MG3-000	BOLT, FLANGE, 10X66	2	2	2	2	2	2		
			4	90086-MG3-000	BOLT, FLANGE, 10X110	2	2	2	2	2	2		
			5	90453-MG3-000	WASHER, 10.2MM	4	4	4	4				
			*	90453-MG2-790	WASHER, PLAIN, 10MM					4	4		
			6	92700-06035-0E	BOLT, STUD, 6X35	2	2	2	2	2	2		
			7	94301-12200	PISTON A, DOWEL, 12X20	2	2	2	2	2	2		
		8	96000-06032-07	BOLT, FLANGE, 6X32	2	2	2	2	2	2			

C 16

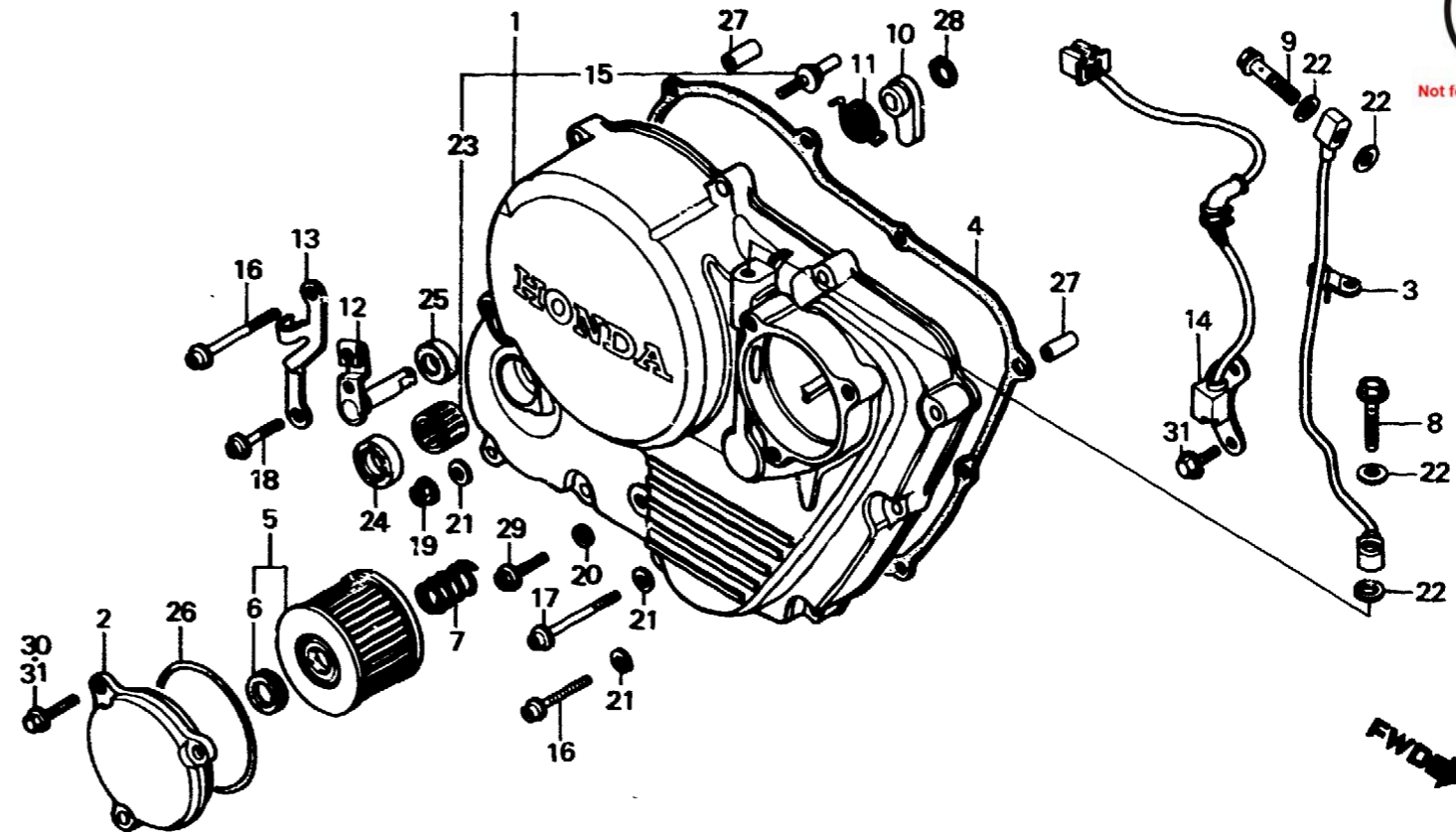
E-6

Right crankcase cover

Couvercle de carter moteur droit

Rechter Kurbelgehäusedeckel

Cubierta de cárter de motor derecha



BMG2-60

Service item	F.R.T.	Ref. No.	Part No.	Description	Reqd. No. XL600						Serial No.	Area code
					Rd	Ld	RE	LE	Rf	Lf		
COVER COMP., R. CRANKCASE	1.0	1	11330-MG3-000	COVER COMP., R. CRANKCASE	1	1	1	1				
PIPE COMP., OIL PASS	0.3	3	11330-MG2-790	COVER COMP., R. CRANKCASE					1	1		
GASKET, R. CRANKCASE COVER	0.6	2	11333-MG3-000	COVER, OIL FILTER	1	1	1	1	1	1		
• OIL SEAL, 20X32X6		3	11335-MG3-000	PIPE COMP., OIL PASS	1	1	1	1	1	1		
ELEMENT, OIL FILTER (INC. RELATIVE PART)	0.2	4	11394-MG3-000	GASKET, R. CRANKCASE COVER	1	1	1	1	1	1		
FOLLOWER, CAM	0.7	5	15412-KF0-000	ELEMENT, OIL FILTER	1	1					B,CM,E,ED,F,G IT,SA,SD,SW,U	
• SHAFT COMP., FOLLOWER (INC. RELATIVE PART)			15412-KF0-010	ELEMENT, OIL FILTER	1				1		AR,1G,2G	
• OIL SEAL, 12X22X5							1	1	1	1	B,CM,E,ED,F,IT SA,SD,SW,U	
GENERATOR ASSY., PULSE	0.8	6	15413-MC8-000	RUBBER, FILTER	1	1	1	1	1	1		
• BEARING, NEEDLE, 20X26X12		7	15414-KF0-000	SPRING, OIL FILTER ELEMENT	1	1	1	1	1	1		
				SET ING								
		8	15532-MA6-000	BOLT, FLANGE, 8X30	1	1	1	1	1	1		
		9	15532-MG3-000	BOLT, FLANGE, 8X30	1	1	1	1	1	1		
		10	28271-428-000	FOLLOWER, CAM	1	1	1	1	1	1		

D 1

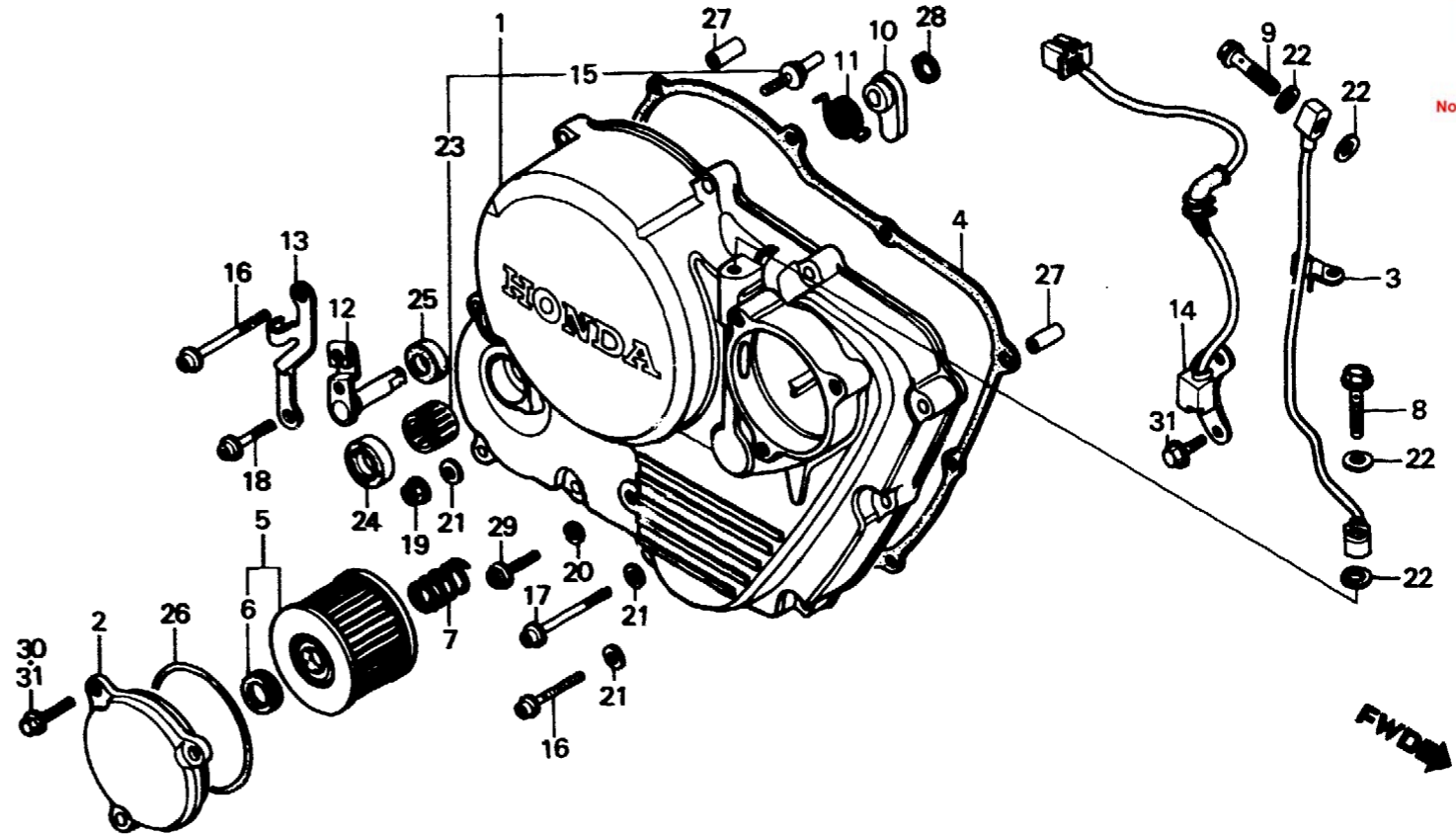
E-6

Right crankcase cover

Couvercle de carter moteur droit

Rechter Kurbelgehäusedeckel

Cubierta de cárter de motor derecha



BMG2-60

Service item	F.R.T.	Ref. No.	Part No.	Description	Reqd. No. XL600						Serial No.	Area code
					Rd	Ld	Re	Le	Rf	Lf		
		11	28274-KF0-000	SPRING, FOLLOWER	1	1	1	1	1	1		
		12	28280-MG3-000	SHAFT COMP., FOLLOWER	1	1	1	1	1	1		
		13	28287-MG3-000	RECEIVER ASSY.	1	1	1	1	1	1		
		14	30300-MG3-154	GENERATOR ASSY., PULSE	1	1						B,CM,E,ED,F,G IT,SA,SD,SW,U
			30300-MG3-164	GENERATOR ASSY., PULSE	1				1	1		AR,1G,2G B,CM,E,ED,F,IT SA,SD,SW,U
		15	90041-MG3-000	BOLT, SPECIAL, 6MM	1	1	1	1	1	1		
		16	90091-KF0-000	BOLT, FLANGE SOCKET, 6X25	5				5			AR,1G,2G B,CM,E,ED,F,G IT,SA,SD,SW,U
					8	8	5	5	5	5		
		17	90093-KF0-000	BOLT, FLANGE SOCKET, 6X40	3	3	3	3	3	3		
		18	90098-KF0-000	BOLT, FLANGE SOCKET, 6X28	1				1			AR,1G,2G B,CM,E,ED,F,IT SA,SD,SW,U
							1	1	1	1		
		19	90301-MG3-000	NUT, U, 6MM	2	2	2	2	2	2		
		20	90425-300-000	WASHER, 11MM	1	1	1	1	1	1		

D 2

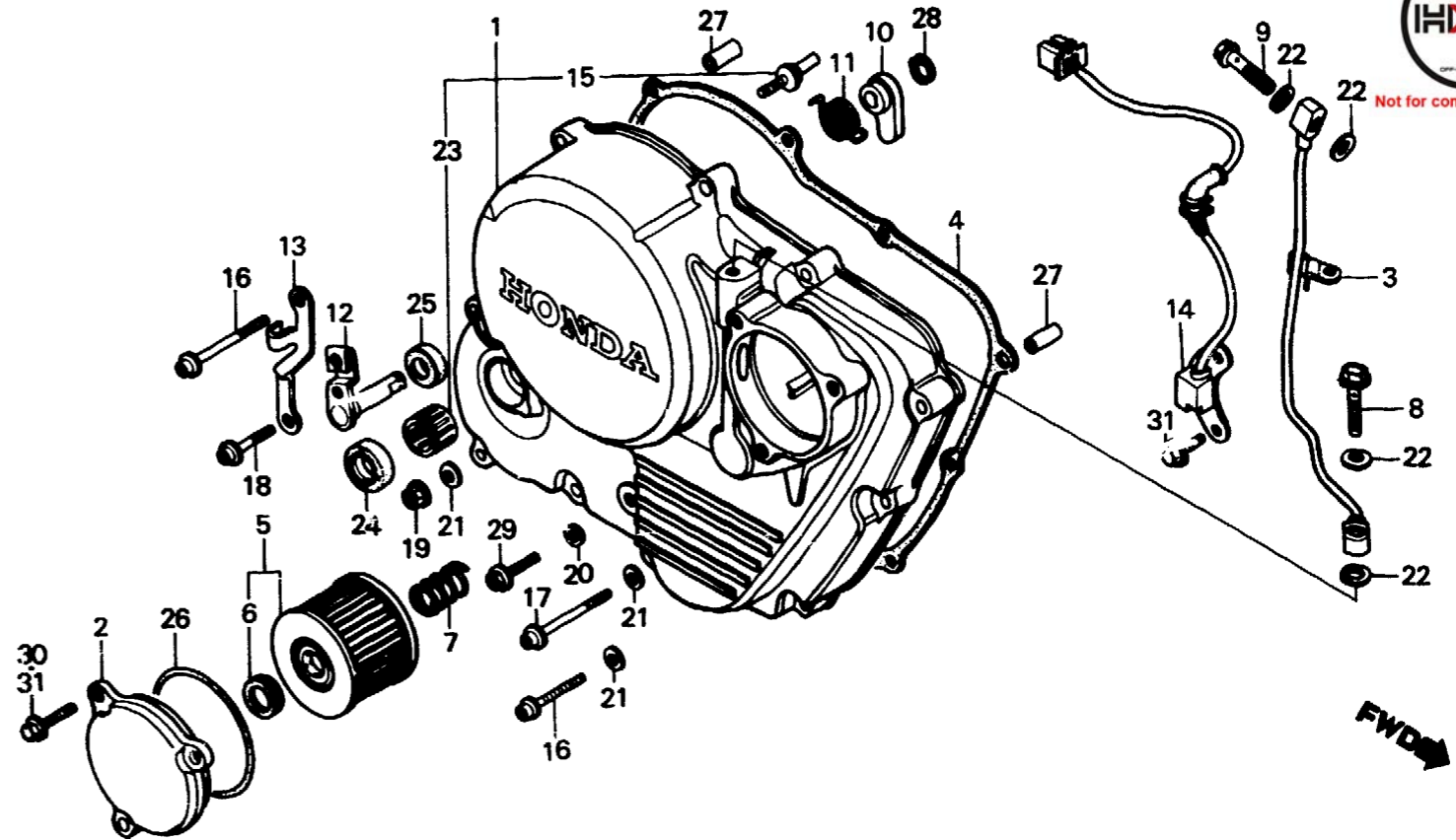
E-6

Right crankcase cover

Couvercle de carter moteur droit

Rechter Kurbelgehäusedeckel

Cubierta de cárter de motor derecha



BMG2-60

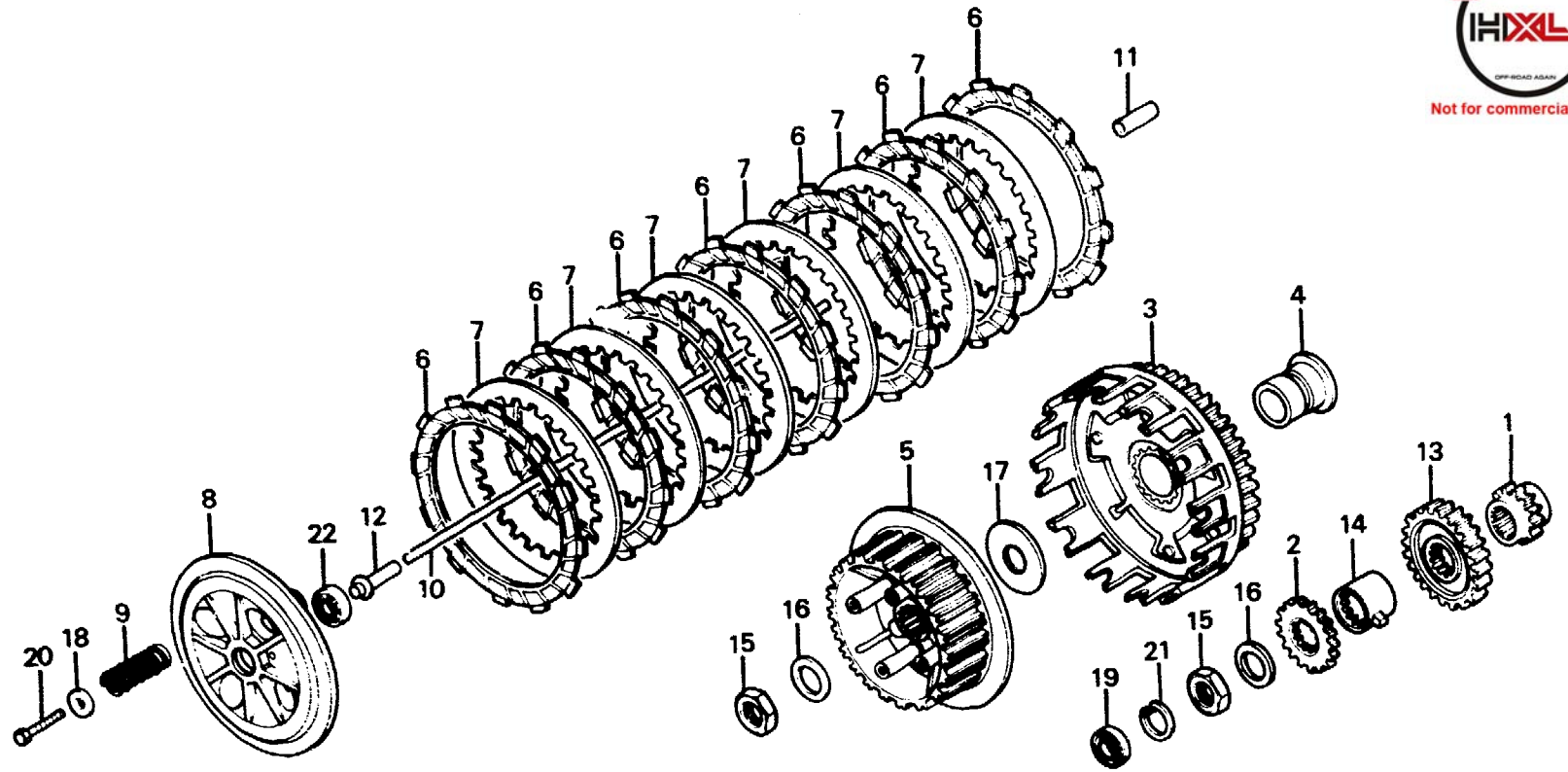
Service item	F.R.T.	Ref. No.	Part No.	Description	Reqd. No. XL600						Serial No.	Area code
					Rd	Ld	Re	Le	Rf	Lf		
		21	90461-MG3-000	WASHER, SEALING, 6MM	9	9	9	9	9	9		
		22	90488-044-000	WASHER, 8MM	4	4	4	4				
		*	90544-439-930	PACKING					4	4		
		23	91106-KF0-000	BEARING, NEEDLE, 20X26X12	1	1	1	1	1	1		
		24	91201-360-005	OIL SEAL, 20X32X6	1	1	1	1	1	1		
			91201-360-013	OIL SEAL, 20X32X6	1			1	1	1		AR,1G,2G B,CM,E,ED,F,IT SA,SD,SW,U
		25	91203-MC8-003	OIL SEAL, 12X22X5	1	1	1	1	1	1		
		26	91302-KF0-003	O-RING, 54X2.4	1	1	1	1	1	1		
		27	94301-08200	PIN, DOWEL, 8X20	2	2	2	2	2	2		
		28	94510-10000	CIRCLIP, EXTERNAL, 10MM	1	1	1	1	1	1		
		29	95700-06016-00	BOLT, FLANGE, 6X16	1	1	1	1	1	1		
		*30	96000-06018-07	BOLT, FLANGE, 6X18					3	3		
		31	96000-06020-07	BOLT, FLANGE, 6X20	5	5	5	5	2	2		

D 3



E-7

Clutch
Embrayage
Kupplung
Embrague



BMG2-4

Service item	F.R.T.	Ref. No.	Part No.	Description	Reqd. No. XL600						Serial No.	Area code
					Rd	Ld	Re	Le	Rf	Lf		
• SPROCKET, TIMING	*4.0	1	14312-MG3-000	SPROCKET, TIMING (19T)	1	1	1	1	1	1		
• GEAR, OIL PUMP DRIVE	0.7	2	15130-MG3-000	GEAR, OIL PUMP DRIVE (27T)	1	1	1	1	1	1		
• DISK, CLUTCH FRICTION (INC. RELATIVE PART) (ONE OR ALL)		3	22100-MG3-000	OUTER COMP., CLUTCH (70/16T)	1	1	1	1				
• PLATE, CLUTCH PRESSURE OUTER COMP., CLUTCH	0.8	4	22116-MG3-000	GUIDE, CLUTCH OUTER					1	1		
• CENTER COMP., CLUTCH SPRINC. CLUTCH (ONE OR ALL)	0.6	5	22120-MG3-000	CENTER COMP., CLUTCH	1	1	1	1	1	1		
• OIL SEAL, 14X22X5		6	22201-MG3-000	DISK, CLUTCH FRICTION	7	7	7	7	7	7		
• ROD, CLUTCH LIFTER	0.4	7	22321-MG3-000	PLATE, CLUTCH	6	6	6	6	6	6		
• GEAR, PRIMARY DRIVE	0.9	8	22350-MG3-000	PLATE, CLUTCH PRESSURE	1	1	1	1	1	1		
		9	22401-MG3-000	SPRING, CLUTCH	4	4	4	4	4	4		
		10	22850-MG3-000	ROD, CLUTCH LIFTER	1	1	1	1	1	1		
		11	22852-MG3-000	PIECE A, SHIFT	1	1	1	1	1	1		
		12	22853-MG3-000	LIFTER COMP., CLUTCH	1	1	1	1	1	1		
		13	23121-MG2-000	GEAR, PRIMARY DRIVE (32T)	1	1	1	1	1	1		

D 4



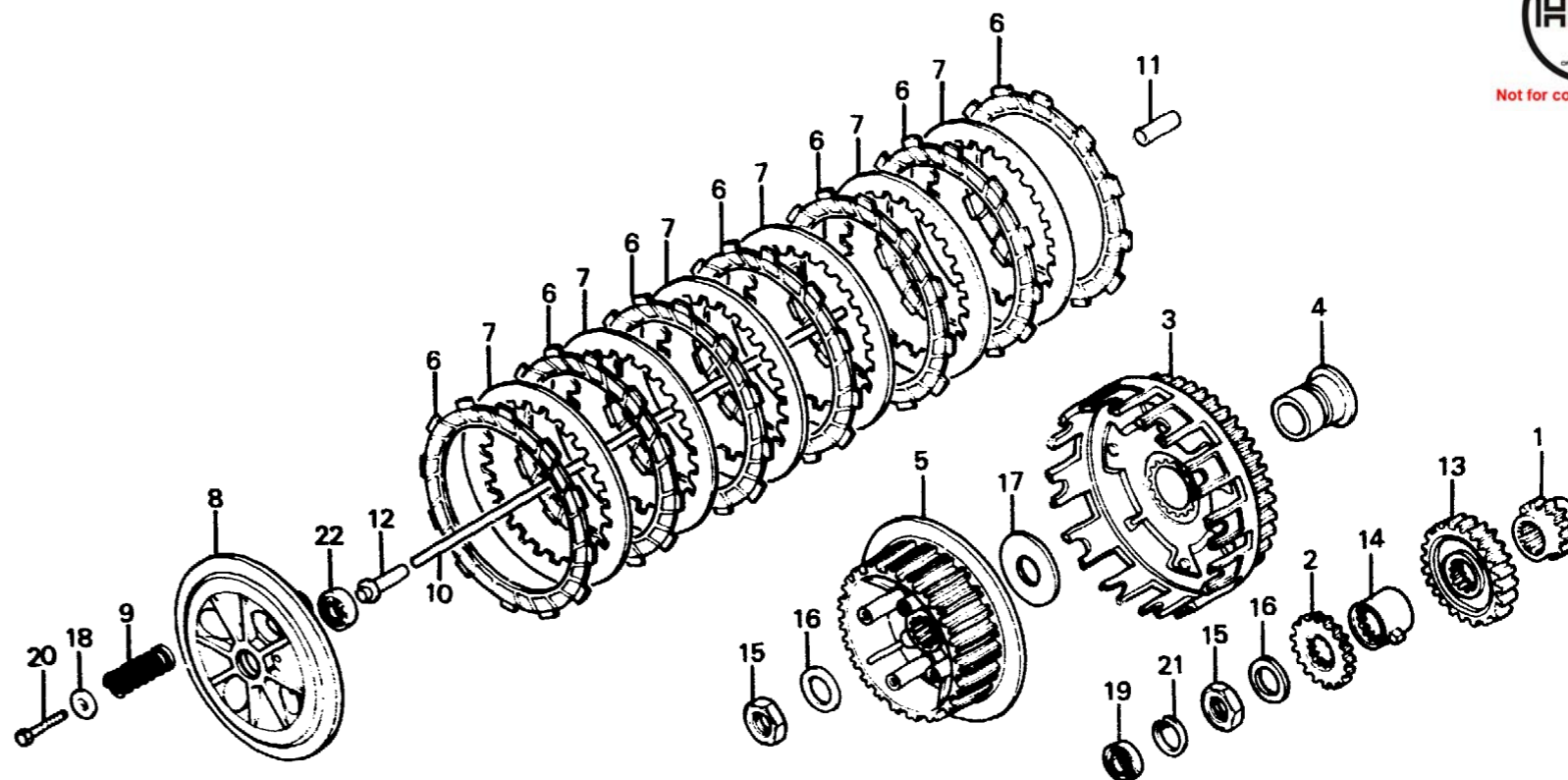
E-7

Clutch

Embrayage

Kupplung

Embrague



BMG2-4

Service item	F.R.T.	Ref. No.	Part No.	Description	Reqd. No. XL600						Serial No.	Area code
					Rd	Ld	RE	LE	Rf	Lf		
		14	30220-MG3-000	BOSS, PULSER	1	1						B,CM,E,ED,F,G IT,SA,SD,SW,U
			30220-MG2-770	BOSS, PULSER	1				1	1		AR,1G,2G B,CM,E,ED,F,IT SA,SD,SW,U
		15	90235-KA4-000	NUT, 18MM	2	2	2	2	2	2		
		16	90432-428-000	WASHER, LOCK	2	2	2	2	2	2		
		17	90452-471-000	WASHER, THRUST, 22MM	1	1	1	1	1	1		
		18	90481-259-000	WASHER, 6X19	4	4	4	4	4	4		
		19	91201-KF0-003	OIL SEAL, 14X22X5	1	1	1	1	1	1		
			91201-KF0-004	OIL SEAL, 14X22X5	1	1	1	1	1	1		
		*20	92022-06022-0A	BOLT, HEX., 6X22	4	4	4	4	4	4		
		21	94520-24000	CIRCLIP, INTERNAL, 24MM	1	1	1	1	1	1		
		*22	96100-60010-00	BEARING, RADIAL BALL, 6001	1	1	1	1	1	1		

D 5



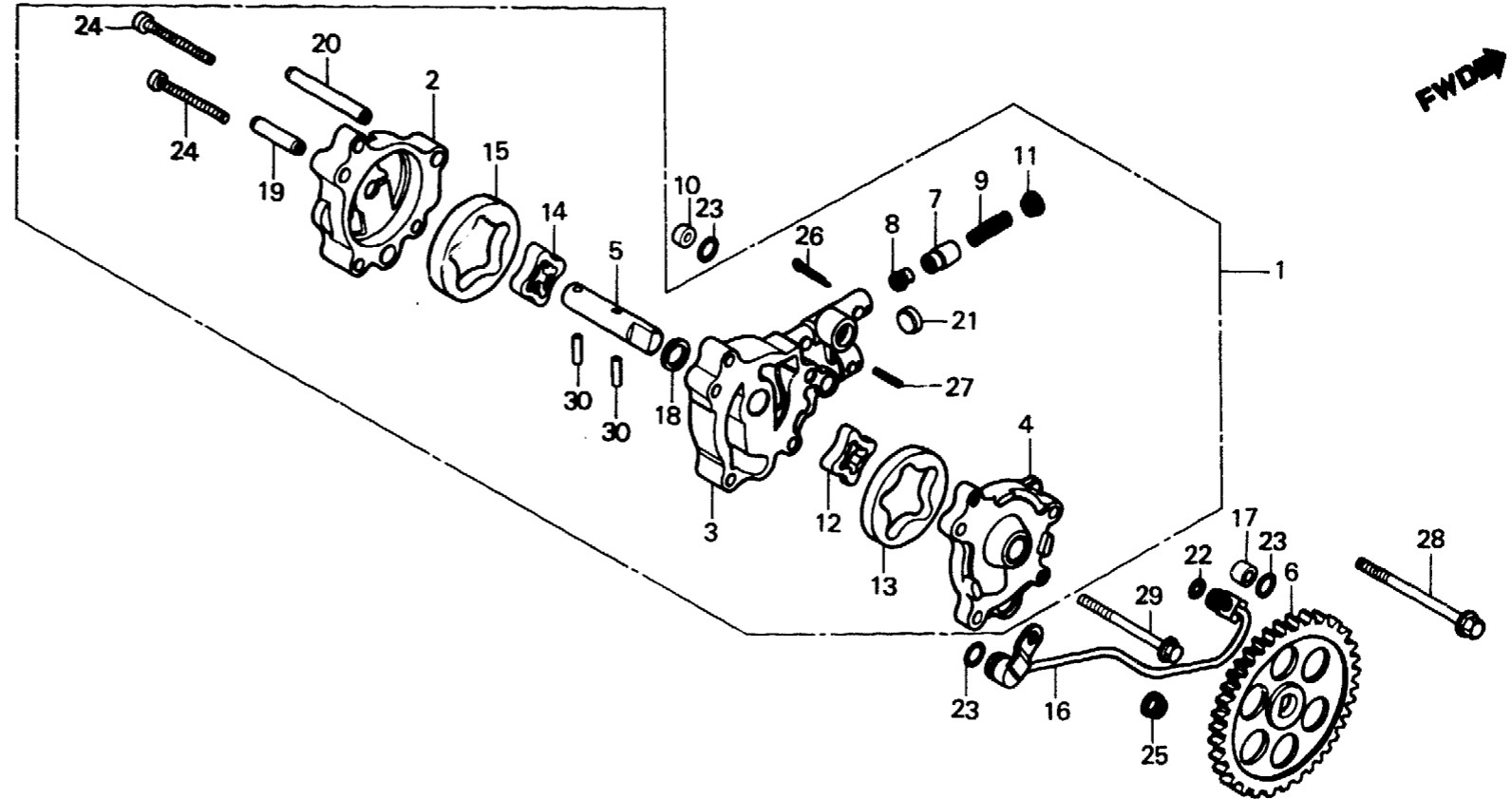
E-8

Oil pump

Pompe à huile

Ölpumpe

Bomba de aceite



BMG3-8

Service item	F.R.T.	Ref. No.	Part No.	Description	Reqd. No. XL600						Serial No.	Area code
					Rd	Ld	RE	LE	Rf	Lf		
PUMP ASSY., OIL (INC. RELATIVE PART)	0.9	1	15100-MG3-000	PUMP ASSY., OIL	1	1	1	1	1	1		
GEAR, OIL PUMP DRIVEN	0.6	2	15101-MG3-000	BASE, OIL PUMP	1	1	1	1	1	1		
PIPE COMP., OIL	0.8	3	15102-MG3-000	SPACER	1	1	1	1	1	1		
		4	15103-MG3-000	BODY, OIL PUMP	1	1	1	1	1	1		
		5	15104-MG3-000	SHAFT, OIL PUMP	1	1	1	1	1	1		
		6	15105-MG3-000	GEAR, OIL PUMP DRIVEN (48T)	1	1	1	1	1	1		
		7	15106-MG3-000	VALVE, OIL LEAK STOPPER	1	1	1	1	1	1		
		8	15107-MG3-000	SEAL, OIL LEAK STOPPER	1	1	1	1	1	1		
		9	15108-MG3-000	SPRING, OIL LEAK STOPPER	1	1	1	1	1	1		
		10	15109-MG3-000	ORIFICE, 3.3MM	1	1	1	1	1	1		
		11	15111-MG3-000	SEAT B, SPRING	1	1	1	1	1	1		
		12	15115-MG3-000	ROTOR A, OIL PUMP INNER	1	1	1	1	1	1		
		13	15116-MG3-000	ROTOR A, OIL PUMP OUTER	1	1	1	1	1	1		

D 6



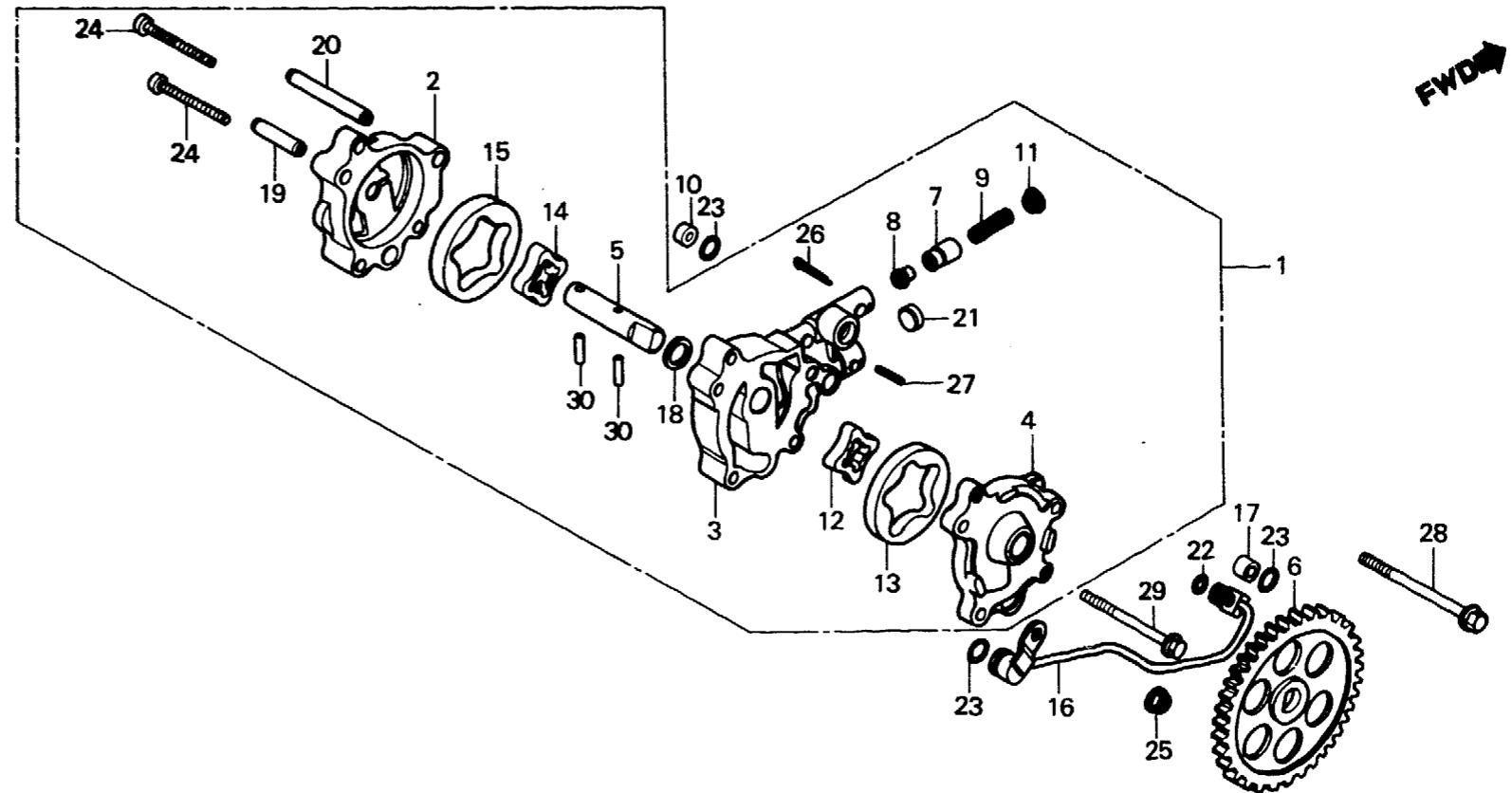
E-8

Oil pump

Pompe à huile

Ölpumpe

Bomba de aceite



BMG3-8

Service item	F.R.T.	Ref. No.	Part No.	Description	Reqd. No.						Serial No.	Area code
					Rd	Ld	XL600 RE	LE	Rf	Lf		
		14	15121-MG3-000	ROTOR, INNER	1	1	1	1	1	1		
		15	15122-MG3-000	ROTOR, OUTER	1	1	1	1	1	1		
		16	15510-MG3-000	PIPE COMP., OIL	1	1	1	1	1	1		
		17	17958-197-300	HOLDER	1	1	1	1	1	1		
		18	90456-333-000	WASHER, THRUST, 11MM	1	1	1	1	1	1		
		19	90701-MG3-000	PIN, DOWEL, 8X24	1	1	1	1	1	1		
		20	90702-MG3-000	PIN, DOWEL, 8X44	1	1	1	1	1	1		
		21	90802-MG3-000	PLUG, SEALING, 11MM	1	1	1	1	1	1		
		22	91301-473-003	O-RING, 7X1.7	1	1	1	1	1	1		
		23	91306-MG3-000	O-RING, 1.5X9.5	3	3	3	3	3	3		
		24	93500-05040-0A	SCREW, PAN, 5X40	2	2	2	2	2	2		
		25	94050-06080	NUT, FLANGE, 6MM	1	1	1	1	1	1		
		26	94201-03200	PIN, SPLIT, 3MM	1	1	1	1	1	1		
		27	94305-25182	PIN, SPRING, 2.5X18	1	1	1	1	1	1		
		28	96000-06055-00	BOLT, FLANGE, 6X55	1	1	1	1	1	1		
		29	96000-06060-00	BOLT, FLANGE, 6X60	2	2	2	2	2	2		
		30	96220-40158	ROLLER, 4X15.8	2	2	2	2	2	2		

D 7

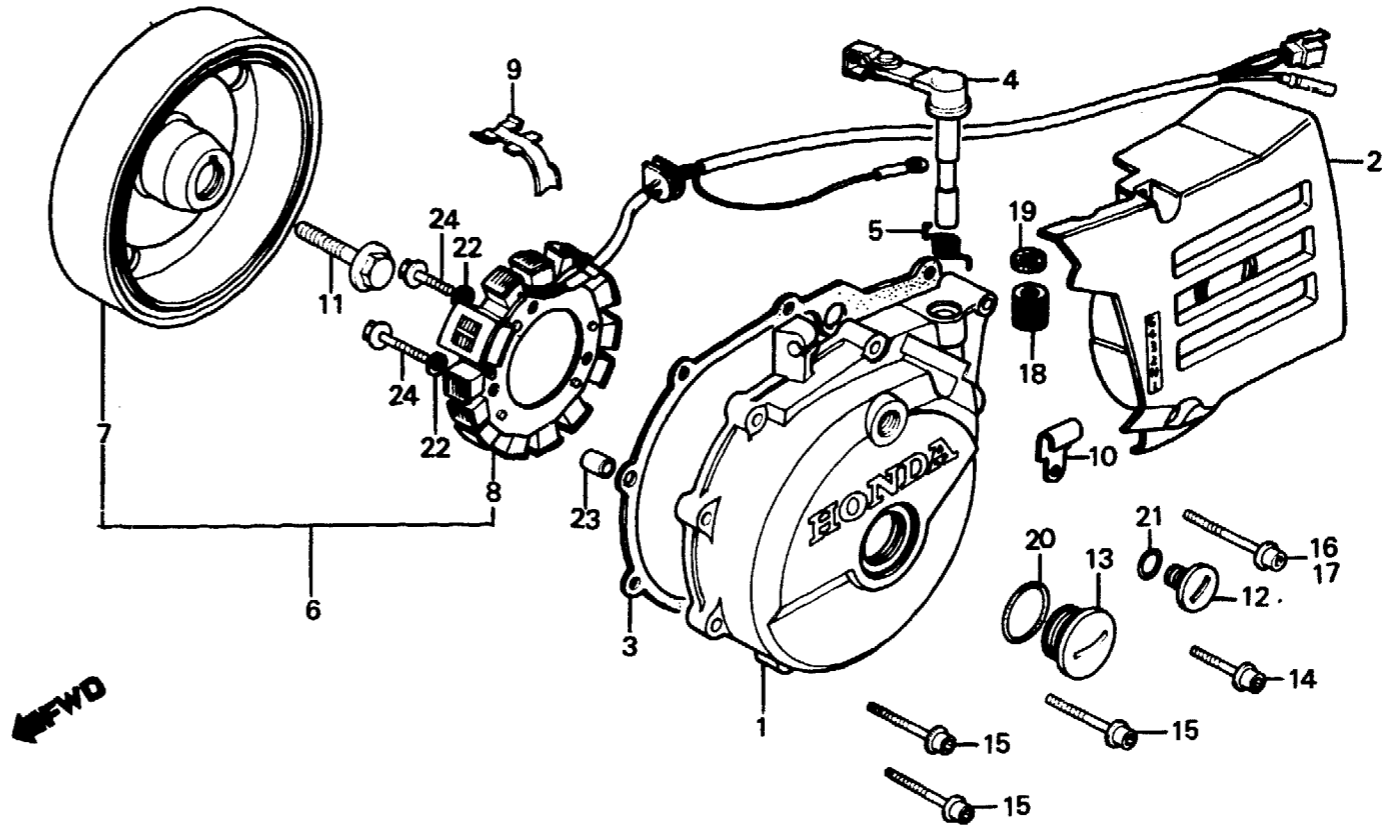
E-9

Generator

Générateur

Lichtmaschine

Generador



BMG2-5

Service item	F.R.T.	Ref. No.	Part No.	Description	Reqd. No. XL600						Serial No.	Area code
					Rd	Ld	RE	LE	Rf	Lf		
COVER, L. CRANKCASE	0.5	1	11341-MG2-000	COVER, L. CRANKCASE	1	1	1	1	1	1		
• FLYWHEEL COMP.		2	11351-MG2-000	COVER, L. RR. CRANKCASE	1	1	1	1	1	1		
COVER, L. RR. CRANKCASE	0.1	3	11395-MG2-000	GASKET, L. CRANKCASE COVER	1	1	1	1	1	1		
GASKET, L. CRANKCASE COVER	0.4	4	22810-MG3-000	LEVER COMP., CLUTCH	1	1	1	1	1	1		
• LEVER COMP., CLUTCH (INC. RELATIVE PART)		5	22815-MG3-000	SPRING, CLUTCH LEVER	1	1	1	1	1	1		
GENERATOR ASSY., A.C.	0.7	6	31100-MG2-005	GENERATOR ASSY., A.C.	1	1						B,CM,E,ED,F,G IT,SA,SD,SW,U
STATOR COMP.	0.6		31100-MG2-771	GENERATOR ASSY., FLYWHEEL TYPE	1							AR
		*	31100-MG2-772	GENERATOR ASSY., FLYWHEEL TYPE A.C.			1	1		1	1	
			31100-MG2-772	GENERATOR ASSY., FLYWHEEL TYPE A.C.						1	1	
		7	31110-MG2-005	FLYWHEEL COMP.	1	1						B,CM,E,ED,F,G IT,SA,SD,SW,U
			31110-MG2-771	FLYWHEEL COMP.	1				1			AR,1G,2G B,CM,E,ED,F,IT SA,SD,SW,U
		8	31120-MG2-005	STATOR COMP.	1	1	1	1				
		*	31120-MG2-015	STATOR COMP.					1	1		

D 8

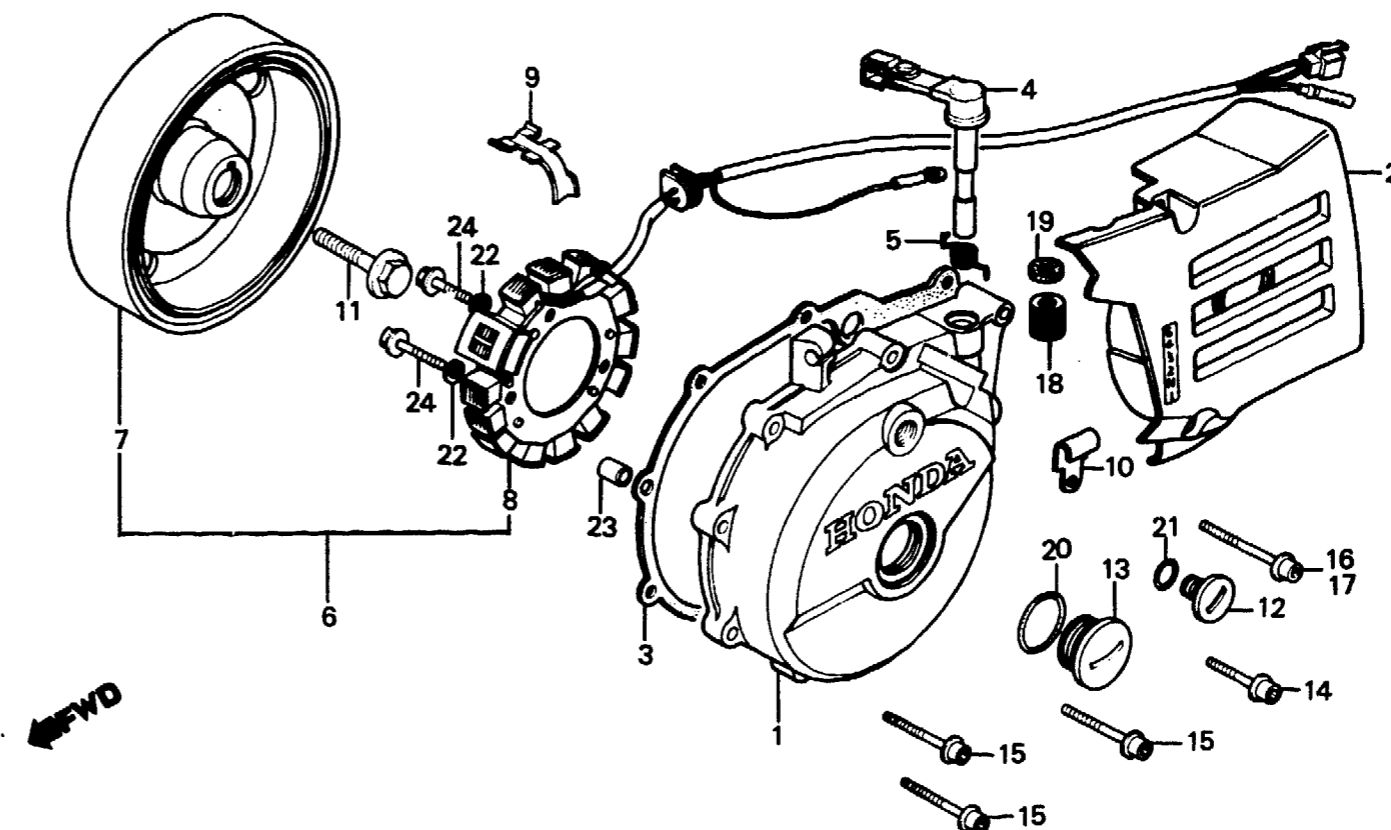
E-9

Generator

Générateur

Lichtmaschine

Generador



BMG2-5

Service item	F.R.T.	Ref. No.	Part No.	Description	Reqd. No. XL600						Serial No.	Area code
					Rd	Ld	Re	Lf	Rf	Lf		
		9	32111-MG3-000	CLAMPER, CORD	1	1	1	1	1	1		
		10	35610-425-000	CLIP, NEUTRAL SWITCH CORD	1	1	1	1	1	1		
		11	90023-MG3-000	BOLT, FLANGE, 12X50	1	1	1	1	1	1		
		12	90084-471-000	CAP, A.C. GENERATOR	1	1	1	1	1	1		
		13	90087-471-000	CAP, 30MM	1	1	1	1	1	1		
		14	90091-KF0-000	BOLT, FLANGE SOCKET, 6X25	1	1	1	1	1	1		
		15	90092-MG3-000	BOLT, FLANGE SOCKET, 6X35	6	6	6	6	6	6		
		16	90093-YF0-000	BOLT, FLANGE SOCKET, 6X40	2				2			AR,1G,2G
					3	3	2	2	2	2		B,CM,E,ED,F,G
		17	90095-MG3-000	BOLT, FLANGE SOCKET, 6X40	1				1			IT,SA,SD,SW,U
							1	1	1	1		AR,1G,2G
												B,CM,E,ED,F,IT
		18	91053-719-005	BEARING, NEEDLE, 12X16X10	1	1	1	1	1	1		SA,SD,SW,U

D 9

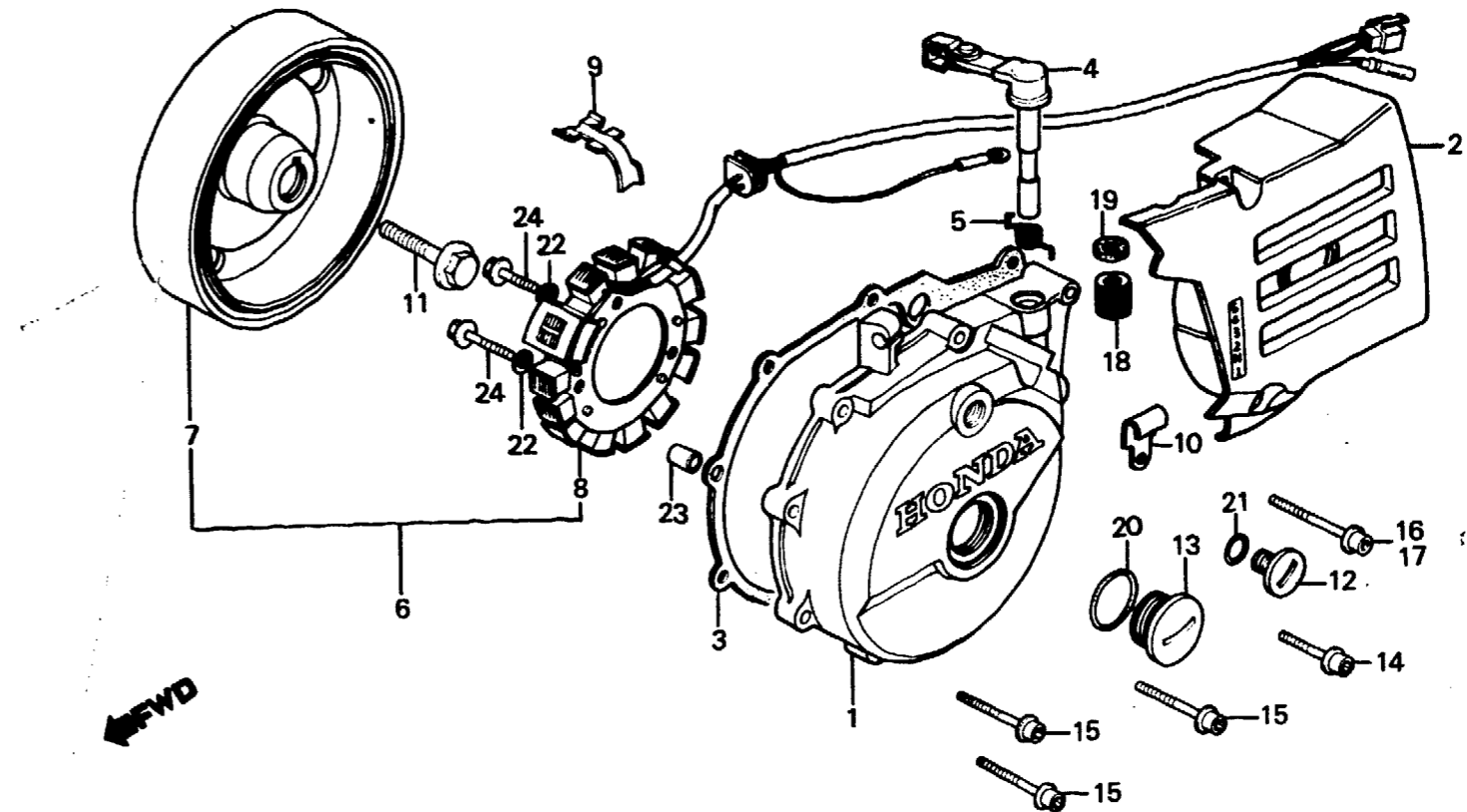
E-9

Generator

Générateur

Lichtmaschine

Generador



BMG2-5

Service item	F.R.T.	Ref. No.	Part No.	Description	Reqd. No.						Serial No.	Area code
					Rd	Ld	XL600	RE	LE	Rf		
		19	91255-729-721	OIL SEAL, 12X17X2.5	1	1						B,CM,E,ED,F,G IT,SA,SD,SW,U
			91255-KF0-003	OIL SEAL, 12X17X2.5	1				1	1	1	AR,1G,2G B,CM,E,ED,F,IT SA,SD,SW,U
			91255-KF0-004	OIL SEAL, 12X17X2.5	1				1	1	1	AR,1G,2G B,CM,E,ED,F,IT SA,SD,SW,U
		20	91301-028-000	O-RING, 27X2.0	1	1						B,CM,E,ED,F,G IT,SA,SD,SW,U
			91305-KF0-003	O-RING, 27X2	1				1	1	1	AR,1G,2G B,CM,E,ED,F,IT SA,SD,SW,U
		21	91303-377-000	O-RING, 13.8X2.5	1	1	1	1	1	1	1	
		22	94111-06000	WASHER, SPRING, 6MM	3	3	3	3				
		23	94301-08140	PIN, DOWEL, 8X14	2	2	2	2	2	2	2	
		24	96000-06028-00	BOLT, FLANGE, 6X28	3	3	3	3	3	3	3	

D 10

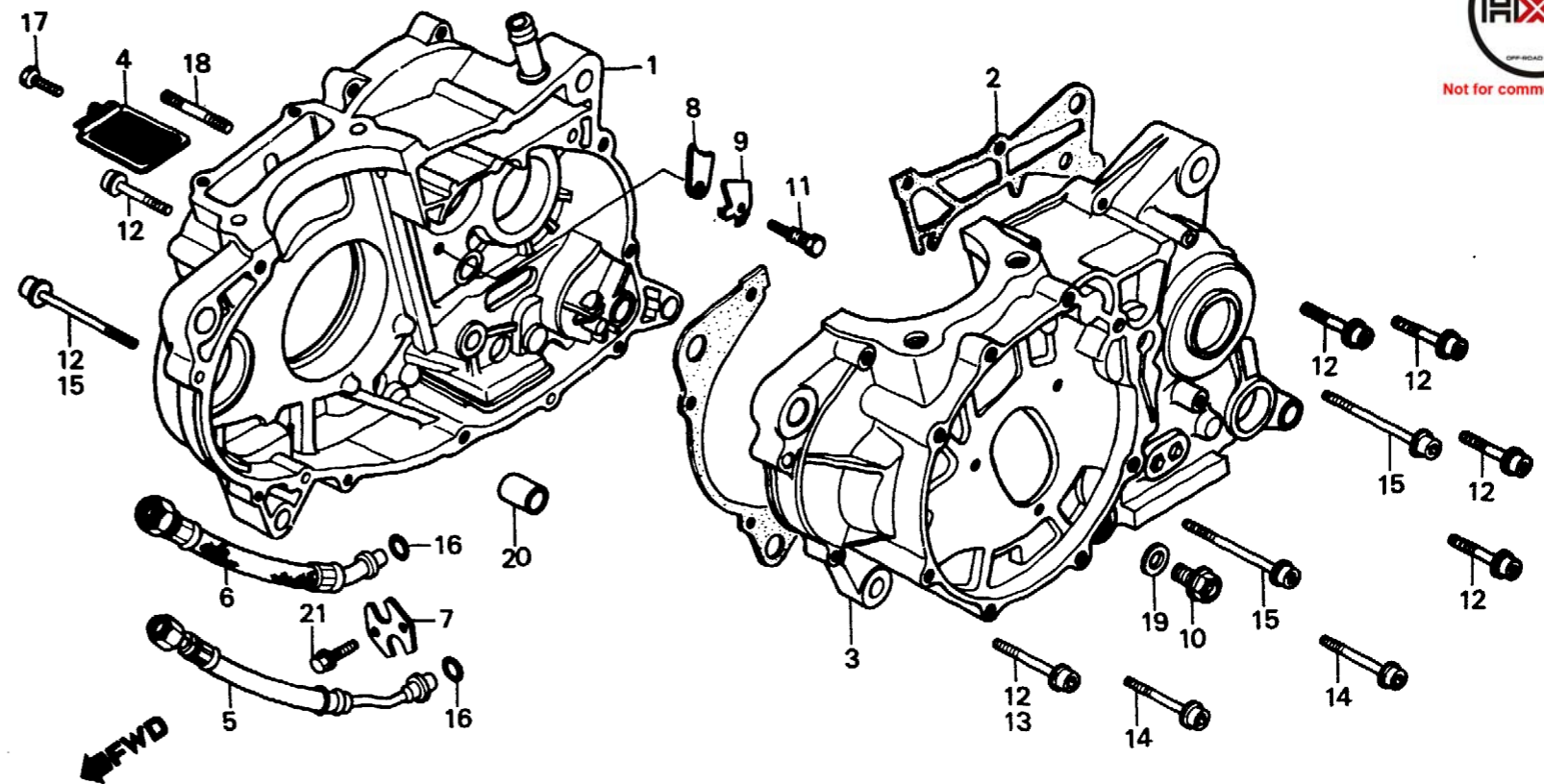
E-10

Crankcase

Carter moteur

Kurbelgehäuse

Cárter de motor



BMG2-6A

Service item	F.R.T.	Ref. No.	Part No.	Description	Reqd. No. XL600						Serial No.	Area code
					Rd	Ld	RE	LE	Rf	Lf		
CRANKCASE COMP., R.	*5.6	1	11100-MG3-000	CRANKCASE COMP., R.	1	1	1	1				
GASKET, CRANKCASE	*5.1	*	11100-MG3-010	CRANKCASE COMP., R.					1	1		
CRANKCASE COMP., L.	*6.2	2	11191-MG3-000	GASKET, CRANKCASE	1	1	1	1				
SCREEN, OIL FILTER	0.6	*	11191-MG2-790	GASKET, CRANKCASE					1	1		
HOSE, OIL	0.4	3	11200-MG2-000	CRANKCASE COMP., L.	1	1	1	1				
(ADD 0.1 FOR EACH.)		*	11200-MG2-790	CRANKCASE COMP., L.					1	1		
		4	15421-MG3-000	SCREEN, OIL FILTER	1	1	1	1	1	1		
		5	15610-MG3-003	HOSE, OIL (A)	1	1	1	1	1	1		
		6	15620-MG3-003	HOSE B	1	1	1	1	1	1		
		7	15630-MG3-000	PLATE	1	1	1	1	1	1		
		8	23521-MG3-000	PLATE	1	1	1	1	1	1		
		9	23523-MG3-000	WASHER, LOCK, 8MM	1	1	1	1				
		*	23523-MG2-790	WASHER, LOCK, 8MM					1	1		
		10	90015-KA3-710	BOLT, SPECIAL, 12MM	1	1						

B,CM,E,ED,F,G
IT,SA,SD,SW,U

D 11

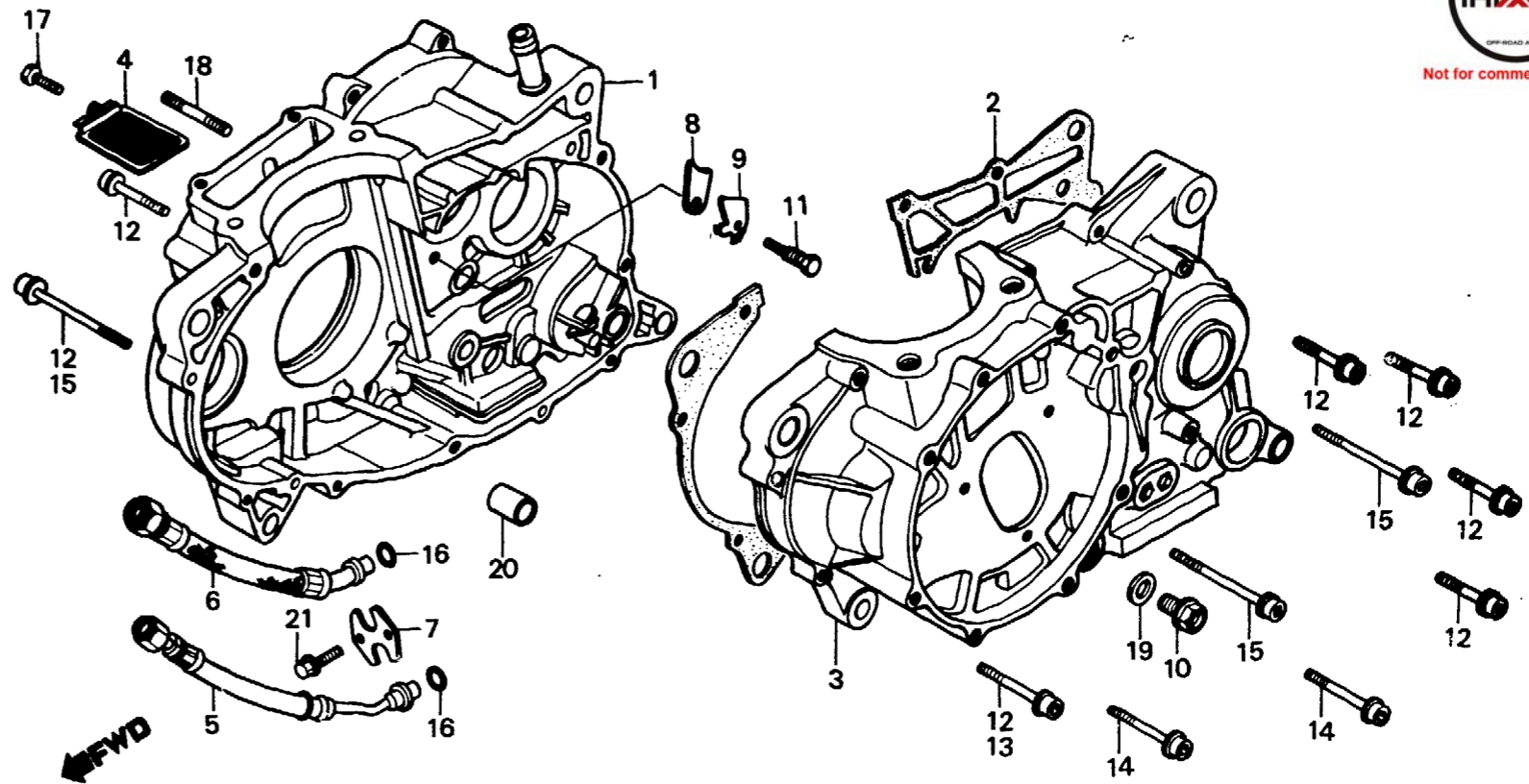
E-10

Crankcase

Carter moteur

Kurbelgehäuse

Cárter de motor



BMG2-6A

Service item	F.R.T.	Ref. No.	Part No.	Description	Reqd. No. XL600						Serial No.	Area code
					Rd	Ld	Re	Le	Rf	Lf		
			90015-KA3-711	BOLT, SPECIAL, 12MM	1				1			AR,1G,2G B,CM,E,ED,F,IT SA,SD,SW,U
		11	90088-MG3-000	BOLT, SPECIAL, 8MM	1	1	1	1	1	1		AR,B,E,ED,F,G IT,SA,SD,SW,U 1G,2G CM
		12	90091-MG3-000	BOLT, FLANGE SOCKET, 6X32	7	7		7	5	5		
					7		7					
		*13	90093-KF0-000	BOLT, FLANGE SOCKET, 6X40					1	1		B,E,ED,F,G,IT SA,SD,U AR,1G,2G B,CM,E,ED,F,IT SA,SD,SW,U
		14	90093-MG3-000	BOLT, FLANGE SOCKET, 6X45	2	2	2	2	2	2		
		15	90094-MG3-000	BOLT, FLANGE SOCKET, 6X50	2	2	2	2	3	3		
		16	91352-425-003	O-RING, 9.8X2.4	2							
			91301-KF0-000	GASKET, RUBBER, 9.8MM	2				2	2		
							2	2	2	2		

D 12

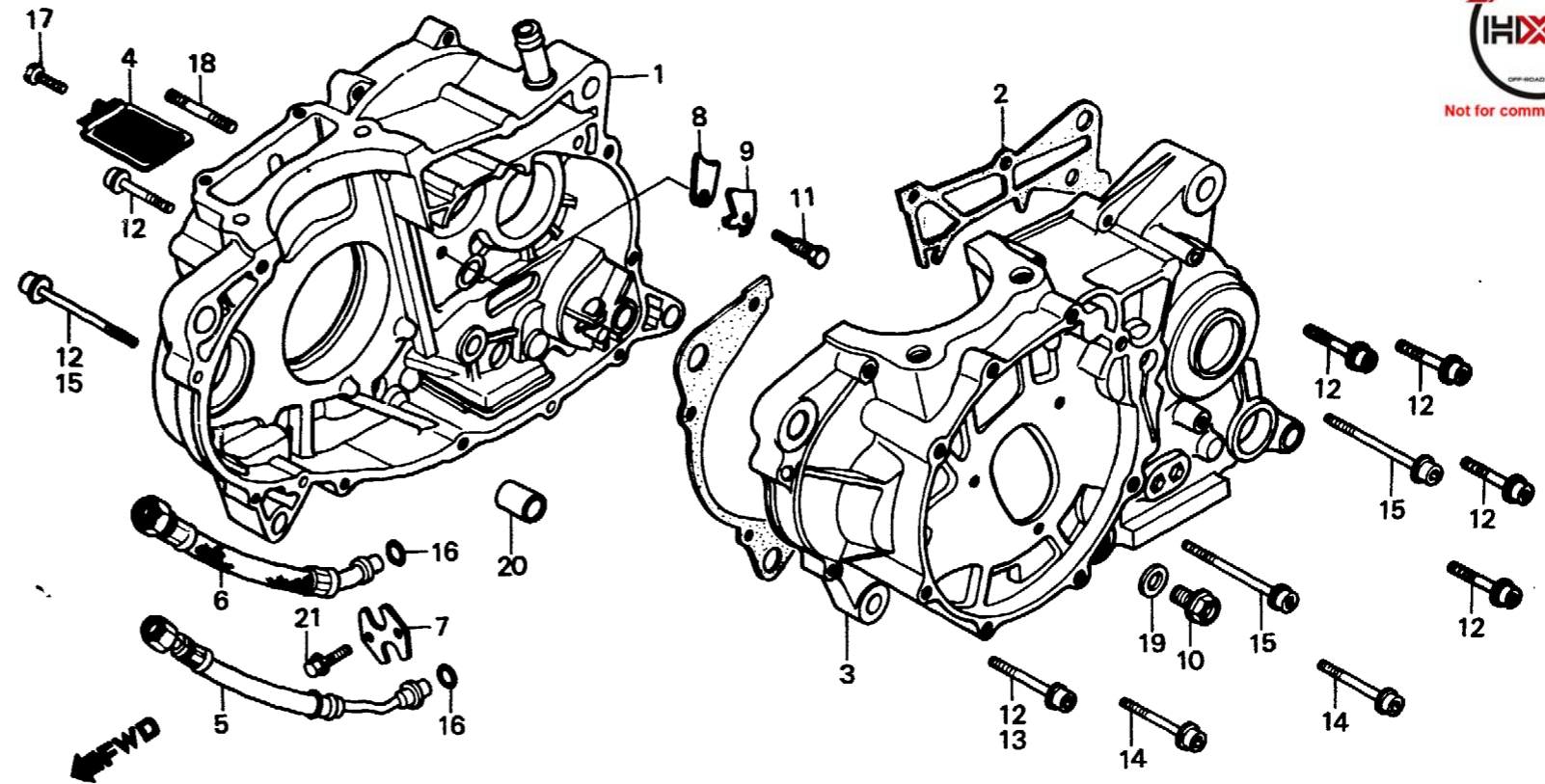
E-10

Crankcase

Carter moteur

Kurbelgehäuse

Cárter de motor



BMG2-6A

Service item	F.R.T.	Ref. No.	Part No.	Description	Reqd. No. XL600						Serial No.	Area code
					Rd	Ld	Re	Le	Rf	Lf		
		*17	92000-06012-0A	BOLT, HEX., 6X12	1	1	1	1	1	1		AR,1G,2G B,CM,E,ED,F,IT SA,SD,SW,U
		18	92700-06035-0E	BOLT, STUD, 6X35	2				2			
		19	94109-12000	WASHER, DRAIN PLUG, 12MM	1	1	1	1	1	1		
		20	94301-14200	PIN A, DOWEL, 14X20	3	3	3	3	3	3		
		21	96000-06016-07	BOLT, FLANGE, 6X16	2	2	2	2	2	2		