



Not for commercial use

2-G6

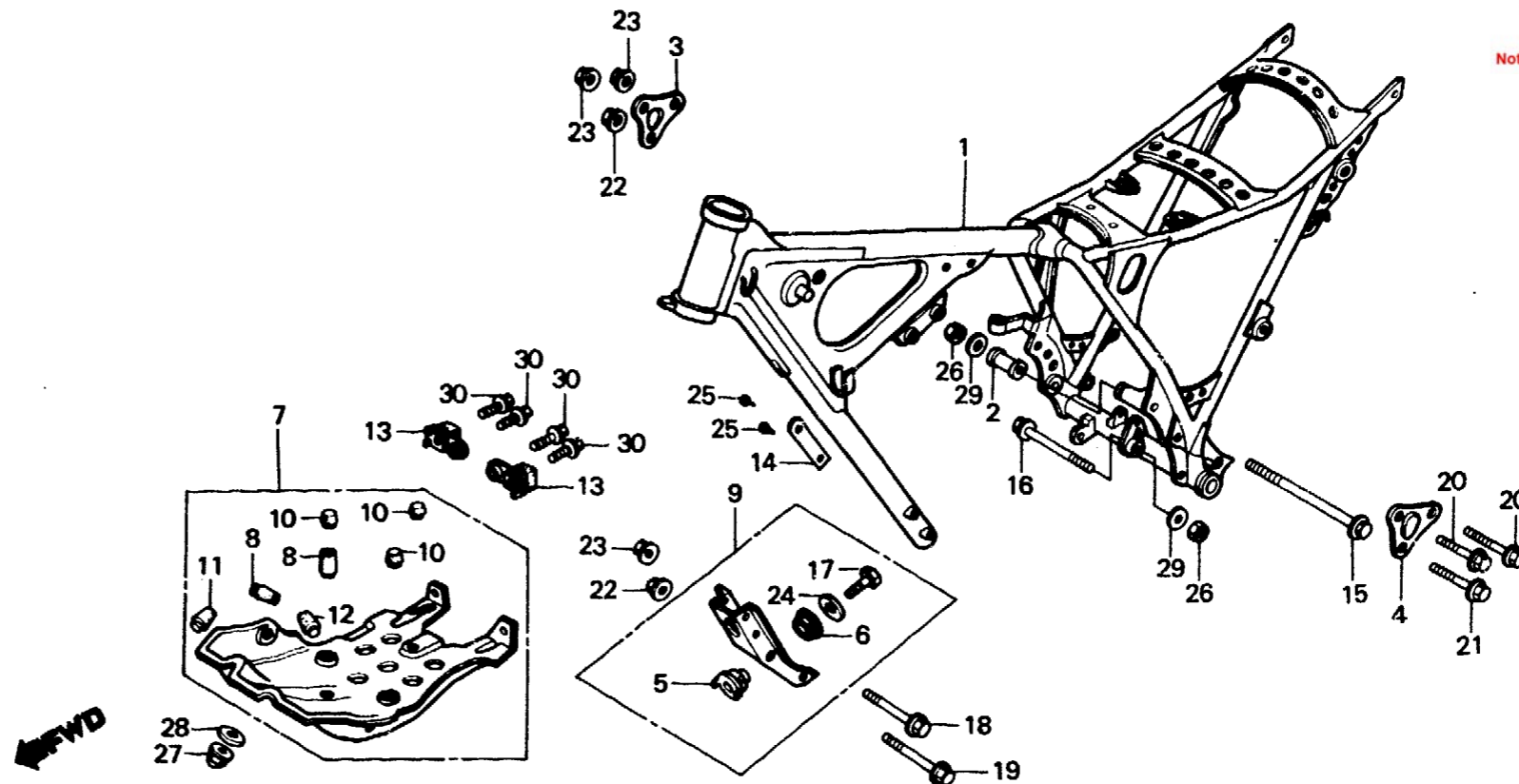
F-26-1

**Frame body
(XL500Rc)**

**Cadre
(XL500Rc)**

**Rahmen
(XL500Rc)**

**Cuerpo de cuadro
(XL500Rc)**



BMC4-20

Service item	F.R.T.	Ref. No.	Part No.	Description	Reqd. No. XL500				Serial No.	Area code
					Sz	SA	Ss	Rc		
		4	50139-429-000ZA	PLATE, L. ENGINE HANGER UPPER *NH-1*				1		
			50139-429-000ZC	PLATE, L. ENGINE HANGER UPPER *R-110*				1		
		5	50325-428-000	MOUNT A, SKID				1		
		6	50326-428-000	MOUNT B, SKID				1		
		7	50351-KB7-000	PLATE, SKID				1		
		8	50352-434-000	RUBBER A, STOPPER				2		
		9	50353-MC4-000ZA	HANGER, FR. ENGINE *R-110*				1		
			50353-MC4-000ZB	HANGER, FR. ENGINE *NH-1*				1		B,DK,DM,E,ED,F,IT,SA,SD U,1G,2G
		10	50354-428-000	RUBBER B, STOPPER				3		
		11	50354-434-000	RUBBER B, STOPPER				1		
		12	50355-434-000	RUBBER C, STOPPER				1		
		13	50361-MC4-000	RUBBER, SKID PLATE MOUNTING				2		
		14	87501-MC4-600	PLATE, REGISTERED NUMBER				1		B,E,ED,F,SD,IT,1G,2G
		15	90104-429-000	BOLT, FLANGE, 12X240				1		

1981.12.20

E

2-G6



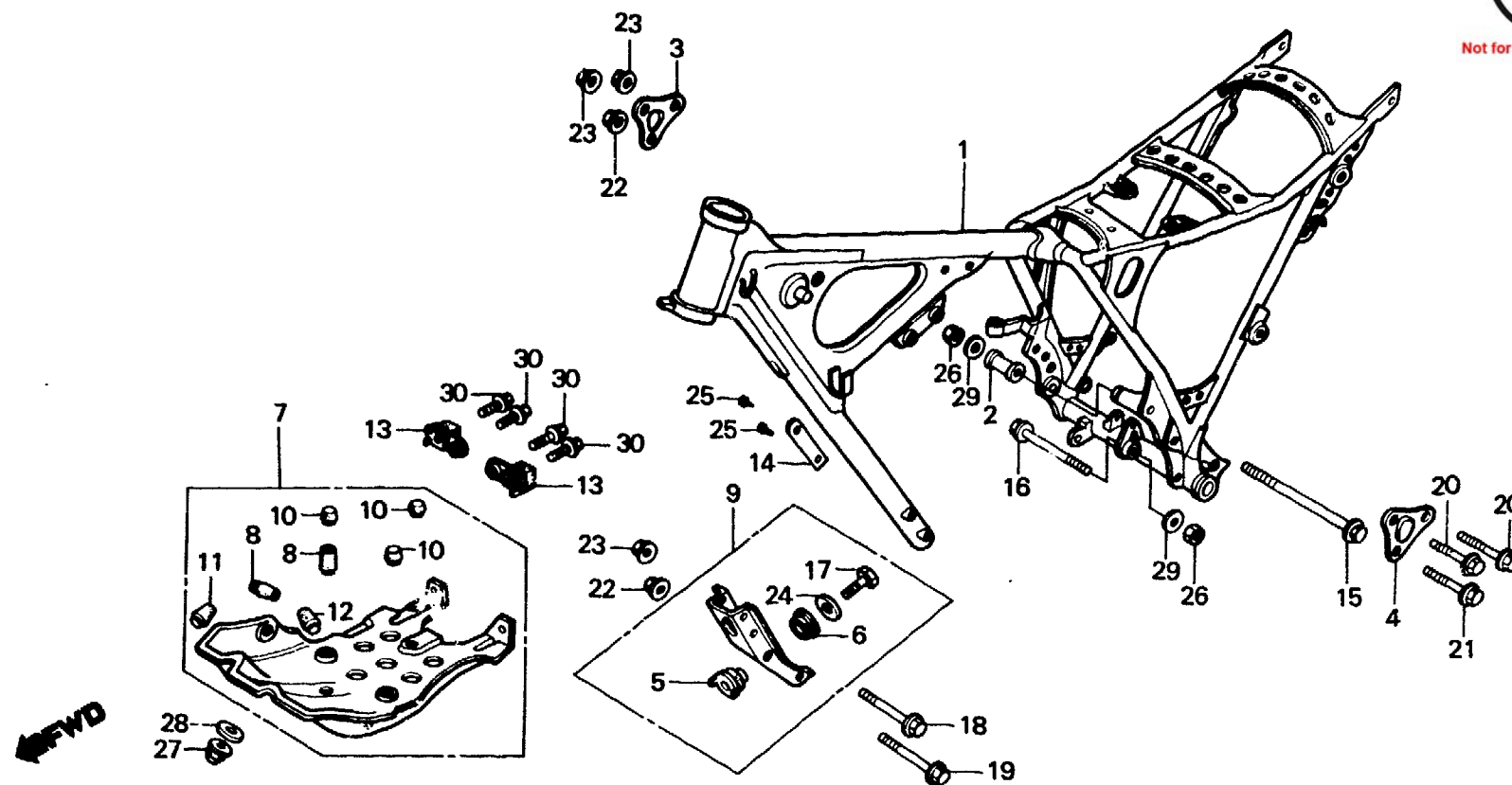
F-26-1

**Frame body
(XL500Rc)**

**Cadre
(XL500Rc)**

**Rahmen
(XL500Rc)**

**Cuerpo de cuadro
(XL500Rc)**



BMC4-20

Service item	F.R.T.	Ref. No.	Part No.	Description	Reqd. No.				Serial No.	Area code
					Sz	SA	SB	Rc		
		16	90114-MA0-000	BOLT, FLANGE, 12X140				1		
		17	90115-428-000	BOLT, HEX., 8X28				1		
		18	90154-MA0-000	BOLT, FLANGE, 8X60				2		
		19	90155-MA0-000	BOLT, FLANGE, 10X62				2		
		20	90156-MA0-770	BOLT, FLANGE, 8X65				2		
		21	90157-MA0-770	BOLT, FLANGE, 10X73				1		
		22	90308-382-670	NUT, FLANGE, 10MM				3		
		23	90309-357-000	NUT, UBS, 8MM				4		
		24	90534-011-000	WASHER, 8.3MM				1		
		25	90841-001-000	SCREW, RIVET, 1.5X5				2		B,E,ED,F,IT,SD,1G,2G
		26	94001-12000	NUT, HEX., 12MM				2		
		27	94021-08000-0S	NUT, CAP, 8MM				1		
		28	94101-08000	WASHER, PLAIN, 8MM				1		
		29	94101-12000	WASHER, PLAIN, 12MM				2		
		30	95700-06012-00	BOLT, FLANGE, 6X12				4		

2-G8

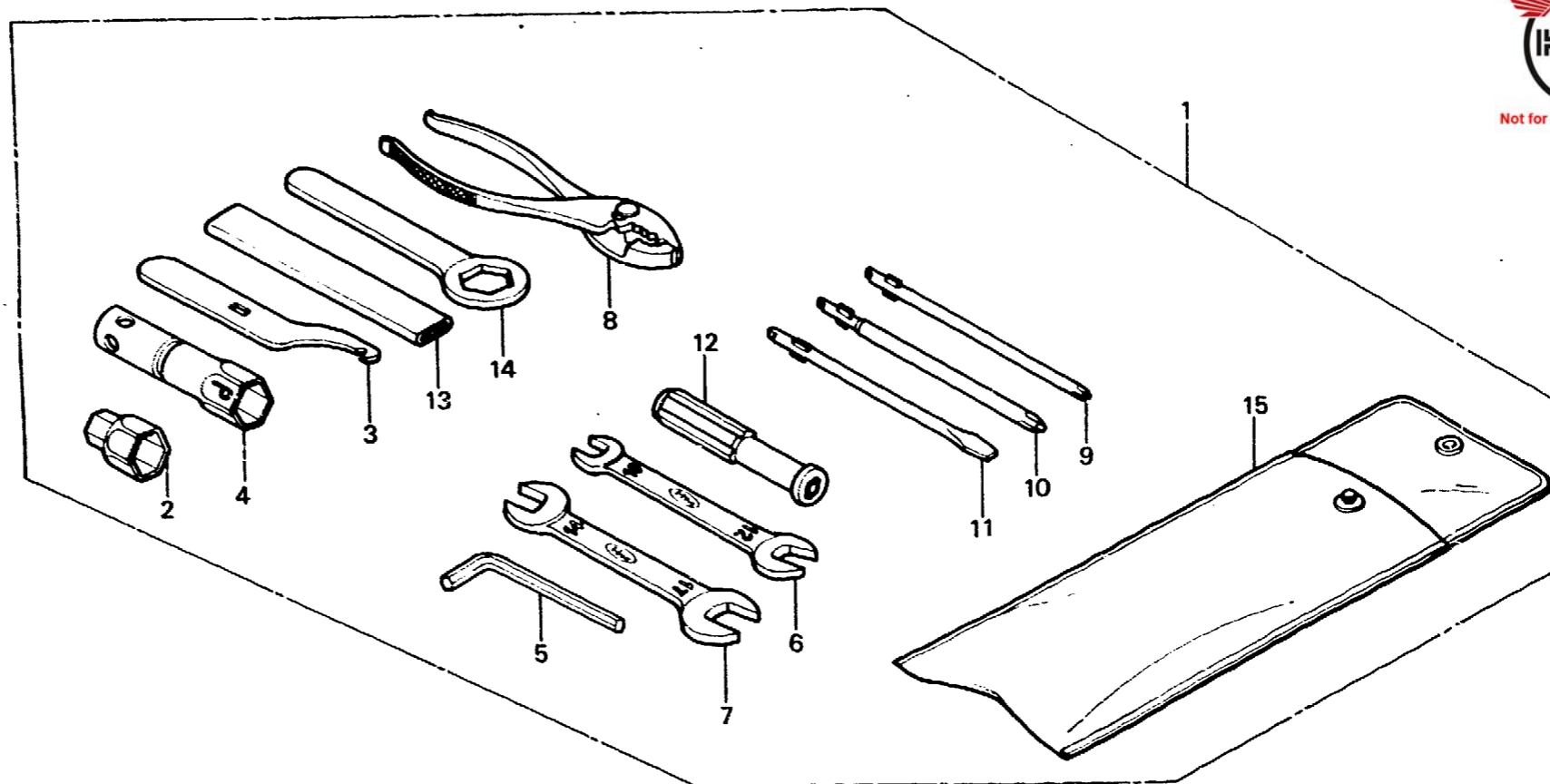
F-27

**Tool
(XL500Sz·SA·SB)**

**Outils
(XL500Sz·SA·SB)**

**Werkzeug
(XL500Sz·SA·SB)**

**Herramientas
(XL500Sz·SA·SB)**



Not for commercial use

B429-41

Service item	F.R.T.	Ref. No.	Part No.	Description	Reqd. No.				Serial No.	Area code
					Sz	SA	SB	Rc		
		1	89010-429-000	TOOL SET	1	1	1			
		2	89015-428-000	WRENCH, BOX, 22X17	1	1	1			
		3	89215-404-670	SPANNER, PIN	1	1	1			
		4	89216-376-000	WRENCH, PLUG	1	1	1			
		5	89221-429-000	WRENCH, HEX., 5MM	1	1	1			
		6	99001-10120	SPANNER, 10X12	1	1	1			
		7	99001-14170	SPANNER, 14X17	1	1	1			
		8	99002-13500	PLIERS, 135	1	1	1			
		9	99003-10000	DRIVER 2, PLUS SCREW	1	1	1			
		10	99003-20000	DRIVER 3, PLUS SCREW	1	1	1			
		11	99003-30000	DRIVER 2, MINUS SCREW	1	1	1			
		12	99003-50000	GRIP	1	1	1			
		13	99006-12000	HANDLE, EYE WRENCH, 120MM	1	1	1			
		14	99006-22000	WRENCH, EYE, 22MM	1	1	1			
		15	99008-02000	BAG, TOOL, 200MM	1	1	1			

2-G9

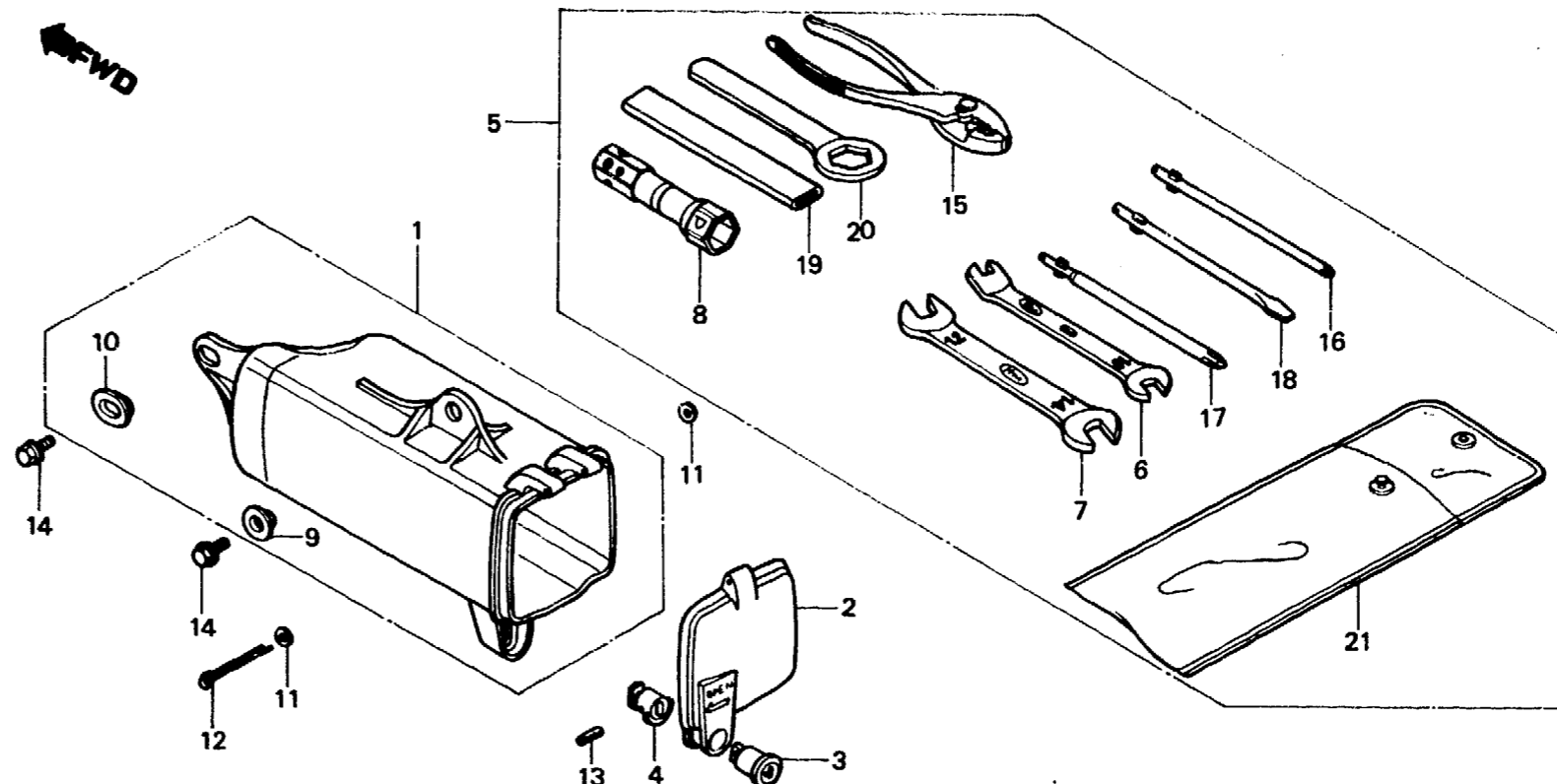
F-27-1

**Tool
(XL500Rc)**

**Outils
(XL500Rc)**

**Werkzeug
(XL500Rc)**

**Herramientas
(XL500Rc)**



BKB7-24

Service item	F.R.T.	Ref. No.	Part No.	Description	Reqd. No.				Serial No.	Area code
					Sz	SA	Ss	Rc		
BOX, TOOL	0.1	1	83501-KB7-000	BOX, TOOL					1	
		2	83504-KB7-000	CAP, TOOL BOX					1	
		3	83507-422-000	BODY, KEY					1	
		4	83508-438-000	STOPPER, KEY BODY					1	
		5	89010-KB7-000	TOOL SET					1	
		6	89215-KB7-000	SPANNER, 5.9X10					1	
		7	89216-KB7-000	SPANNER, 12X14					1	
		8	89217-KB7-000	WRENCH, BOX, P18					1	
		9	90512-300-000	WASHER, 6X20					1	
		10	90513-323-000	WASHER, 6X9					1	
		11	94101-03000	WASHER, PLAIN, 3MM					2	
		12	94201-30450	PIN, SPLIT, 3.0X45					1	
		13	94305-20141	PIN, SPRING, 2X14					1	
		14	95700-06016-00	BOLT, FLANGE, 6X16					2	
		15	99002-13500	PLIERS, 135					1	
		16	99003-10000	DRIVER 2, PLUS SCREW					1	
		17	99003-20000	DRIVER 3, PLUS SCREW					1	
		18	99003-30000	DRIVER 2, MINUS SCREW					1	

1981.12.20

E

2-G9

2-G10



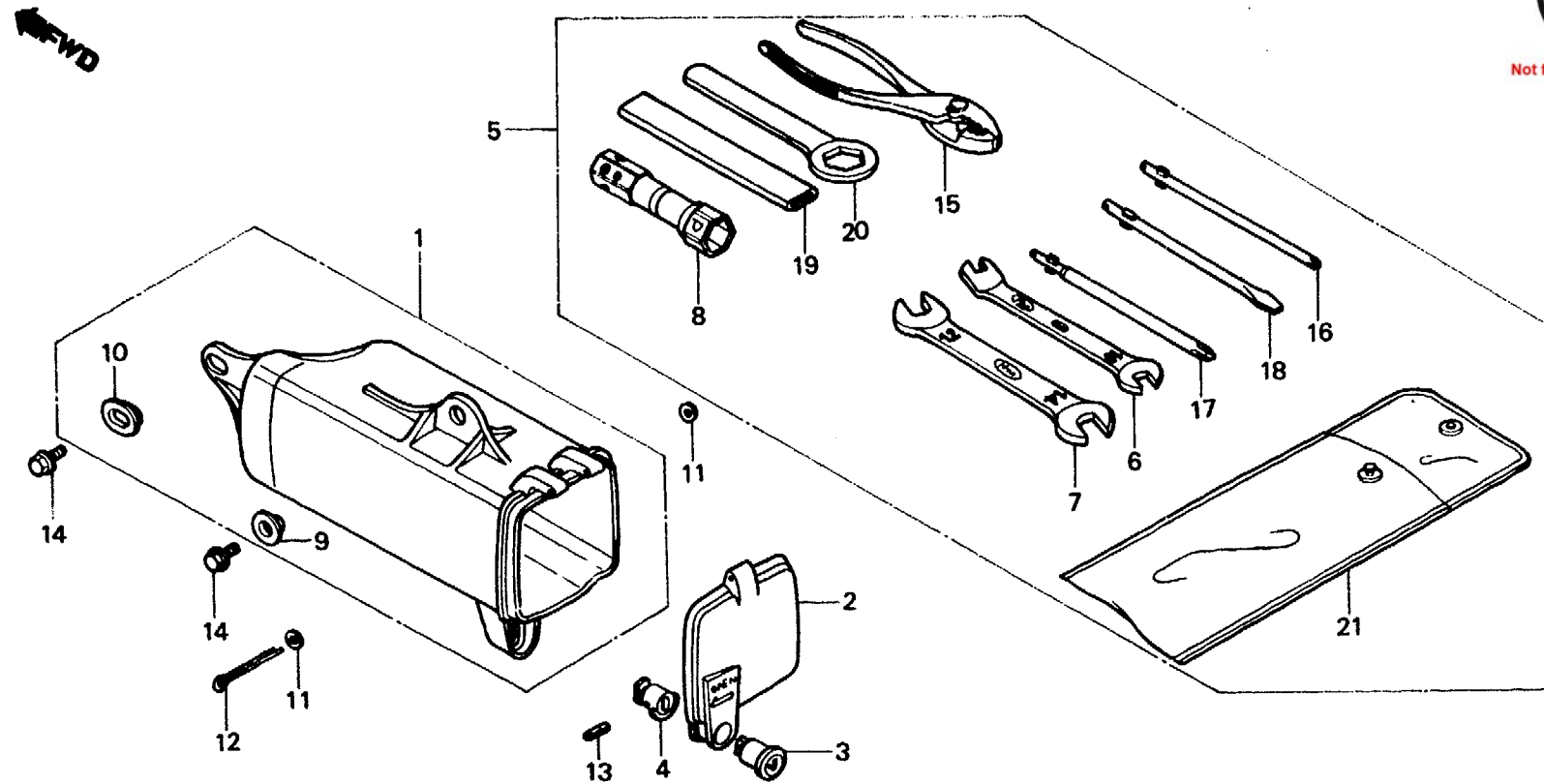
F-27-1

**Tool
(XL500Rc)**

**Outils
(XL500Rc)**

**Werkzeug
(XL500Rc)**

**Herramientas
(XL500Rc)**



BKB7-24

Service item	F.R.T.	Ref. No.	Part No.	Description	Reqd. No.				Serial No.	Area code
					Sz	SA	SA	Rc		
		19	99006-12000	HANDLE, EYE WRENCH, 120MM					1	
		20	99006-24000	WRENCH, EYE, 24MM					1	
		21	99008-01600	BAG, TOOL, 160MM					1	

1981.12.20

E

2-G10

2-G11

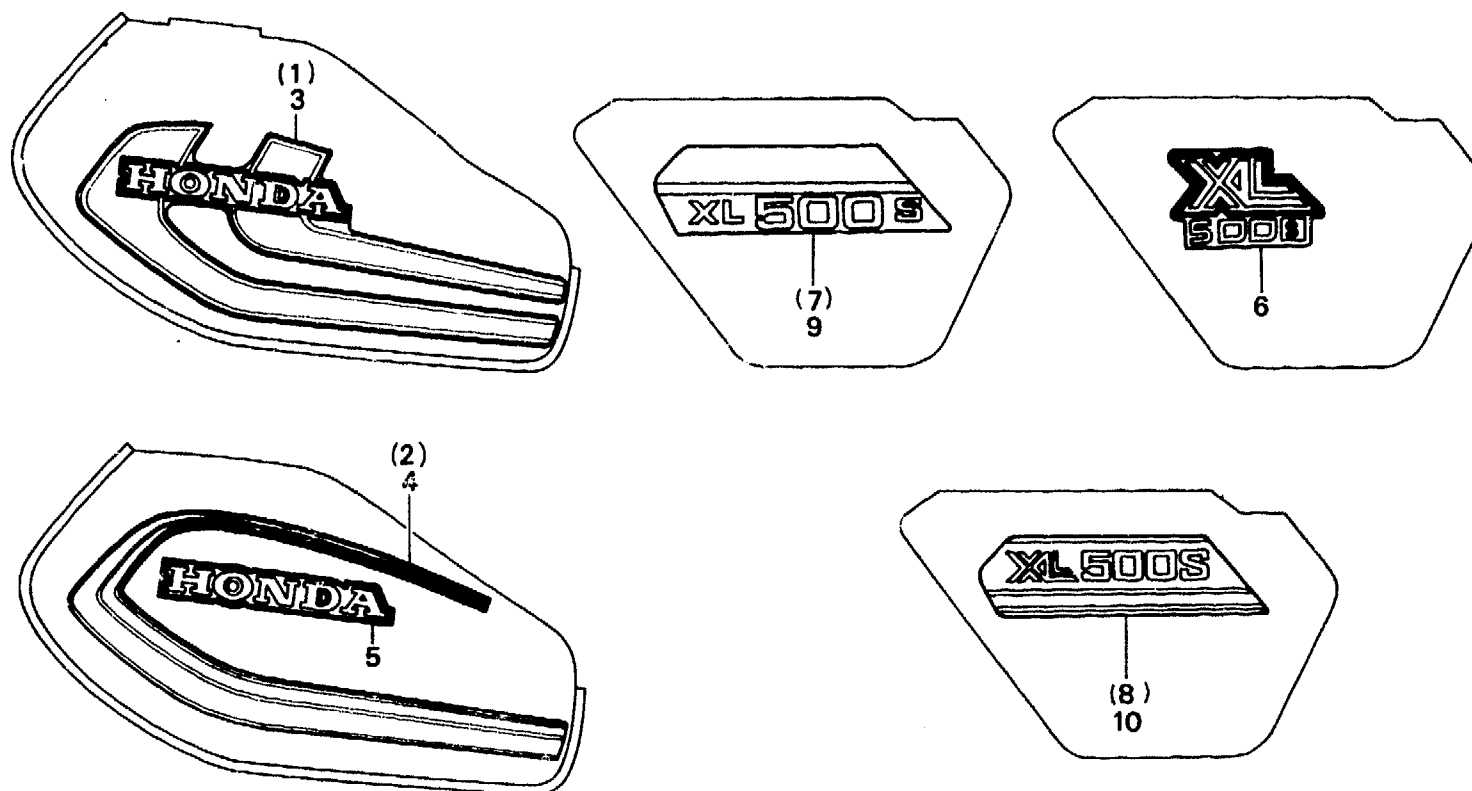
F-28

**Stripe-Emblem
(XL500Sz-SA)**

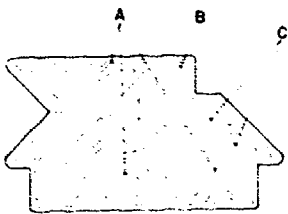
**Rayure-Embleme
(XL500Sz-SA)**

**Streifen-Emblem
(XL500Sz-SA)**

**Franja-Emblema
(XL500Sz-SA)**



B435-69

Service item	F.R.T.	Ref. No.	Part No.	Description	Reqd. No.				Serial No.	Area code
					Sz	SA	Sa	Rc		
		1	17506-435-300ZA	STRIPE, R. FUEL TANK (A.M.) *A-69*	1					
			17506-435-300ZB	STRIPE, R. FUEL TANK (A.M.) *A-70*	1					B,E,ED,F,1G,2G
		2	17506-435-770	STRIPE, R. FUEL TANK (A.M.)	1			1		CM
		3	17507-435-300ZA	STRIPE, L. FUEL TANK (A.M.) *A-69*	1					
			17507-435-300ZB	STRIPE, L. FUEL TANK (A.M.) *A-70*	1					B,E,ED,F,1G,2G
		4	17507-435-770	STRIPE, L. FUEL TANK (A.M.)	1					CM
		5	87123-428-920ZA	EMBLEM, FUEL TANK (A.M.) *TYPE 1*	2					B,DK,DM,E,ED,F,SA,SD,U 1G,2G
			87123-428-920ZB	EMBLEM, FUEL TANK (A.M.) *TYPE 2*	2					B,DK,DM,E,ED,F,SA,SD,U 1G,2G
			87123-435-770	EMBLEM, FUEL TANK (A.M.)	2					CM
		6	87127-435-860ZA	EMBLEM, SIDE COVER (A.M.) *TYPE 1*	2					B,DK,DM,E,ED,F,SA,SD,U 1G,2G

Color chart for side cover emblem

Type of emblem	fuel tank main color	Position		
		A	B	C
TYPE-1	Tahitian red	White	Black	Red
TYPE-2	Ceramic white	Black	White	Red

2-G12

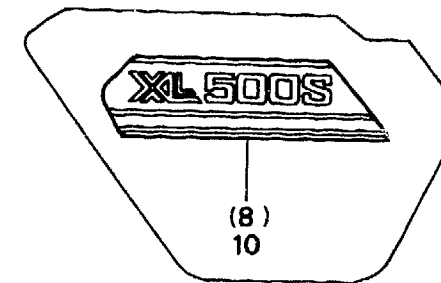
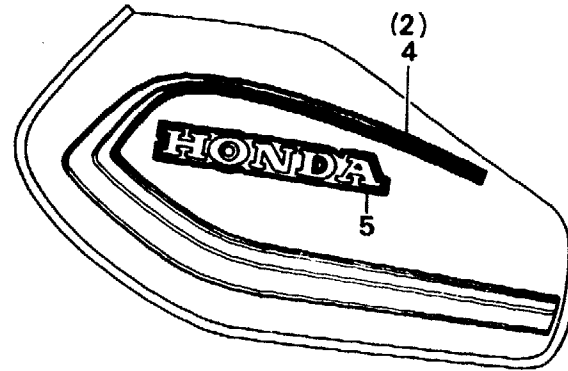
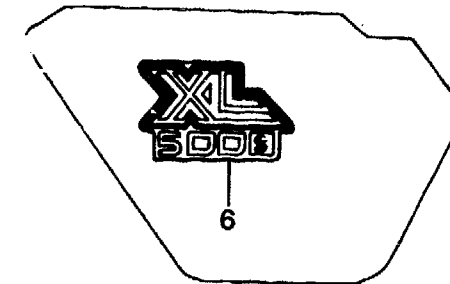
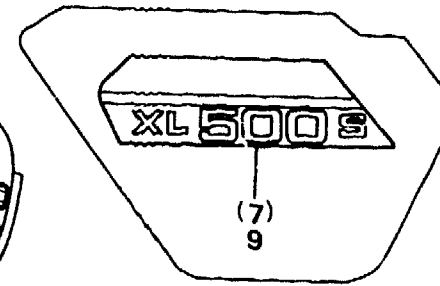
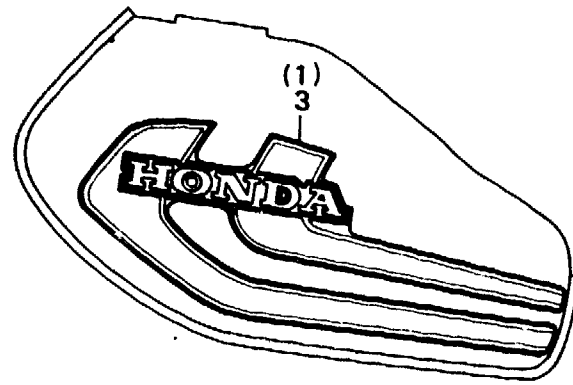
F-28

**Stripe-Emblem
(XL500Sz-SA)**

**Rayure-Embleme
(XL500Sz-SA)**

**Streifen-Emblem
(XL500Sz-SA)**

**Franja-Emblema
(XL500Sz-SA)**



Not for commercial use

B435-69

Service item	F.R.T.	Ref. No.	Part No.	Description	Reqd. No.				Serial No.	Area code
					Sz	XL500 SA	Ss	Rc		
			87127-435-860ZB	EMBLEM, SIDE COVER (A.M.) *TYPE 2*		2				B,DK,DM,E,ED,F,SA,SD,U 1G,2G
		7	87128-435-670ZA	EMBLEM, AIR CLEANER CASE COVER (A.M.) *A-69*	1					
			87128-435-670ZB	EMBLEM, AIR CLEANER CASE COVER (A.M.) *A-70*	1					B,E,ED,F,1G,2G
		8	87128-435-770	EMBLEM, AIR CLEANER CASE COVER (A.M.)	1					CM
		9	87129-435-670ZA	EMBLEM, R. SIDE COVER (A.M.) *A-69*	1					
			87129-435-670ZB	EMBLEM, R. SIDE COVER (A.M.) *A-70*	1					B,E,ED,F,1G,2G
		10	87129-435-770	EMBLEM, R. SIDE COVER (A.M.)	1					CM

2-G13

F-28-1

**Stripe-Emblem
(XL500S_B)**

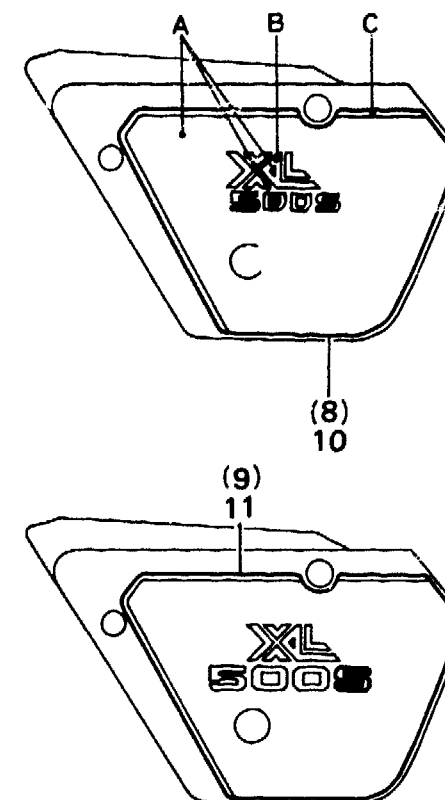
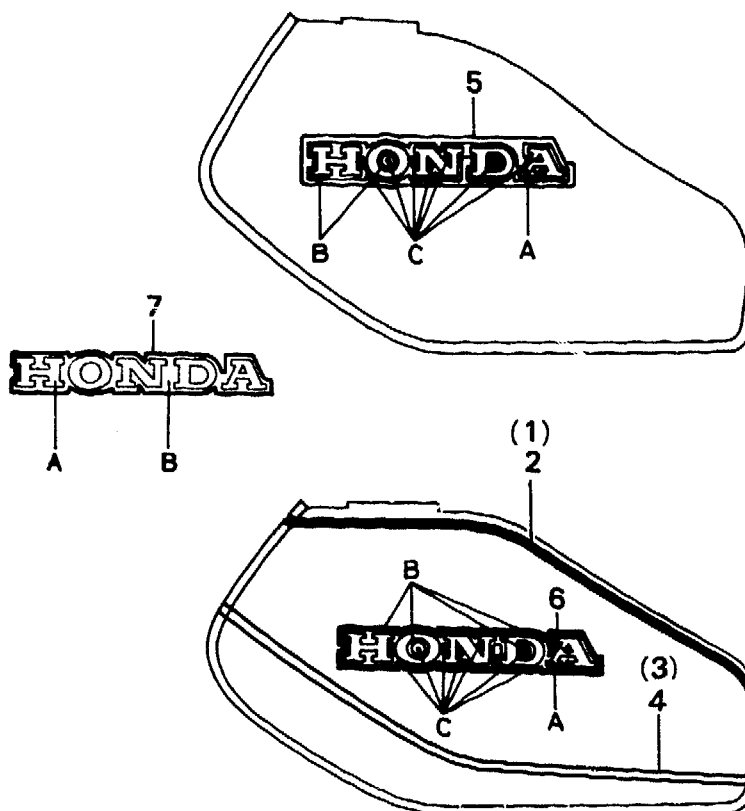
**Rayure-Embleme
(XL500S_B)**

**Streifen-Emblem
(XL500S_B)**

**Franja-Emblema
(XL500S_B)**



Not for commercial use



B435-70

Service item	F.R.T.	Ref. No.	Part No.	Description	Reqd. No.				Serial No.	Area code
					Sz	SA	S _B	Rc		
		1	17506-435-730	STRIPE, R. UPPER FUEL TANK (A.M.)			1		CM	
		2	17507-435-730	STRIPE, L. UPPER FUEL TANK (A.M.)			1		CM	
		3	17508-435-730	STRIPE, R. LOWER FUEL TANK (A.M.)			1		CM	
		4	17509-435-730	STRIPE, L. LOWER FUEL TANK (A.M.)			1		CM	
		5	87123-435-760ZA	EMBLEM, FUEL TANK (A.M.) *TYPE 1*			2		B,DK,DM,E,ED,F,SA,SD,U 1G,2G	
			87123-435-760ZB	EMBLEM, FUEL TANK (A.M.) *TYPE 2*			2		B,DK,DM,E,ED,F,SA,SD,U 1G,2G	
		6	87123-459-770ZA	EMBLEM, MAIN PIPE COVER (A.M.) *TYPE 1*			2		CM	
		7	87124-435-760ZA	EMBLEM, FUEL TANK *TYPE-4*			2		B,DK,DM,E,ED,F,SA,SD,U 1G,2G	
		8	87127-435-760ZA	EMBLEM R. SIDE COVER (A.M.) *TYPE 1*			1		B,DK,DM,E,ED,F,SA,SD,U 1G,2G	
			87127-435-760ZB	EMBLEM R. SIDE COVER (A.M.) *TYPE 2*			1		B,DK,DM,E,ED,F,SA,SD,U 1G,2G	

Color chart for fuel tank emblem

Type de emblem	Fuel tank main color	Position		
		A	B	C
TYPE 1	Monza red	Black	White	Monza red
TYPE 2	Magnum silver metallic-U	Black	White	Magnum silver metallic-U

1981.12.20

E

2-G13



Not for commercial use

2-G14

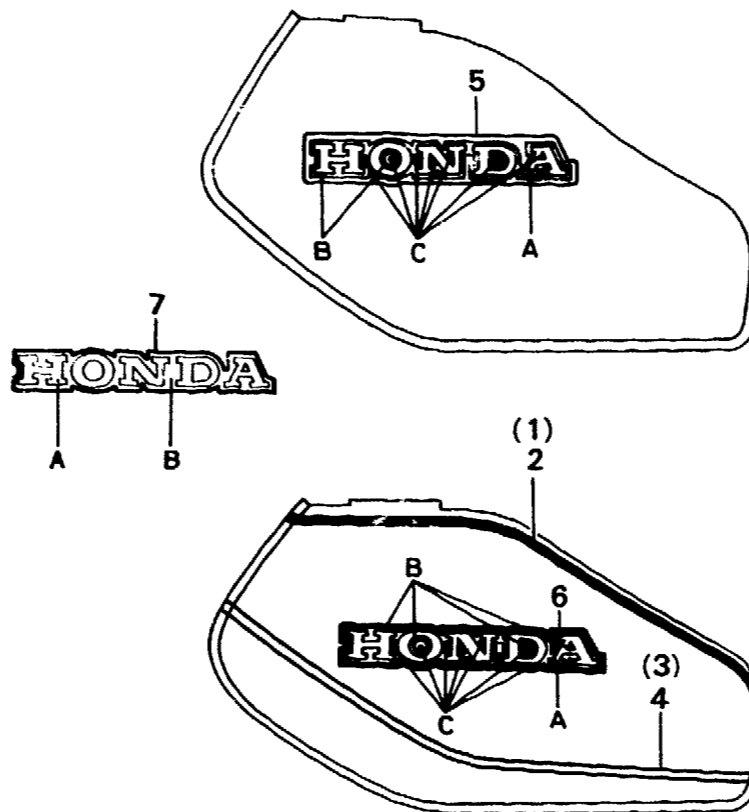
F-28-1

**Stripe-Emblem
(XL500S_B)**

**Rayure-Embleme
(XL500S_B)**

**Streifen-Emblem
(XL500S_B)**

**Franja-Emblema
(XL500S_B)**



B435-70

Service item	F.R.T.	Ref. No.	Part No.	Description	Reqd. No.				Serial No.	Area code
					Sz	SA	S _B	Rc		
		9	87128-435-730	EMBLEM, R. SIDE COVER (A.M.)			1		CM	
		10	87128-435-760ZA	EMBLEM L. SIDE COVER (A.M.) *TYPE 1*			1		B,DK,DM,E,ED,F,SA,SD,U 1G,2G	
			87128-435-760ZB	EMBLEM L. SIDE COVER (A.M.) *TYPE 2*			1		B,DK,DM,E,ED,F,SA,SD,U 1G,2G	
		11	87129-435-730	EMBLEM, L. SIDE COVER (A.M.)			1		CM	

Color chart for side cover emblem

Type de emblem	Fuel tank main color	Position		
		A	B	C
TYPE 1	Monza red	Mat black	Red	—
TYPE 2	Magnum silver metallic-U	Mat black	Red	Red

1981.12.20

E

2-G14

2-G15



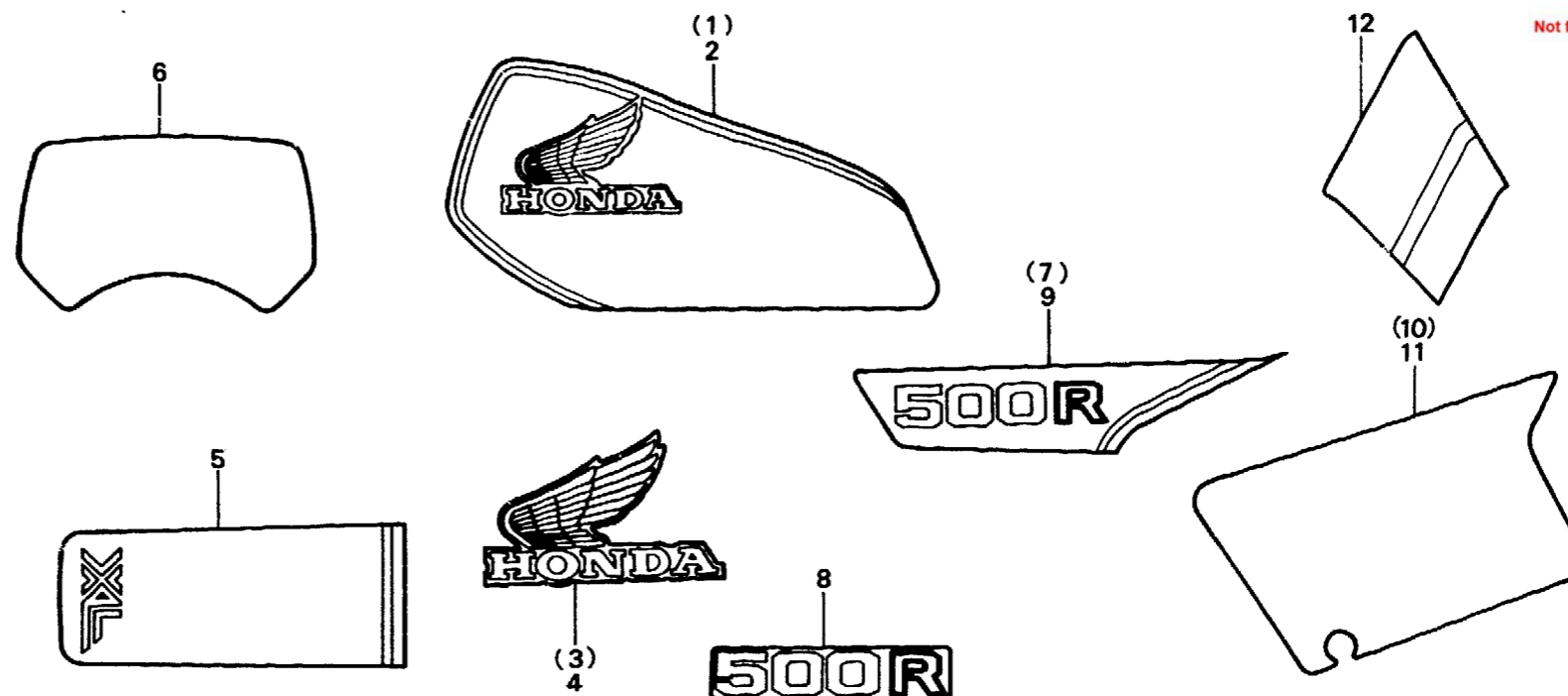
F-28-2

**Stripe-Emblem
(XL500Rc)**

**Rayure-Embleme
(XL500Rc)**

**Streifen-Emblem
(XL500Rc)**

**Franja-Emblema
(XL500Rc)**



BMC4-31

Service item	F.R.T.	Ref. No.	Part No.	Description	Reqd. No.				Serial No.	Area code
					Sz	SA	Se	Rc		
		1	17506-KB7-300	STRIPE, R. FUEL TANK (A.M.)				1		B,DK,DM,E,ED,F,IT,SA SD,U,1G,2G
			17508-KB7-300	STRIPE, R. FUEL TANK (A.M.)				i		B,DK,DM,E,ED,F,IT,SA SD,U,1G,2G
		2	17507-KB7-300	STRIPE, L. FUEL TANK (A.M.)				1		B,DK,DM,E,ED,F,IT,SA SD,U,1G,2G
			17509-KB7-300	STRIPE, L. FUEL TANK (A.M.)				1		B,DK,DM,E,ED,F,IT,SA SD,U,1G,2G
		3	87122-KB7-670	MARK, R. FUEL TANK (A.M.)				1		
		4	87123-KB7-670	MARK, L. FUEL TANK (A.M.)				1		
		5	87124-KB7-600ZA	EMBLEM, FR. FENDER (A.M.)				1		B,DK,DM,E,F,IT,SA,U 1G,2G
			87124-KB7-600ZB	EMBLEM, FR. FENDER (A.M.)				1		B,DK,DM,E,F,IT,SA,U 1G,2G
			87124-KB7-610	EMBLEM, FR. FENDER (A.M.)				i		B,DK,DM,E,F,IT,SA,U 1G,2G
		6	87125-KB7-300	SHEET, FR. VISOR (A.M.)				1		B,DK,DM,E,ED,F,IT,SA SD,U,1G,2G

Combination table for front fender main color and front fender emblem

Main color	Ceramic white	Pleiades silver metallic-U	Monza red
87124-KB7-600ZA	●		
87124-KB7-600ZB		●	
87124-KB7-610			●

2-G16

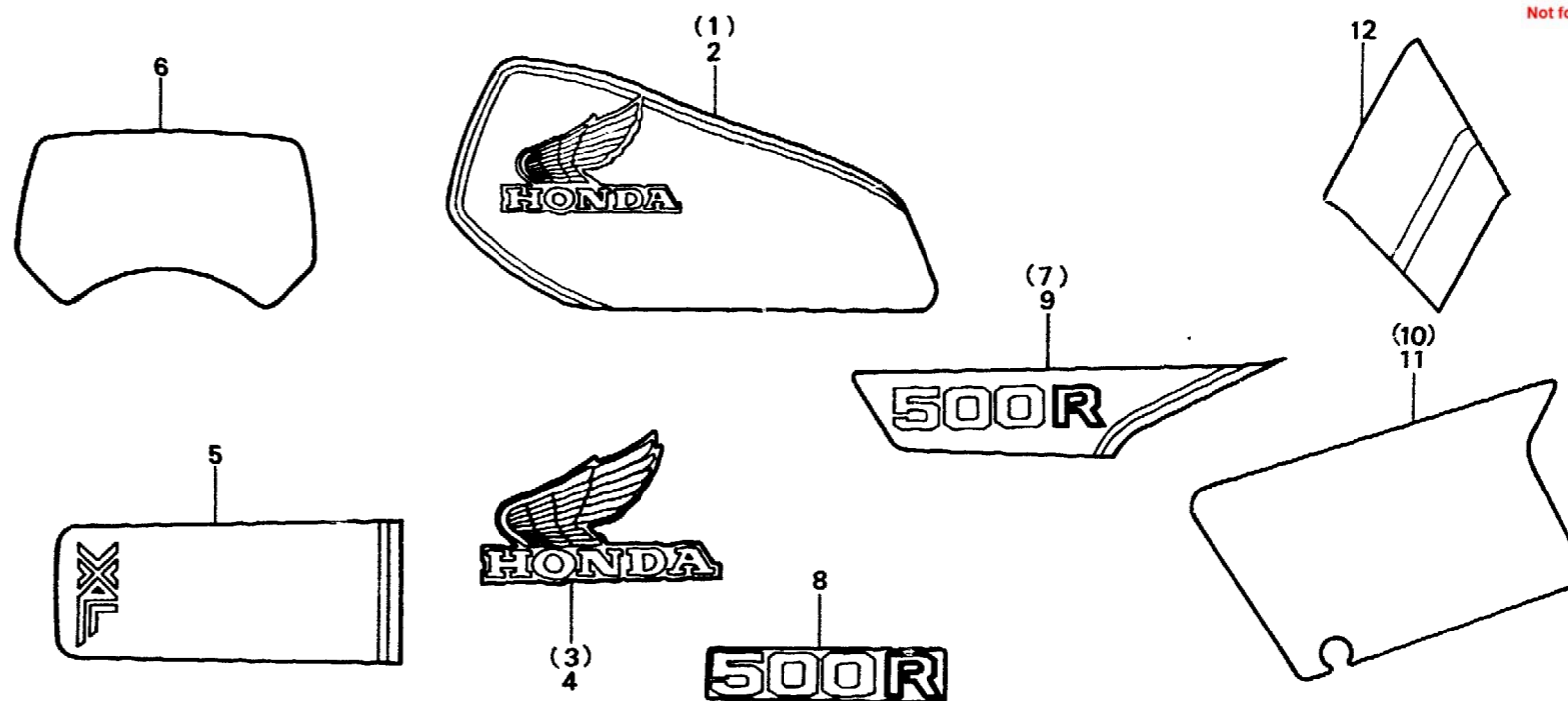
F-28-2

**Stripe-Emblem
(XL500Rc)**

**Rayure-Embleme
(XL500Rc)**

**Streifen-Emblem
(XL500Rc)**

**Franja-Emblema
(XL500Rc)**



BMC4-31

Service-onderdeel	F.R.T.	Ref. no:	Onderdeel no:	Beschrijving	Reqd. No.				Serial No.	Area code
					Sz	SA	Ss	Rc		
			87125-KB7-680	SHEET, FR. VISOR (A.M.)					(1)	DK,DM,SA,U
		7	87126-MC4-600	EMBLEM, R. SIDE COVER (A.M.)					1	B,DK,DM,E,ED,F,IT,SA SD,U,1G,2G
		8	87126-MC4-670	EMBLEM, SIDE COVER (A.M.)					2	
		9	87127-MC4-600	EMBLEM, L. SIDE COVER (A.M.)					1	B,DK,DM,E,ED,F,IT,SA SD,U,1G,2G
		10	87128-MC4-300	EMBLEM B, R. SIDE COVER (A.M.)					1	
		11	87129-MC4-300	EMBLEM B, L. SIDE COVER (A.M.)					1	B,DK,DM,E,ED,F,IT,SA SD,U,1G,2G
		12	87130-KB7-600	STRIPE, RR. FENDER (A.M.)					1	