

L 14



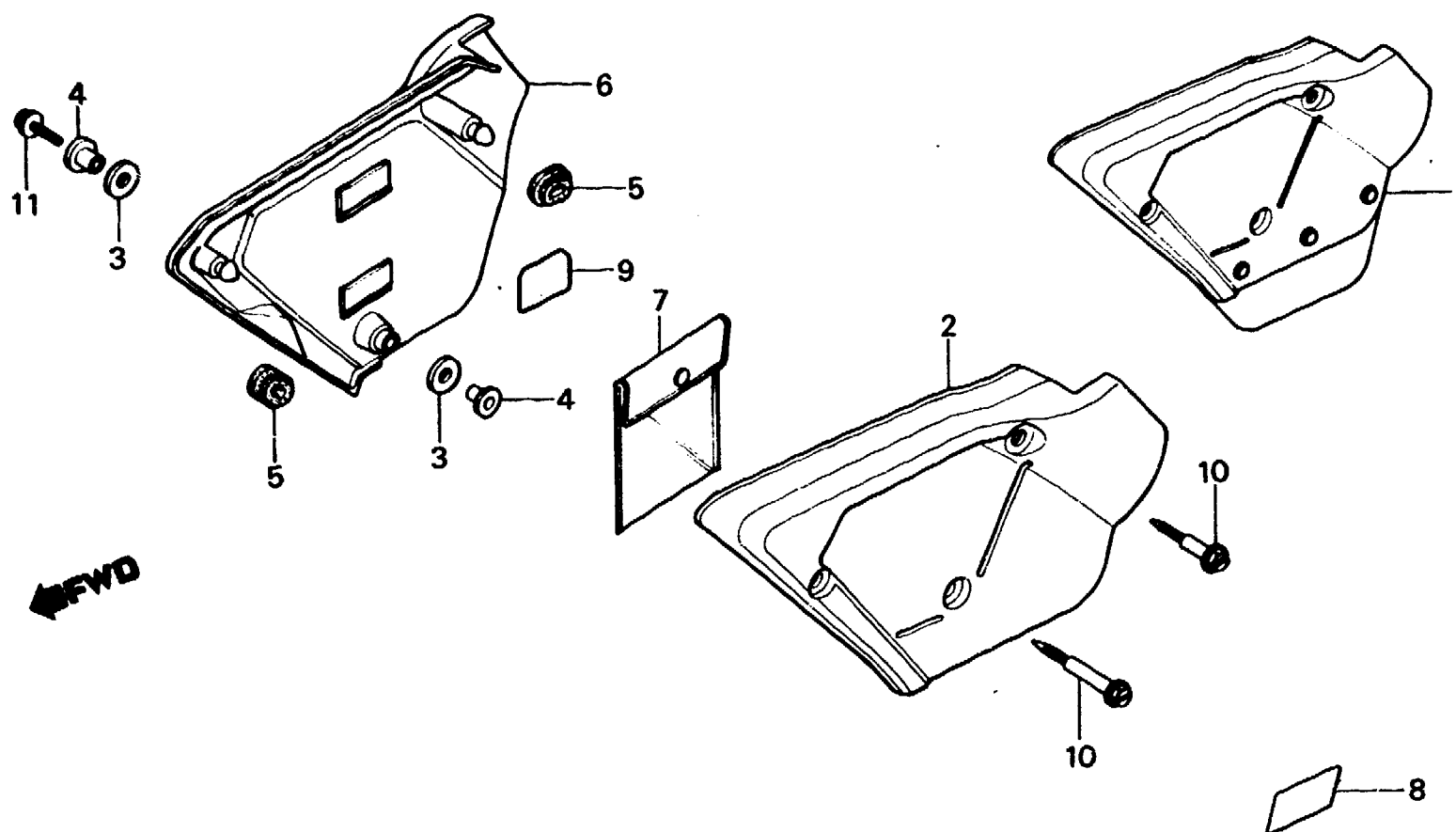
F-14

**Side cover
(XL500Sz·SA·SB)**

**Couvercle latéral
(XL500Sz·SA·SB)**

**Seitendeckel
(XL500Sz·SA·SB)**

**Cubierta lateral
(XL500Sz·SA·SB)**



B435-16C

Service item	F.R.T.	Ref. No.	Part No.	Description	Reqd. No.				Serial No.	Area code
					Sz	SA	Se	Rc		
COVER ASSY., AIR CLEANER CASE INC. RELATIVE PART COVER, R. SIDE INC. RELATIVE PART	0.1	1	17210-435-610ZA	COVER ASSY., AIR CLEANER CASE *R-23*	1	1			1G,2G	
			17210-435-610ZB	COVER ASSY., AIR CLEANER CASE *NH-24*	1	1			1G,2G	
			17210-435-610ZC	COVER ASSY., AIR CLEANER CASE *NH-111*			1		1G,2G	
			17210-435-610ZD	COVER ASSY., AIR CLEANER CASE *R-110*			1		1G,2G	
			17210-435-610ZF	COVER ASSY., AIR CLEANER CASE *NH-110M-U*			1		1G,2G	
		2	17220-435-000ZA	COVER, AIR CLEANER CASE *R-23*	1				CM	
			17220-435-000ZB	COVER, AIR CLEANER CASE *NH-24*	1	1			B,DK,DM,E,ED,F,SA,SD,U	
			17220-435-000ZC	COVER, AIR CLEANER CASE *R-33*	1	1			B,E,ED,F,SD	
			17220-435-000ZD	COVER, AIR CLEANER CASE *R-110*			1		DK,DM,SA,U	
			17220-435-000ZE	COVER, AIR CLEANER CASE *NH-110M-U*			1		CM	
								1		B,DK,DM,E,ED,F,SA,SD,U
								1		B,DK,DM,E,ED,F,SA,SD,U

1981.12.20

E

L14

L 15

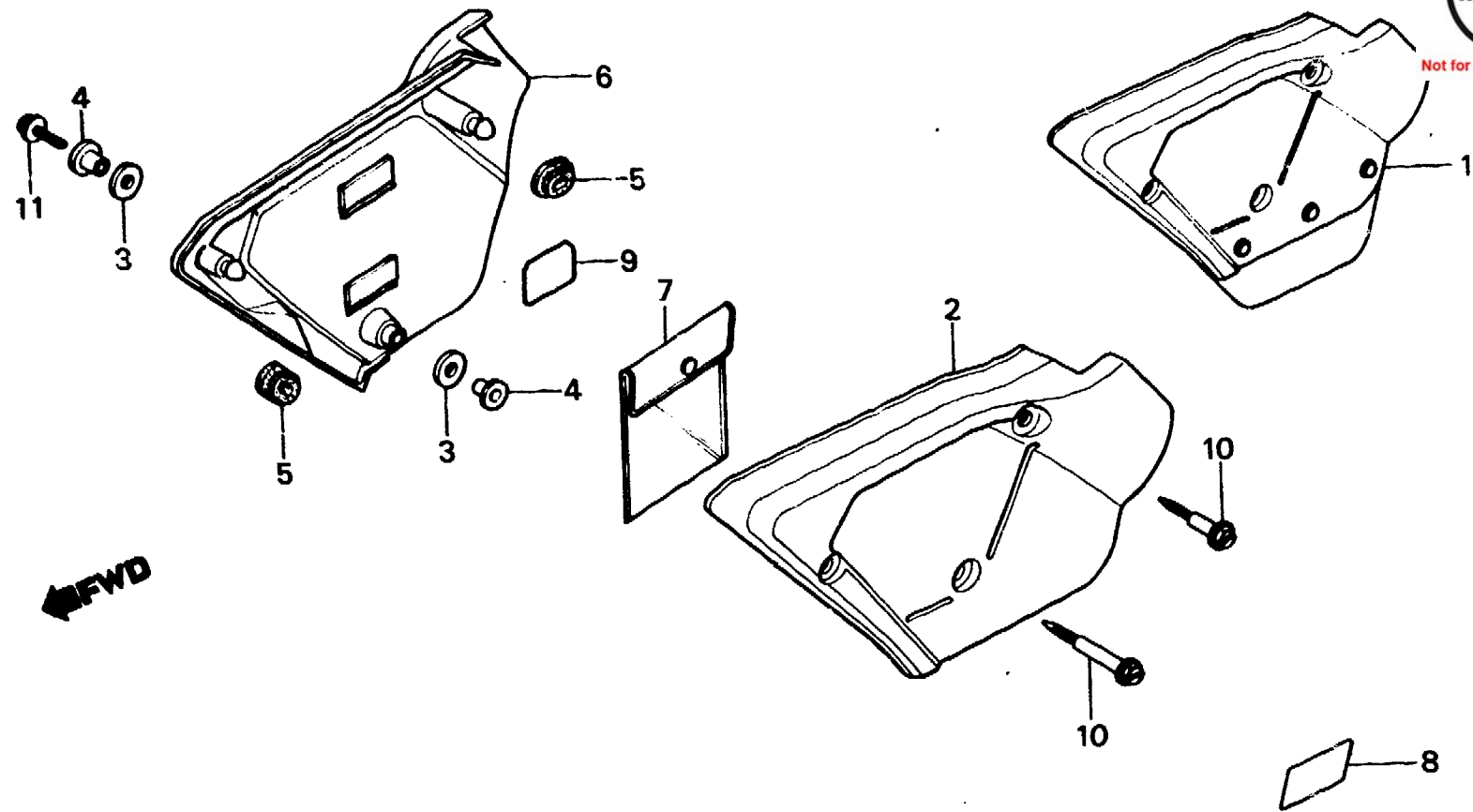
F-14

**Side cover
(XL500Sz·SA·SB)**

**Couvercle latéral
(XL500Sz·SA·SB)**

**Seitendeckel
(XL500Sz·SA·SB)**

**Cubierta lateral
(XL500Sz·SA·SB)**



B435-16C

Service item	F.R.T.	Ref. No.	Part No.	Description	Reqd. No.				Serial No.	Area code
					Sz	XL500 SA	SB	Rc		
			17220-435-000ZF	COVER, AIR CLEANER CASE *NH-111*				1		B,DK,DM,E,ED,F,SA,SD,U
			17220-435-730ZA	COVER, AIR CLEANER CASE *R-110*				1		CM
		3	18292-429-000	PACKING A, MUFFLER	2	2	2			
		4	61104-435-000	COLLAR, SIDE COVER	2	2	2			
		5	83551-300-000	GROMMET, AIR CLEANER CASE	2	2	2			
		6	83600-435-000ZA	COVER, R. SIDE *R-23*	1	1				B,DK,DM,E,ED,F,SA,SD,U 1G,2G CM
			83600-435-000ZB	COVER, R. SIDE *NH-24*	1	1				B,E,ED,F,SD,1G,2G DK,DM,SA,U CM
			83600-435-000ZC	COVER, R. SIDE *R-33*		1				
			83600-435-000ZD	COVER, R. SIDE *R-110*				1		B,DK,DM,E,ED,F,SA,SD,U 1G,2G
			83600-435-000ZE	COVER, R. SIDE *NH-110M-U*				1		B,DK,DM,E,ED,F,SA,SD,U 1G,2G
			83600-435-000ZF	COVER, R. SIDE *NH-111*				1		B,DK,DM,E,ED,F,SA,SD,U 1G,2G

L 16

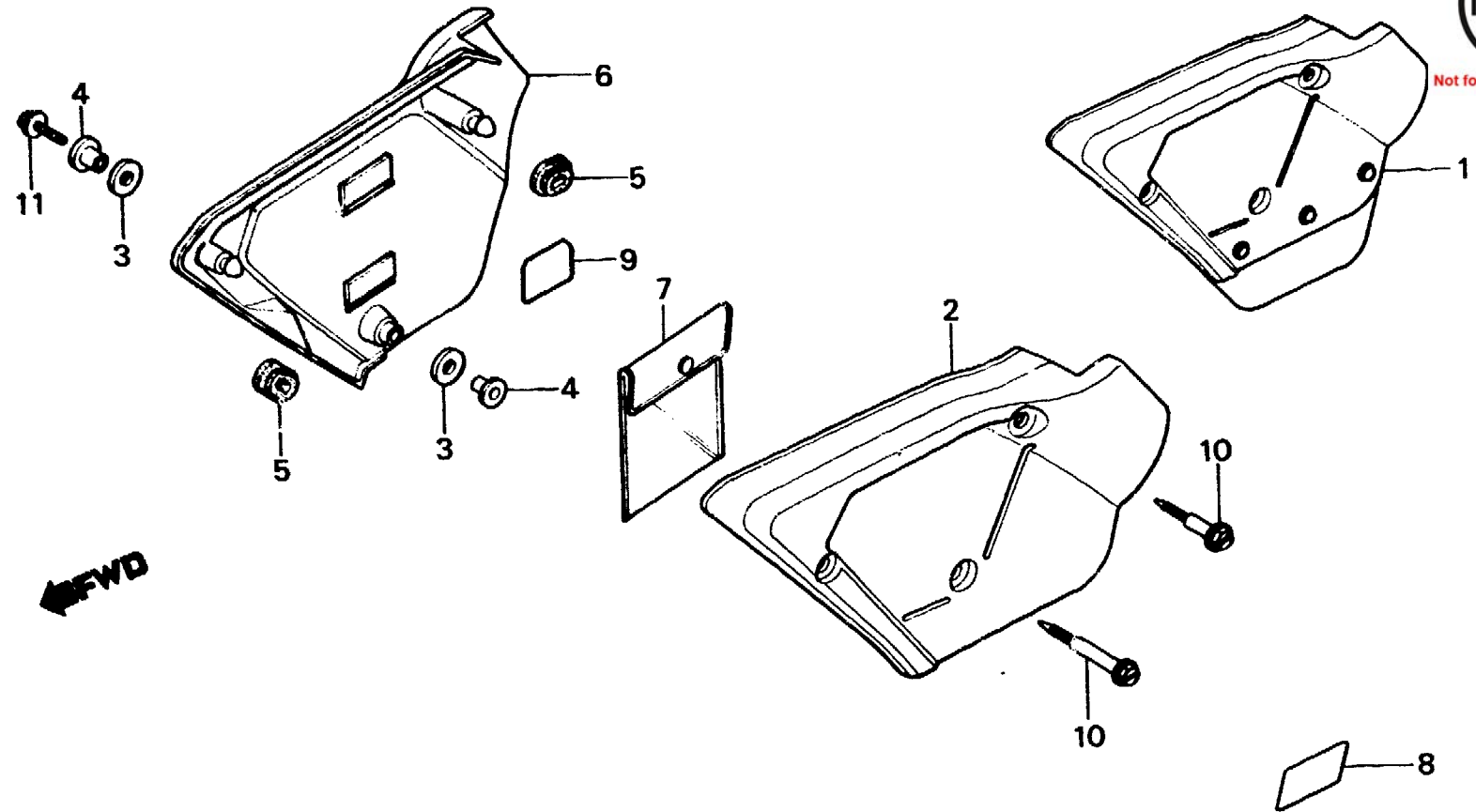
F-14

**Side cover
(XL500Sz·SA·SB)**

**Couvercle latéral
(XL500Sz·SA·SB)**

**Seitendeckel
(XL500Sz·SA·SB)**

**Cubierta lateral
(XL500Sz·SA·SB)**



B435-16C

Service item	F.R.T.	Ref. No.	Part No.	Description	Reqd. No.				Serial No.	Area code
					Sz	XL500 Sa	Sa	Rc		
			83610-435-730ZA	COVER, R. SIDE *R-110*			1			CM
		7	83642-355-000	BAG, OWNERS MANUAL	1	1	1			
		8	87507-435-620	MARK, AIR CLEANER CAUTION	1				5001873	CM,F
			87507-435-670	MARK, AIR CLEANER CAUTION	1	1				B,CM,DK,DM,E,ED,SA,SD,U
			87507-429-620	MARK, AIR CLEANER CAUTION (FRENCH)	1				5001874	1G,2G
		9	87508-120-000	LABEL, AIR CLEANER CAUTION		1	1			CM,F
										B,DK,DM,E,ED,SA,SD,U,1G
		10	9G112-434-000	BOLT A, AIR CLEANER CASE SETTING	3	3	3			2G
		11	90114-429-000	BOLT B, AIR CLEANER CASE	1	1	1			

1981.12.20

E

L16



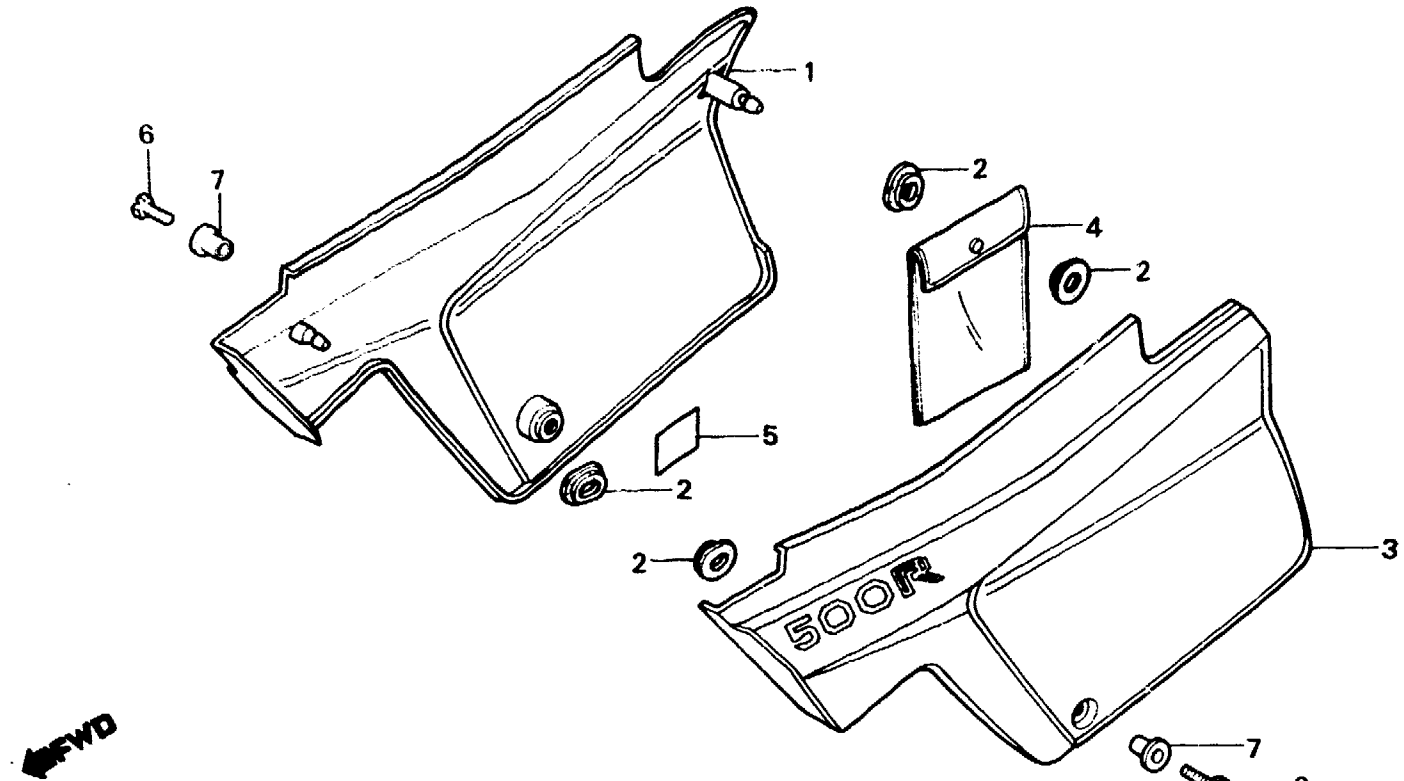
F-14-1

**Side cover
(XL500Rc)**

**Couvercle latéral
(XL500Rc)**

**Seitendeckel
(XL500Rc)**

**Cubierta lateral
(XL500Rc)**



BMC4-11

Service item	F.R.T.	Ref. No.	Part No.	Description	Reqd. No.				Serial No.	Area code	
					Sz	SA	Ss	Rc			
COVER COMP., SIDE (ONE OR ALL)	0.1	1	835A0-MC4-000ZA	COVER COMP., R. SIDE *R-110*				1		CM	
			835A0-MC4-600ZA	COVER COMP., R. SIDE *R-110*				1		B,DK,DM,E,ED,F,IT,SA,SD U,1G,2G	
			835B0-MC4-600ZA	COVER COMP., R. SIDE *NH-24*				1		B,DK,DM,E,ED,F,IT,SA,SD U,1G,2G	
			835B0-MC4-600ZB	COVER COMP., R. SIDE *NH-104M-U*				1		B,DK,DM,E,ED,F,IT,SA,SD U,1G,2G	
			2	83551-300-000	GROMMET, AIR CLEANER CASE				4		
			3	836A0-MC4-000ZA	COVER COMP., L. SIDE *R-110*				1		CM
				836A0-MC4-600ZA	COVER COMP., L. SIDE *R-110*				1		B,DK,DM,E,ED,F,IT,SA,SD U,1G,2G
			836B0-MC4-600ZA	COVER COMP., L. SIDE *NH-24*				1		B,DK,DM,E,ED,F,IT,SA,SD U,1G,2G	
			836B0-MC4-600ZB	COVER COMP., L. SIDE *NH-104M-U*				1		B,DK,DM,E,ED,F,IT,SA,SD U,1G,2G	
			4	83642-355-000	BAG, OWNERS MANUAL				1		
			5	87506-KB7-620	MARK, BATTERY CAUTION (FRENCH)				1		F

1981.12.20

E

M1

M 2

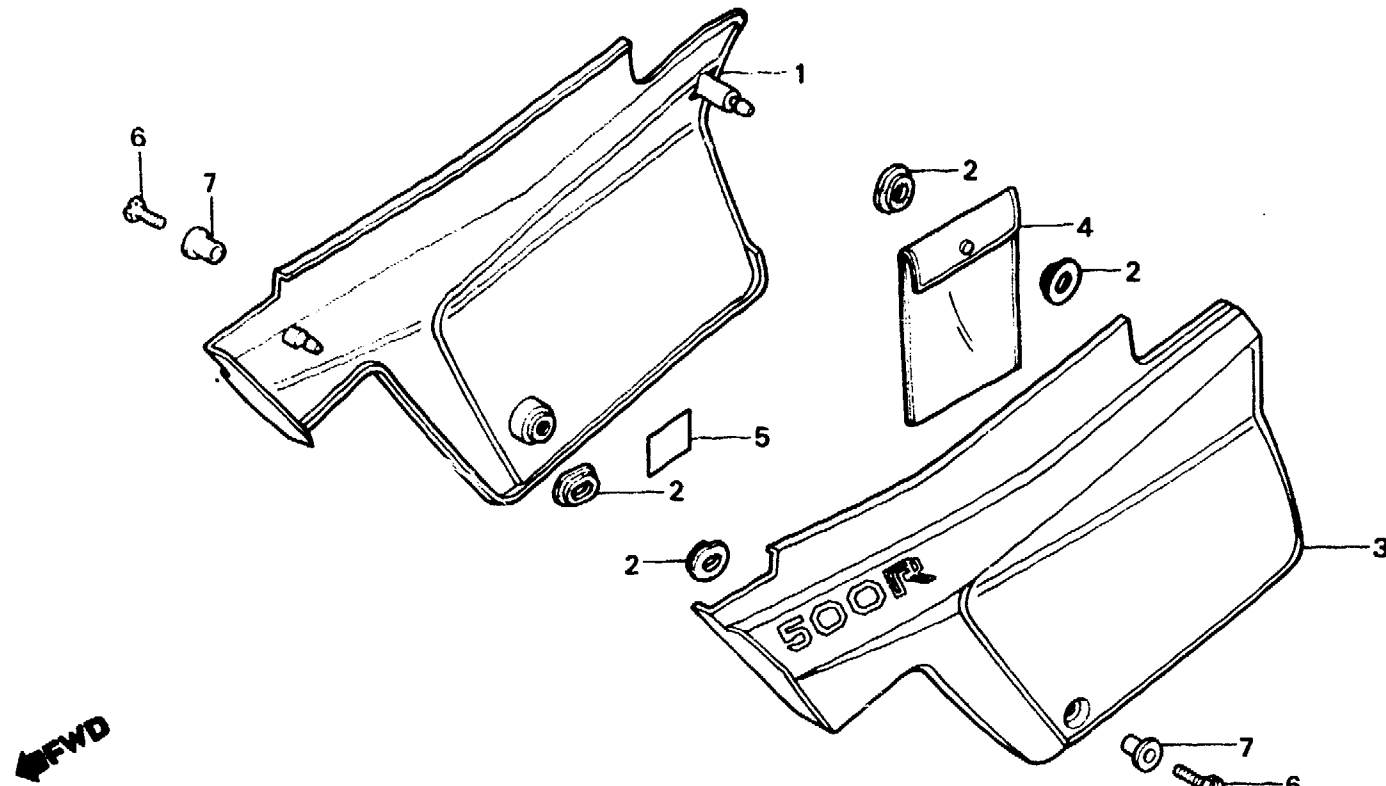
F-14-1

**Side cover
(XL500Rc)**

**Couvercle latéral
(XL500Rc)**

**Seitendeckel
(XL500Rc)**

**Cubierta lateral
(XL500Rc)**



BMC4-11

Service item	F.R.T.	Ref. No.	Part No.	Description	Reqd. No.				Serial No.	Area code
					Sz	XL500 SA	Ss	Rc		
			87506-KB7-670	MARK, BATTERY CAUTION				1		B,CM,DK,DM,E,ED,IT,SA,SD U,1G,2G
		6	90011-729-000	BOLT, SPECIAL, 6X14				2		
		7	90522-028-000	WASHER, CHAIN CASE SETTING				2		



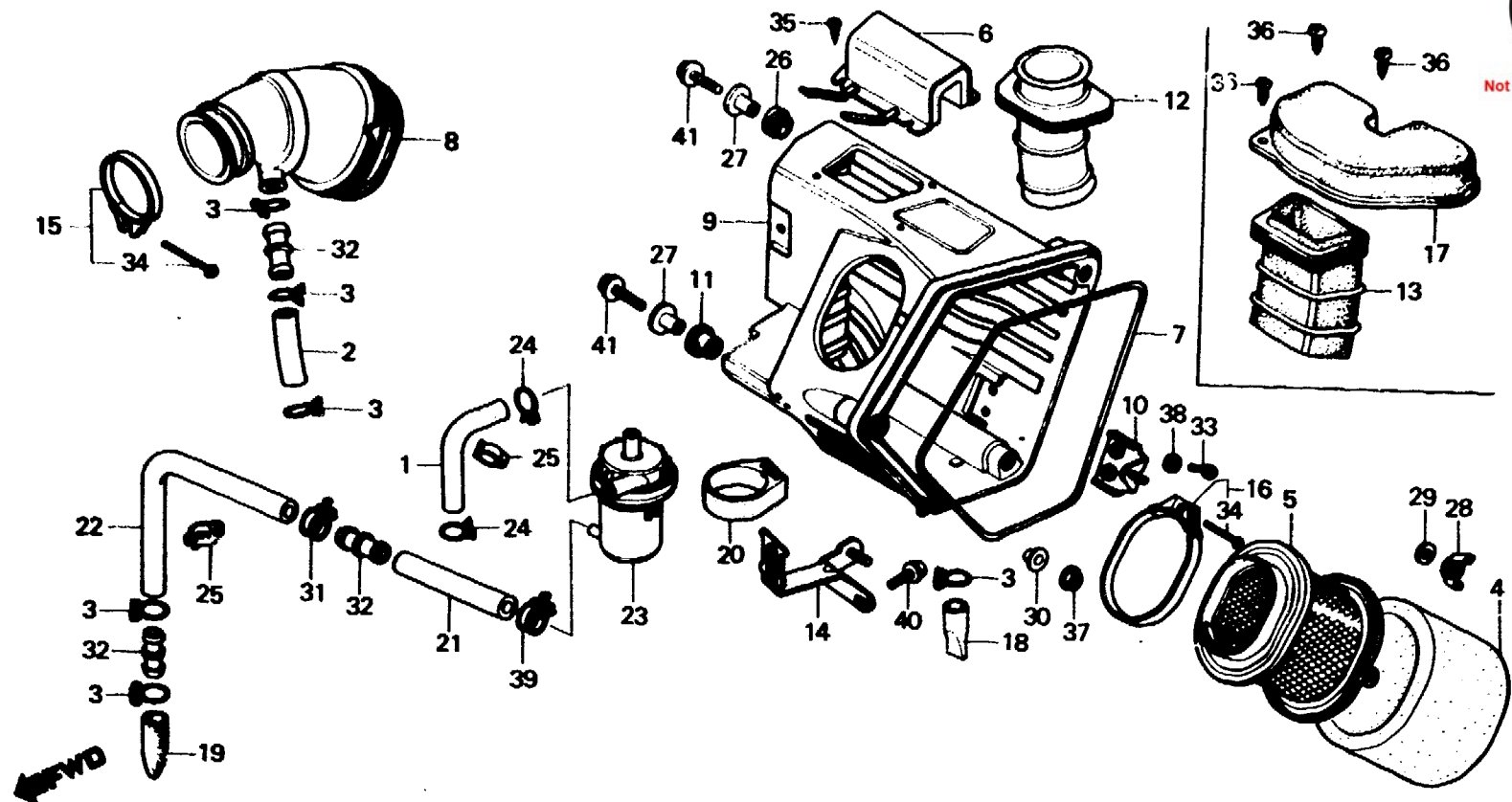
F-15

Air cleaner
(XL500Sz·SA·SB)

Filtre à air
(XL500Sz·SA·SB)

Luftfilter
(XL500Sz·SA·SB)

Limpiador de aire
(XL500Sz·SA·SB)



B435-36

Service item	F.R.T.	Ref. No.	Part No.	Description	Reqd. No.				Serial No.	Area code
					Sz	XL500 SA	SA	Rc		
TUBE BREATHER	0.1	1	15761-435-000	TUBE A, BREATHER	1	1	1			
SEPARATOR COMP., BREATHER		2	15762-435-000	TUBE B, BREATHER	1	1	1			
ELEMENT A, AIR CLEANER	0.2	3	15772-292-010	CLIP, BREATHER TUBE	6	6	6			
INC. RELATIVE PART		4	17213-402-000	ELEMENT A, AIR CLEANER	1	1	1			
TUBE, AIR CLEANER CONNECTING	0.3	5	17214-429-000	HOLDER, ELEMENT	1	1	1			
DUCT, AIR CLEANER IN.		6	17216-435-760	COVER, IN. TUBE			1		B, E, ED, F, SD, 1G, 2G	
CASE COMP., AIR CLEANER	0.5	7	17219-413-000	SEAL, AIR CLEANER COVER	1	1	1			
		8	17222-429-000	TUBE, AIR CLEANER CONNECTING	1	1	1			
		9	17230-429-000	CASE COMP., AIR CLEANER	1	1	1		E, ED, F, SD, 1G, 2G CM, DK, DM, SA, U	
			17230-435-000	CASE COMP., AIR CLEANER	1	1			B	
			17230-435-760	CASE COMP., AIR CLEANER			1		B, E, ED, F, SD, 1G, 2G	
		10	17231-429-000	STAY, ELEMENT HOLDER SETTING	1	1	1			

M 4

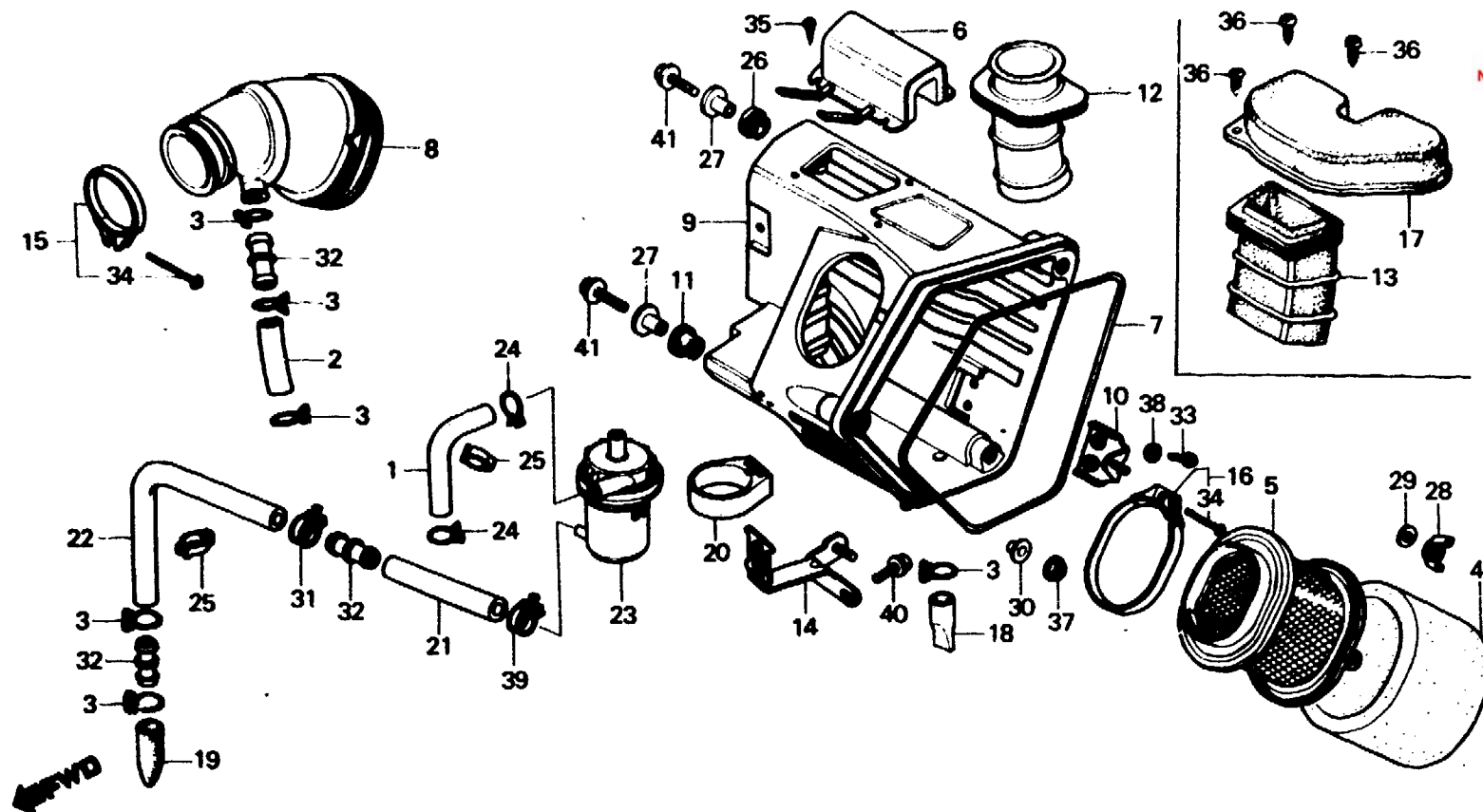
F-15

**Air cleaner
(XL500Sz·SA·Sb)**

**Filtre à air
(XL500Sz·SA·Sb)**

**Luftfilter
(XL500Sz·SA·Sb)**

**Limpiador de aire
(XL500Sz·SA·Sb)**



B435-36

Service item	F.R.T.	Ref. No.	Part No.	Description	Reqd. No.				Serial No.	Area code
					Sz	XL500 SA	Sb	Rc		
		11	17237-435-000	RUBBER, AIR CLEANER MOUNTING	1	1	1		DK,DM,SA	
		12	17240-435-000	DUCT, AIR CLEANER IN.	1	1			CM,DK,DM,E,ED,F,SA,SD,U	
		13	17250-435-000	DUCT A, AIR CLEANER IN.	1	1	1		1G,2G	
									B	
		14	17252-435-670	STAY, AIR CLEANER CASE	1	1	1		DK,DM,E,ED,F,SA,SD,U,1G	
		15	17256-429-000	BAND ASSY., CONNECTING TUBE	1	1	1		2G	
		16	17257-429-000	BAND ASSY., ELEMENT SETTING	1	1	1			
		17	17260-435-000	DUCT B, AIR CLEANER IN.	1	1	1		B	
		18	17358-170-000	TUBE, DRAIN	1	1	1			
		19	17358-381-000	TUBE, DRAIN	1	1	1			
		20	17366-435-000	BAND, BREATHER SEPARATOR	1	1	1			

1981.12.20

E

M4



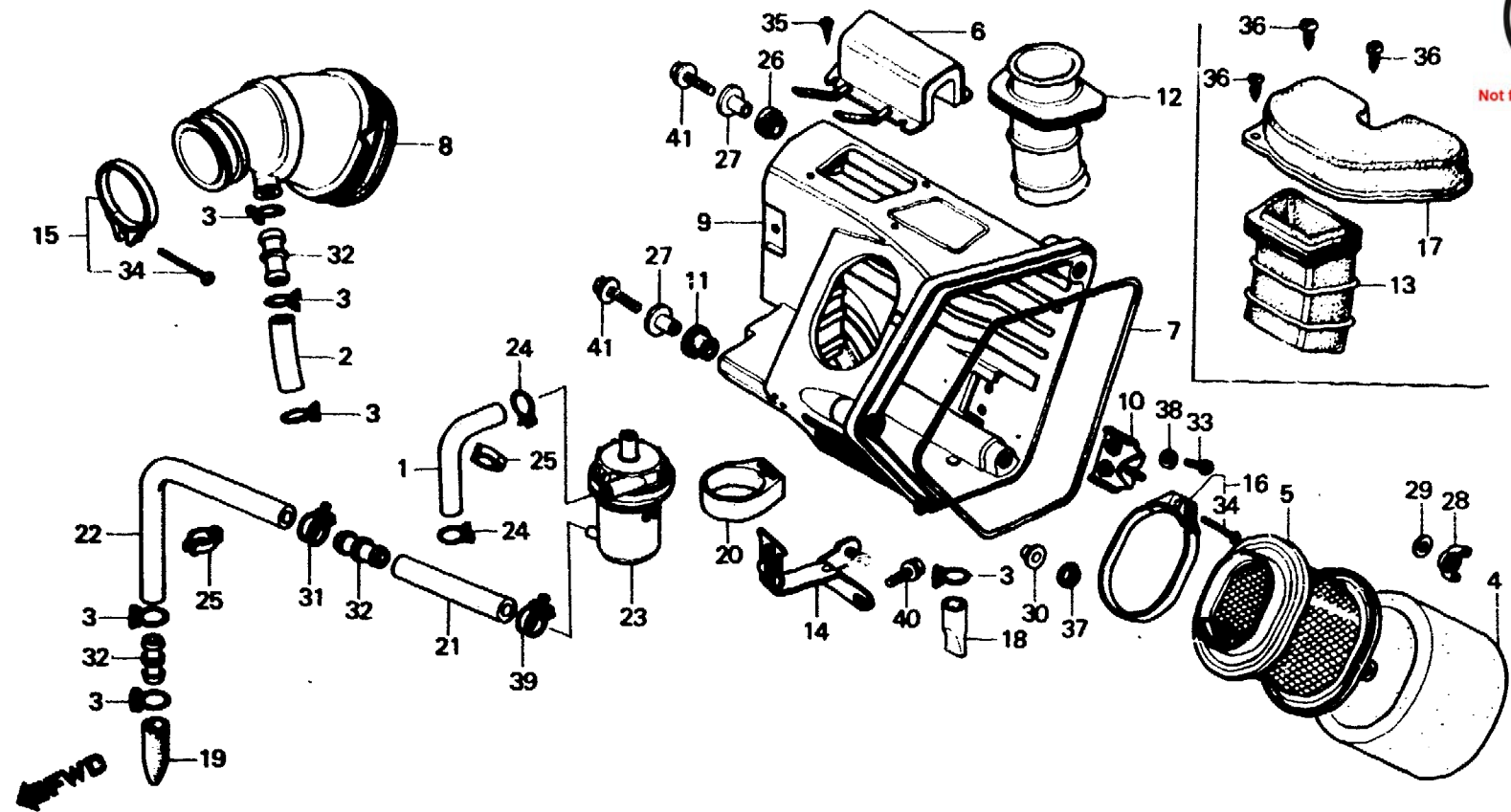
F-15

**Air cleaner
(XL500Sz·SA·SB)**

**Filtre à air
(XL500Sz·SA·SB)**

**Luftfilter
(XL500Sz·SA·SB)**

**Limpiador de aire
(XL500Sz·SA·SB)**



B435-36

Service item	F.R.T.	Ref. No.	Part No.	Description	Reqd. No.				Serial No.	Area code
					Sz	XL500	SA	SB		
		21	17367-435-000	TUBE C, DRAIN	1	1	1			
		22	17369-428-670	TUBE B, DRAIN	1	1	1			
		23	17370-435-305	SEPARATOR COMP., BREATHER	1				5010907 B,DK,DM,E,ED,F,SA,U,1G	
					1				CM	
			17370-435-315	SEPARATOR COMP., BREATHER	1			5010908	3003888 2G	
					1			3003889	B,DK,DM,E,ED,F,SA,U,1G	
					1				2G	
		24	17724-102-700	CLIP, SUB TANK HOSE	2	2	2			
		25	32975-428-000	CLIP, PULSER CORD	2	2	2		B,DK,DM,E,ED,F,SA,SD,U	
					2	2	1		1G,2G	
			32975-435-730	CLIP, PULSER CORD			1		CM	
									CM	
		26	80105-061-000	CUSHION A, RR, FENDER	1	1	1		DK,DM,SA	
		27	83601-357-000	COLLAR, COVER SETTING	2	2	2		DK,DM,SA	
		28	90325-044-000	NUT, TOOL BOX SETTING	1	1	1			



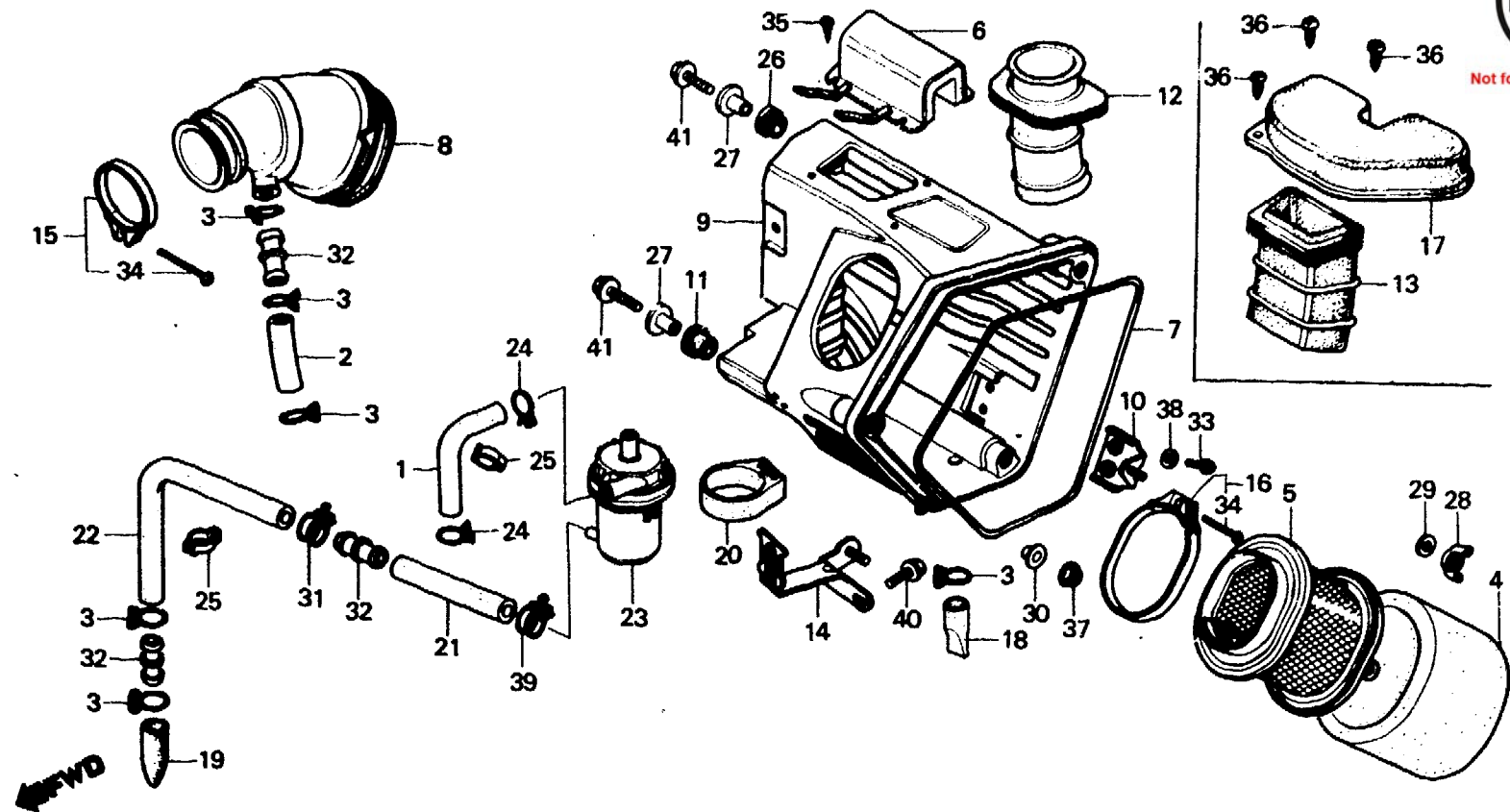
F-15

**Air cleaner
(XL500Sz·SA·SB)**

**Filtre à air
(XL500Sz·SA·SB)**

**Luftfilter
(XL500Sz·SA·SB)**

**Limpiador de aire
(XL500Sz·SA·SB)**



B435-36

Service item	F.R.T.	Ref. No.	Part No.	Description	Reqd. No.				Serial No.	Area code
					Sz	SA	SA	Rc		
		29	90485-286-000	WASHER, 6MM	1	1	1			
		30	90522-028-000	WASHER, CHAIN CASE SETTING	1	1	1			
		31	91462-393-780	CLIP, TUBE	1	1	1			
		32	91463-393-780	JOINT, TUBE	3	3	3			
		33	93500-04012-0H	SCREW, PAN, 4X12	2	2	2			
		34	93500-04025-0A	SCREW, PAN, 4X25	2	2	2			
		35	93901-34120	SCREW, TAPPING, 4X8			3		B, E, ED, F, SD, 1G, 2G	
		36	93901-34420	SCREW, TAPPING, 4X16	3	3			B	
		37	94050-06000	NUT, FLANGE, 6MM	1	1	1			
		38	94101-04800	WASHER, PLAIN, 4MM	2	2	2			
		39	95002-01160	CLIP A16, TUBE	1	1	1			
		40	95700-06012-00	BOLT, FLANGE, 6X12	1	1	1			
		41	95700-06016-00	BOLT, FLANGE, 6X16	2	2	2		B, CM, E, ED, F, SD, U, 1G, 2G	
			95700-06025-00	BOLT, FLANGE, 6X25	2	2	2		DK, DM, SA	



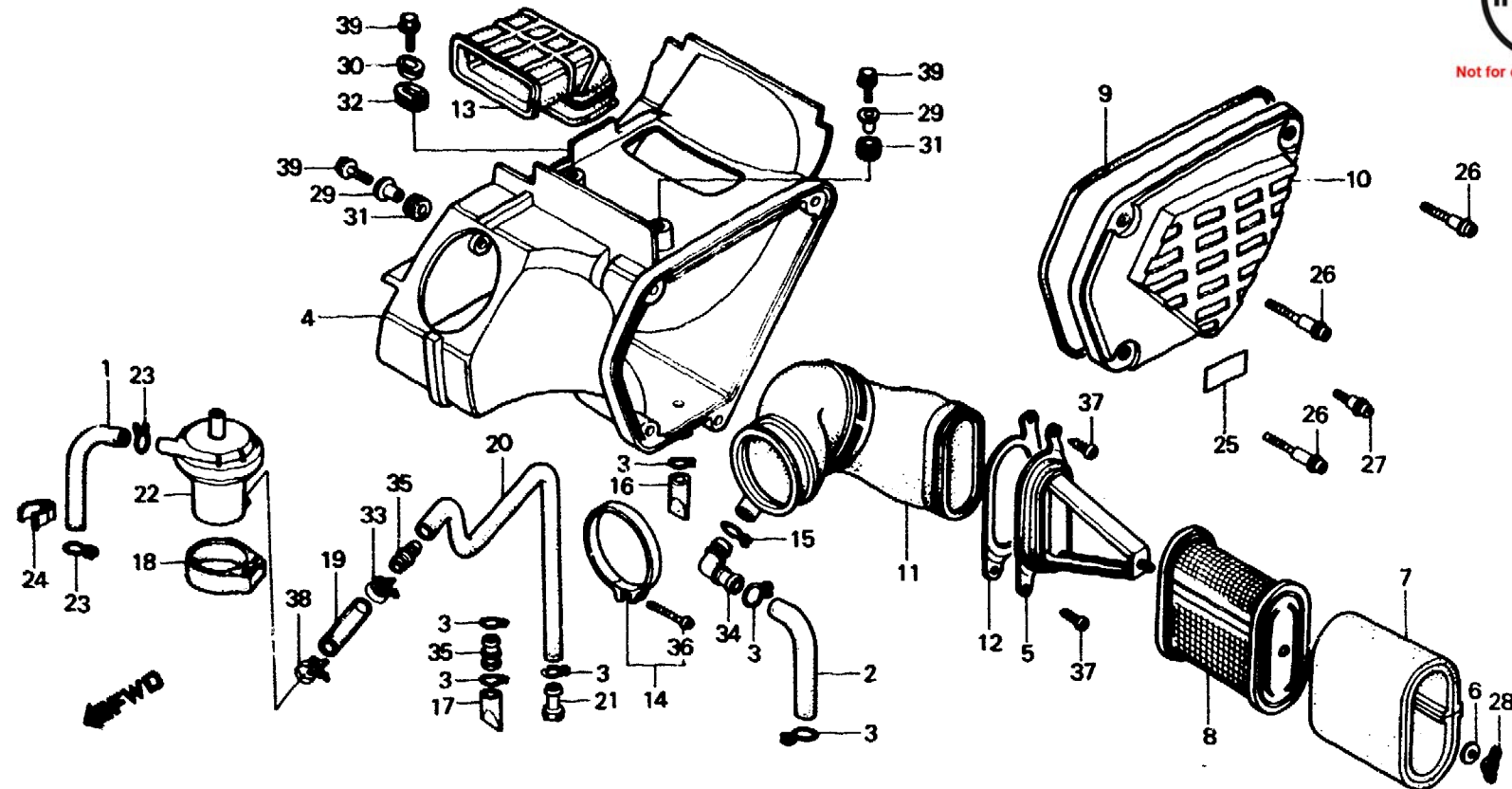
F-15-1

**Air cleaner
(XL500Rc)**

**Filtre à air
(XL500Rc)**

**Luftfilter
(XL500Rc)**

**Limpiador de aire
(XL500Rc)**



BMC4-12

Service item	F.R.T.	Ref. No.	Part No.	Description	Reqd. No.				Serial No.	Area code
					Sz	SA	Se	Rc		
CASE COMP., AIR CLEANER	0.7	1	15761-435-000	TUBE A, BREATHER					1	
ELEMENT, AIR CLEANER	0.2	2	15762-MC4-000	TUBE B, BREATHER					1	
SEPARATOR COMP., BREATHER		3	15772-292-010	CLIP, BREATHER TUBE					4	B,CM,E,ED,F,IT,SD,U,1G
HOLDER ASSY., ELEMENT	0.1									2G
TUBE, AIR CLEANER CONNECTING	0.4								5	DK,DM,SA
DUCT, AIR CLEANER IN.	0.3	4	17210-MC4-000	CASE COMP., AIR CLEANER					1	
		5	17212-MC4-000	STAY B, ELEMENT SETTING					1	
		6	17212-PA0-000	WASHER, AIR CLEANER					1	
		7	17213-MC4-000	ELEMENT, AIR CLEANER					1	
		8	17214-MC4-000	HOLDER ASSY., ELEMENT					1	
		9	17219-MC4-000	SEAL, AIR CLEANER COVER					1	
		10	17220-MC4-000	COVER, AIR CLEANER CASE					1	
		11	17222-MC4-000	TUBE, AIR CLEANER CONNECTING					1	

1981.12.20

E

M7



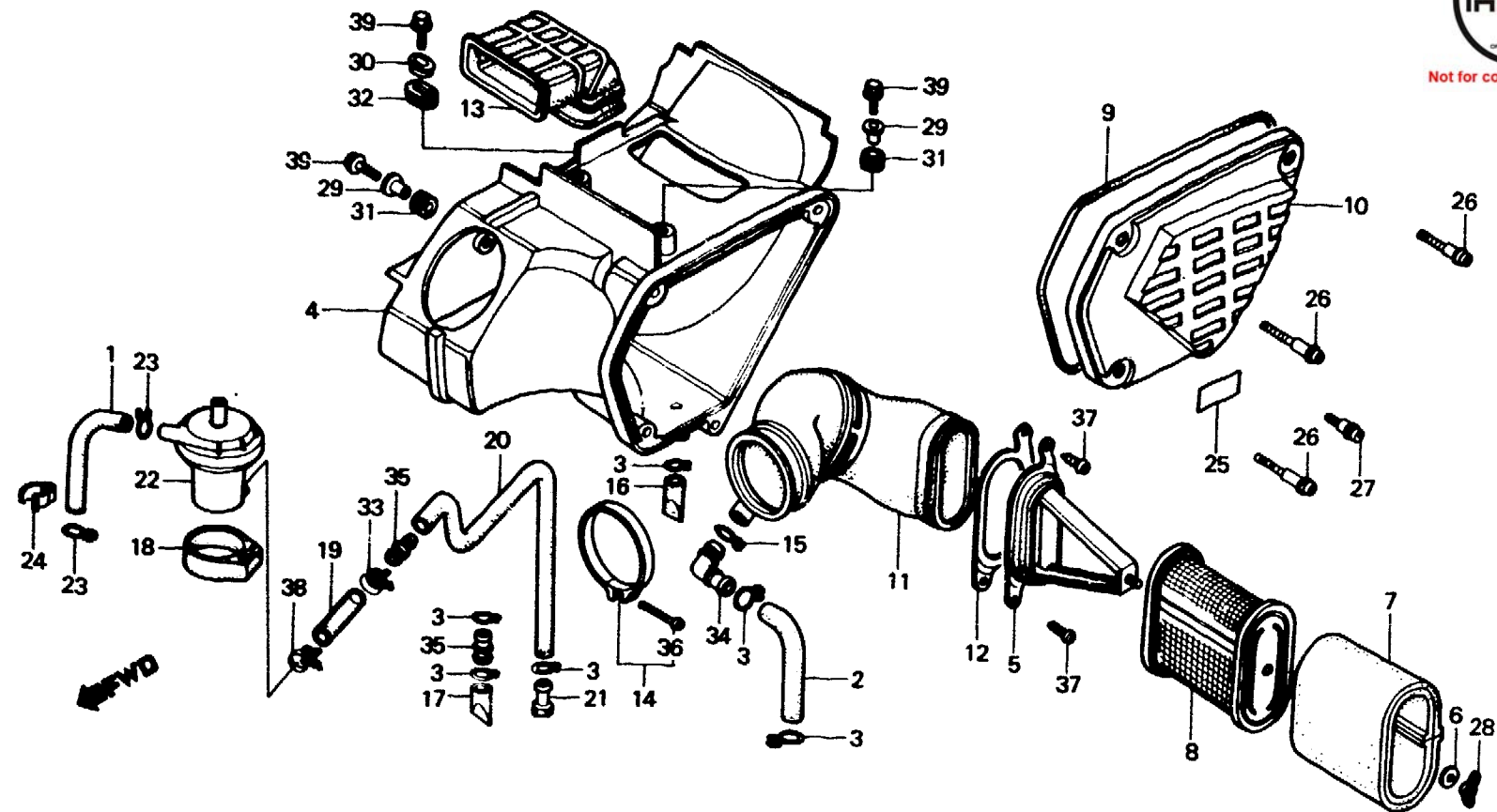
F-15-1

Air cleaner
(XL500Rc)

Filtre à air
(XL500Rc)

Luftfilter
(XL500Rc)

Limpiador de aire
(XL500Rc)



BMC4-12

Service item	F.R.T.	Ref. No.	Part No.	Description	Reqd. No.				Serial No.	Area code
					Sz	SA	Se	Rc		
		12	17223-MC4-000	STAY A, ELEMENT SETTING				1		
		13	17240-MC4-000	DUCT, AIR CLEANER IN.				1		
		14	17256-429-000	BAND ASSY., CONNECTING TUBE				1		
		15	17316-611-000	CLIP, BREATHER TUBE				1		
		16	17358-170-000	TUBE, DRAIN				1		
		17	17358-381-000	TUBE, DRAIN				1		DK,DM,SA
		18	17366-435-000	BAND, BREATHER SEPARATOR				1		
		19	17367-MC4-000	TUBE A, DRAIN				1		
		20	17368-MC4-000	TUBE B, DRAIN				1		
		21	17370-382-870	PLUG, BREATHER TUBE				1		B,CM,E,ED,F,IT,SD,U,1G 2G
		22	17370-435-315	SEPARATOR COMP., BREATHER				1		
		23	17724-102-700	CLIP, SUB TANK HOSE				2		
		24	32975-428-000	CLIP, PULSER CORD				1		

1981.12.20

E

M8



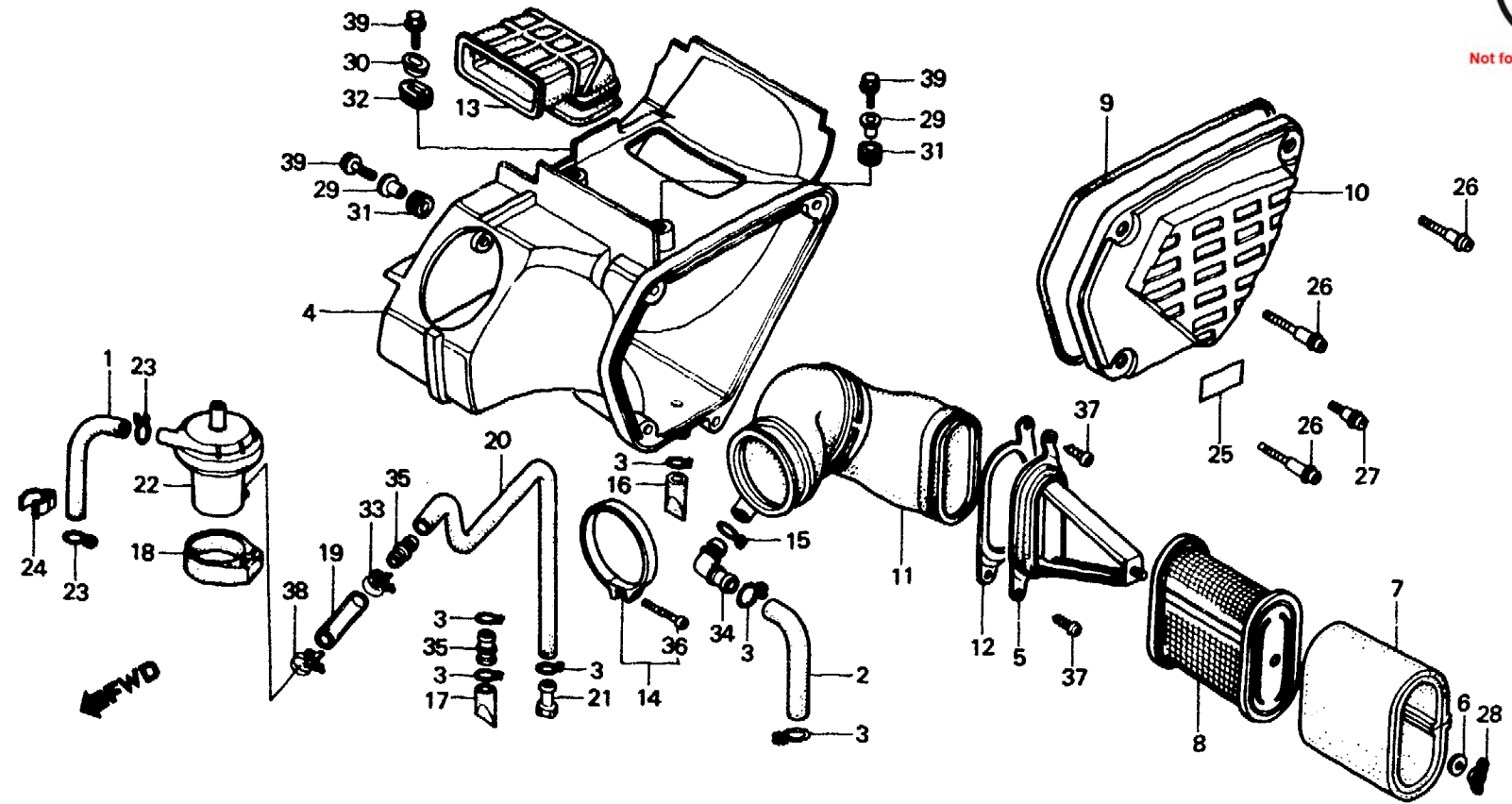
F-15-1

Air cleaner
(XL500Rc)

Filtre à air
(XL500Rc)

Luftfilter
(XL500Rc)

Limpiador de aire
(XL500Rc)



BMC4-12

Service item	F.R.T.	Ref. No.	Part No.	Description	Reqd. No.				Serial No.	Area code
					Sz	SA	SB	Rc		
		25	87507-429-620	MARK, AIR CLEANER CAUTION (FRENCH)				1		CM,F
			87508-120-000	LABEL, AIR CLEANER CAUTION				1		B,CM,DK,DM,E,ED,IT,SA,SD U,1G,2G
		26	90113-MA0-000	SCREW, AIR CLEANER SPECIAL				3		
		27	90113-MC4-000	SCREW, AIR CLEANER SPECIAL				1		
		28	90325-044-000	NUT, TOGL BOX SETTING				1		
		29	90501-MC4-000	COLLAR A, AIR CLEANER CASE				2		
		30	90502-MC4-000	COLLAR B, AIR CLEANER CASE				1		
		31	90505-MC4-000	GROMMET A, AIR CLEANER CASE				2		
		32	90506-MC4-000	GROMMET B, AIR CLEANER CASE				1		
		33	91462-393-780	CLIP, TUBE				1		

1981.12.20

E

M9

M 10

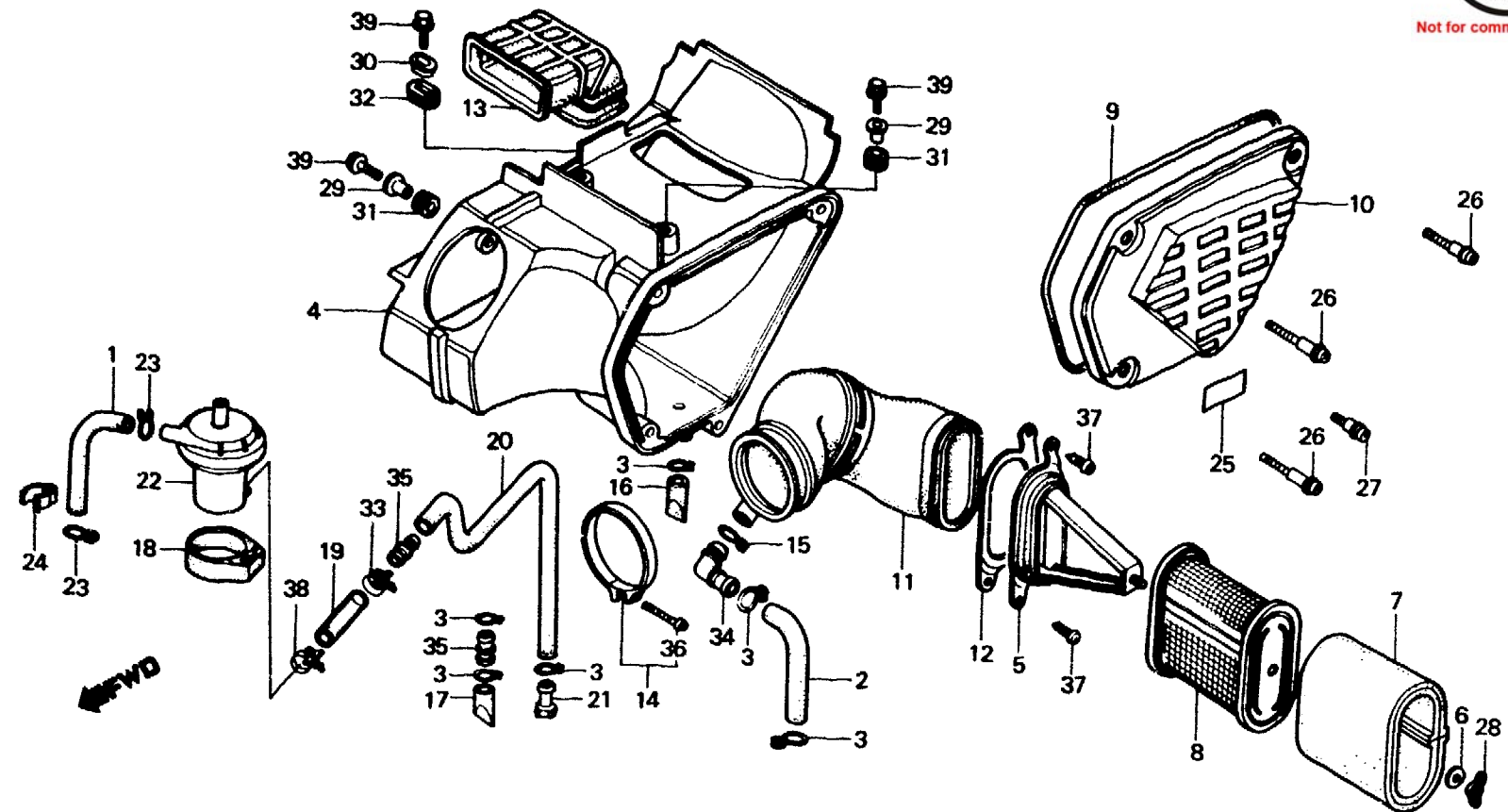
F-15-1

**Air cleaner
(XL500Rc)**

**Filtre à air
(XL500Rc)**

**Luftfilter
(XL500Rc)**

**Limpiador de aire
(XL500Rc)**



BMC4-12

Service item	F.R.T.	Ref. No.	Part No.	Description	Reqd. No.				Serial No.	Area code
					Sz	SA	SA	Rc		
		34	91463-MC4-000	JOINT, TUBE				1		
		35	91463-393-780	JOINT, TUBE				1		B,CM,E,ED,F,IT,SD,U,1G
								2		2G DK,DM,SA
		36	93500-04025-0A	SCREW, PAN, 4X25				1		
		37	93903-36220	SCREW, TAPPING, 6X16				2		
		38	95002-01160	CLIP A16, TUBE				1		
		39	95700-06016-00	BOLT, FLANGE, 6X16				3		

1981.12.20

E

M10