



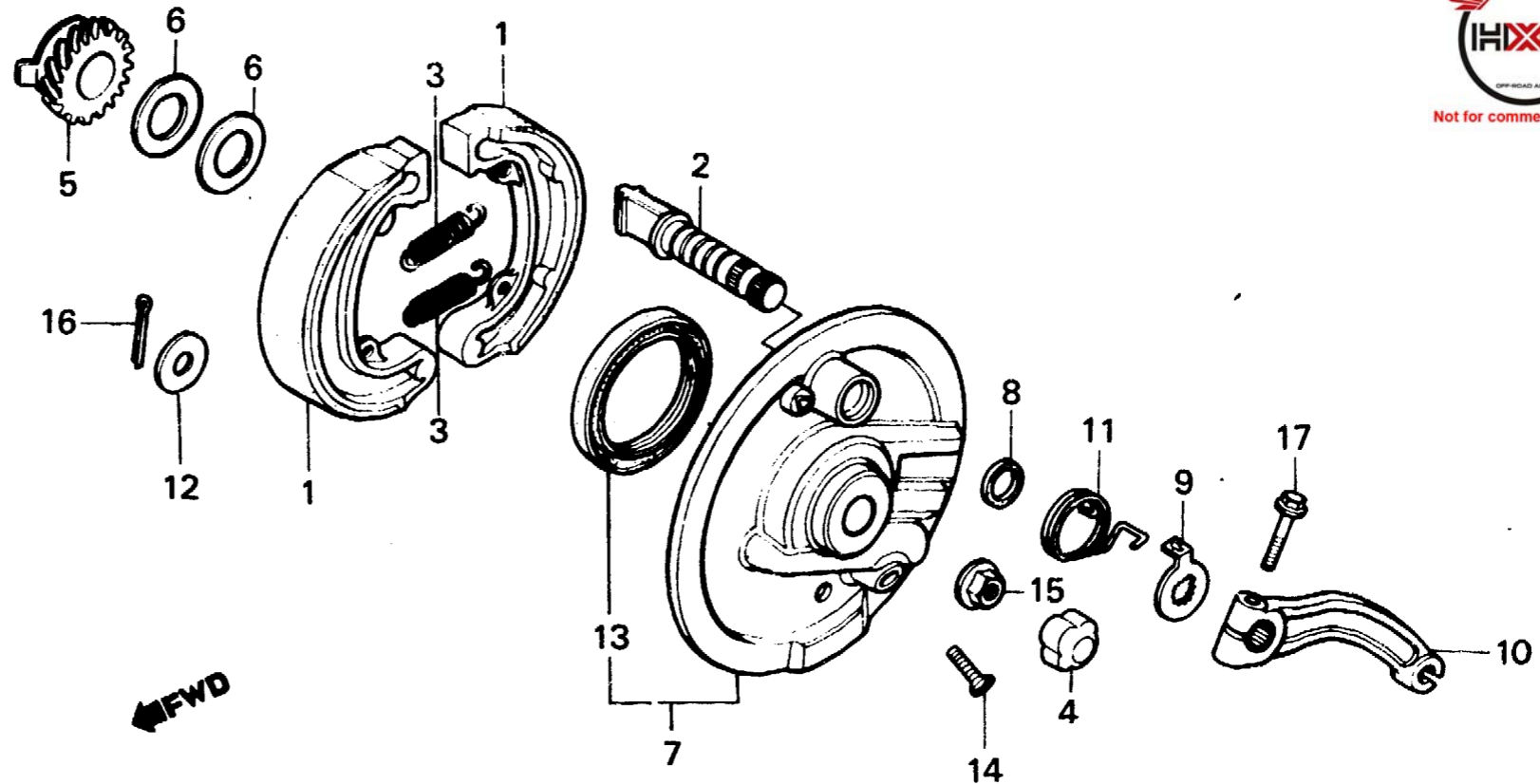
**F-8**

**Front brake panel  
(XL500Sz·SA·SB)**

**Plateau de frein avant  
(XL500Sz·SA·SB)**

**Vorderradbremssankerplatte  
(XL500Sz·SA·SB)**

**Panel de freno delantero  
(XL500Sz·SA·SB)**



B435-10A

Service item	F.R.T.	Ref. No.	Part No.	Description	Reqd. No.				Serial No.	Area code
					Sz	XL500 SA	SB	Rc		
SHOE COMP., RR. BRAKE (ONE OR ALL)	0.5	1	43120-329-670	SHOE COMP., RR. BRAKE	2					
PANEL SUB COMP., FR. BRAKE			43120-430-000	SHOE COMP., RR. BRAKE		2	2			B,CM,DK,DM,E,ED,F,SA,U 1G,2G
INC. RELATIVE PART		2	43141-399-010	CAM, RR. BRAKE	1	1	1			
GEAR COMP., SPEEDOMETER	0.3	3	43151-329-000	SPRING, RR. BRAKE SHOE	2					B,DK,DM,E,ED,F,SA,U,1G 2G
ARM, FR. BRAKE	0.4		45133-329-000	SPRING, FR. BRAKE SHOE	2	2	2			CM B,DK,DM,E,ED,F,SA,SD,I' 1G,2G
INC. RELATIVE PART							2			CM B,ED,SD,1G,2G
		4	44302-383-610	CAP, AXLE NUT	1	1	1			
		5	44804-428-000	GEAR COMP., SPEEDOMETER	1	1	1			
		6	44809-402-000	WASHER, SPEEDOMETER GEAR	2	2	2			
		7	45010-428-000	PANEL SUB COMP., FR. BRAKE	1					
			45010-435-861	PANEL SUB COMP., FR. BRAKE		1				CM

1981.12.20

E

K1



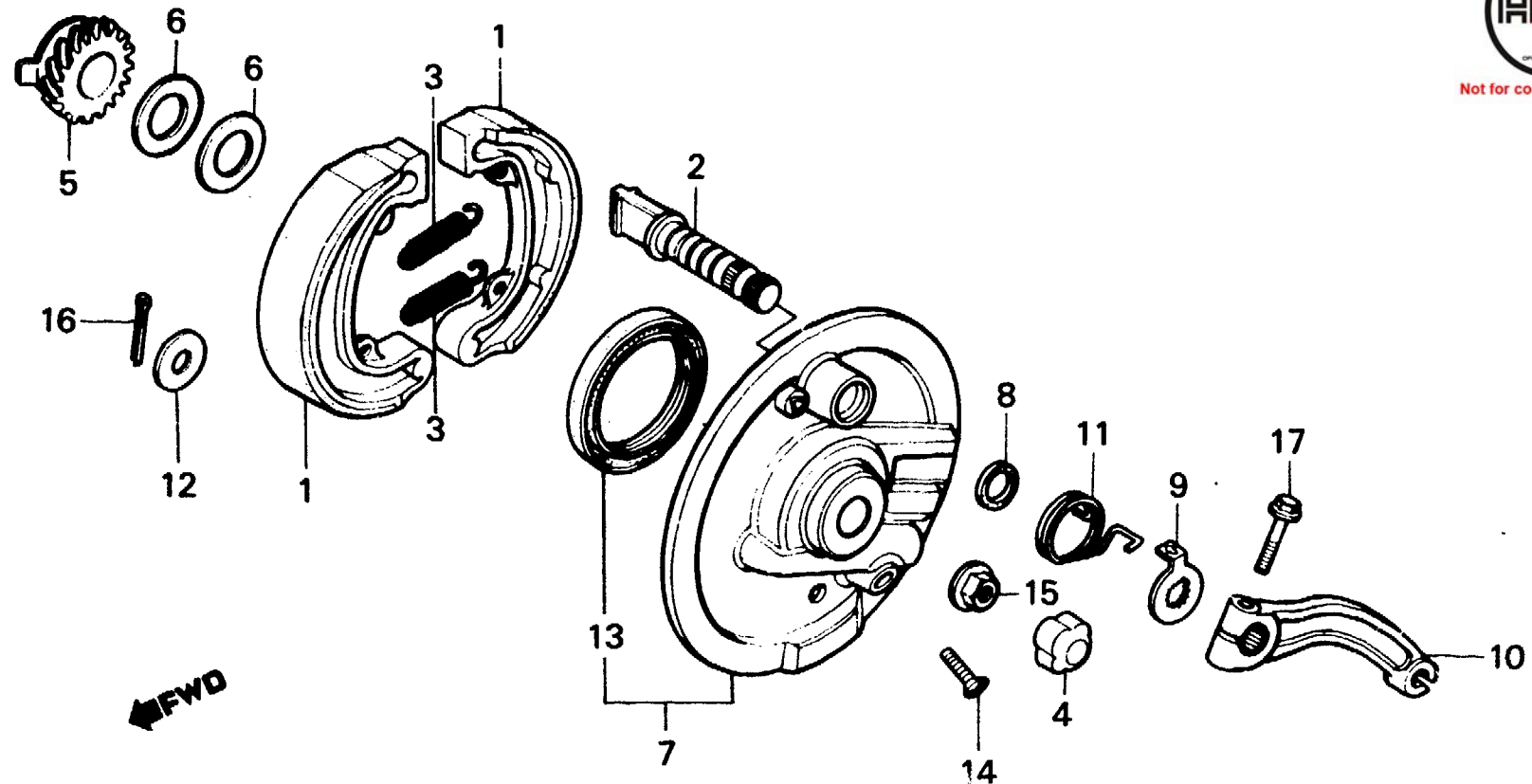
**F-8**

**Front brake panel  
(XL500Sz·SA·SB)**

**Plateau de frein avant  
(XL500Sz·SA·SB)**

**Vorderradbremssankerplatte  
(XL500Sz·SA·SB)**

**Panel de freno delantero  
(XL500Sz·SA·SB)**



B435-10A

Service item	F.R.T.	Ref. No.	Part No.	Description	Reqd. No.				Serial No.	Area code
					Sz	XL500 SA	SA	Rc		
			45010-435-860	PANEL SUB COMP., FR. BRAKE	1	1			B,DK,DM,E,ED,F,SA,SD,U	
			45010-435-861	PANEL SUB COMP., FR. BRAKE			1		1G,2G	
8			45134-250-000	DUST SEAL, BRAKE CAM	1	1	1		CM	
9			45145-428-000	INDICATOR, FR. BRAKE	1	1	1			
10			45410-435-000	ARM, FR. BRAKE	1					
			45410-435-770	ARM, FR. BRAKE		1	1			
11			45435-428-000	SPRING, BRAKE ARM RETURN	1	1	1			
12			90524-030-000	WASHER A, HANDLE HOLDER	1				B,DK,DM,E,ED,F,SA,U,1G	
				SETTING	1	1			2G	
			13 91251-121-000	OIL SEAL, 47X60X7	1	1	1		CM	
			14 93700-05016-0A	SCREW, DVAL, 5X16	1	1	1			
			15 94050-12000	NUT, FLANGE, 12MM	1	1	1			

1981.12.20

E

K2



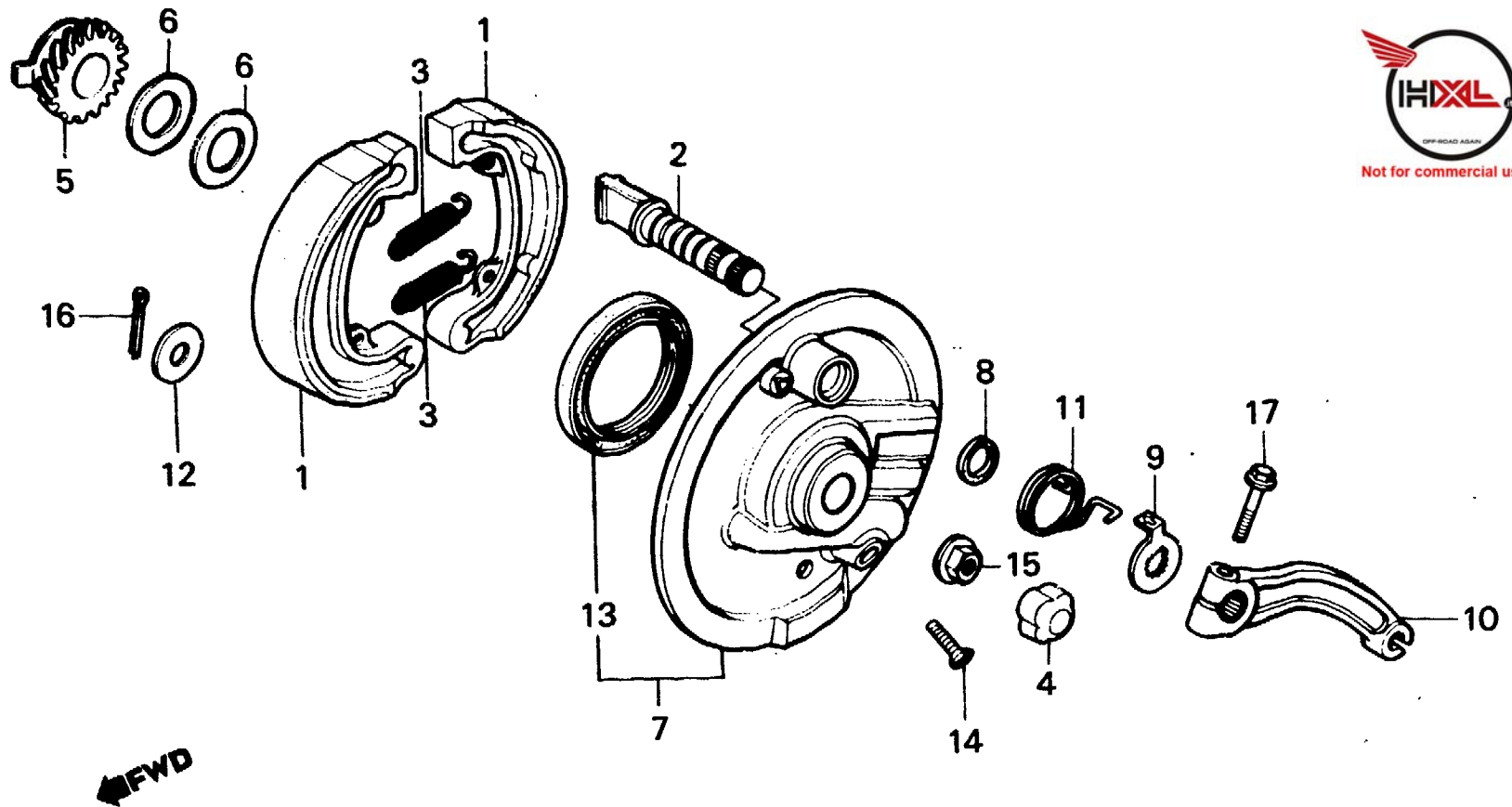
**F-8**

**Front brake panel  
(XL500Sz·SA·SB)**

**Plateau de frein avant  
(XL500Sz·SA·SB)**

**Vorderradbremssankerplatte  
(XL500Sz·SA·SB)**

**Panel de freno delantero  
(XL500Sz·SA·SB)**



B435-10A

Service item	F.R.T.	Ref. No.	Part No.	Description	Reqd. No.				Serial No.	Area code
					Sz	SA	Se	Rc		
		16	94201-20200	PIN, SPLIT, 2.0X20	1					B,DK,DM,E,ED,F,U,1G,2G
		17	95700-06028-00	BOLT, FLANGE, 6X28	1	1				CM

1981.12.20

E

K3



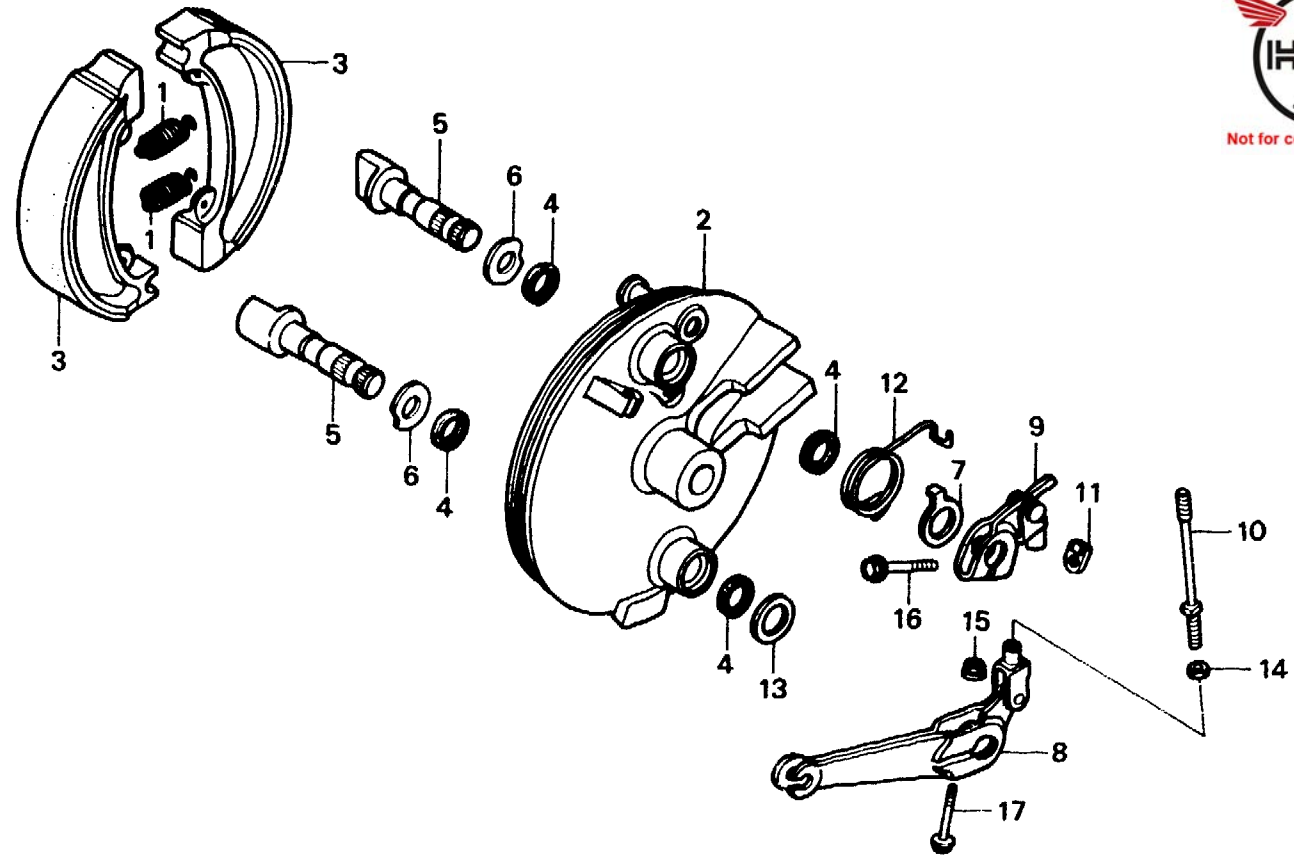
# F-8-1

Front brake panel  
(XL500Rc)

Plateau de frein avant  
(XL500Rc)

Vorderradbremssankerplatte  
(XL500Rc)

Panel de freno delantero  
(XL500Rc)



BMC4-7

Service item	F.R.T.	Ref. No.	Part No.	Description	Reqd. No.				Serial No.	Area code
					Sz	SA	SA	Rc		
PANEL COMP., FR. BRAKE INC. RELATIVE PART SHOE COMP., FR. BRAKE (ONE OR ALL) ARM A, FR. BRAKE ARM COMP. B, FR. BRAKE	0.5	1	43151-329-000	SPRING, RR. BRAKE SHOE				2		
		2	45100-MC4-000	PANEL COMP., FR. BRAKE				1		
		3	45120-MC4-005	SHOE COMP., FR. BRAKE				2		
		4	45134-KB7-005	DUST SEAL, BRAKE CAM				4		
		5	45141-MC4-000	CAM, FR. BRAKE				2		
	0.4	6	45142-MC4-000	SEAT, FR. BRAKE CAM				2		
		7	45145-MC4-000	INDICATOR, FR. BRAKE				1		
		8	45410-MA0-000	ARM A, FR. BRAKE				1		
		9	45420-MC4-000	ARM COMP. B, FR. BRAKE				1		
		10	45422-MA0-000	ROD, BRAKE ARM CONNECTING				1		
		11	45423-MC4-000	NUT B, FR. BRAKE ARM				1		
		12	45435-MC4-000	SPRING, BRAKE ARM RETURN				1		
		13	90525-MA0-000	WASHER, BRAKE ARM				1		



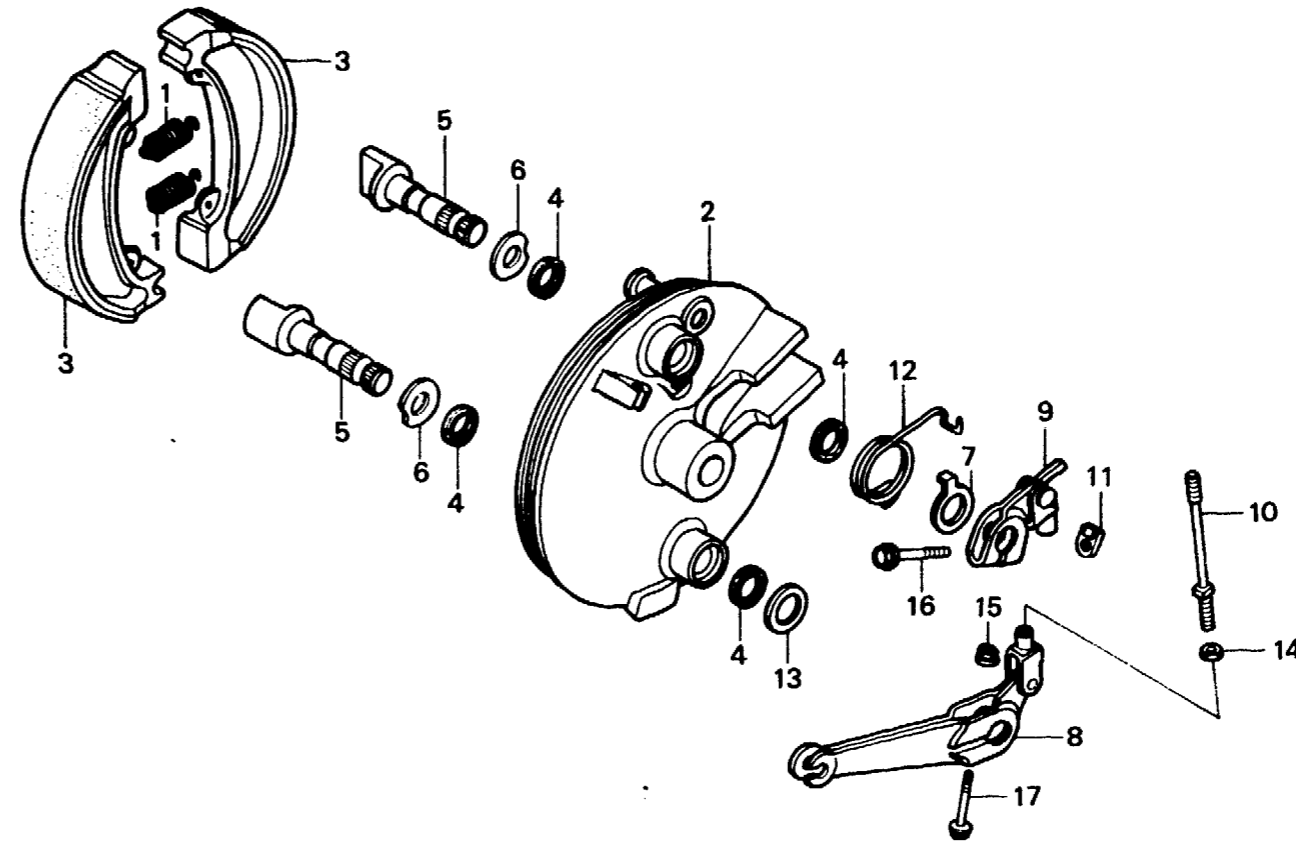
**F-8-1**

**Front brake panel  
(XL500Rc)**

**Plateau de frein avant  
(XL500Rc)**

**Vorderradbremssankerplatte  
(XL500Rc)**

**Panel de freno delantero  
(XL500Rc)**



BMC4-7

Service item	F.R.T.	Ref. No.	Part No.	Description	Reqd. No.				Serial No.	Area code
					Sz	SA	Sb	Rc		
		14	94002-06000	NUT, HEX., 6MM				1		
		15	94050-06000	NUT, FLANGE, 6MM				1		
		16	95700-06028-00	BOLT, FLANGE, 6X28				1		
		17	95700-06032-00	BOLT, FLANGE, 6X32				1		



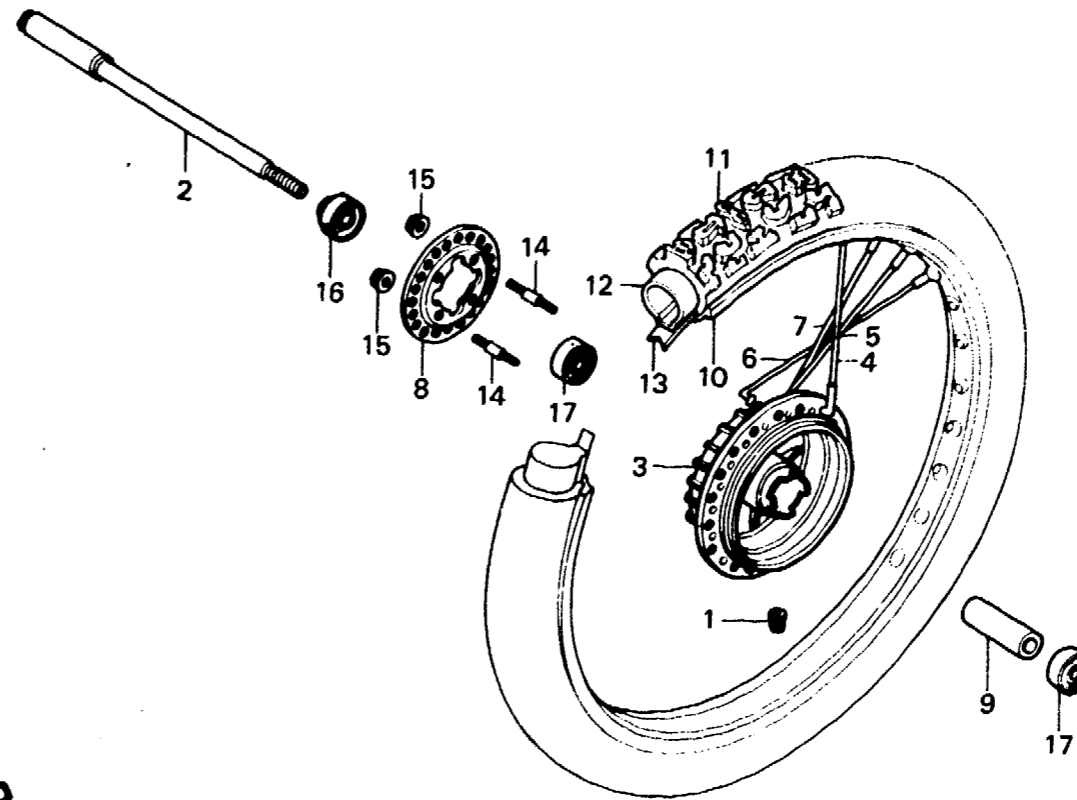
F-9

Front wheel  
(XL500Sz·SA·SB)

Roue avant  
(XL500Sz·SA·SB)

Vorderrad  
(XL500Sz·SA·SB)

Rueda delantera  
(XL500Sz·SA·SB)



B435-11

Service item	F.R.T.	Ref. No.	Part No.	Description	Reqd. No.				Serial No.	Area code
					Sz	SA	Sb	Rc		
AXLE, FR. WHEEL	0.3	1	42717-329-000	CAP, RIM HOLE	1	1	1			
HUB COMP., FR. WHEEL	2.9	2	44301-434-000	AXLE, FR. WHEEL	1	1	1			
COLLAR, FR. WHEEL DISTANCE	0.5	3	44601-429-000	HUB COMP., FR. WHEEL	1				B,DK,DM,E,ED,F,SA,U,1G 2G CM	
BEARING, RADIAL BALL, 6202U (ADD 0.1 FOR EACH.)					1	1			B,DK,DM,E,ED,F,SA,SD,U 1G,2G CM	
RIM, FR. WHEEL	2.3		44601-435-860	HUB COMP., FR. WHEEL			1		B,DK,DM,E,ED,F,SA,U,1G 2G CM	
TIRE, FR.	1.0								B,DK,DM,E,ED,F,SA,U,1G 2G CM	
TUBE, TIRE									B,DK,DM,E,ED,F,SA,SD,U 1G,2G CM	
		4	44606-444-305	SPOKE ASSY. A, FR.	9				B,DK,DM,E,ED,F,SA,U,1G 2G CM	
			44631-435-860	SPOKE SET A, FR.	9	9			B,DK,DM,E,ED,F,SA,SD,U 1G,2G CM	
		5	44607-444-305	SPOKE ASSY. B, FR.	9				B,DK,DM,E,ED,F,SA,U,1G 2G CM	
			44632-435-860	SPOKE SET B, FR.	9	9			B,DK,DM,E,ED,F,SA,SD,U 1G,2G CM	



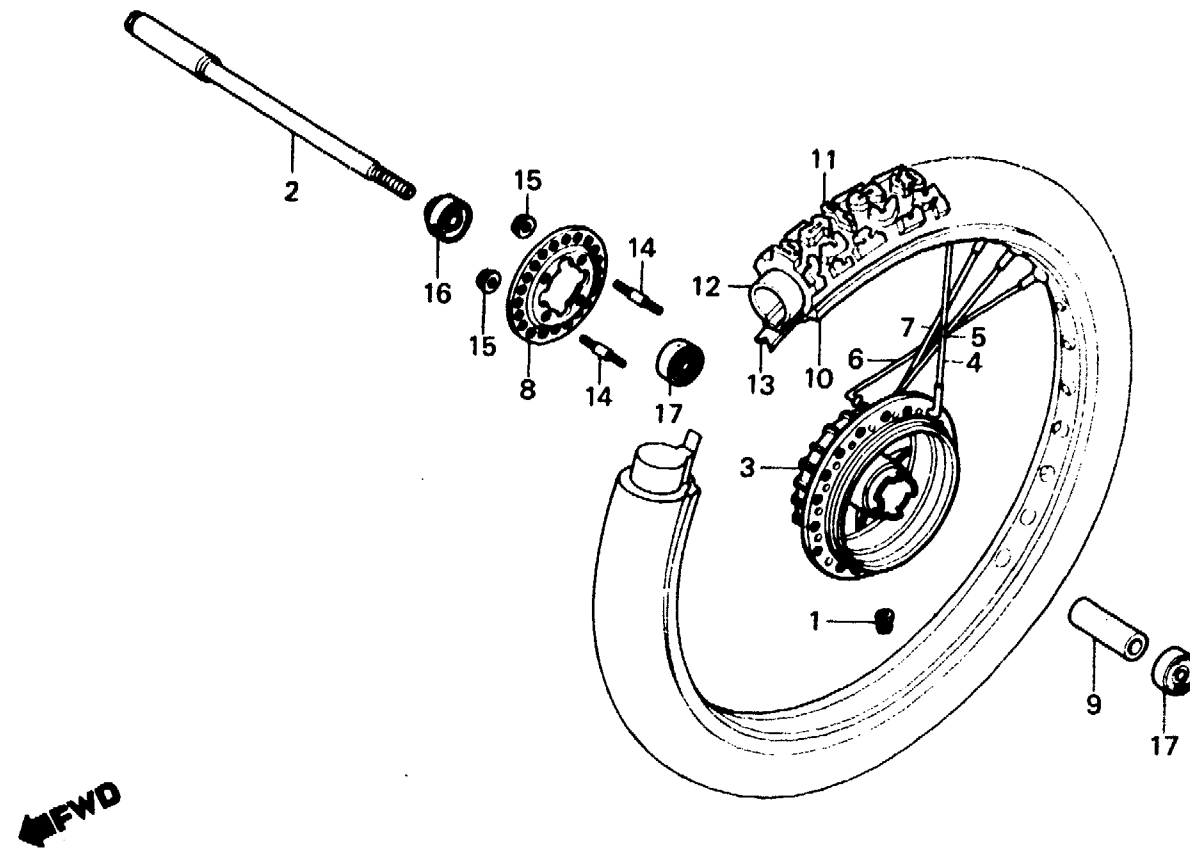
# F-9

Front wheel  
(XL500Sz·SA·SB)

Roue avant  
(XL500Sz·SA·SB)

Vorderrad  
(XL500Sz·SA·SB)

Rueda delantera  
(XL500Sz·SA·SB)



B435-11

Service item	F.R.T.	Ref. No.	Part No.	Description	Reqd. No.				Serial No.	Area code
					Sz	XL500	SA	SB		
		6	44608-444-305	SPOKE ASSY. C, FR.	9	9	9			
		7	44609-444-305	SPOKE ASSY. D, FR.	9	9	9			
		8	44610-429-000	FLANGE, FR. SPOKE	1	1	1			
		9	44620-430-000	COLLAR, FR. WHEEL DISTANCE	1	1	1			
		10	44701-428-003	RIM, FR. WHEEL (1.6X23)	1				B,DK,DM,E,ED,F,SA,U,1G,2G CM	
			44701-435-861	RIM, FR. WHEEL (1.6X23)	1	1			B,DK,DM,E,ED,F,SA,SD,U 1G,2G CM	
		11	44711-435-003	TIRE, FR. (3.00-23 BS)	1	1	1		B,DK,DM,E,ED,F,SA,SD,U 1G,2G CM	
			44711-435-671	TIRE, FR. (3.00-23 BS)	1	1	1		CM	
			44711-428-009	TIRE, FR. (3.00-23 YOKOHAMA)			1		B,DK,DM,E,ED,F,SA,SD,U 1G,2G CM	
		12	44712-434-003	TUBE, TIRE (3.00-23 BS)	1	1	1		CM	
			44712-435-003	TUBE, TIRE (3.00-23 BS)	1	1	1		B,DK,DM,E,ED,F,SA,SD,U 1G,2G	

1981.12.20

E

K7



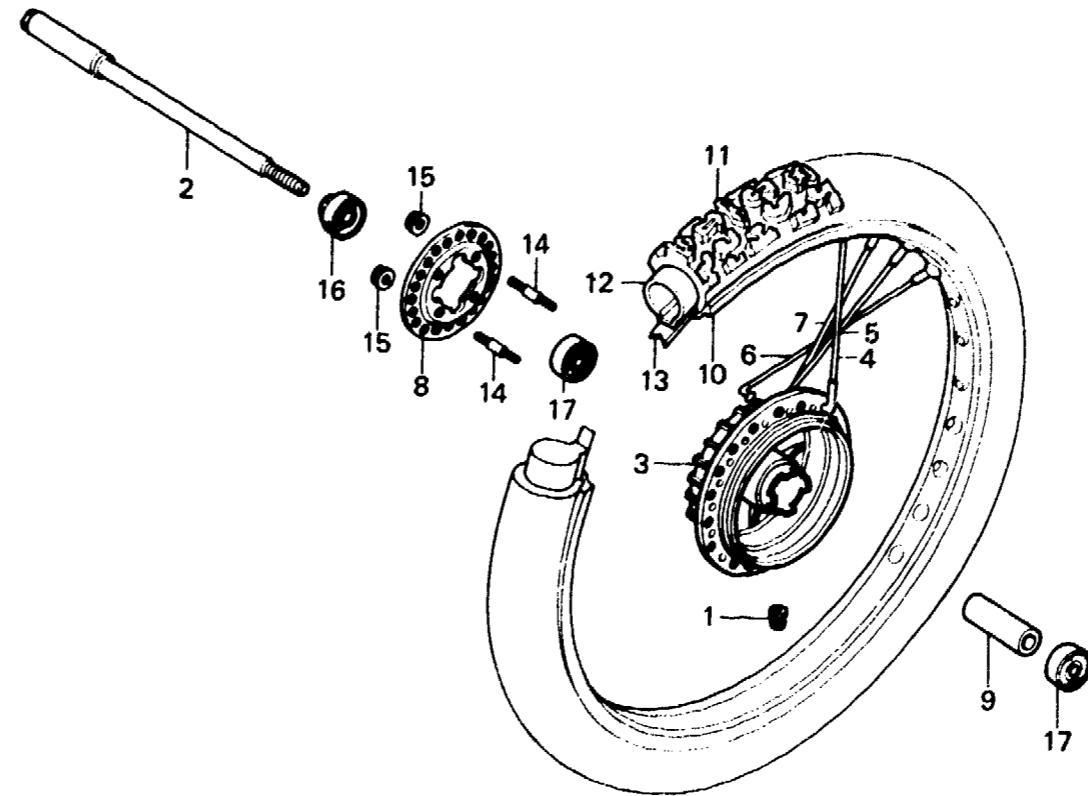
# F-9

Front wheel  
(XL500Sz·SA·SB)

Roue avant  
(XL500Sz·SA·SB)

Vorderrad  
(XL500Sz·SA·SB)

Rueda delantera  
(XL500Sz·SA·SB)



B435-11

Service item	F.R.T.	Ref. No.	Part No.	Description	Reqd. No.				Serial No.	Area code
					Sz	SA	Sb	Rc		
			44712-428-009	TUBE, TIRE (3.00-23 YOKOHAMA)			1			B,DK,DM,E,ED,F,SA,SD,U 1G,2G
		13	44713-434-003	FLAP, TIRE (1.60X23 BS)	1	1	1			B,DK,DM,E,ED,F,SA,SD,U 1G,2G
			44713-428-009	FLAP, TIRE (1.60X23 YOKOHAMA)			1			
		14	90135-107-720	BOLT, STUD, 6X28	4	4	4			
		15	90352-122-003	NUT, DRIVEN SPROCKET (TOKAI)	4	4	4			
		16	91254-430-003	DUST SEAL, 20X35X7	1	1	1			
			91254-430-005	DUST SEAL, 20X35X7	1	1	1			
		17	96140-62020-10	BEARING, RADIAL BALL, 6202U	2	2	2			

1981.12.20

E

K8





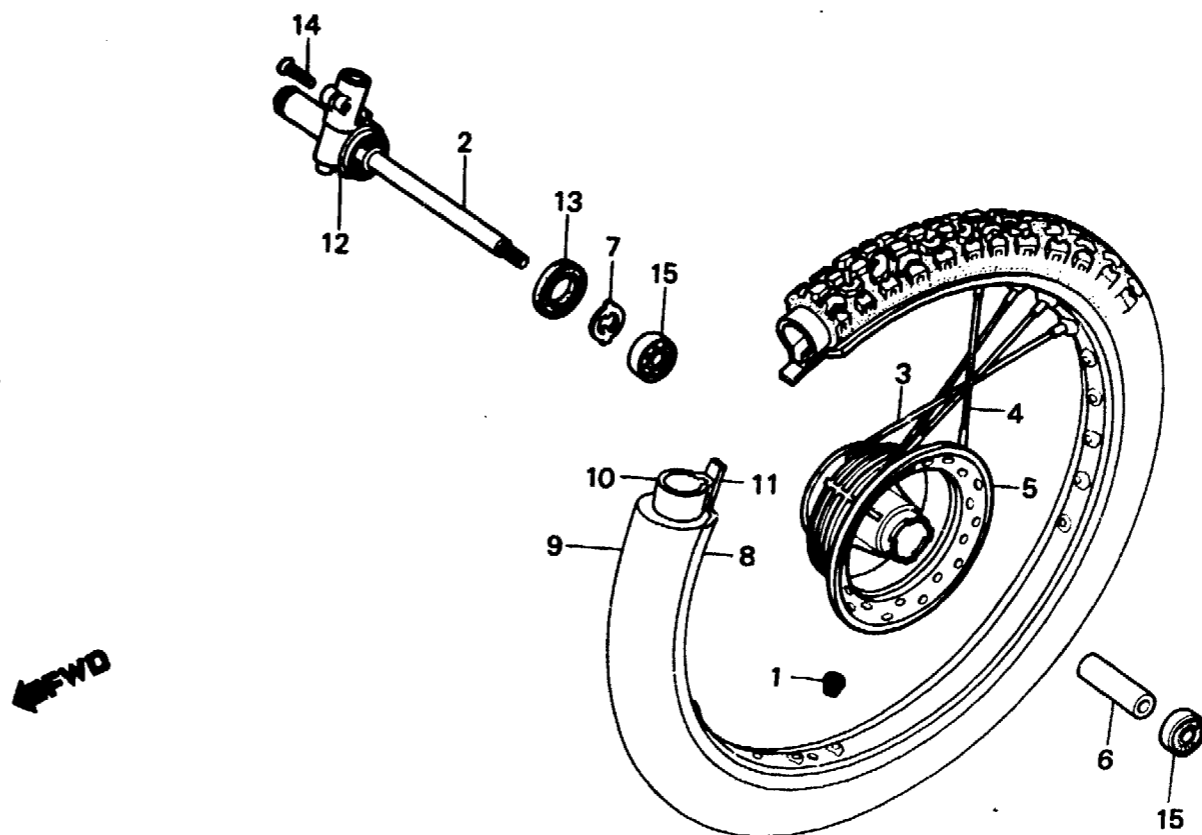
F-9-1

Front wheel  
(XL500Rc)

Roue avant  
(XL500Rc)

Vorderrad  
(XL500Rc)

Rueda delantera  
(XL500Rc)



BMC4-8

Service item	F.R.T.	Ref. No.	Part No.	Description	Reqd. No.				Serial No.	Area code
					Sz	XL500 SA	Ss	Rc		
AXLE, FR. WHEEL	0.3	1	42717-329-000	CAP, RIM HOLE				1		
BOX ASSY., SPEEDOMETER GEAR		2	44301-MA0-000	AXLE, FR. WHEEL				1		
HUB COMP., FR. WHEEL	2.7	3	446A0-MC4-000	SPOKE SET (BS8X238)				18		
COLLAR, FR. WHEEL	0.5	4	446B0-MC4-000	SPOKE SET (BS8X197.5)				18		
BEARING, RADIAL BALL, 6202U (ADD 0.1 FOR EACH.)		5	44601-KA4-700	HUB COMP., FR. WHEEL				1		
RIM, FR. WHEEL	2.3	6	44620-MA0-000	COLLAR, FR. WHEEL				1		
TIRE, FR.	1.0	7	44680-MA0-000	RETAINER, GEAR BOX				1		
TUBE, TIRE		8	44701-MC4-003	RIM, FR. WHEEL (1.60X21)				1		
		9	44711-MC4-009	TIRE, FR. (3.00-21-4PR) (YOKOHAMA)				1	B,DK,DM,E,ED,F,IT,SA,SD	
			44711-MC4-671	TIRE, FR. (3.00-21-4PR) (YOKOHAMA)				1	U,1G,2G	
		10	44712-MC4-009	TUBE, TIRE (3.00/3.25/3.50-21) (YOKOHAMA)				1	CM	
		11	44713-437-009	FLAP, TIRE (21 YOKOHAMA)				1		
		12	44800-MA0-771	BOX ASSY., SPEEDOMETER GEAR				1		
		13	91258-410-006	DUST SEAL, 40X50X5				1		
			91258-410-013	DUST SEAL, 40X50X5				1		

**K 10**

**F-9-1**

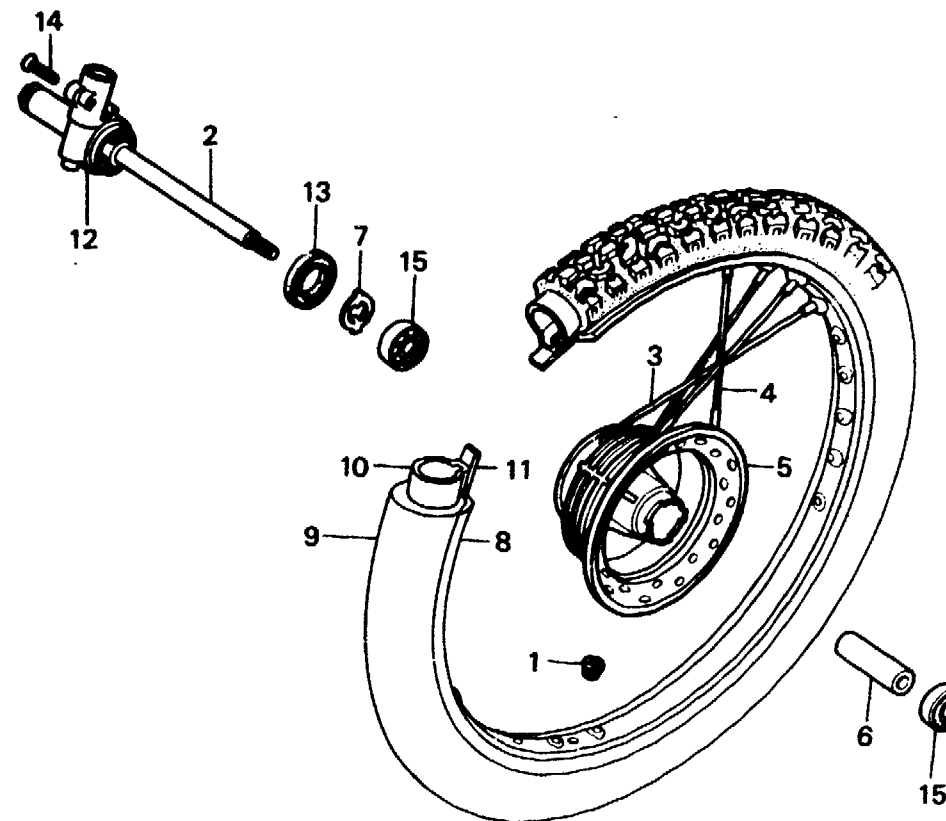
**Front wheel  
(XL500Rc)**

**Roue avant  
(XL500Rc)**

**Vorderrad  
(XL500Rc)**

**Rueda delantera  
(XL500Rc)**

**←FWD**



BMC4-8

Service item	F.R.T.	Ref. No.	Part No.	Description	Reqd. No.				Serial No.	Area code
					Sz	SA	SA	Rc		
		14	93700-05020-0A	SCREW, OVAL, 5X20				1		
		15	96140-62020-10	BEARING, RADIAL BALL, 6202U				2		

1981.12.20

E

K10

**K 11**

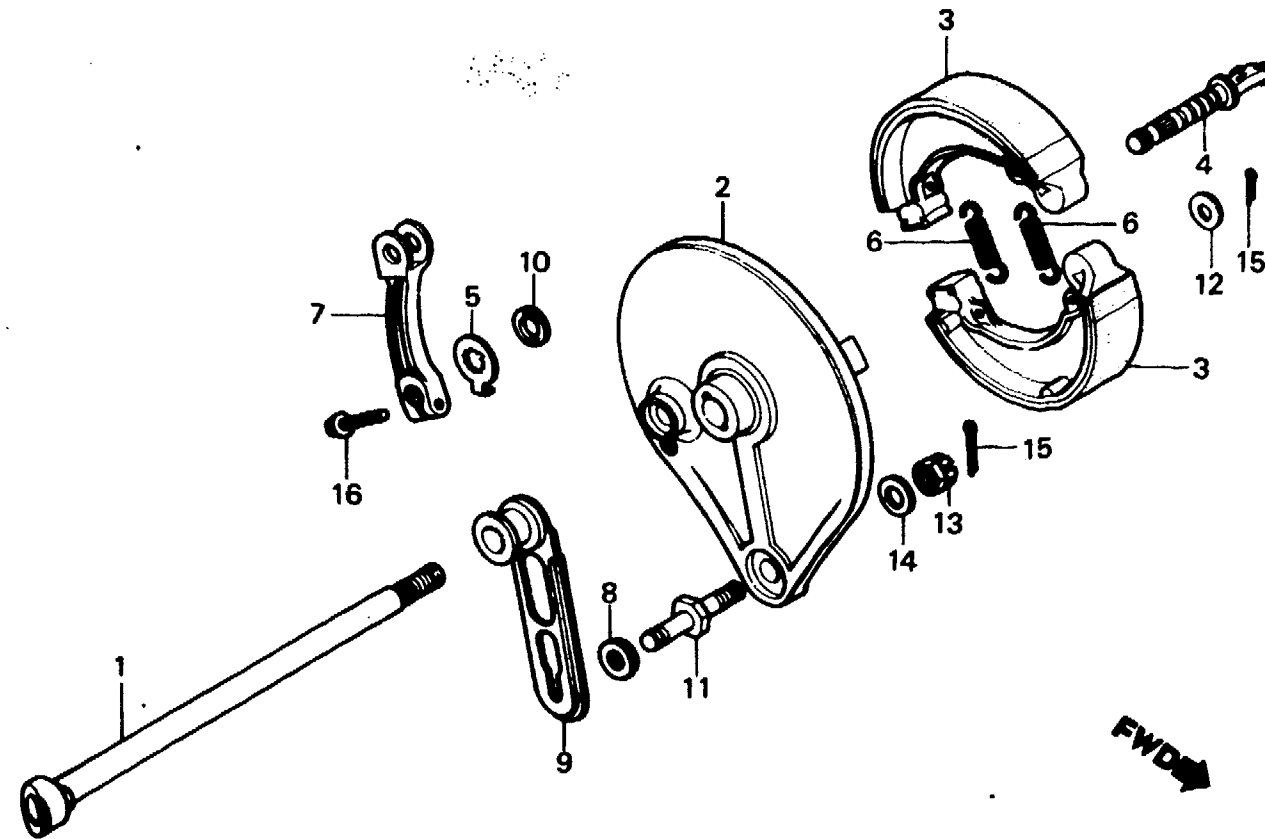
**F-10**

**Rear brake panel  
(XL500Sz·SA·SB)**

**Plateau de frein arrière  
(XL500Sz·SA·SB)**

**Hinterradbremssankerplatte  
(XL500Sz·SA·SB)**

**Panel de freno trasero  
(XL500Sz·SA·SB)**



B435-12B

Service item	F.R.T.	Ref. No.	Part No.	Description	Reqd. No. XL500				Serial No.	Area code
					Sz	SA	SB	Rc		
AXLE, RR. WHEEL	0.3	1	42301-429-000	AXLE, RR. WHEEL	1	1	1			
STOPPER COMP., BRAKE ARM	0.5	2	43100-435-000	PANEL COMP., RR. BRAKE	1				B,DK,DM,E,ED,F,SA,U,1G,2G	
PANEL COMP., RR. BRAKE									CM	
INC. RELATIVE PART					1	1			B,DK,DM,E,ED,F,SA,SD,U	
SHOE COMP., RR. BRAKE	0.1		43100-435-860	PANEL COMP., RR. BRAKE			1		1G,2G	
(ONE OR ALL)									CM	
ARM, RR. BRAKE		3	43120-429-000	SHOE COMP., RR. BRAKE	2				B,DK,DM,E,ED,F,SA,U,1G,2G	
			43120-354-670	SHOE COMP., RR. BRAKE	2	2	2		CM	
									B,DK,DM,E,ED,F,SA,SD,U	
									1G,2G	
									CM	
		4	43141-429-000	CAM, RR. BRAKE	1	1	1			
		5	43145-130-650	INDICATOR, RR. BRAKE	1	1	1			
		6	43151-329-000	SPRING, RR. BRAKE SHOE	2	2	2			
		7	43410-435-000	ARM, RR. BRAKE	1					
			43410-435-770	ARM, RR. BRAKE		1	1			
		8	43434-429-000	RUBBER COMP., STOPPER ARM	1	1	1			
				CUSHION						

**K 12**

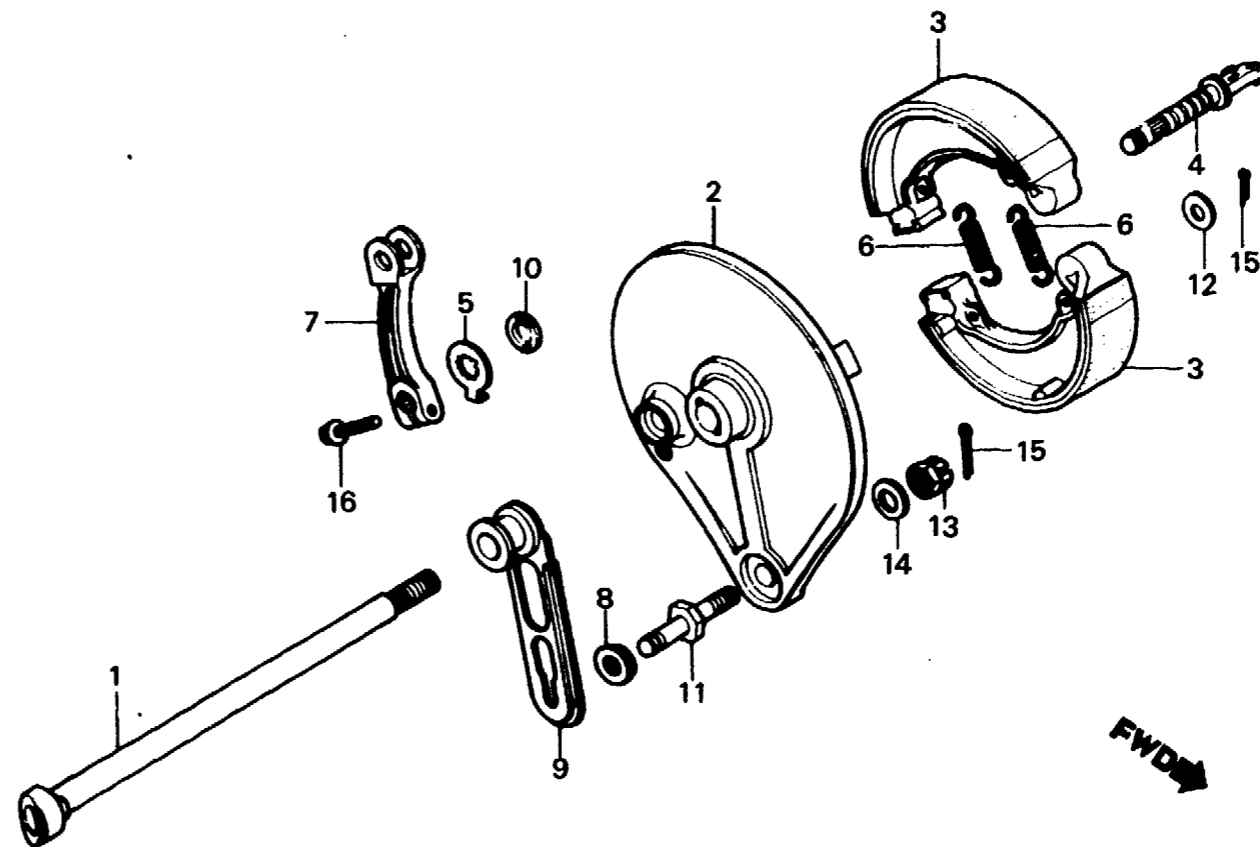
**F-10**

**Rear brake panel  
(XL500Sz·SA·SB)**

**Plateau de frein arrière  
(XL500Sz·SA·SB)**

**Hinterradbremssankerplatte  
(XL500Sz·SA·SB)**

**Panel de freno trasero  
(XL500Sz·SA·SB)**



B435-12B

Service item	F.R.T.	Ref. No.	Part No.	Description	Reqd. No. XL500				Serial No.	Area code
					Sz	SA	Sb	Rc		
		9	43435-429-000	STOPPER COMP., BRAKE ARM	1				B,DK,DM,E,ED,F,SA,U,1G 2G CM	
			43435-435-860	STOPPER COMP., BRAKE ARM	1	1			B,DK,DM,E,ED,F,SA,SD,U 1G,2G CM	
		10	45134-250-000	DUST SEAL, BRAKE CAM	1	1	1			
		11	90127-429-000	BOLT, RR. BRAKE STOPPER	1	1	1			
		12	90524-030-000	WASHER A, HANDLE HOLDER SETTING		1	1		B,DK,DM,E,ED,F,SA,SD,U 1G,2G CM	
		13	94012-10200-05	NUT, CASTLE, 10MM	1	1	1			
		14	94102-10000	WASHER, PLAIN, 10MM	1	1	1			
		15	94201-20200	PIN, SPLIT, 2.0X20	1	2	2		B,DK,DM,E,ED,F,SA,SD,U 1G,2G CM	
		16	95700-06025-00	BOLT, FLANGE, 6X25	1	1	1			



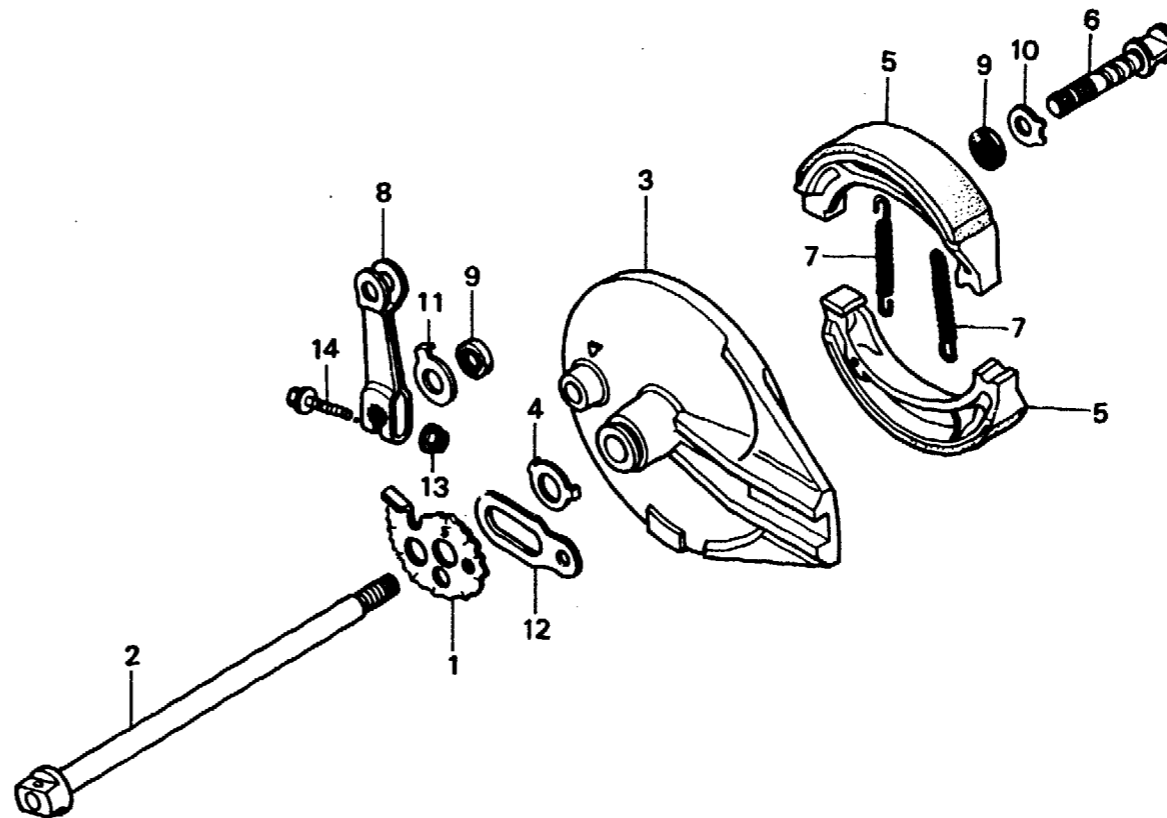
# F-10-1

Rear brake panel  
(XL500Rc)

Plateau de frein arrière  
(XL500Rc)

Hinterradbremssankerplatte  
(XL500Rc)

Panel de freno trasero  
(XL500Rc)



BKB7-10

Service item	F.R.T.	Ref. No.	Part No.	Description	Reqd. No.				Serial No.	Area code
					Sz	SA	Se	Rc		
AXLE, RR. WHEEL	0.3	1	40544-KB7-000	ADJUSTER, R. CHAIN					1	
PANEL COMP., RR. BRAKE	0.5	2	42301-MC4-000	AXLE, RR. WHEEL					1	
INC. RELATIVE PART		3	43100-MC4-000	PANEL COMP., RR. BRAKE					1	
SHOE COMP., RR. BRAKE		4	43104-MC4-000	WASHER, RR. BRAKE PANEL					1	
(ONE OR ALL)		5	43120-429-000	SHOE COMP., RR. BRAKE					2	
ARM, RR. BRAKE	0.2	6	43141-MC4-000	CAM, RR. BRAKE					1	
		7	43151-329-000	SPRING, RR. BRAKE SHOE					2	
		8	43410-MC4-000	ARM, RR. BRAKE					1	
		9	45134-KB7-005	DUST SEAL, BRAKE CAM					2	
		10	45142-KB7-000	SEAT, FR. BRAKE CAM					1	
		11	45145-086-720	INDICATOR, FR. WHEEL					1	
		12	52162-MA0-000	STOPPER, RR. AXLE					1	
		13	94050-06000	NUT, FLANGE, 6MM					1	
		14	95700-06032-00	BOLT, FLANGE, 6X32					1	