

**2-F7**

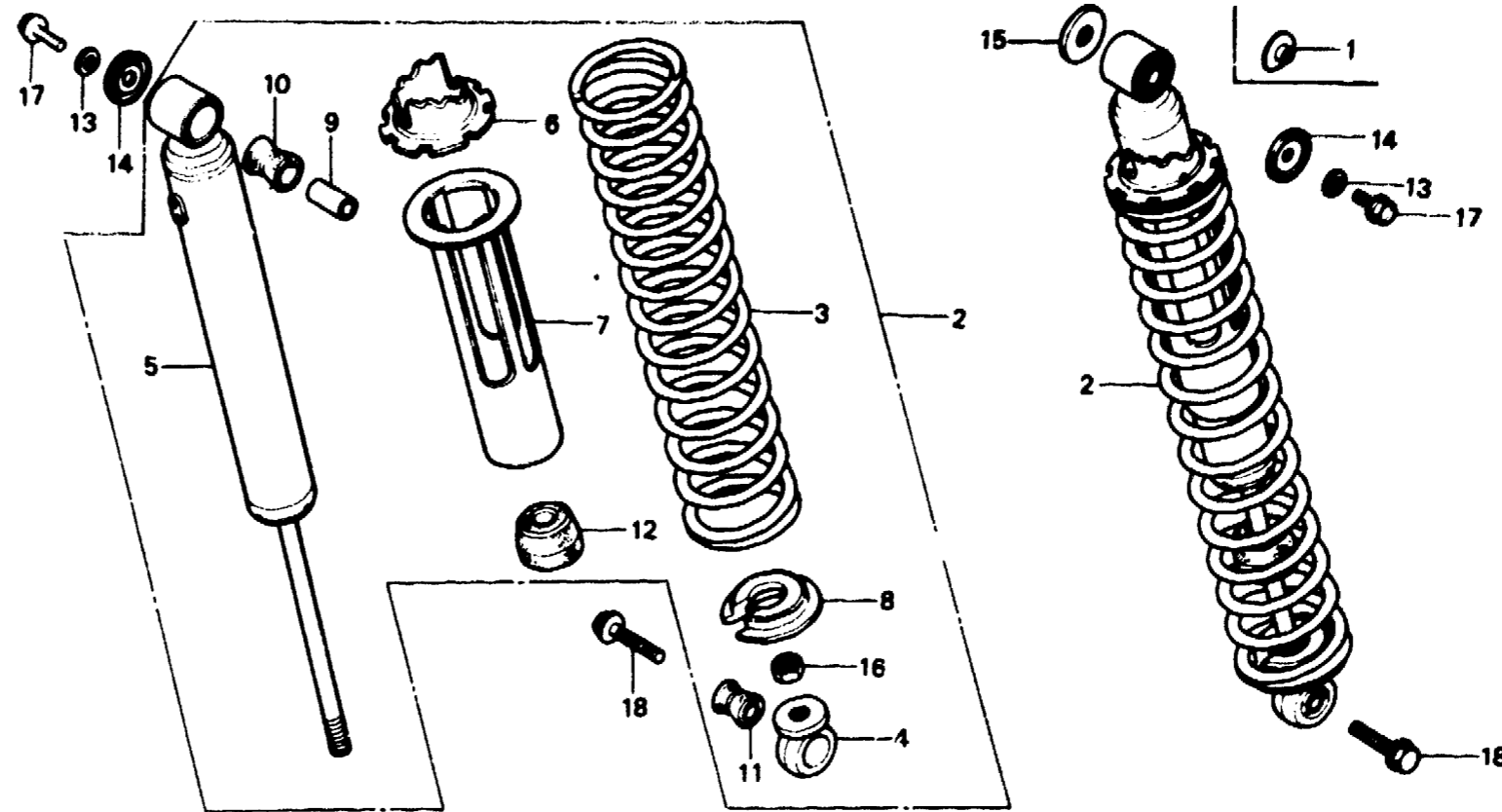
**F-20**

**Rear cushion  
(XL250S·Sz·SA·SB)**

**Amortisseur arrière  
(XL250S·Sz·SA·SB)**

**Hinterer Stoßdämpfer  
(XL250S·Sz·SA·SB)**

**Amortiguador trasero  
(XL250S·Sz·SA·SB)**



← FWD

B428-33B

Service item	F.R.T.	Ref. No.	Part No.	Description	Reqd. No.					Serial No.	Area code
					S	Sz	SA	Sb	Rc		
			95700-06016-00	BOLT, FLANGE, 6X16	2	2	2	2			CM,DK,DM,E,F,F1,F2,SA
		18	95700-10035-00	BOLT, FLANGE, 10X35	2	2	2	2			U

1982.01.10

E

2-F7

**2-F8**

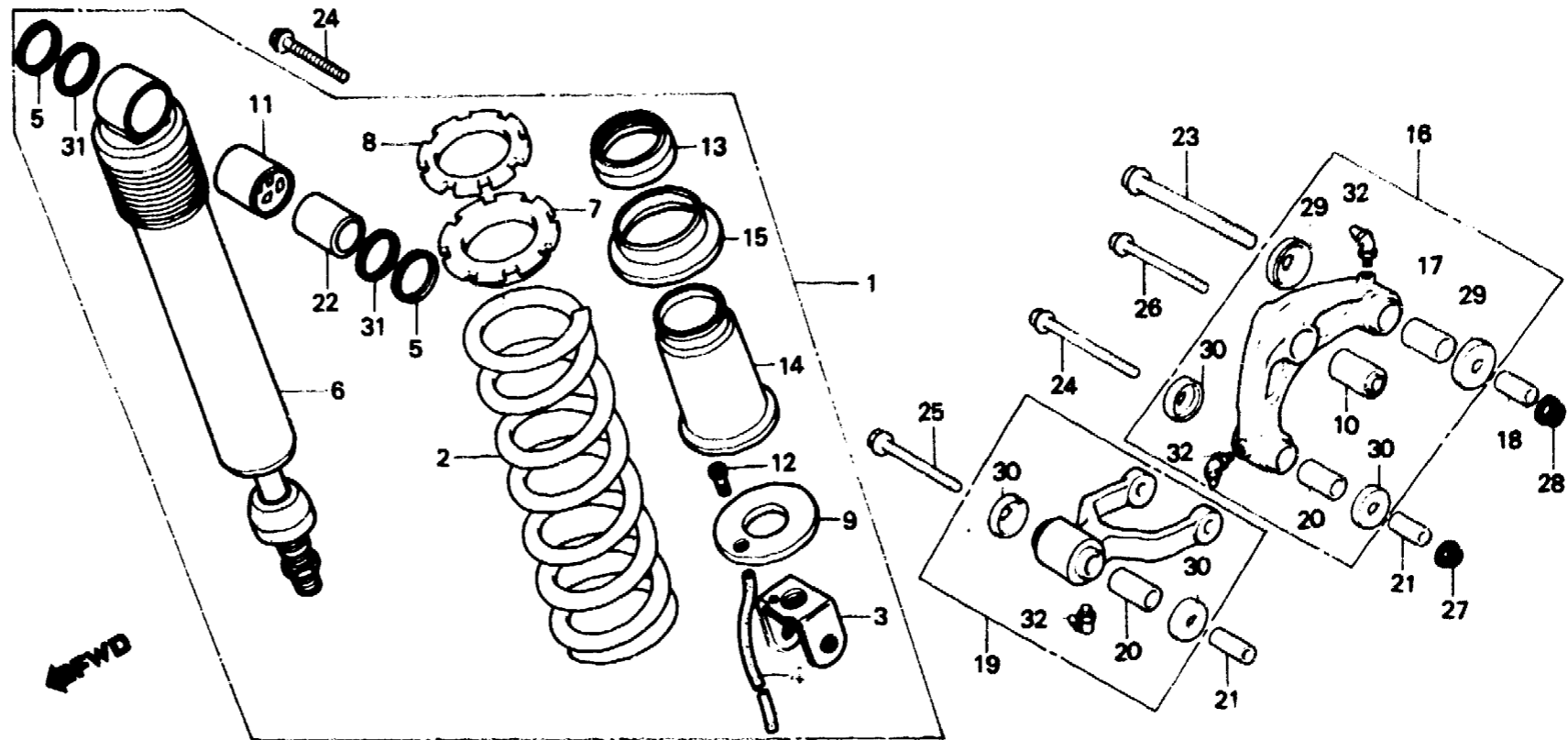
**F-20-1**

**Rear cushion  
(XL250Rc)**

**Amortisseur arrière  
(XL250Rc)**

**Hinterer Stoßdämpfer  
(XL250Rc)**

**Amortiguador trasero  
(XL250Rc)**



BKB7-18

Service item	F.R.T.	Ref. No.	Part No.	Description	Reqd. No.					Serial No.	Area code
					S	Sz	SA	Sb	Rc		
CUSHION ASSY., RR.	0.5	1	52400-KB7-003	CUSHION ASSY., RR. (SHOWA)						1	
SPRING, RR. CUSHION	0.7	2	52401-KB7-003	SPRING, RR. CUSHION						1	
DAMPER COMP., RR.	0.8	3	52403-KB7-003	METAL, LOWER						1	
BUSH, DAMPER	0.6	4	52405-KB7-003	PIPE, DRAIN						1	
BUSH, DAMPER UPPER	0.6	5	52406-KB7-003	CAP, DUST SEAL						2	
ARM ASSY., CUSHION	0.4										
ROD ASSY., CUSHION CONNECTING	0.3	6	52410-KB7-003	DAMPER COMP., RR.						1	
		7	52422-MA0-003	ADJUSTER, SPRING						1	
		8	52423-MA0-003	NUT, ADJUSTER						1	
		9	52424-KB7-003	STOPPER, SPRING SEAT						1	
		10	52451-MA0-000	BUSH, DAMPER						1	
		11	52452-KB7-003	BUSH, DAMPER UPPER						1	
		12	52456-KB7-003	JOINT, PIPE						1	
		13	52457-KB7-003	DUST SEAL						1	
		14	52458-KB7-003	GUIDE, SPRING						1	

**2-F9**

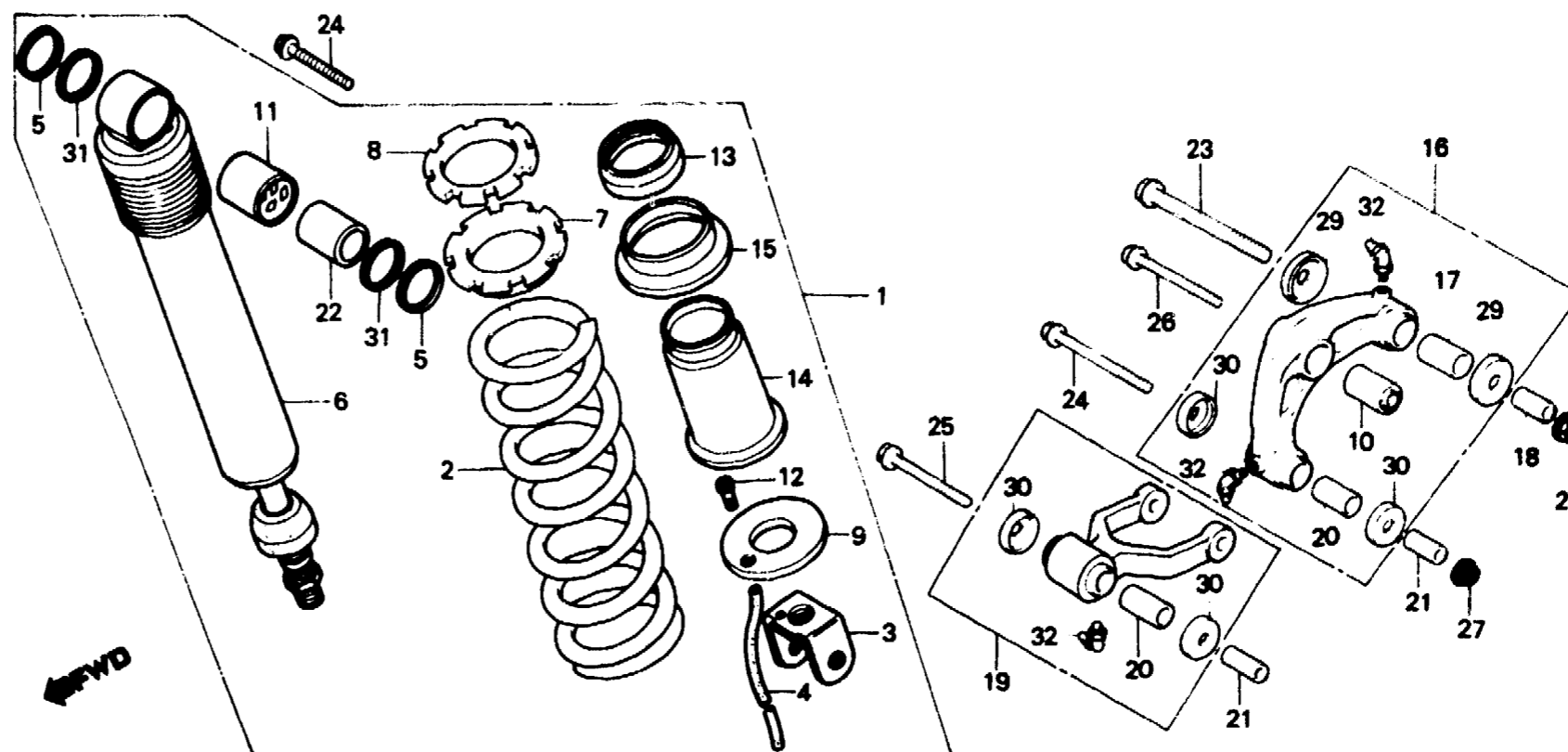
**F-20-1**

**Rear cushion  
(XL250Rc)**

**Amortisseur arrière  
(XL250Rc)**

**Hinterer Stoßdämpfer  
(XL250Rc)**

**Amortiguador trasero  
(XL250Rc)**



BK87-18

Service item	F.R.T.	Ref. No.	Part No.	Description	Reqd. No.					Serial No.	Area code
					S	Sz	SA	SA	Rc		
		15	52459-KB7-003	SEAT C, SPRING					1		
		16	52460-MA0-000	ARM ASSY., CUSHION					1		
		17	52462-MA0-003	BUSH, CUSHION ARM					1		
		18	52463-MA0-000	COLLAR, CUSHION ARM PIVOT					1		
		19	52470-MA0-000	ROD ASSY., CUSHION CONNECTING					1		
		20	52472-MA0-003	BUSH, CUSHION CONNECTING ROD					2		
		21	52473-MA0-000	COLLAR, CONNECTING ROD PIVOT					2		
		22	52486-KB7-003	COLLAR, DAMPER UPPER					1		
		23	90128-MA0-003	BOLT, FLANGE, 12X78					1		
		24	90129-MA0-003	BOLT, FLANGE, 10X69					2		
		25	90151-MA0-000	BOLT, FLANGE, 10X68					1		
		26	90153-MC4-003	BOLT, FLANGE, 10X43					1		

**2-F10**

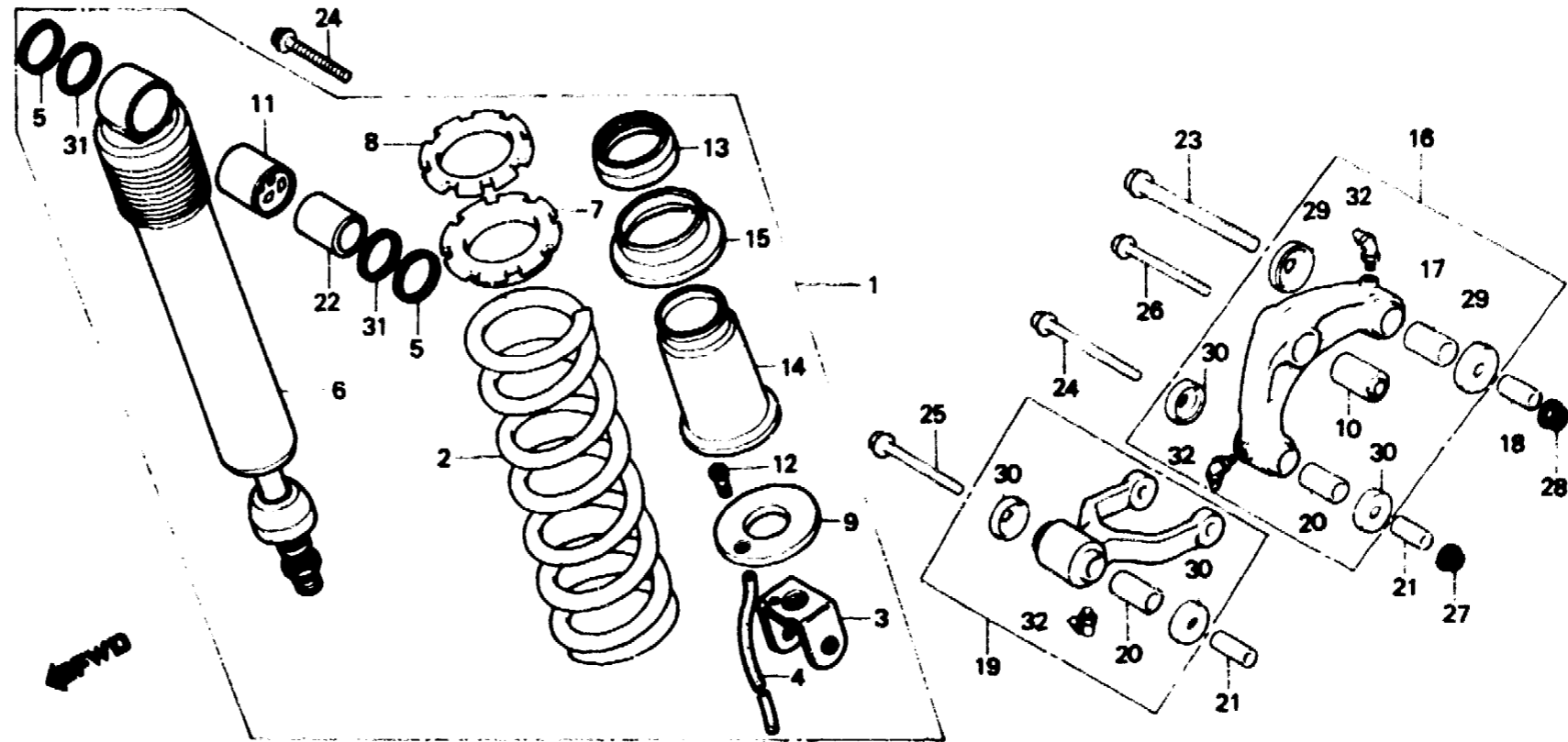
**F-20-1**

**Rear cushion  
(XL250Rc)**

**Amortisseur arrière  
(XL250Rc)**

**Hinterer Stoßdämpfer  
(XL250Rc)**

**Amortiguador trasero  
(XL250Rc)**



BK7-18

Service item	F.R.T.	Ref. No.	Part No.	Description	Reqd. No.					Serial No.	Area code
					S	Sz	SA	Se	Rc		
		27	90304-GA6-003	NUT, AXLE						1	
		28	90306-181-761	NUT, FLANGE, 12MM						1	
		29	91261-MA0-003	SEAL, RR. CUSHION ARM PIVOT						2	
			91261-MA0-005	SEAL, RR. CUSHION ARM PIVOT						2	
		30	91262-MA0-003	SEAL, RR. CUSHION CONNECTING ROD PIVOT						4	
			91262-MA0-005	SEAL, RR. CUSHION CONNECTING ROD PIVOT						4	
		31	91351-KB7-003	DUST SEAL B						2	
		32	96201-80000	NIPPLE, GREASE, B.T6S						3	

1982.01.10

E

2-F10

**2-F11**

**F-21**

**Rear fender**

(XL250S,Sz,SA,Sb-CM,  
DK,DM,E,SA,U)

**Garde-boue arrière**

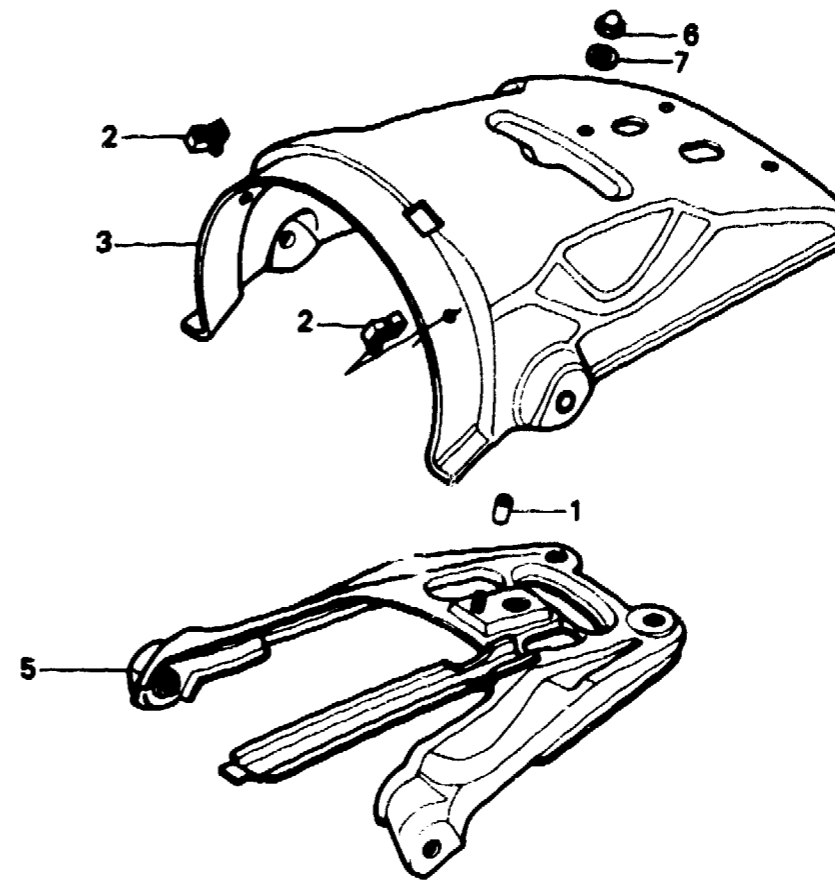
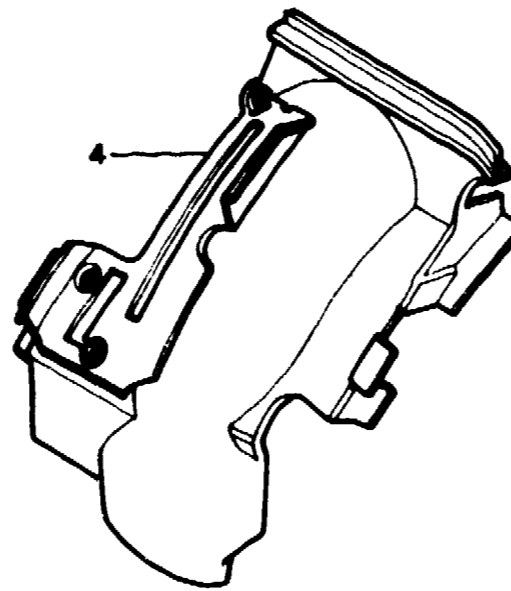
(XL250S,Sz,SA,Sb-CM,  
DK,DM,E,SA,U)

**Hinterer Kotflügel**

(XL250S,Sz,SA,Sb-CM,  
DK,DM,E,SA,U)

**Parafango trasero**

(XL250S,Sz,SA,Sb-CM,  
DK,DM,E,SA,U)



←P.W.D

B428-34A

Service item	F.R.T.	Ref. No.	Part No.	Description	Reqd. No.					Serial No.	Area code
					S	Sz	SA	Sb	Rc		
FENDER ASSY., RR.	0.4	1	11346-371-300	COLLAR, ADJUSTING COVER					1		E
PATCH, RR. FENDER		2	32985-300-000	GROMMET, WIRE CORD	2	2	2	2			CM,DK,DM,SA,U
FENDER COMP. B, RR.	0.2	3	80100-428-000ZA	FENDER ASSY., RR. *R-23*	1	1			1		E
			80100-428-000ZB	FENDER ASSY., RR. *PB-104*	1				1		CM
			80100-428-000ZC	FENDER ASSY., RR. *NH-24*	1				1		DK,DM,SA,U
			80100-428-000ZD	FENDER ASSY., RR. *R-33*					1		E
			80100-428-000ZE	FENDER ASSY., RR. *R-110*					1		CM
			80100-428-000ZF	FENDER ASSY., RR. *NH-104M-U*					1		CM,DK,DM,E,SA,U
			80100-428-000ZH	FENDER ASSY., RR. *NH-111*					1		DK,DM,E,SA,U
		4	80105-428-000	FENDER COMP. B, RR.	1	1	1	1			DK,DM,E,SA,U
									1		CM,DK,DM,SA,U
									1		E

**2-F12**

**F-21**

**Rear fender**

(XL250S,Sz,SA,Sb-CM,  
DK,DM,E,SA,U)

**Garde-boue arrière**

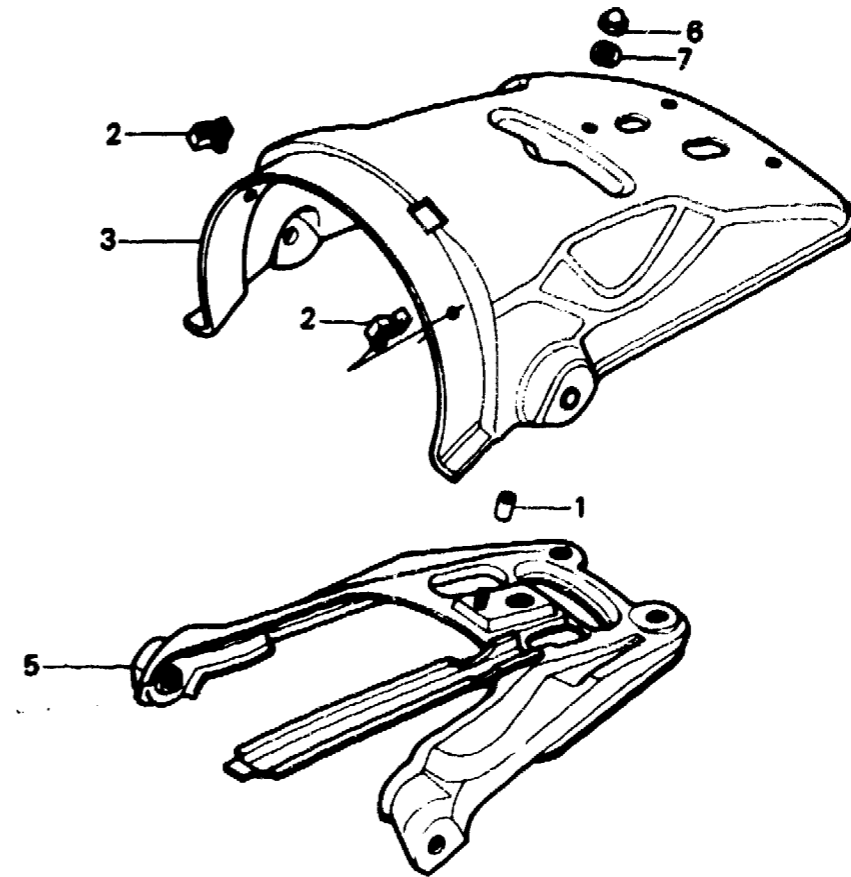
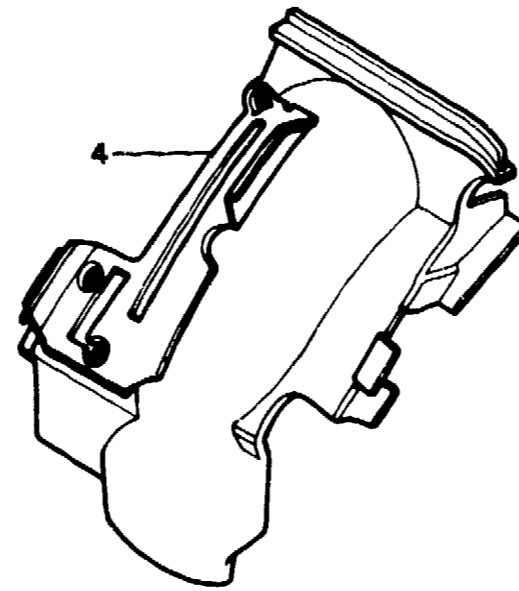
(XL250S,Sz,SA,Sb-CM,  
DK,DM,E,SA,U)

**Hinterer Kotflügel**

(XL250S,Sz,SA,Sb-CM,  
DK,DM,E,SA,U)

**Parafango trasero**

(XL250S,Sz,SA,Sb-CM,  
DK,DM,E,SA,U)



←RWD

E428-34A

Service item	F.R.T.	Ref. No.	Part No.	Description	Reqd. No.					Serial No.	Area code
					S	Sz	SA	Sb	Rc		
		5	80110-428-000	PATCH, RR. FENDER	1	1	1	1			CM,DK,DM,SA,U E
		6	90201-415-000	NUT, CAP, 6MM	1	1	1	1			CM,DK,DM,SA,U E
		7	94101-06000	WASHER, PLAIN, 6MM	1	1	1	1			CM,DK,DM,SA,U E

**2-F13**

**F-21-1**

**Rear fender**

(XL250S, SA, SB-B, E, ED, F, F1, F2, G, G1, G2, SA, SD, SW)

**Garde-boue arrière**

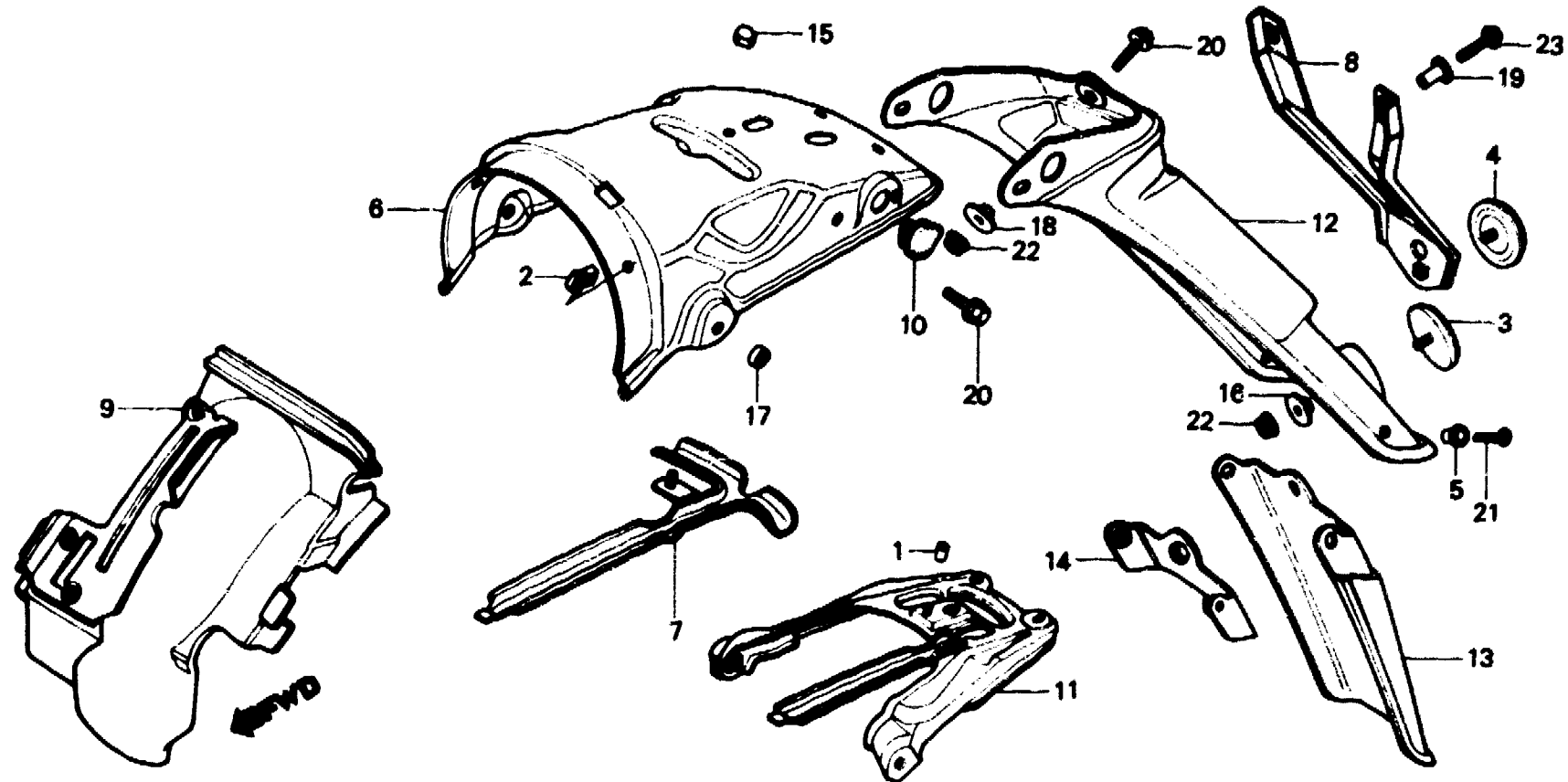
(XL250S, SA, SB-B, E, ED, F, F1, F2, G, G1, G2, SA, SD, SW)

**Hinterer Kotflügel**

(XL250S, SA, SB-B, E, ED, F, F1, F2, G, G1, G2, SA, SD, SW)

**Parafango trasero**

(XL250S, SA, SB-B, E, ED, F, F1, F2, G, G1, G2, SA, SD, SW)



B428-51A

Service item	F.R.T.	Ref. No.	Part No.	Description	Reqd. No.				Serial No.	Area code
					S	Sz	SA	SB		
FENDER, RR.	0.3	1	11946-371-300	COLLAR, ADJUSTING COVER						F1, F2
PATCH, RR. FENDER		2	32985-300-000	GROMMET, WIRE CORD	1					E
FENDER COMP. B, RR.	0.1				1		1	1		B, ED, F, F1, F2, G, G1, G2
MUDGUARD, RR. FENDER										SD, SW
FENDER C, RR.	0.2	3	33741-081-601	REFLECTOR, REFLEX	1		1	1		B, ED, F, G, G1, G2, SD, SW
					1					E
		4	33741-148-871	REFLECTOR, RR. REFLEX						F1, F2
		5	61304-292-000	COLLAR, HEADLIGHT SETTING	3		3	3		DK, DM, SA, U
										F1, F2
		6	80100-428-610ZA	FENDER, RR. *R-23*	1		1			ED, SD, SW
					1					B, ED, F, F1, F2, G, G1, G2
			80100-428-610ZB	FENDER, RR. *PB-104*	1					SD, SW
			80100-428-610ZC	FENDER, RR. *NH-24*	1		1			E
					1					B, ED, F, G, SW
					1					E, ED, F, G, SW
					1					B, ED, F, F1, F2, G, G1, G2
					1					SD, SW
			80100-428-000ZE	FENDER ASSY., RR. *R-110*				1		E
										F1, F2

**2-F14**

**F-21-**

**Rear fender**

(XL250S,SA,SB-B,E,ED,F,F1,  
F2,G,G1,G2,SA,SD,SW)

**Garde-boue arrière**

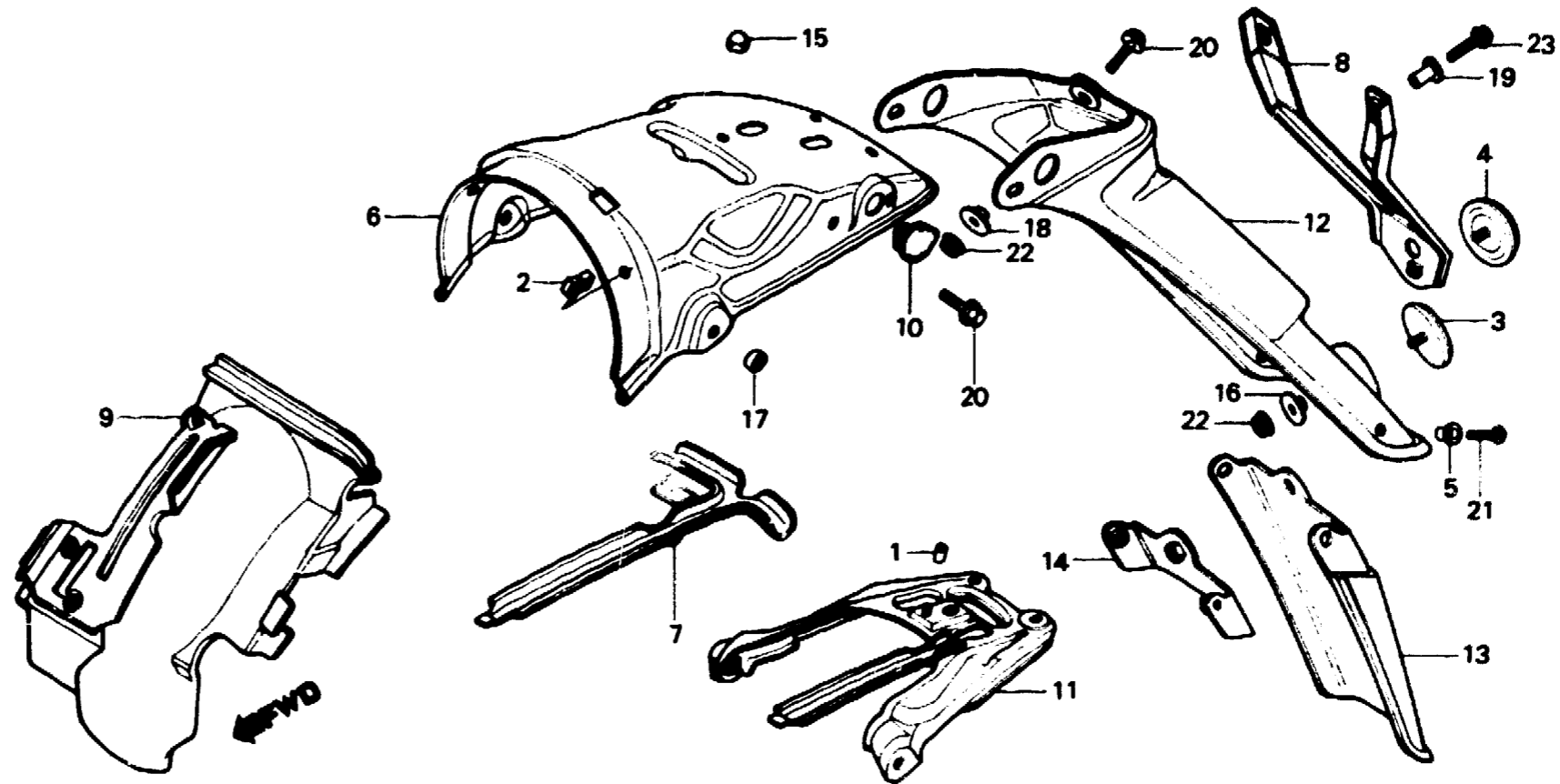
(XL250S,SA,SB-B,E,ED,F,F1,  
F2,G,G1,G2,SA,SD,SW)

**Hinterer Kotflügel**

(XL250S,SA,SB-B,E,ED,F,F1,  
F2,G,G1,G2,SA,SD,SW)

**Parafango trasero**

(XL250S,SA,SB-B,E,ED,F,F1,  
F2,G,G1,G2,SA,SD,SW)



B428-51A

Service item	F.R.T.	Ref. No.	Part No.	Description	Reqd. No.					Serial No.	Area code
					S	Sz	SA	SB	Rc		
			80100-428-000ZF	FENDER ASSY., RR. *NH-104M-U*							F1,F2
			80100-428-000ZH	FENDER ASSY., RR. *NH-111*							F1,F2
			80100-428-610ZD	FENDER ASSY., RR. *R-110*							B,ED,G1,G2,SD,SW
			80100-428-610ZE	FENDER ASSY., RR. *NH-104M-U*							B,ED,G1,G2,SD,SW
			80100-428-610ZF	FENDER ASSY., RR. *NH-111*							B,ED,G1,G2,SD,SW
		7	80102-428-610	COVER, RR. FENDER WIRE HARNESS	1		1	1			B,ED,F,G,G1,G2,SD,SW
					1						E
		8	80102-435-870	STAY, REFLECTOR			1				F1,F2
		9	80105-428-000	FENDER COMP. B, RR.	1		1	1			F1,F2
					1						B,ED,F,G,G1,G2,SD,SW
											E
		10	80108-435-600	PLUG, RR. FENDER				2			F1,F2
											F1,F2
		11	80110-428-000	PATCH, RR. FENDER					1		F1,F2



# 2-F15

## F-21-1

### Rear fender

(XL250S, SA, SB-B, E, ED, F, F1, F2, G, G1, G2, SA, SD, SW)

### Garde-boue arrière

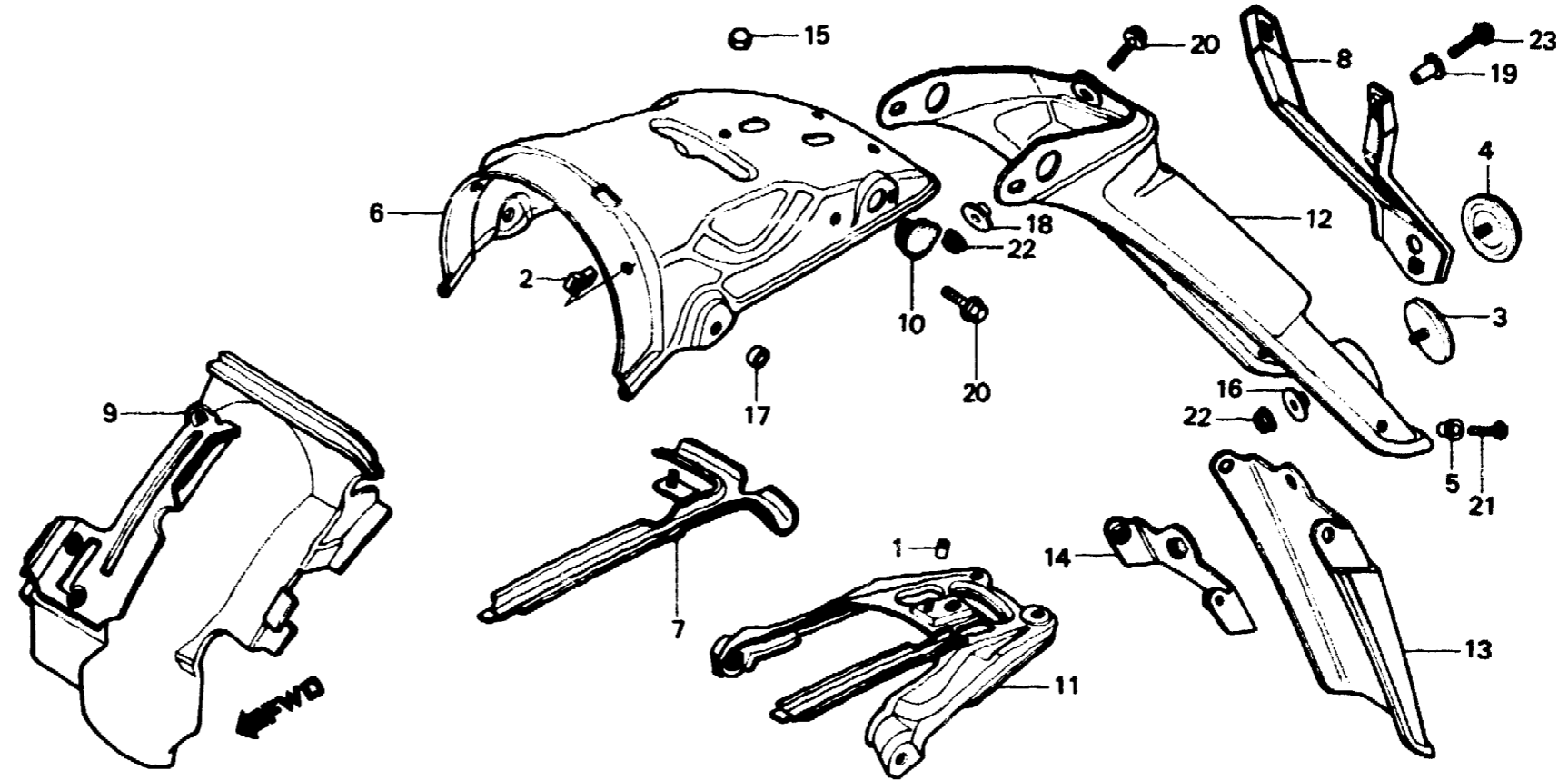
(XL250S, SA, SB-B, E, ED, F, F1, F2, G, G1, G2, SA, SD, SW)

### Hinterer Kotflügel

(XL250S, SA, SB-B, E, ED, F, F1, F2, G, G1, G2, SA, SD, SW)

### Parafango trasero

(XL250S, SA, SB-B, E, ED, F, F1, F2, G, G1, G2, SA, SD, SW)



B428-51A

Service item	F.R.T.	Ref. No.	Part No.	Description	Reqd. No. XL250				Serial No.	Area code
					S	Sz	SA	Sb		
		12	80200-428-610	FENDER C, RR.	1	1	1			B, ED, F, G, G1, G2, SD, SW E
		13	80201-428-640	MUDGUARD, RR. FENDER	1	1	1			F1, F2 ED, SD, SW
		14	80202-428-640	PATCH, RR. MUDGUARD	1	1	1			ED, SD, SW
		15	90201-415-000	NUT, CAP, 6MM	1	1	1			B, ED, F, F1, F2, G, G1, G2 SD, SW E
		16	90401-373-770	WASHER, 6X20	1	1				B, ED, F, F1, F2, G, G1, G2 SD, SW E
		17	90512-122-700	COLLAR, 9X12X4.5	1			2		F1, F2
		18	90512-300-000	WASHER, 6X20	3	3	3			B, ED, F, G, G1, G2, SD, SW E
		19	90563-045-000	WASHER, NUMBER BRACKET MOUNTING		3		2		F1, F2 F1, F2
		20	93481-06016-00	BOLT-WASHER, 6X16	3	3	3			B, ED, F, G, G1, G2, SD, SW E F1, F2

**2-F16**

**F-21-1**

**Rear fender**

(XL250S, SA, Sb-B, E, ED, F, F1, F2, G, G1, G2, SA, SD, SW)

**Garde-boue arrière**

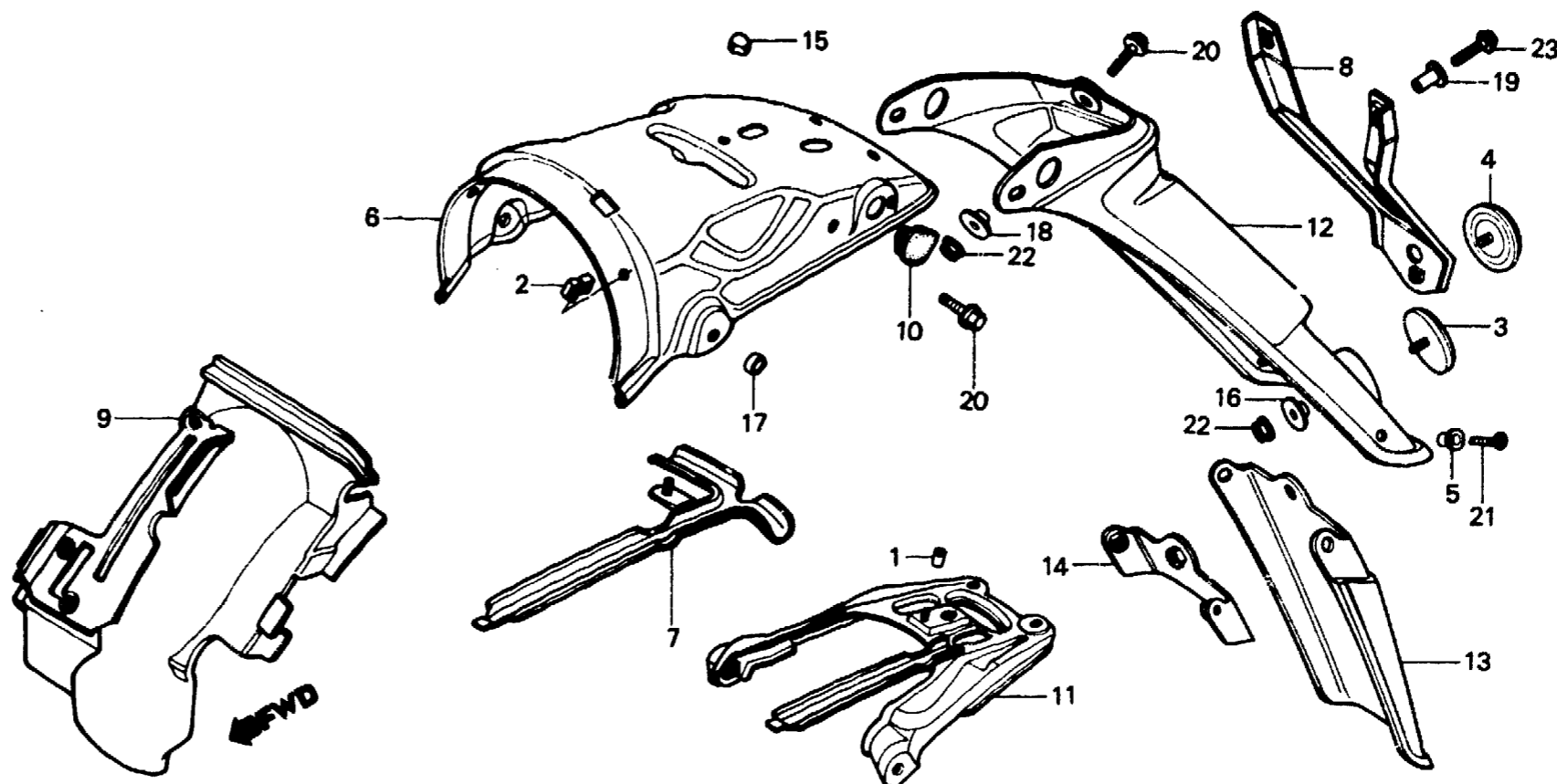
(XL250S, SA, Sb-B, E, ED, F, F1, F2, G, G1, G2, SA, SD, SW)

**Hinterer Kotflügel**

(XL250S, SA, Sb-B, E, ED, F, F1, F2, G, G1, G2, SA, SD, SW)

**Parafango trasero**

(XL250S, SA, Sb-B, E, ED, F, F1, F2, G, G1, G2, SA, SD, SW)



B428-51A

Service item	F.R.T.	Ref. No.	Part No.	Description	Reqd. No. XL250					Serial No.	Area code
					S	Sz	SA	Sb	Rc		
		21	93500-05016-0A	SCREW, PAN, 5X16	3		3	3			ED, SD, SW
		22	94050-06000	NUT, FLANGE, 6MM	4		4	4			B, ED, F, G, G1, G2, SD, E
		23	93481-06016-00	BOLT-WASHER, 6X16	4		4				F1, F2, SW
			95700-06016-00	BOLT, FLANGE, 6X16			3		2		B, ED, G1, G2, SD, SW, F1, F2

**2-G1**

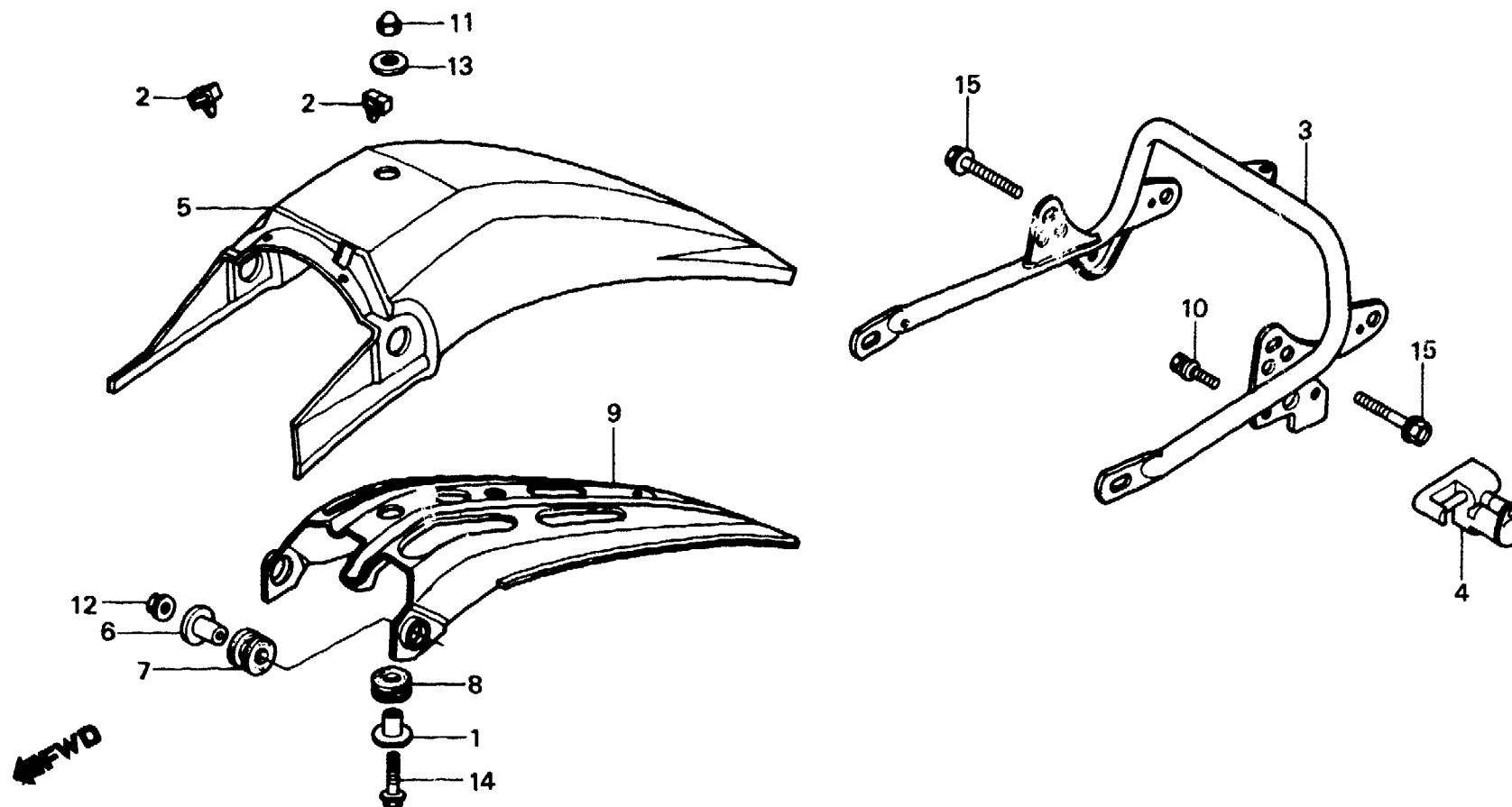
**F-21-2**

**Rear fender  
(XL250Rc-CM)**

**Garde-boue arrière  
(XL250Rc-CM)**

**Hinterer Kotflügel  
(XL250Rc-CM)**

**Parafango trasero  
(XL250Rc-CM)**



BMC4-16

Service item	F.R.T.	Ref. No.	Part No.	Description	Reqd. No.					Serial No.	Area code
					S	Sz	SA	Sb	Rc		
PIPE COMP., TAIL FENDER, RR.	0.3	1	19052-KA4-000	COLLAR, RADIATOR MOUNTING					1		CM
		2	32985-300-000	GROMMET, WIRE CORD					2		CM
PATCH, RR. FENDER HOLDER ASSY., HELMET	0.2	3	50311-MC4-670	PIPE COMP., TAIL					1		CM
		4	50710-382-671	HOLDER ASSY., HELMET					1		CM
		5	80100-KB7-670ZA	FENDER, RR. *R-110*					1		CM
		6	80101-KB7-000	COLLAR, 8X15					2		CM
		7	80102-KB7-000	RUBBER, MOUNTING					2		CM
		8	80105-028-000	CUSHION A, RR. FENDER					1		CM
		9	80110-KB7-000	PATCH, RR. FENDER					1		CM
		10	90107-428-000	BOLT B, SPECIAL, 6MM					2		CM
		11	90201-415-000	NUT, CAP, 6MM					1		CM
		12	94050-08000	NUT, FLANGE, 8MM					2		CM
		13	94101-06000	WASHER, PLAIN, 6MM					1		CM
		14	95700-06020-00	BOLT, FLANGE, 6X20					1		CM
		15	95700-08032-00	BOLT, FLANGE, 8X32					2		CM

**2-G2**

**F-21-3**

**Rear fender**

(XL250Rc-B,DK,DM,E,ED,F1,  
F2,G1,G2,IT,SA,SD,SW,U)

**Garde-boue arrière**

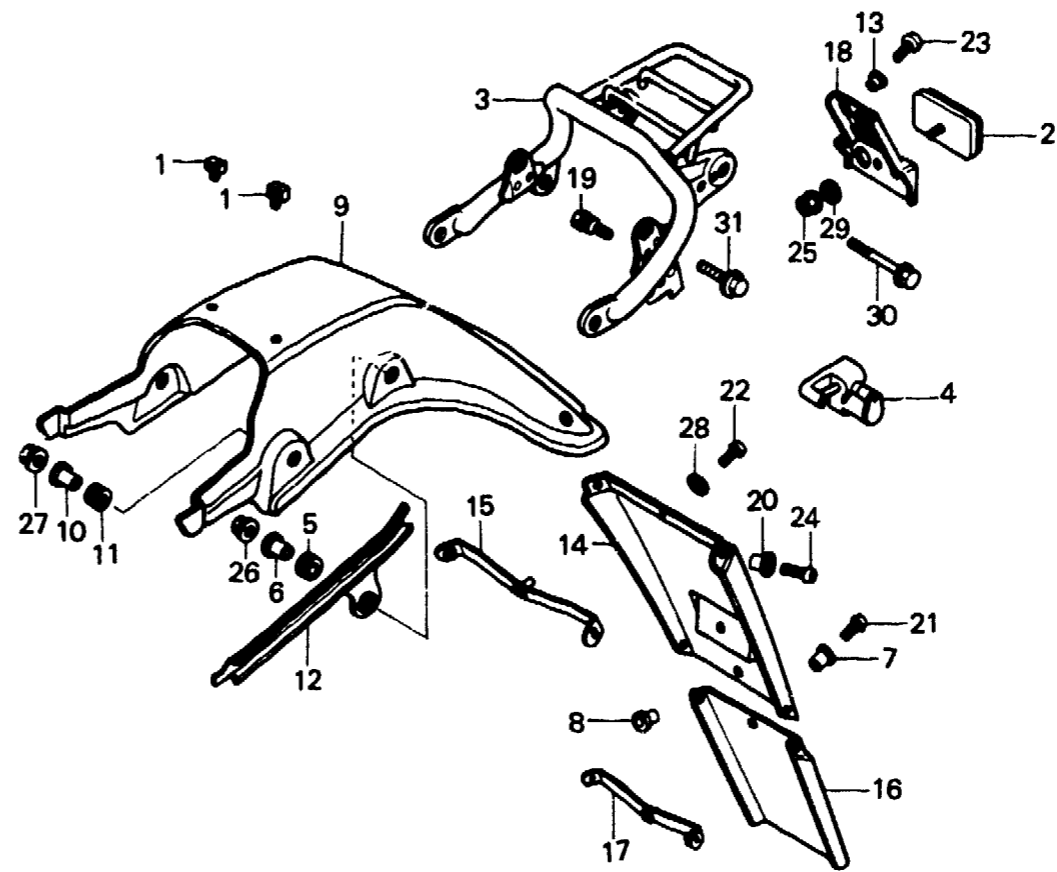
(XL250Rc-B,DK,DM,E,ED,F1,  
F2,G1,G2,IT,SA,SD,SW,U)

**Hinterer Kotflügel**

(XL250Rc-B,DK,DM,E,ED,F1,  
F2,G1,G2,IT,SA,SD,SW,U)

**Parafango trasero**

(XL250Rc-B,DK,DM,E,ED,F1,  
F2,G1,G2,IT,SA,SD,SW,U)



BMC4-27

Service item	F.R.T.	Ref. No.	Part No.	Description	Reqd. No.					Serial No.	Area code
					S	Sz	SA	Sb	Rc		
PIPE COMP., TAIL	0.3	1	32985-300-000	GROMMET, WIRE CORD					2		B,DK,DM,E,ED,F1,F2,G1 G2,IT,SA,SD,SW,U
FENDER, RR.		2	33741-MC7-611	REFLECTOR, REFLEX					1		B,DK,DM,E,ED,F1,F2,G1 G2,IT,SA,SD,SW,U
HOLDER ASSY., HELMET	0.2	4	50710-MC4-611	HOLDER ASSY., HELMET					1		B,DK,DM,E,ED,F1,F2,G1 ED,G1,G2,SD
MUDGUARD A, RR.	0.1	5	50710-382-671	HOLDER ASSY., HELMET					1		B,DK,DM,E,F1,F2,IT,SA SW,U
STAY, REFLECTOR		5	61103-430-000	RUBBER, FR. FENDER MOUNTING					2		B,DK,DM,E,ED,F1,F2,G1 G2,IT,SA,SD,SW,U
		6	61104-430-000	COLLAR, FENDER MOUNTING					2		B,DK,DM,E,ED,F1,F2,G1 G2,IT,SA,SD,SW,U
		7	61304-292-000	COLLAR, HEADLIGHT SETTING					3		ED,SD,SW
		8	64203-166-610	COLLAR, FAIRING STAY					1		ED,G1,G2,SD,SW
		9	801A0-KB7-600ZA	FENDER SET, RR. *R-110*					1		B,DK,DM,E,ED,F1,F2,G1 G2,IT,SA,SD,SW,U
			80100-KB7-600ZA	FENDER, RR. *NH-24*					1		B,DK,DM,E,ED,F1,F2,G1 G2,IT,SA,SD,SW,U

**2-G3**

**F-21-3**

**Rear fender**

(XL250Rc-B,DK,DM,E,ED,F1,  
F2,G1,G2,IT,SA,SD,SW,U)

**Garde-boue arrière**

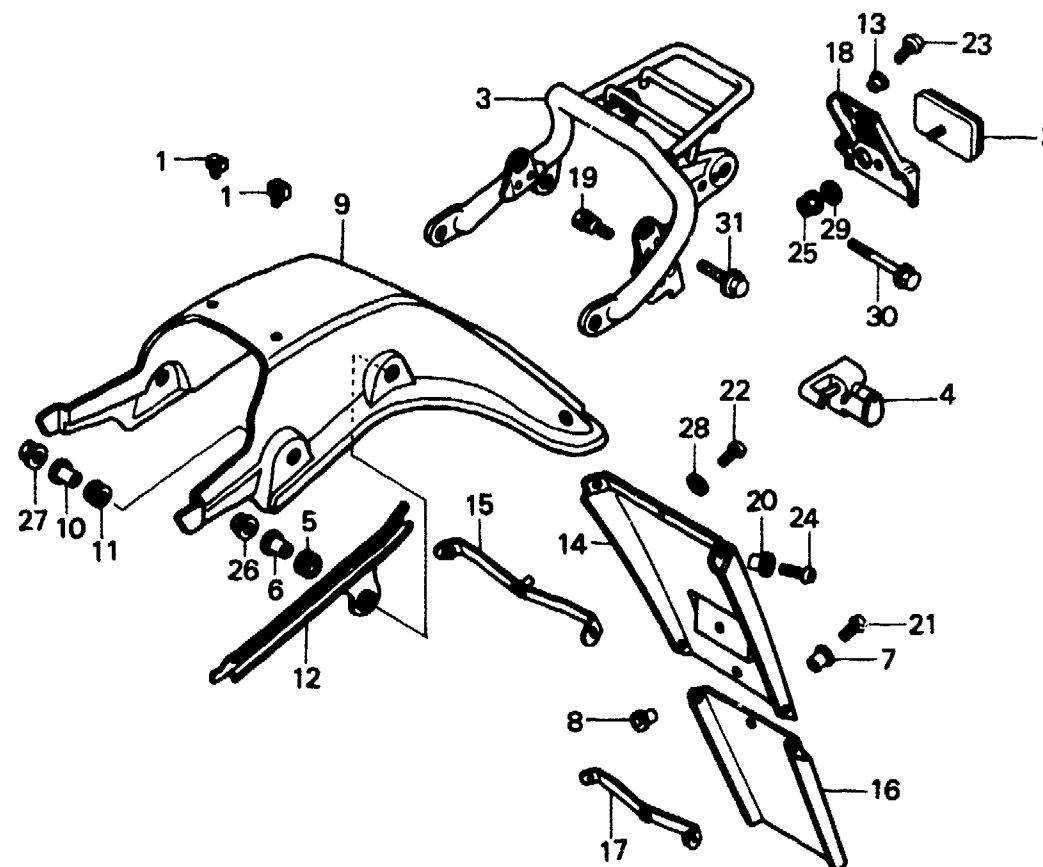
(XL250Rc-B,DK,DM,E,ED,F1,  
F2,G1,G2,IT,SA,SD,SW,U)

**Hinterer Kotflügel**

(XL250Rc-B,DK,DM,E,ED,F1,  
F2,G1,G2,IT,SA,SD,SW,U)

**Parafango trasero**

(XL250Rc-B,DK,DM,E,ED,F1,  
F2,G1,G2,IT,SA,SD,SW,U)



BMC4-27

Service item	F.R.T.	Ref. No.	Part No.	Description	Reqd. No.					Serial No.	Area code
					S	Sz	SA	Sb	Rc		
			80100-KB7-600ZB	FENDER, RR. *NH-104M-U*					1		B,DK,DM,E,ED,F1,F2,G1 G2,IT,SA,SD,SW,U
		10	80101-KB7-600	COLLAR, 8X12					2		B,DK,DM,E,ED,F1,F2,G1 G2,IT,SA,SD,SW,U
		11	80102-KB7-600	RUBBER, MOUNTING					2		B,DK,DM,E,ED,F1,F2,G1 G2,IT,SA,SD,SW,U
		12	80106-KB7-600	COVER, RR. FENDER WIRE HARNESS					1		B,DK,DM,E,ED,F1,F2,G1 G2,IT,SA,SD,SW,U
		13	80112-443-850	COLLAR					2		B,DK,DM,F1,F2,IT,U
		14	80200-KB7-610	MUDGUARD A, RR.					1		ED,G1,G2,SD,SW
		15	80201-KB7-610	PLATE A, RR. FENDER					1		ED,G1,G2,SD,SW
		16	80300-KB7-640	MUDGUARD B, RR.					1		ED,SD,SW
		17	80301-KB7-640	PLATE B, RR. FENDER					1		ED,SD,SW
		18	80400-KB7-620	STAY, REFLECTOR					1		B,DK,DM,F1,F2,IT,U
		19	90107-428-000	BOLT B, SPECIAL, 6MM					2		B,DK,DM,E,ED,F1,F2,G1 G2,IT,SA,SD,SW,U

**2-G4**

**F-21-3**

**Rear fender**

(XL250Rc-B,DK,DM,E,ED,F1,  
F2,G1,G2,IT,SA,SD,SW,U)

**Garde-boue arrière**

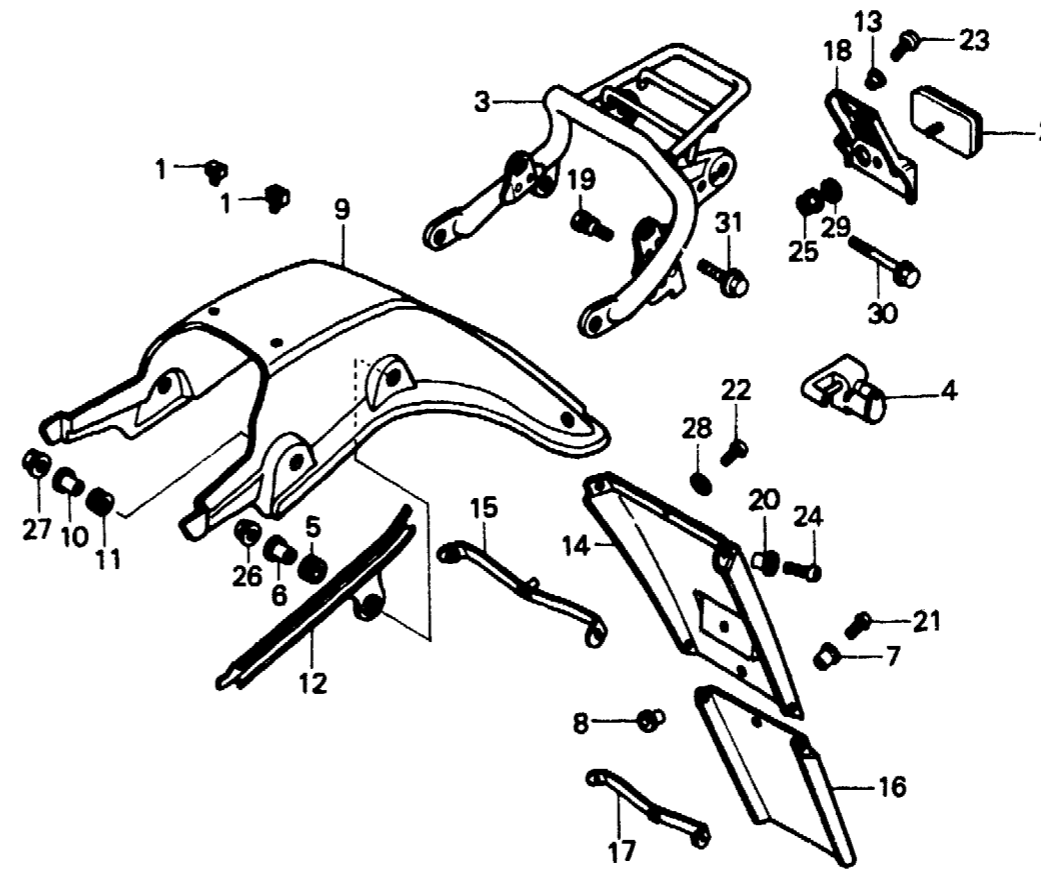
(XL250Rc-B,DK,DM,E,ED,F1,  
F2,G1,G2,IT,SA,SD,SW,U)

**Hinterer Kotflügel**

(XL250Rc-B,DK,DM,E,ED,F1,  
F2,G1,G2,IT,SA,SD,SW,U)

**Parafango trasero**

(XL250Rc-B,DK,DM,E,ED,F1,  
F2,G1,G2,IT,SA,SD,SW,U)



BMC4-27

Service item	F.R.T.	Ref. No.	Part No.	Description	Reqd. No.					Serial No.	Area code
					S	Sz	SA	Sb	Rc		
		20	90121-102-000	COLLAR B, AIR CLEANER CASE SETTING					2		ED,G1,G2,SD,SW
		21	93500-05016-0A	SCREW, PAN, 5X16					3		ED,SD,SW
		22	93500-06010	SCREW, PAN, 6X10					1		ED,G1,G2,SD,SW
		23	93500-06012	SCREW, PAN, 6X12					2		B,DK,DM,F1,F2,IT,U
		24	93500-06014	SCREW, PAN, 6X14					2		ED,G1,G2,SD,SW
		25	94050-05000	NUT, FLANGE, 5MM					1		B,DK,DM,E,ED,F1,F2,G1 G2,IT,SA,SD,SW,U
		26	94050-06000	NUT, FLANGE, 6MM					2		B,DK,DM,E,ED,F1,F2,G1 G2,IT,SA,SD,SW,U
		27	94050-08000	NUT, FLANGE, 8MM					2		B,DK,DM,E,ED,F1,F2,G1 G2,IT,SA,SD,SW,U
		28	94101-06000	WASHER, PLAIN, 6MM					1		ED,G1,G2,SD,SW
		29	94111-05000	WASHER, SPRING, 5MM					1		B,DK,DM,E,ED,F1,F2,G1 G2,IT,SA,SD,SW,U
		30	95700-06040-00	BOLT, FLANGE, 6X40					2		B,DK,DM,E,ED,F1,F2,IT SA,SD,SW,U

**2-G5**

**F-21-3**

**Rear fender**

(XL250Rc-B,DK,DM,E,ED,F1,  
F2,G1,G2,IT,SA,SD,SW,U)

**Garde-boue arrière**

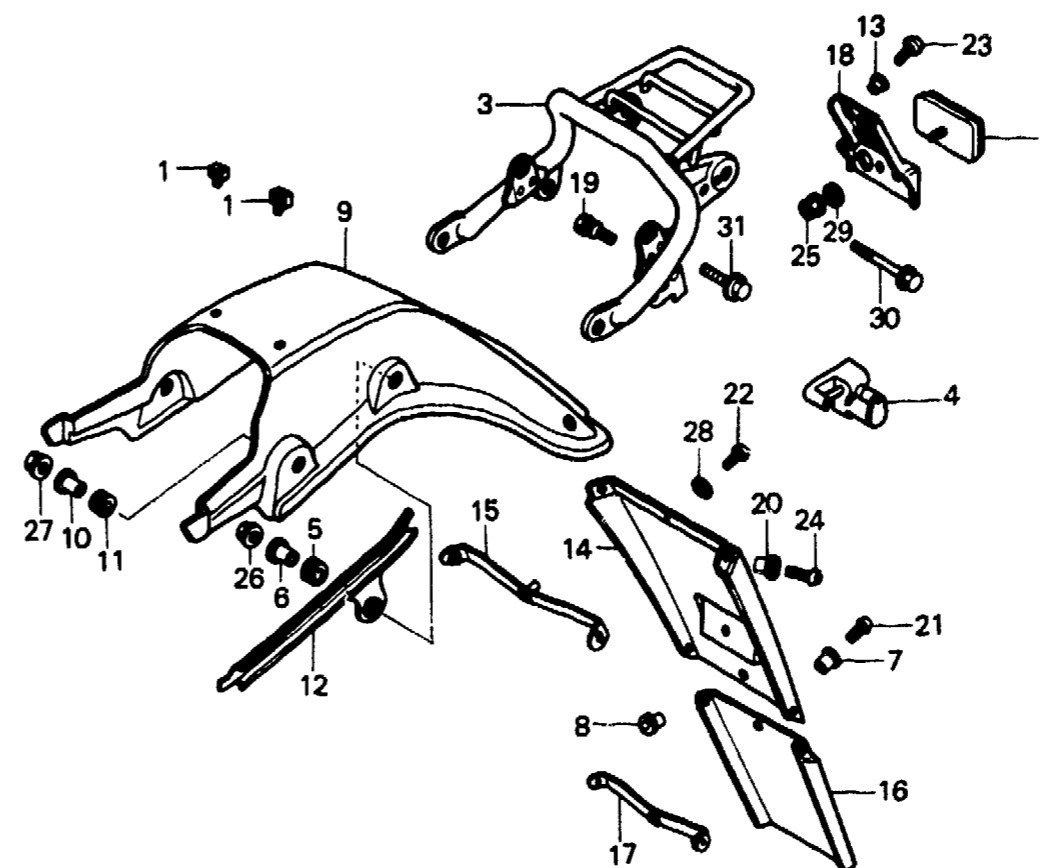
(XL250Rc-B,DK,DM,E,ED,F1,  
F2,G1,G2,IT,SA,SD,SW,U)

**Hinterer Kotflügel**

(XL250Rc-B,DK,DM,E,ED,F1,  
F2,G1,G2,IT,SA,SD,SW,U)

**Parafango trasero**

(XL250Rc-B,DK,DM,E,ED,F1,  
F2,G1,G2,IT,SA,SD,SW,U)



BMC4-27

Service item	F.R.T.	Ref. No.	Part No.	Description	Reqd. No.				Serial No.	Area code
					S	Sz	SA	Sb		
		31	95700-08032-00	BOLT, FLANGE, 8X32					2	B,DK,DM,E,ED,F1,F2,G1 G2,IT,SA,SD,SW,U

**2-G6**

**F-22**

**Winker**

(XL250S, Sz, SA, Sb-CM,  
DK, DM, E, F1, F2, SA, U)

**Clignotant**

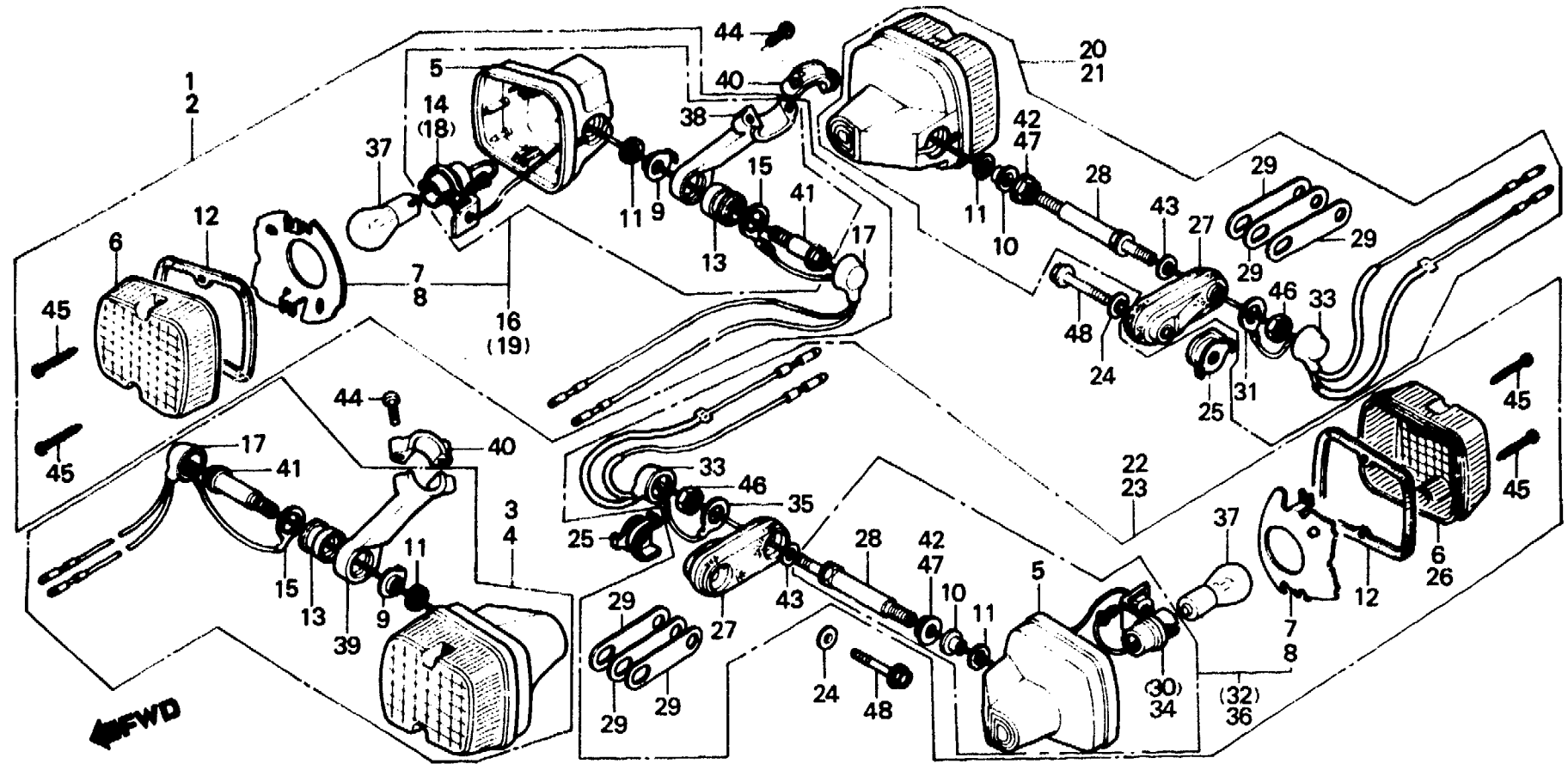
(XL250S, Sz, SA, Sb-CM,  
DK, DM, E, F1, F2, SA, U)

**Blinker**

(XL250S, Sz, SA, Sb-CM,  
DK, DM, E, F1, F2, SA, U)

**Luz intermitente**

(XL250S, Sz, SA, Sb-CM,  
DK, DM, E, F1, F2, SA, U)



B435-24

Service item	F.R.T.	Ref. No.	Part No.	Description	Reqd. No. XL250					Serial No.	Area code
					S	Sz	SA	Sb	Rc		
WINKER SET (ADD 0.1 FOR EACH.) INC. RELATIVE PART BULB, WINKER	0.2	1	33300-428-003	WINKER SET, R. FR.	1						DK, DM, SA, U
	0.1	2	33300-435-000	WINKER SET, R. FR.			1	1			DK, DM, SA, U
(WHEN SERVICING COMP., UNIT, F.R.T. IS 0.2.)			33300-435-600	WINKER SET, R. FR.			1	1			B, E, F1, F2
			33300-428-672	WINKER SET, R. FR.	1	1	1				CM
			33300-435-670	WINKER SET, R. FR.					1		CM
		3	33350-428-003	WINKER SET, L. FR.	1						DK, DM, SA, U
			33350-435-000	WINKER SET, L. FR.				1	1		DK, DM, SA, U
			33350-435-600	WINKER SET, L. FR.				1	1		B, E, F1, F2
		4	33350-428-672	WINKER SET, L. FR.	1	1	1				CM
			33350-435-670	WINKER SET, L. FR.					1		CM
		5	33401-428-003	BASE, WINKER	4	4	4	4			CM, DK, DM, SA, U