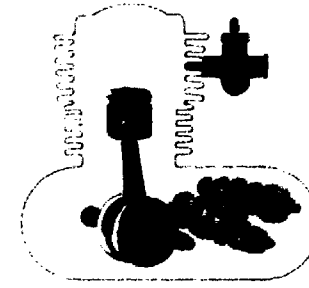
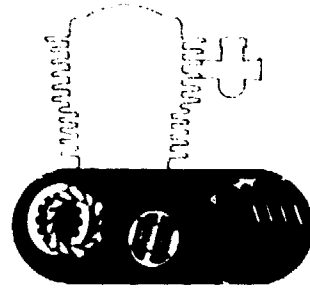


BLOCK INDEX - ENGINE GROUP



E- 1	Cylinder head cover	C 2
E- 2	Cylinder - Cylinder head.....	C 5
E- 3	Camshaft - Valve	C 11
E- 4	Cam chain - Tensioner	C 15

E- 5	Right crankcase cover	D 1
E- 6	Clutch - Spark advancer	D 4
E- 7	Oil pump	D 8
E- 8	Left crankcase cover - Generator.....	D 10
E- 9	Crankcase	D 16

E-10	Piston - Crankshaft	E 2
E-11	Balancer	E 6
E-12	Transmission.....	E 11
E-13	Gearshift drum	F 3
E-14	Kick starter spindle	F 10
E-15	Carburetor	F 13

C 2

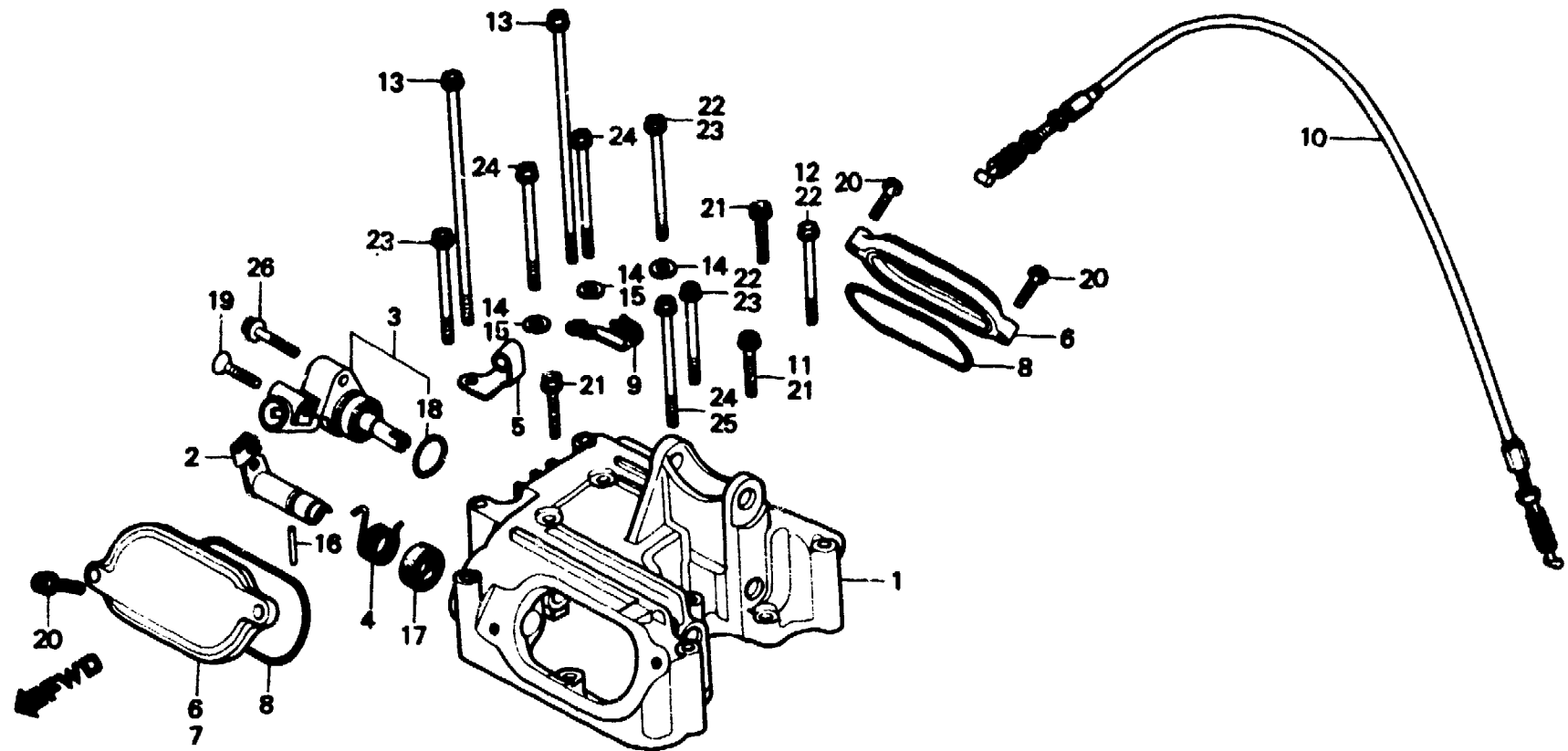
E-1

Cylinder head cover

Couvercle de culasse

Zylinderkopfdeckel

Cubierta de culata



B428-1B

Service item	F.R.T.	Ref. No.	Part No.	Description	Reqd. No.					Serial No.	Area code
					S	Sz	SA	Se	Rc		
COVER, CYLINDER HEAD	1.5	1	12310-428-000	COVER, CYLINDER HEAD	1					5017072	
LIFTER COMP., VALVE	0.7		12310-428-305	COVER, CYLINDER HEAD		1				5103218	
COVER, TAPPET ADJUSTING HOLE	0.1		12310-428-020	COVER, CYLINDER HEAD			1				B,DK,DM,E,ED,F1,F2,G1 G2,SA,SD,SW,U
CABLE COMP., DECOMPRESSION	0.2		12310-428-305	COVER, CYLINDER HEAD	1					5017073	
OIL SEAL, 17X27X5	0.8		12310-428-305	COVER, CYLINDER HEAD			1			5103219	
			12310-428-32	COVER, CYLINDER HEAD				1			CM
			12310-428-680	COVER, CYLINDER HEAD				1			CM B,DK,DM,E,ED,F1,F2,G1 G2,SA,SD,SW,U
			12310-KA6-670	COVER, CYLINDER HEAD					1		CM
			12310-471-640	COVER, CYLINDER HEAD					1		B,DK,DM,E,ED,F1,F2,G1 G2,IT,SA,SD,SW,U
		2	12319-428-000	LIFTER COMP., VALVE	1	1	1	1	1		
		3	12320-428-680	CASE ASSY., TACHOMETER GEAR					1		B,DK,DM,E,ED,F1,F2,G1 G2,SA,SD,SW,U
			12320-KB7-000	CASE ASSY., TACHOMETER GEAR					1		B,DK,DM,E,ED,F1,F2,G1 G2,IT,SA,SD,SW,U
		4	12321-428-000	SPRING, VALVE LIFT	1	1	1	1	1		
		5	12323-428-000	RECEIVER, DECOMPRESSION	1	1	1	1	1		

1982.01.10

E

C2

C 3

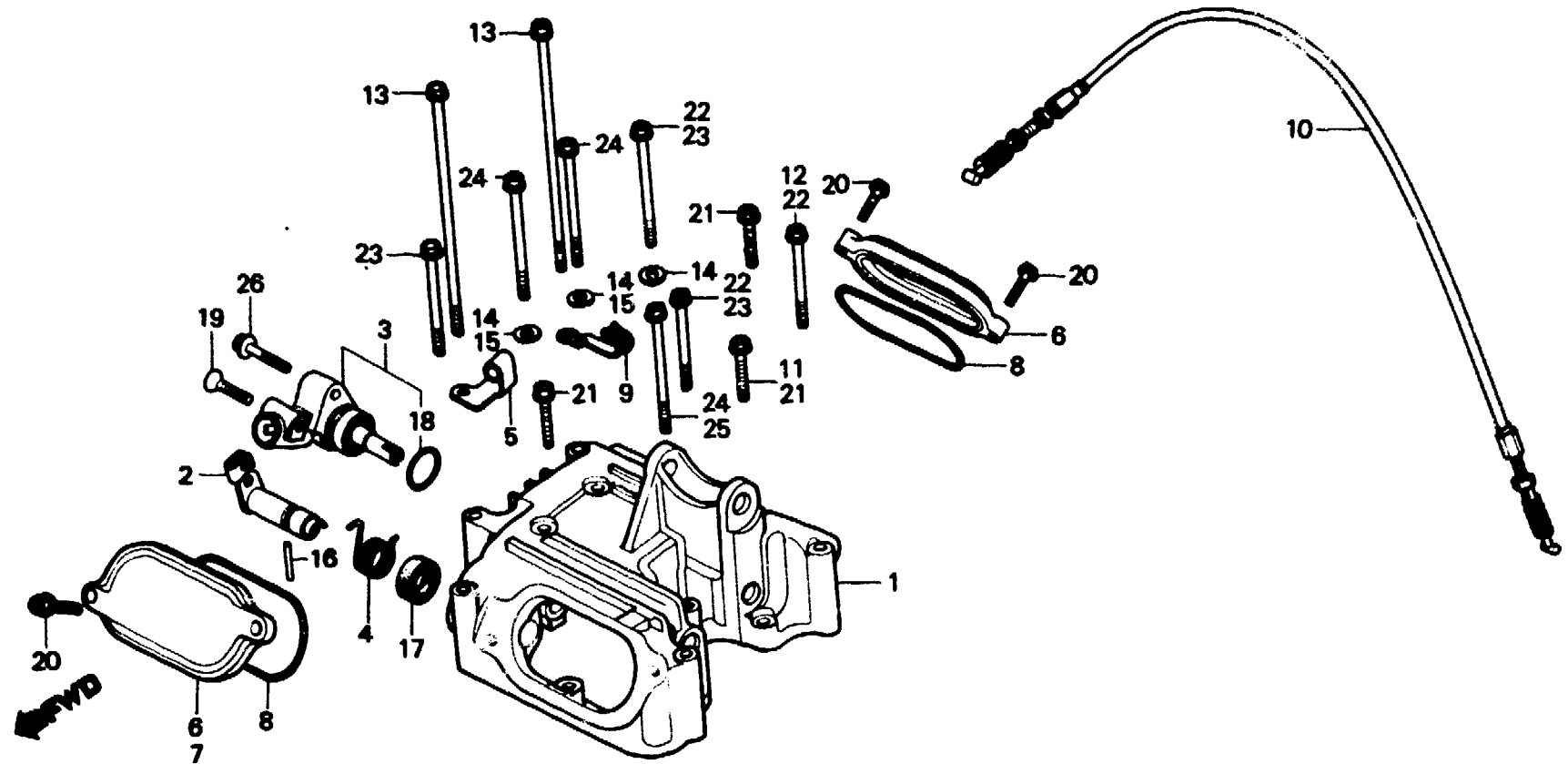
E-1

Cylinder head cover

Couvercle de culasse

Zylinderkopfdeckel

Cubierta de culata



B428-1B

Service item	F.R.T.	Ref. No.	Part No.	Description	Reqd. No. XL250					Serial No.	Area code
					S	Sz	SA	Ss	Rc		
		6	12351-428-000	COVER, TAPPET ADJUSTING HOLE	2	2		2	1		
		7	12351-471-000	COVER, TAPPET ADJUSTING HOLE					1		
		8	12392-428-000	PACKING, TAPPET COVER	2	2	2	2	2		
		9	22825-428-000	CLAMPER, CLUTCH WIRE	1	1	1	1			
			22825-429-000	CLAMPER, CLUTCH WIRE					1		
		10	28291-428-000	CABLE COMP., DECOMPRESSION	1	1	1	1			
			28291-K87-000	CABLE COMP., DECOMPRESSION					1		
		11	90025-KA6-670	BOLT, FLANGE, 7X30					1		
		12	90026-KA6-670	BOLT, FLANGE, 7X30					1		
		13	90048-329-000	BOLT, FLANGE, 6X131	2	2	2	2	2		
		14	90441-706-000	WASHER, SEALING, 6MM					3		
		15	90442-397-000	WASHER, SEALING, 6MM	2	2	2	2			
		16	91101-428-000	PIN, DOWEL, 5X28	1	1	1	1	1		
		17	91201-428-005	OIL SEAL, 17X27X5	1	1	1	1	1		

C 4

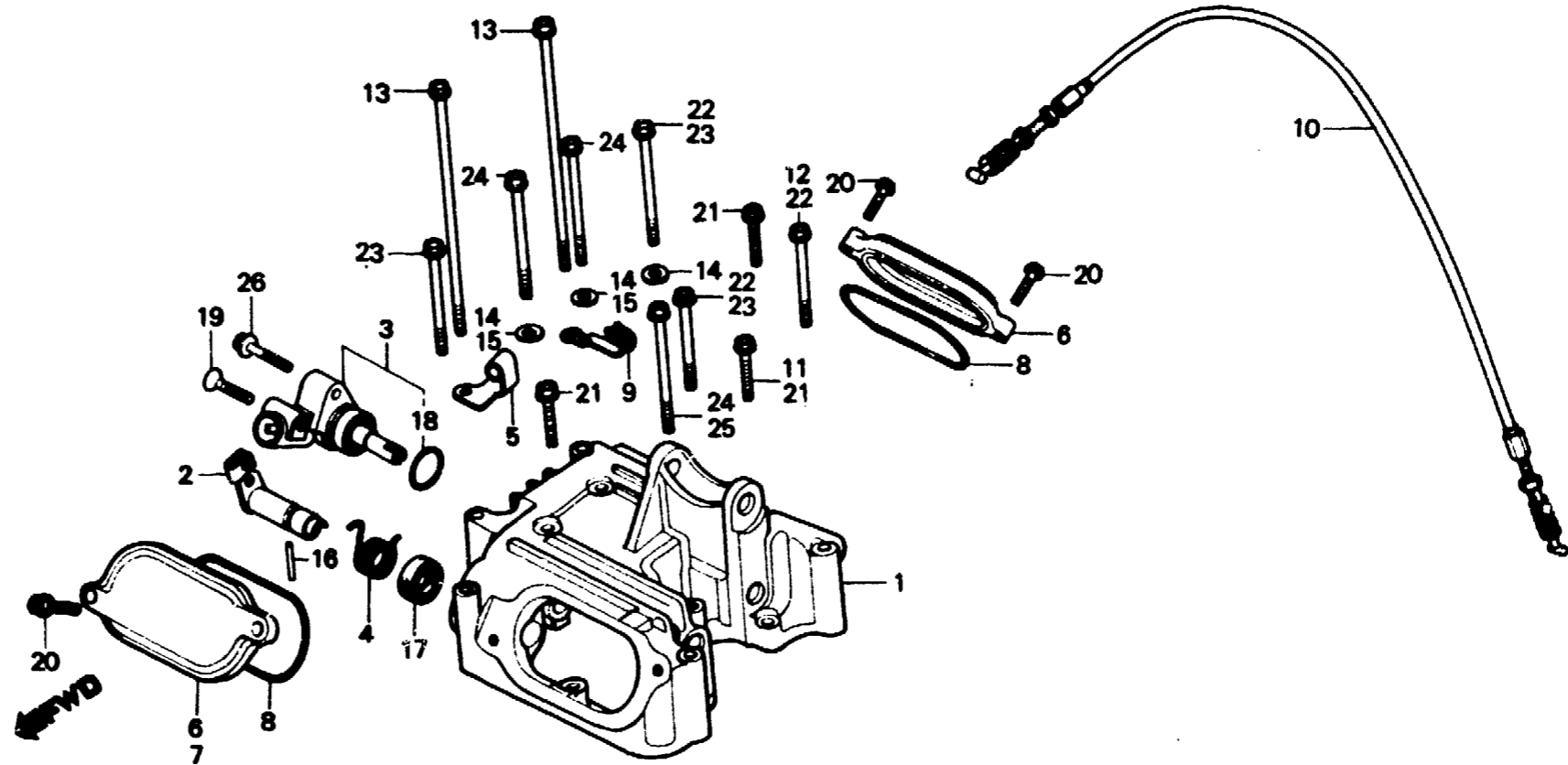
E-1

Cylinder head cover

Couvercle de culasse

Zylinderkopfdeckel

Cubierta de culata



B428-1B

Service item	F.R.T.	Ref. No.	Part No.	Description	Reqd. No. XL250					Serial No.	Area code	
					S	Sz	SA	Sa	Rc			
		18	91333-422-003	O-RING, 17.8X2.4					1	1		B,DK,DM,E,ED,F1,F2,G1 G2,IT,SA,SD,SW,U
		19	93700-06022	SCREW, DVAL, 6X22					1	1		B,DK,DM,E,ED,F1,F2,G1 G2,IT,SA,SD,SW,U
		20	95700-06020-00	BOLT, FLANGE, 6X20	4	4	4	4	4			
		21	95700-06025-00	BOLT, FLANGE, 6X25	3	3	3	3	3			
		22	95700-06045-00	BOLT, FLANGE, 6X45	3	3	3	3	1			
		23	95700-06050-00	BOLT, FLANGE, 6X50	1	1	1	1	3			
		24	95700-06060-00	BOLT, FLANGE, 6X60	3						5017341	
					2						5017342	
						3						5103398
						2						5103399
							2	2				
		25	95700-06080-00	BOLT, FLANGE, 6X80						2		
			95718-06065-00	BOLT, FLANGE, 6X65	1						5017342	
						1					5103399	
							1	1				
		26	96000-06025-00	BOLT, FLANGE, 6X25					1	1		B,DK,DM,E,ED,F1,F2,G1 G2,IT,SA,SD,SW,U

1982.01.10

E

C4

C 5

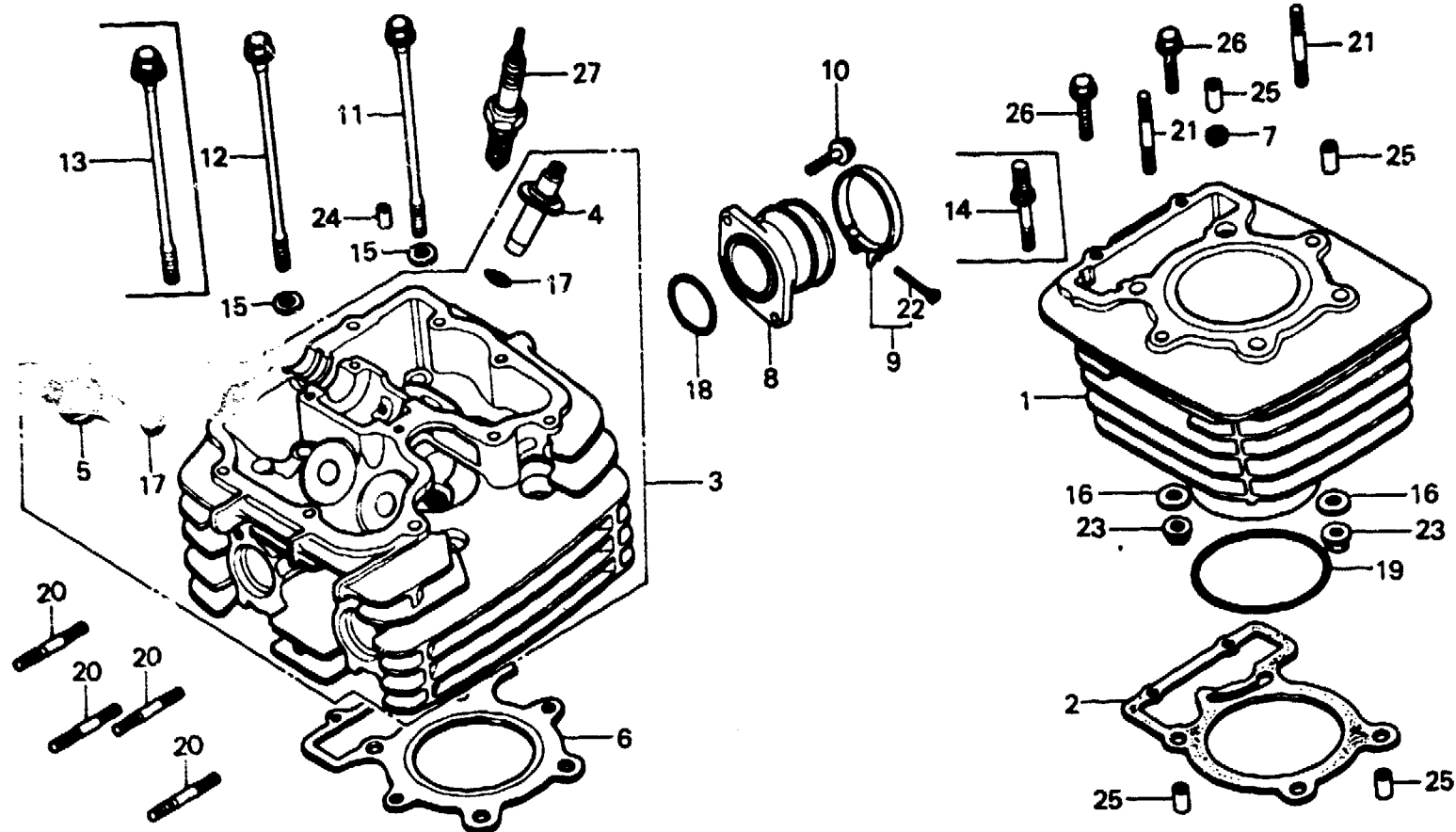
E-2

Cylinder • Cylinder head

Cylindre • Culasse

Zylinder • Zylinderkopf

Cilindro • Culata



B428-2B

Service item	F.R.T.	Ref. No.	Part No.	Description	Reqd. No. XL250					Serial No.	Area code
					S	Sz	SA	Sb	Rc		
CYLINDER COMP.	1.7	1	12100-428-780	CYLINDER COMP.							F2
GASKET, CYLINDER			12100-471-000	CYLINDER COMP.							B,CM,DK,DM,E,ED,F1,G1
HEAD COMP., CYLINDER	2.8										G2,IT,SA,SD,SW,U
GUIDE, VALVE	1.9		12100-471-620	CYLINDER COMP.							F2
(INC. REAMING)			12100-428-010	CYLINDER COMP.	1	1	1	1			B,CM,DK,DM,E,ED,F,F1
(ADD 0.2 FOR EACH.)											G,G1,G2,SA,SD,SW,U
(EXC. VALVE REFACING)		2	12191-428-010	GASKET, CYLINDER	1	1	1				
(ADD MORE 0.2 IF PERFORMED.)			12191-471-000	GASKET, CYLINDER							
GASKET, CYLINDER HEAD	1.5	3	12200-428-000	HEAD COMP., CYLINDER	1					5017072	
INSULATOR, CARBURETOR	0.5		12200-428-305	HEAD COMP., CYLINDER	1	1				5103218	
BOLT, STUD, 8MM	1.6				1					5017073	
BOLT, STUD, 8X45										5103219	
(ADD 0.1 FOR EACH.)											
BOLT, STUD, 6X35	0.2		12200-428-030	HEAD COMP., CYLINDER							B,DK,DM,E,ED,F1,F2,G1
(ADD 0.1 FOR EACH.)			12200-428-325	HEAD COMP., CYLINDER							G2,SA,SD,SW,U
			12200-KA6-670	HEAD COMP., CYLINDER							CM
		4	12231-428-305	GUIDE, IN. VALVE	2	2	2	2	2		



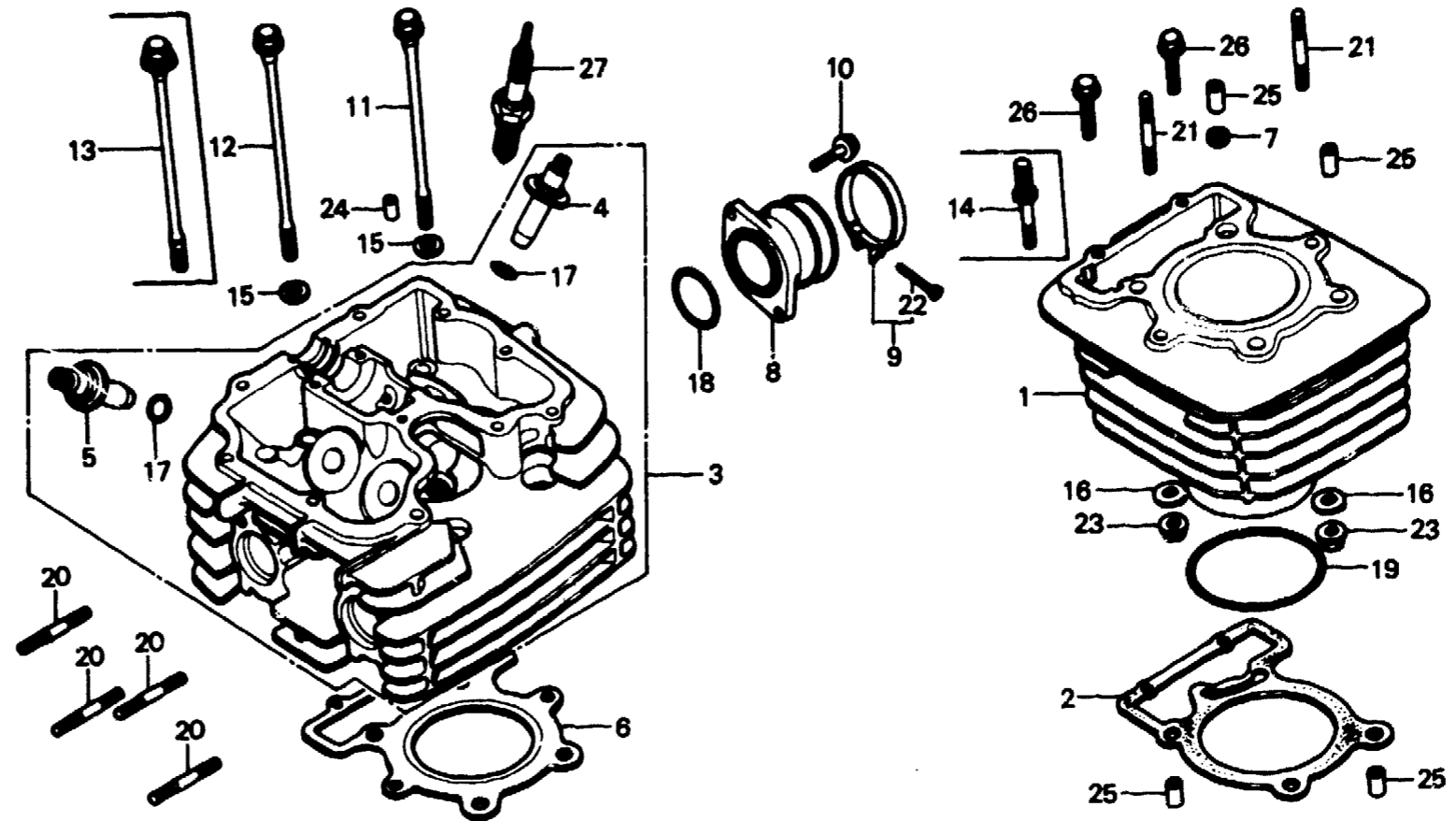
E-2

Cylinder • Cylinder head

Cylindre • Culasse

Zylinder • Zylinderkopf

Cilindro • Culata



B428-2B

Service item	F.R.T.	Ref. No.	Part No.	Description	Reqd. No.					Serial No.	Area code	
					S	Sz	SA	SA	Rc			
		5	12241-428-305	GUIDE, EX. VALVE	2	2					5204580	B,DK,DM,E,ED,F1,G2,SA SW,U
											5206769	CM
											6000200	G1
			12241-471-305	GUIDE, EX. VALVE						5204581		B,DK,DM,E,ED,F1,G2,SA SW,U
											5206770	CM
											6000201	G1
							2					F2,SD
								2	2			B,CM,DK,DM,E,ED,F1,G1
		6	12251-428-010	GASKET, CYLINDER HEAD	1	1	1					
			12251-471-013	GASKET, CYLINDER HEAD (ARAI)					1			B,DK,DM,E,ED,F1,F2,G1 G2,SA,SD,SW,U
			12251-KB7-003	GASKET, CYLINDER HEAD (ARAI)								
		7	12909-428-003	GASKET, CYLINDER STUD (ARAI)	1	1	1	1	1			

1982.01.10

E

C6

C 7

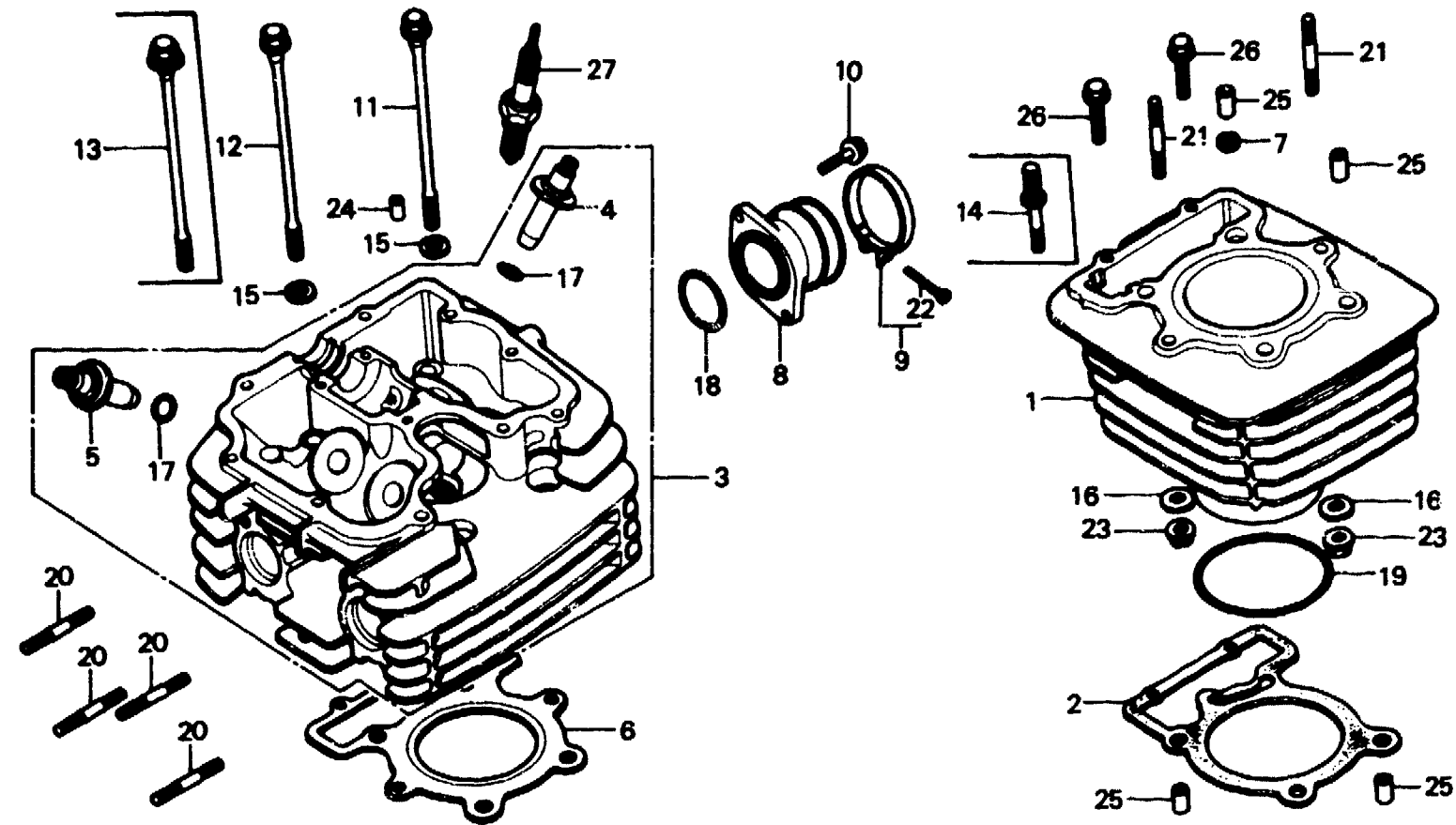
E-2

Cylinder • Cylinder head

Cylindre • Culasse

Zylinder • Zylinderkopf

Cilindro • Culata



B428-2B

Service item	F.R.T.	Ref. No.	Part No.	Description	Reqd. No. XL250					Serial No.	Area code
					S	Sz	SA	SA	Rc		
		8	16211-428-000	INSULATOR, CARBURETOR	1	1	1	1			
			16211-KB7-000	INSULATOR, CARBURETOR							1
		9	17255-329-000	BAND A, AIR CLEANER CONNECTING TUBE	1	1	1	1	1		
		10	90011-393-000	BOLT, SPECIAL, 6X20	2					5017072	
						2				5103218	
			90008-413-000	BOLT, FLANGE, 6X18	2					5017073	
			96000-06018-00	96000-06018-00	2	2	2	2	2	5103219	
			96000-06018-00	BOLT, FLANGE, 6X18	2	2	2	2	2		
		11	90081-428-000	BOLT, CYLINDER, 132	2	2	2				
			90081-471-000	BOLT, CYLINDER, 132				2	2		
		12	90083-428-000	BOLT, CYLINDER, 150	2					5017341	
					1					5017342	
						2				5103398	
						1				5103399	
			90083-471-000	BOLT, CYLINDER, 150			1				
		13	90085-428-000	BOLT, CYLINDER, 150	1			2	2	5017342	
						1				5103399	
							1				

1982.01.10

E

C7



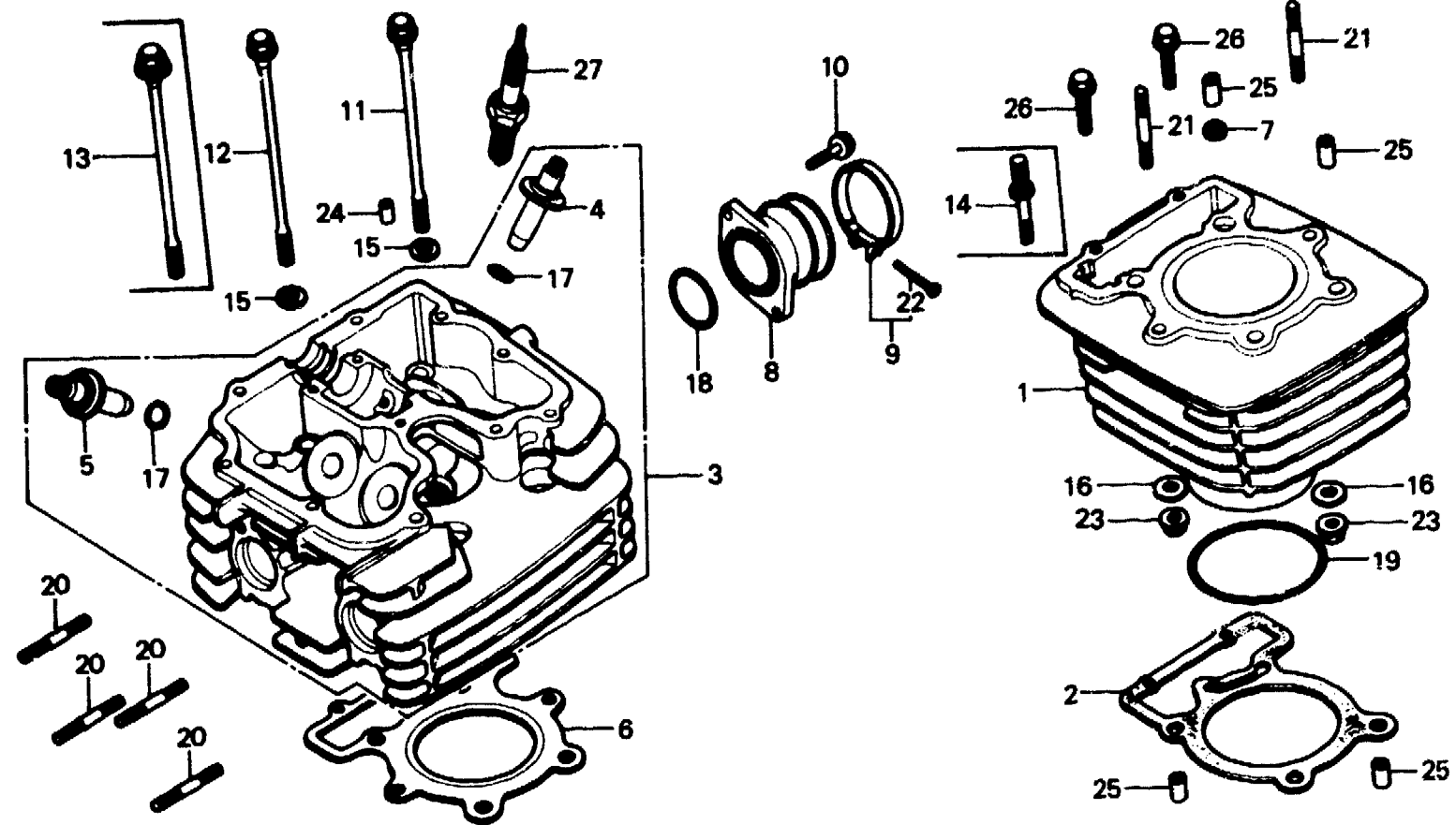
E-2

Cylinder - Cylinder head

Cylindre - Culasse

Zylinder - Zylinderkopf

Cilindro - Culata



B428-2B

Service item	F.R.T.	Ref. No.	Part No.	Description	Reqd. No.					Serial No.	Area code	
					S	Sz	SA	S _B	Rc			
		14	90087-429-000	BOLT, STUD, 8MM					1	1		
		15	90403-428-000	WASHER, SEALING, 10MM	4							5017340
			90403-428-000	WASHER, SEALING, 10MM	3							5017341
						4						5103397
						3						5103398
			90422-567-000	WASHER A, SPECIAL, 10MM				3	4			
		16	90524-030-000	WASHER A, HANDLE HOLDER	2							5016392
				SETTING		2						5103219
							2	2	2			
		17	91301-200-000	O-RING, 10X1.6	4	4	4	4	4			
		18	91302-216-000	O-RING, 35.5X3	1	1	1	1				
			91301-428-003	O-RING, 35.5X3								
		19	91302-428-000	O-RING, 78.3X2	1	1	1	1	1			
		20	92700-06035	BOLT, STUD, 6X35	4	4	4	4				
			92700-06035-0E	BOLT, STUD, 6X35								
		21	92700-08045-1B	BOLT, STUD, 8X45	2							5016391
						2						5103218



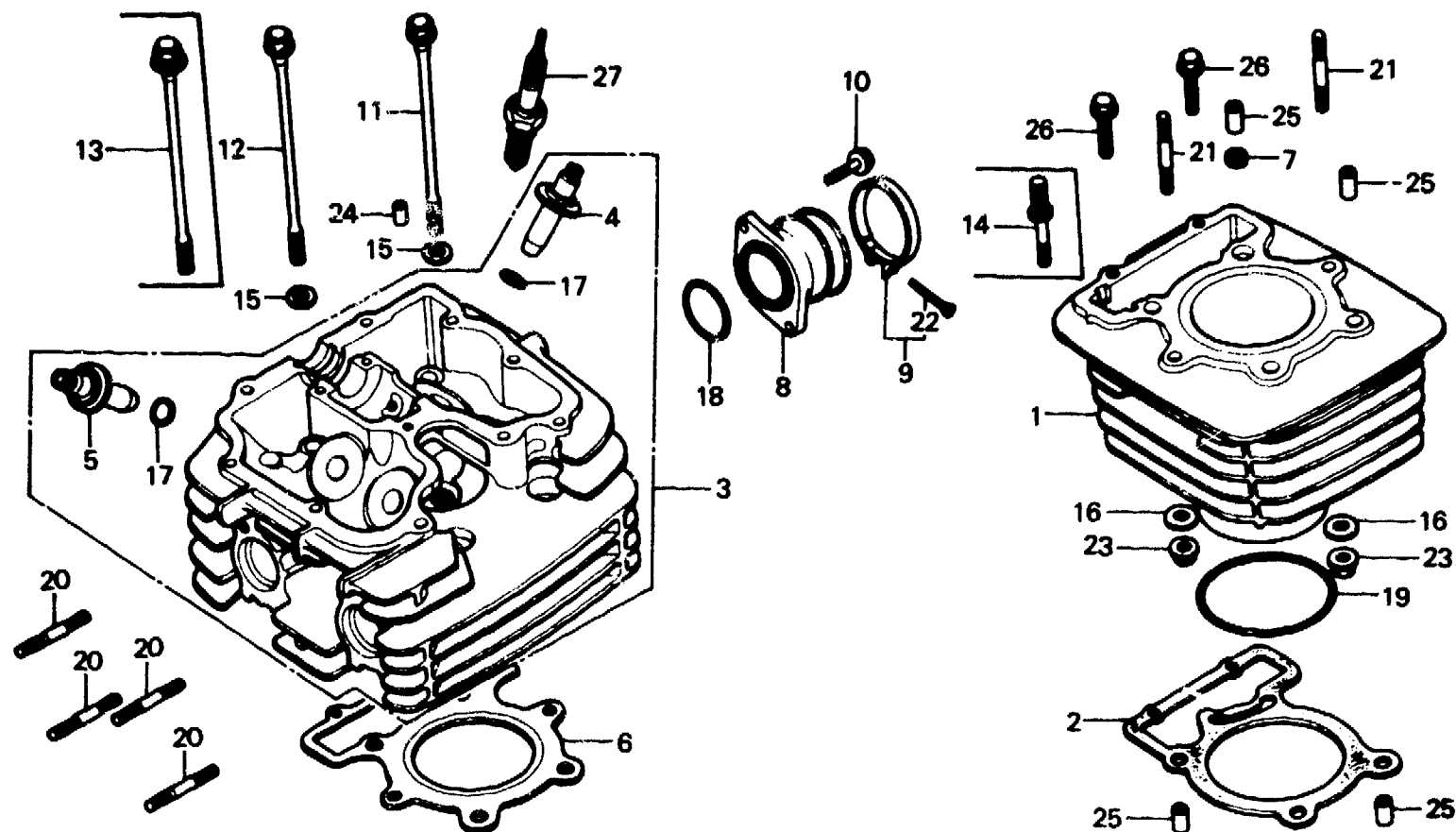
E-2

Cylinder • Cylinder head

Cylindre • Culasse

Zylinder • Zylinderkopf

Cilindro • Culata



B428-2B

Service item	F.R.T.	Ref. No.	Part No.	Description	Reqd. No. XL250					Serial No.	Area code
					S	Sz	SA	Se	Rc		
			90003-428-000	BOLT, STUD, 8X49	2					5016392 5103219	
		22	93500-05025-0G	SCREW, PAN, 5X25	1	1	1	1	1		
		23	94050-08000	NUT, FLANGE, 8MM	2					5016391 5103218	
			94071-08080	NUT-WASHER, 8MM	2					5016392 5103219	
		24	94301-08140	PIN A, DOWEL, 8X14	2	2	2	2	2		
		25	94301-12200	PIN A, DOWEL, 12X20	5	5	5	5	5		
		26	95700-06025-00	BOLT, FLANGE, 6X25	2	2	2	2	2		
		27	98069-58717	PLUG, SPARK (D8EA NGK)	1		1	1	1		DK,DM,U
			98069-58727	PLUG, SPARK (X24ES-U ND)	1		1	1	1		DK,DM,U
			98069-38716	PLUG, SPARK (DR8ES-L NGK)	1	1	1	1	1		B,CM,E,ED,F,F1,F2,G
			98069-57716	PLUG, SPARK (DR7ES NGK)	(1)	(1)	(1)	(1)	(1)		G1,G2,IT,SA,SD,SW
			98069-57717	PLUG, SPARK (D7EA NGK)	(1)		(1)		(1)		B,CM,E,ED,F,F1,F2,G
											G1,G2,IT,SA,SD,SW
											DK,DM,U

C 10

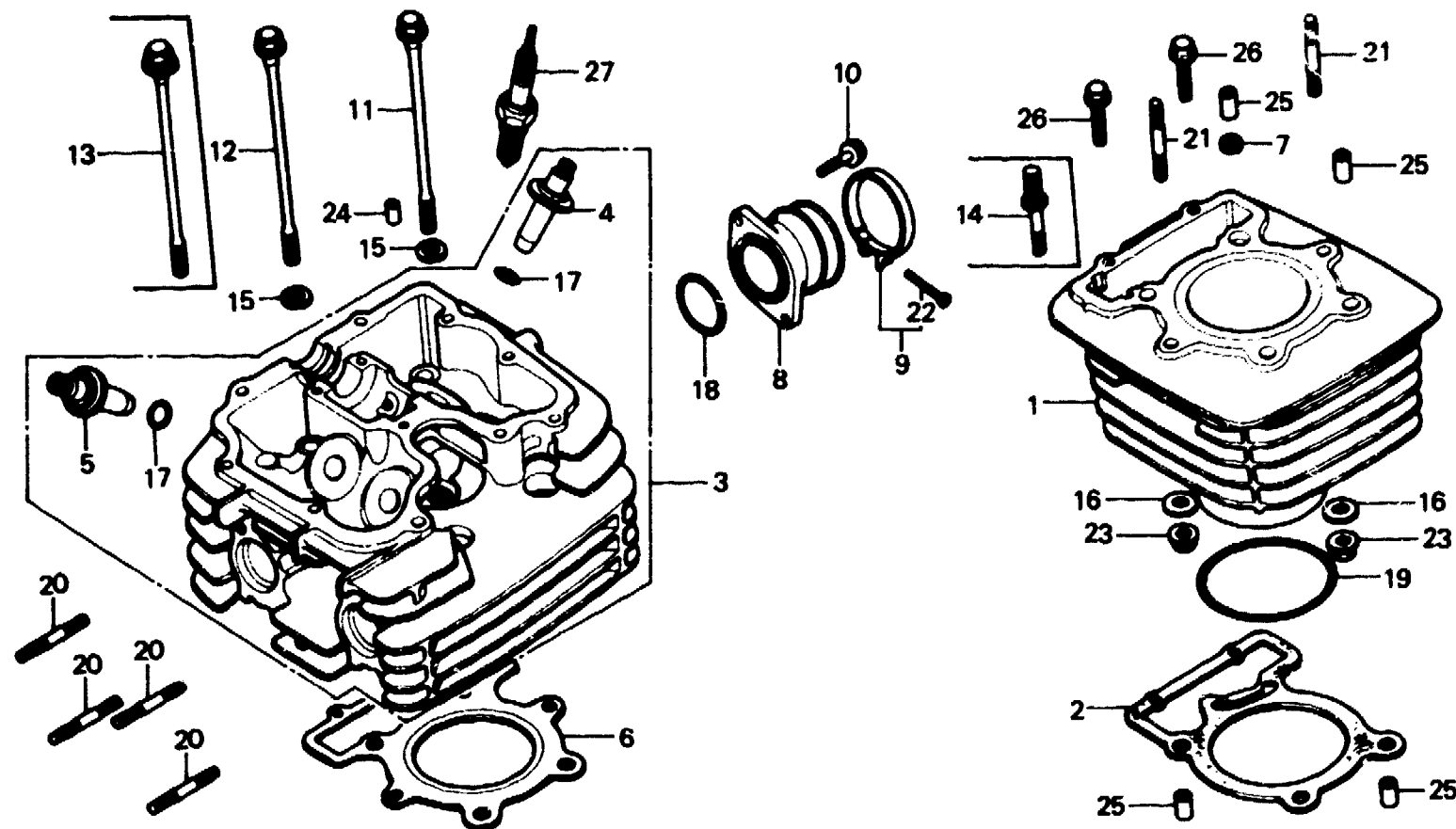
E-2

Cylinder • Cylinder head

Cylindre • Culasse

Zylinder • Zylinderkopf

Cilindro • Culata



B428-2B

Service item	F.R.T.	Ref. No.	Part No.	Description	Reqd. No. XL250					Serial No.	Area code
					S	Sz	SA	Se	Rc		
			98069-57726	PLUG, SPARK (X22ESR-U ND)	(1)	(1)	(1)	(1)	(1)		B,CM,E,ED,F,F1,F2,G G1,G2,IT,SA,SD,SW DK,DM,U
			98069-57727	PLUG, SPARK (X22ES-U ND)	(1)		(1)		(1)		DK,DM,U
			98069-58716	PLUG, SPARK (DR8ES NGK)	(1)	(1)	(1)	(1)	(1)		B,CM,E,ED,F,F1,F2,G G1,G2,IT,SA,SD,SW
			98069-58726	PLUG, SPARK (X24ESR-U ND)	1	1	1	1	1		B,CM,E,ED,F,F1,F2,G G1,G2,IT,SA,SD,SW
			98069-59717	PLUG, SPARK (D9EA NGK)	(1)		(1)		(1)		DK,DM,U
			98069-59726	PLUG, SPARK (X27ESR-U ND)	(1)	(1)	(1)	(1)	(1)		B,CM,E,ED,F,F1,F2,G G1,G2,IT,SA,SD,SW
			98069-59727	PLUG, SPARK (X27ES-U ND)	(1)		(1)		(1)		DK,DM,U

1982.01.10

E

C10

C 11

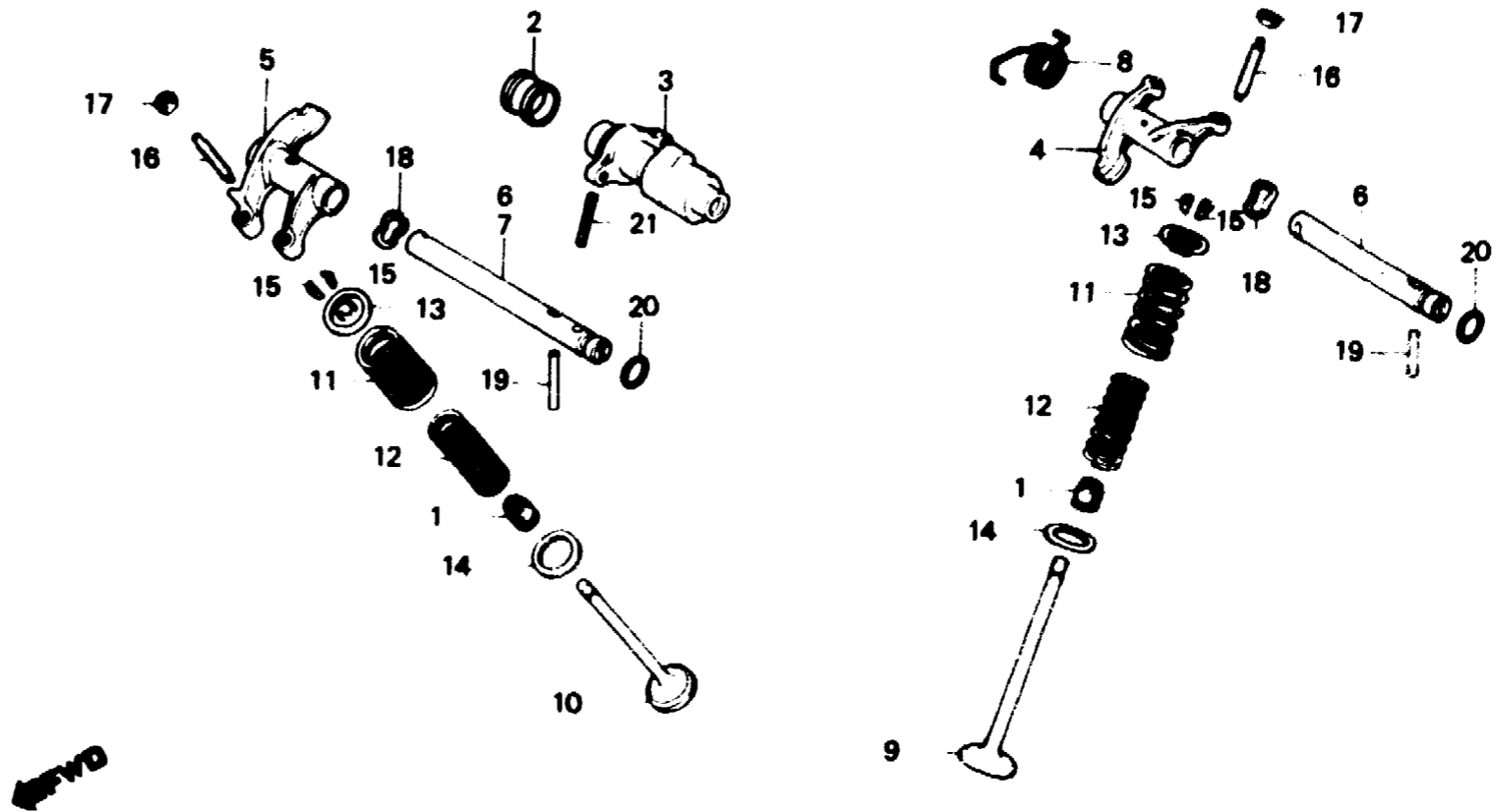
E-3

Camshaft • Valve

Arbre à cames • Soupape

Nockenwelle • Ventil

Arbol de levas • Válvula



B471-3A

Service item	F.R.T.	Ref. No.	Part No.	Description	Reqd No XL250					Serial No.	Area code
					S	Sz	SA	Ss	Rc		
CAMSHAFT	1.1	1	12209-428-003	SEAL, VALVE STEM	4	4	4	4	4		
ARM, VALVE ROCKER INC. RELATIVE PART (WHEN SERVICING COMP., UNIT, F.R.T. IS 0.8.)	0.7	2	12312-428-000	PLUG, CAMSHAFT	1		1				B,DK,DM,E,ED,F,F1,F2 G,G1,G2,SA,SD,SW,U CM
VALVE (ADD 0.2 FOR EACH.) (INC. REFACING) (EXC. VALVE GUIDE REPLACEMENT)	1.7	3	14101-428-000	CAMSHAFT	1	1	1	1	1		B,DK,DM,E,ED,F,F1,F2 G,G1,G2,SA,SD,SW,U CM
SPRING, VALVE OUTER INC. RELATIVE PART (ADD 0.1 FOR EACH.)	1.6	4	14431-428-000	ARM, IN. VALVE ROCKER	1	1	1	1			B,DK,DM,E,ED,F1,F2,G1 G2,IT,SA,SD,SW,U
			14431-471-000	ARM, IN. VALVE ROCKER					1		
			14441-428-000	ARM, EX. VALVE ROCKER	1	1	1	1			
			14441-471-000	ARM, EX. VALVE ROCKER					1		
			6	14451-428-000	SHAFT, VALVE ROCKER ARM	2	2	2	2	1	

1982.01.10

E

C11

C 12

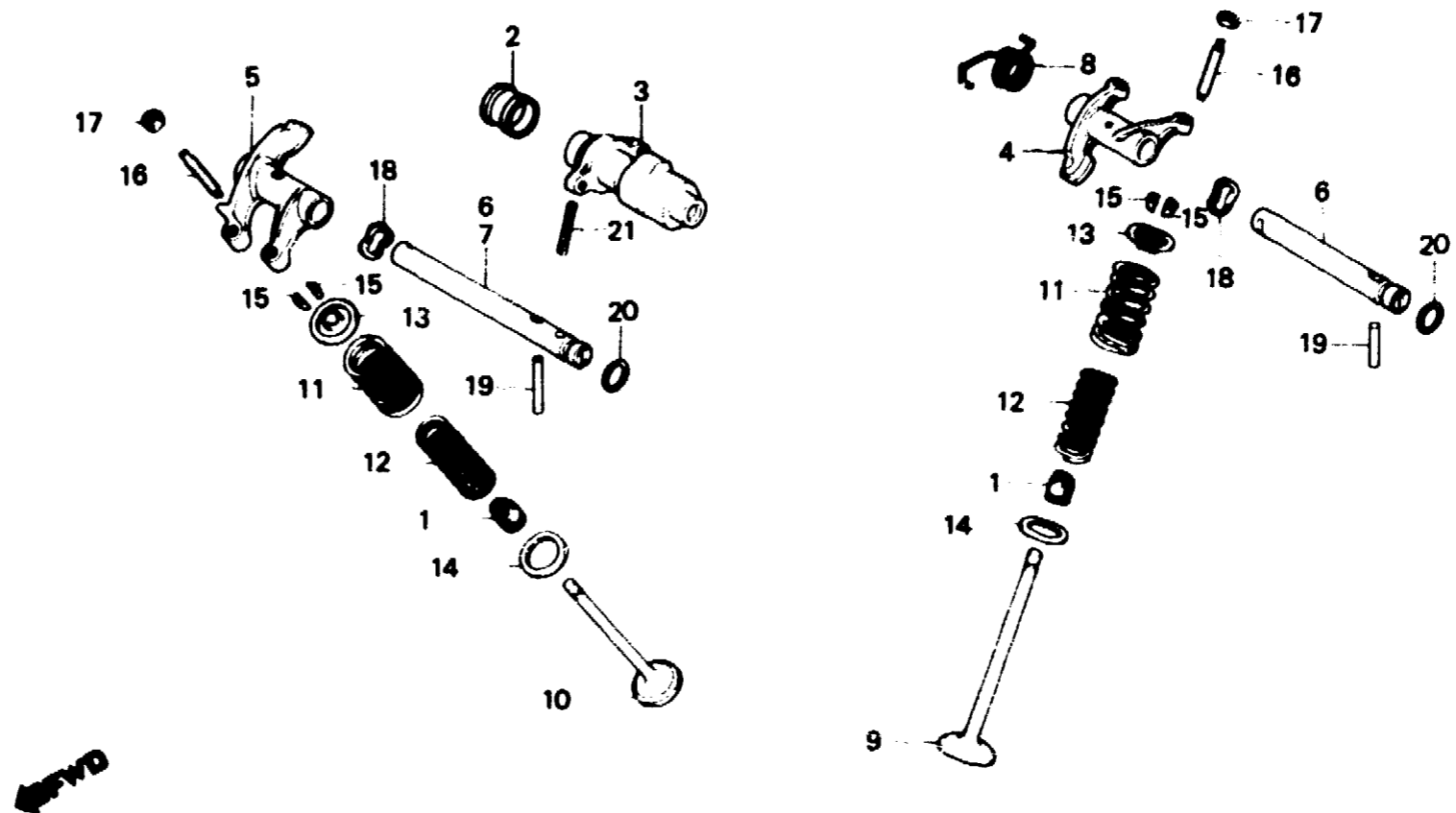
E-3

Camshaft • Valve

Arbre à cames • Soupape

Nockenwelle • Ventil

Arbol de levas • Válvula



B471-3A

Service item	F.R.T.	Ref. No.	Part No.	Description	Reqd. No.					Serial No.	Area code
					S	Sz	SA	Sb	Rc		
		7	14451-471-000	SHAFT, EX. VALVE ROCKER ARM					1		
		8	14461-471-000	SPRING, VALVE ROCKER ARM					1		
		9	14711-428-000	VALVE, IN.	2	2	2	2	2		
		10	14721-428-000	VALVE, EX.	2	2					
			14721-471-000	VALVE, EX.			2			5206972	B,CM,DK,DM,E,ED,F1,F2 G2,SA,SD,SW,U
							2			6000623	G1
							2			5206973	B,CM,DK,DM,E,ED,F1,F2 G2,SA,SD,SW,U
							2			6000624	G1
								2	2		
		11	14751-428-003	SPRING, VALVE OUTER	4	4					
							4			5206972	B,CM,DK,DM,E,ED,F1,F2 G2,SA,SD,SW,U
							4			6000623	G1
			14751-429-003	SPRING, VALVE OUTER (CHUO HATSUJO)			4			5206973	B,CM,DK,DM,E,ED,F1,F2 G2,SA,SD,SW,U
							4			6000624	G1
								4	4		

C 13

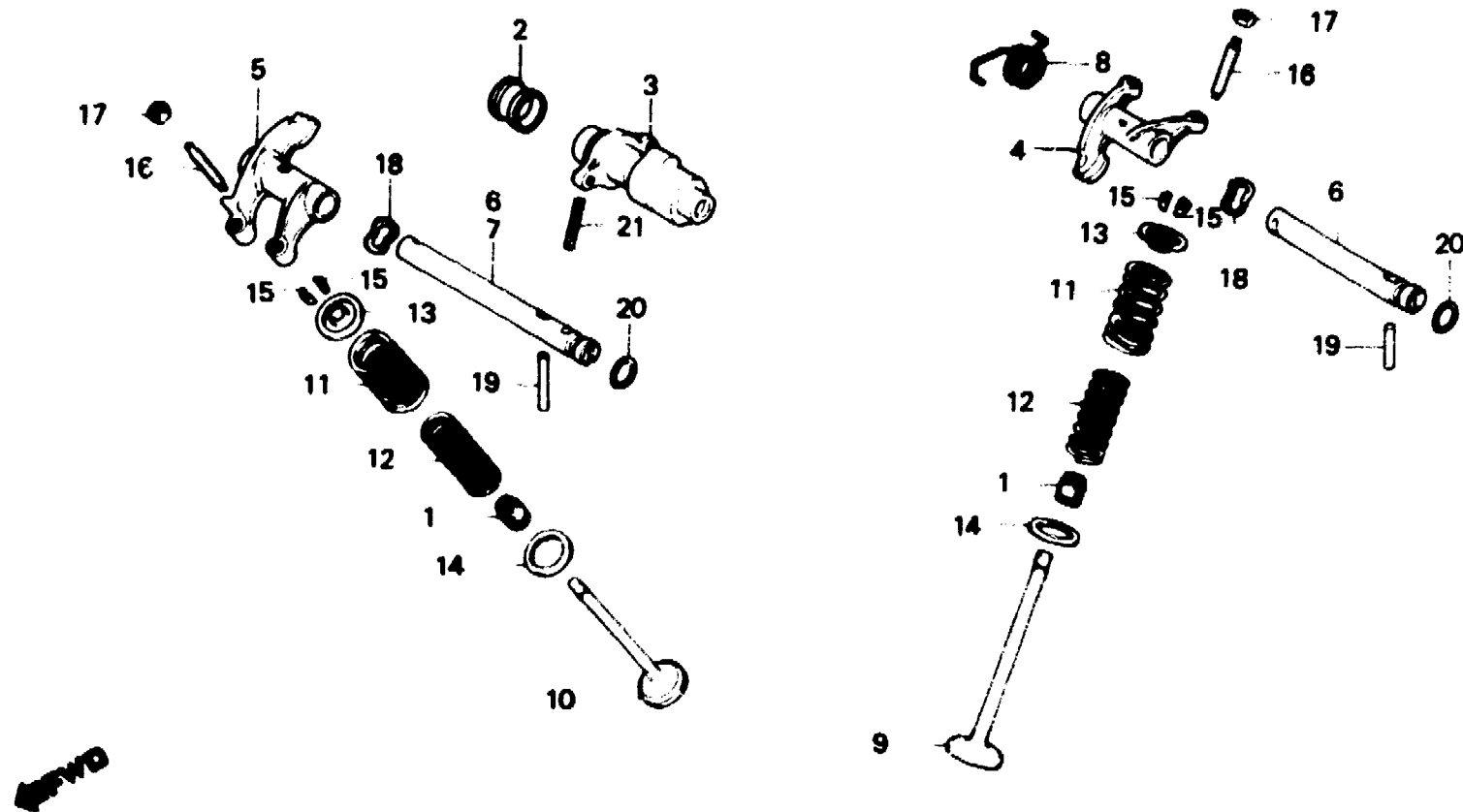
E-3

Camshaft - Valve

Arbre à cames - Soupape

Nockenwelle - Ventil

Arbol de levas - Válvula



B471-3A

Service item	F.R.T.	Ref. No.	Part No.	Description	Reqd. No. XL250					Serial No.	Area code
					S	Sz	SA	Se	Rc		
			14751-429-005	SPRING, VALVE OUTER (NIPPON HATSUJO)	4					5206793 5206973 6000624	B,CM,DK,DM,E,ED,SA F1,F2,G2,SD,SW,U G1
		12	14761-428-003	SPRING, VALVE INNER	4	4			4	5206972 6000623	B,CM,DK,DM,E,ED,F1,F2 G2,SA,SD,SW,U G1
			14761-429-003	SPRING, VALVE INNER (CHUD HATSUJO)	4					5206973 6000624	B,CM,DK,DM,E,ED,F1,F2 G2,SA,SD,SW,U G1
			14761-429-005	SPRING, VALVE INNER (NIPPON HATSUJO)	4				4	5206973 6000624	B,CM,DK,DM,E,ED,F1,F2 G2,SA,SD,SW,U G1
		13	14771-428-000	RETAINER, VALVE SPRING	4	4	4	4	4		
		14	14775-428-000	SEAT, VALVE SPRING	4	4	4	4			
			14775-471-000	SEAT, VALVE SPRING					4		
		15	14781-107-020	COTTER, VALVE	8	8	8	8			
			14781-107-003	COTTER, VALVE (SANKO)					8		

C 14

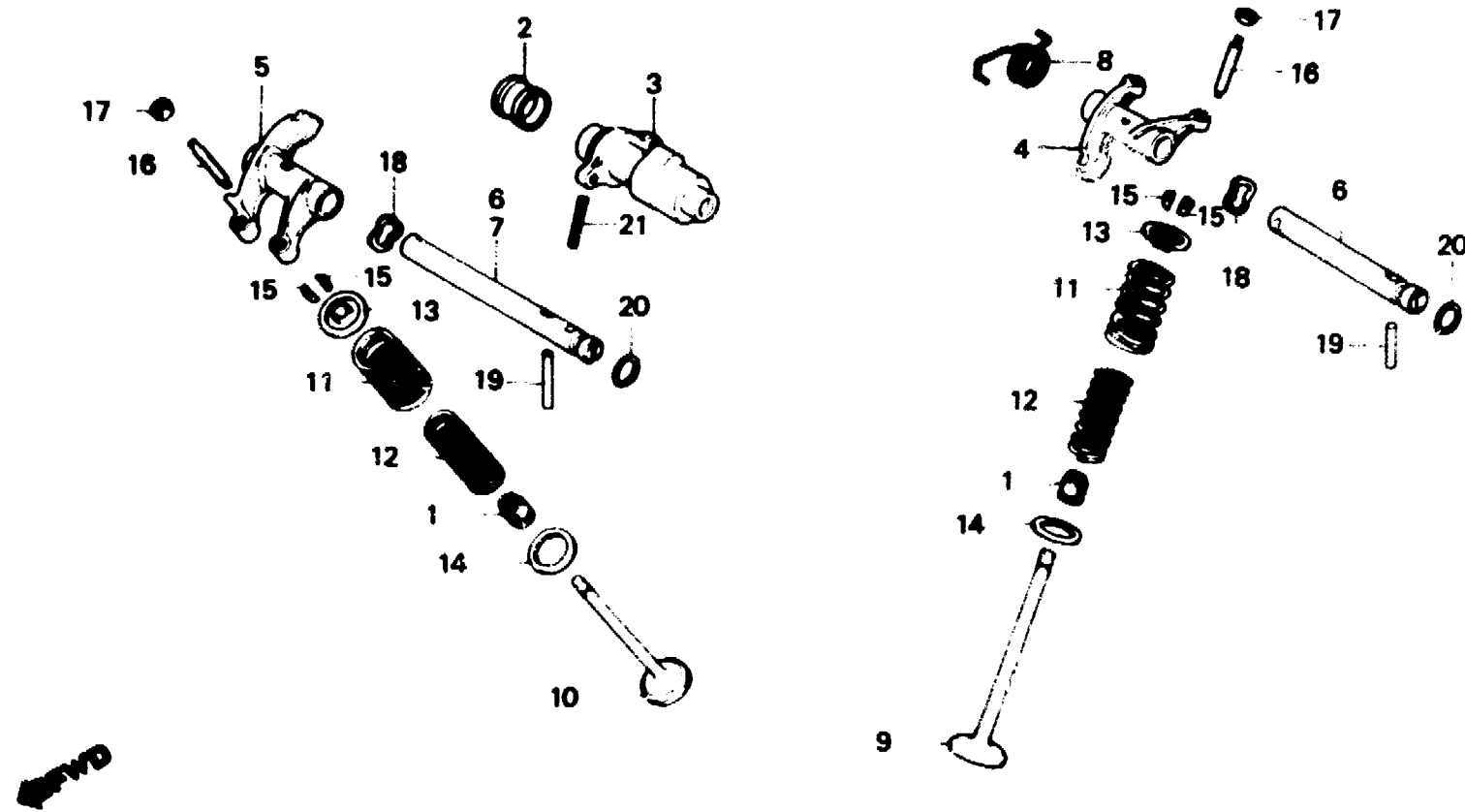
E-3

Camshaft • Valve

Arbre à cames • Soupape

Nockenwelle • Ventil

Arbol de levas • Válvula



B471 3A

Service item	F.R.T.	Ref. No.	Part No.	Description	Reqd No					Serial No.	Area code
					S	Sz	SA	Se	Rc		
		16	90012-333-000	SCREW, TAPPET ADJUSTING	4	4	4	4	4		
		17	90206-246-000	NUT, TAPPET ADJUSTING	4	4	4	4	4		
		18	90402-428-000	WASHER, WAVE, 12MM	2	2	2	2	2		
		19	91101-428-000	PIN, DOWEL, 5X28	2	2	2	2	2		
		20	91303-428-003	O-RING, 7.7X2.5	2	2	2	2	2		
		21	94305-30302	PIN, SPRING, 3X30					1	1	B,DK,DM,E,ED,F1,F2,G1 G2,IT,SA,SD,SW,U

1982.01.10

E

C14

C 15

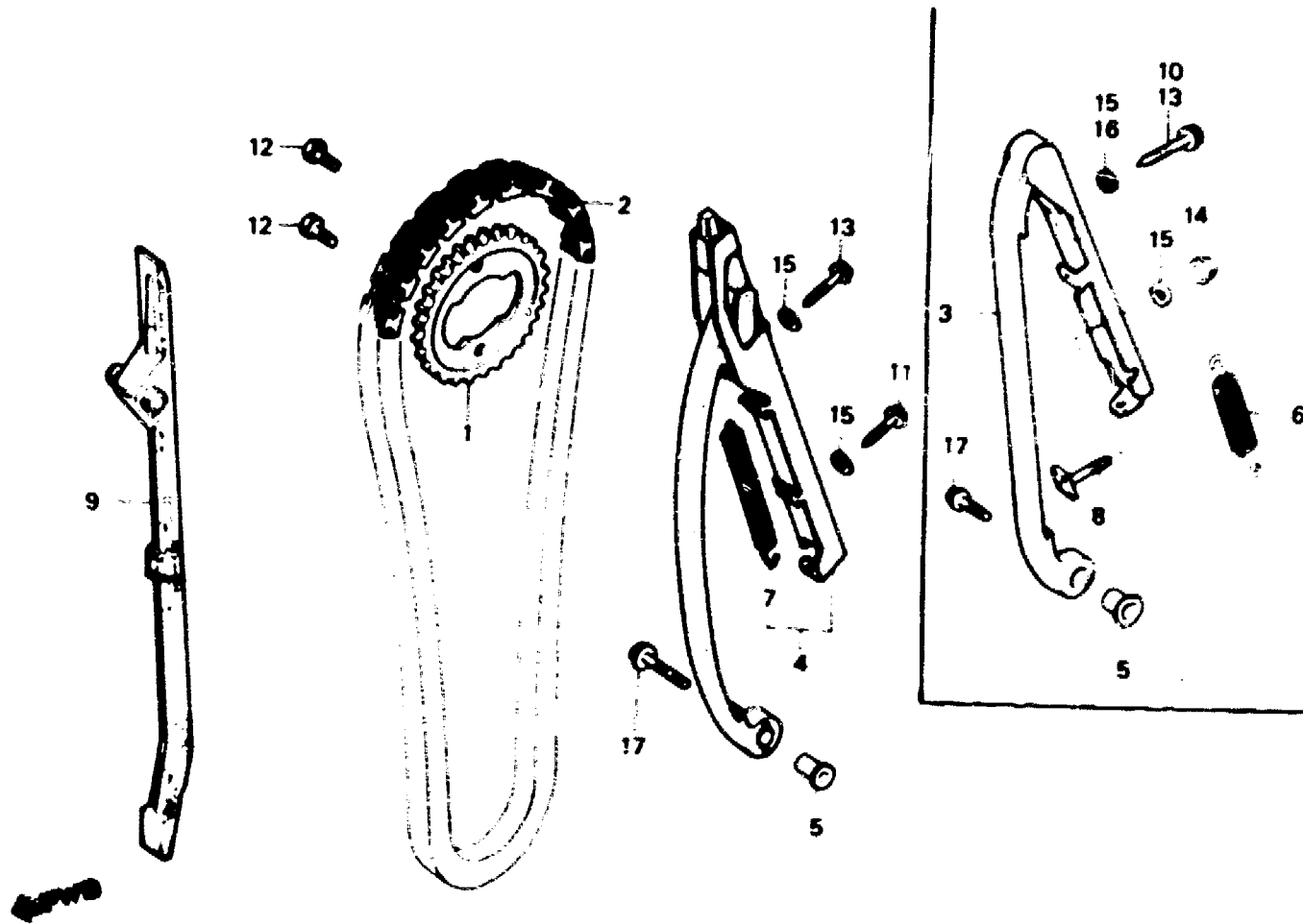
E-4

Cam chain • Tensioner

Chaîne de cames • Tendeur

Steuerkette • Spanner

Cadena de levas • Tensionador



BVA...

Service item	F.R.T.	Ref. No.	Part No.	Description	Road No XL250					Serial No.	Area code
					S	Sz	SA	Se	Rc		
SPROCKET, CAM	1.1	1	14321-428-000	SPROCKET, CAM (38T)	1	1	1	1	1		
CHAIN, CAM	1.7	2	14401-428-003	CHAIN, CAM	1	1	1	1	1		
TENSIONER COMP., CAM CHAIN		3	14500-428-000	TENSIONER COMP., CAM CHAIN	1						
GUIDE, CAM CHAIN	1.5				1					5018295	CM DK,DM,E,ED,F,G,SA,Sw U
			14500-428-010	TENSIONER COMP., CAM CHAIN	1					5103398	DK,DM,E,ED,F,G,SA,Sw U
										5103399	
		4	14500-471-000	TENSIONER COMP., CAM CHAIN			1	1			
		5	14515-428-000	COLLAR, 6X14.7	1	1	1	1	1		
		6	14516-428-000	SPRING A, CAM CHAIN TENSIONER	1	1	1	1			
		7	14516-471-000	SPRING, CAM CHAIN TENSIONER					1		
		8	14538-413-000	ADJUSTER, CAM CHAIN TENSIONER	1	1	1				

C 16

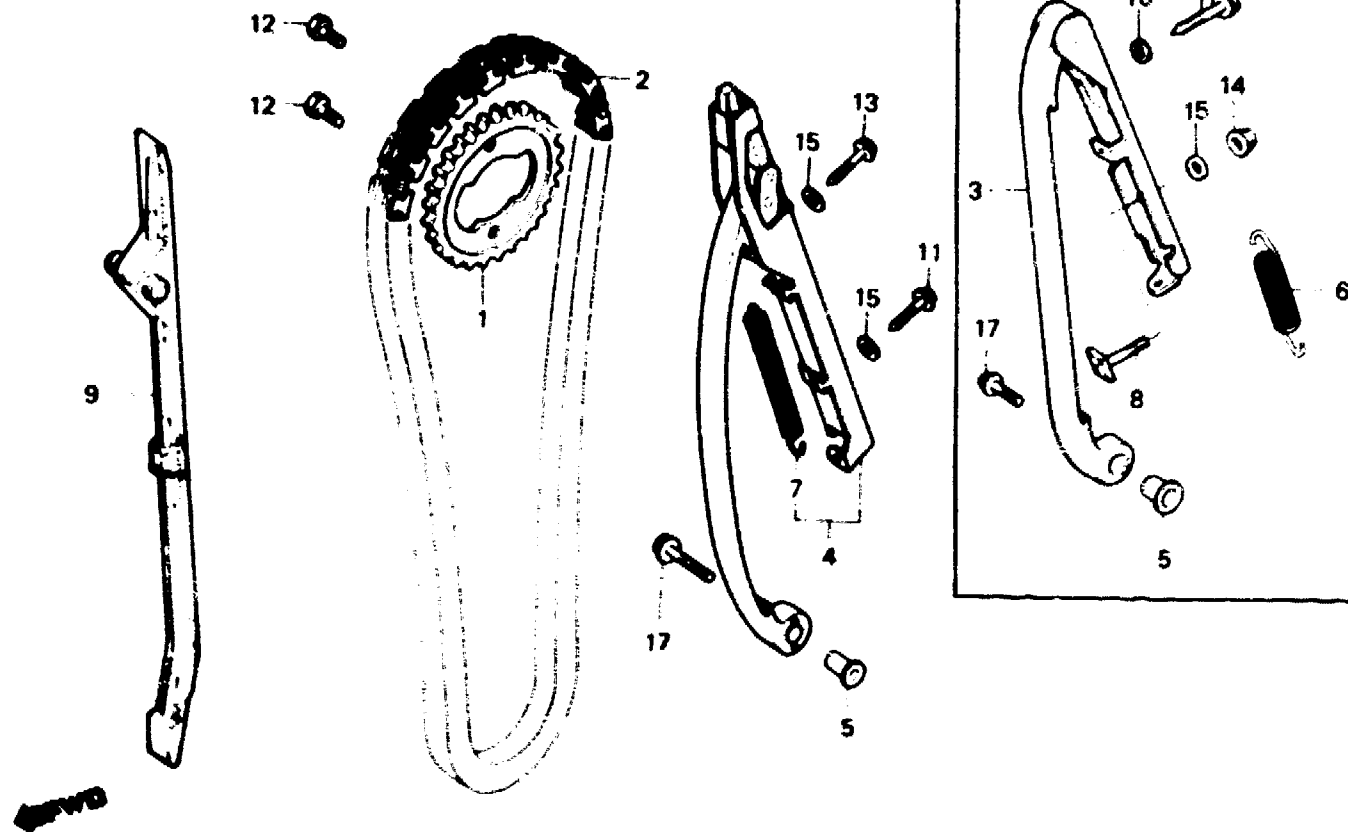
E-4

Cam chain - Tensioner

Chaîne de cames - Tendeur

Steuerkette - Spanner

Cadena de levas - Tensionador



BMA0-5

Service item	F.R.T.	Ref. No.	Part No.	Description	Reqd No					Serial No.	Area code
					S	Sz	SA	Sa	Rc		
			14538-428-000	ADJUSTER, CAM CHAIN TENSIONER					1		
		9	14620-428-000	GUIDE, CAM CHAIN	1	1	1	1	1		
		12	90001-428-000	BOLT, SPECIAL, 6MM	1	1	1				
		11	90011-471-000	BOLT, SPECIAL, 6X26						1	
		12	90081-246-000	BOLT, KNOCK, 7X12	2	2	2	2	2		
		13	90125-399-000	BOLT, SPECIAL, 6X28					1	1	
		14	90201-415-000	NUT, CAP, 6MM	1	1	1	1			
		15	90441-706-000	WASHER, SEALING, 6MM	1	1	1	1			2
		16	91305-323-000	O-RING, 5.8X1.9	1	1	1				
		17	95700-06028-00	BOLT, FLANGE, 6X28	1	1	1	1	1		1

1982.01.10

E

C16

D 1

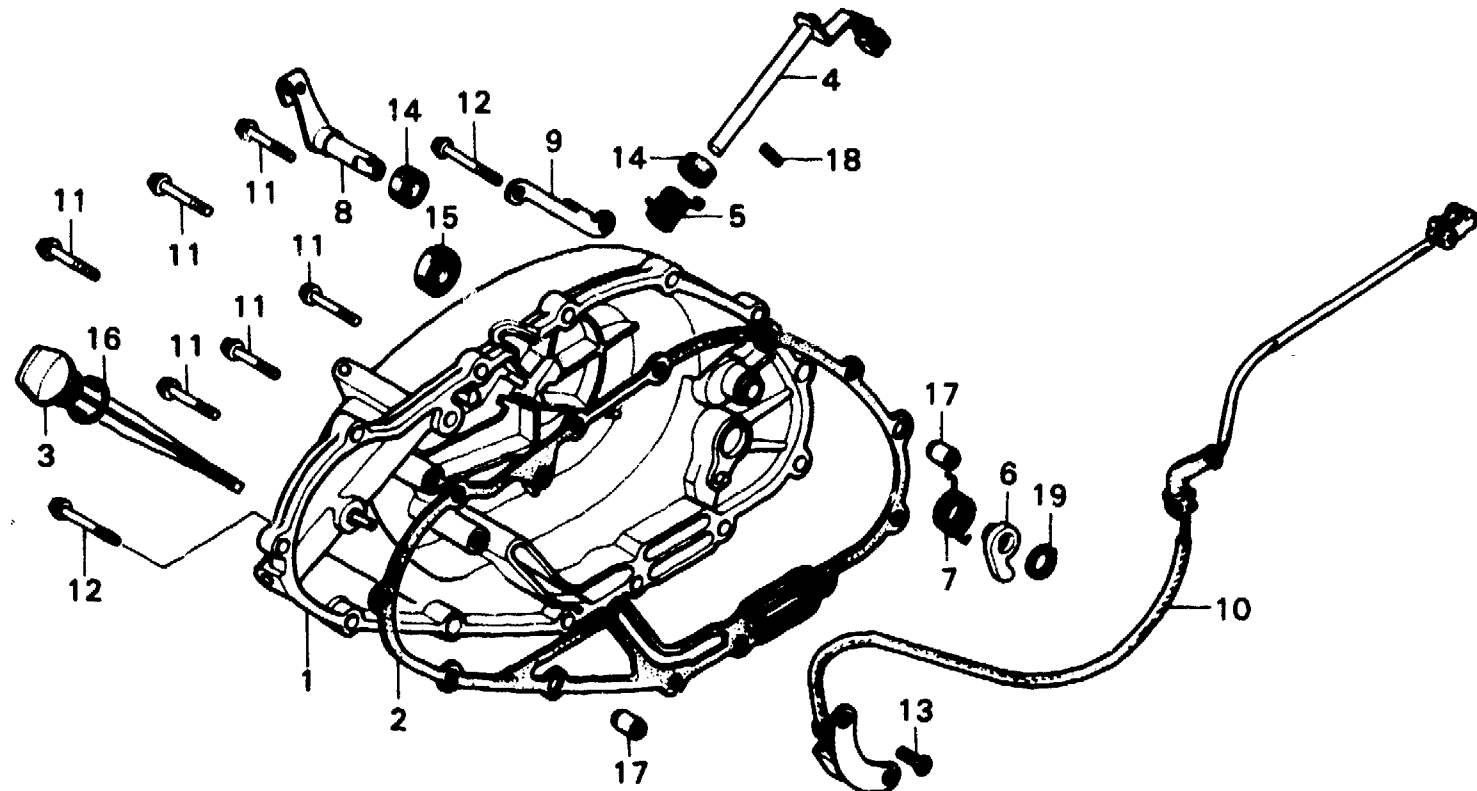
E-5

Right crankcase cover

Couvercle de carter moteur droit

Rechter Kurbelgehäusedeckel

Cubierta de cárter de motor derecha



B428-5

Service item	F.R.T.	Ref. No.	Part No.	Description	Reqd. No. XL250					Serial No.	Area code
					S	Sz	SA	Ss	Rc		
COVER COMP., R. CRANKCASE	1.0	1	11330-428-000	COVER COMP., R. CRANKCASE	1					5023249	
GASKET, R. CRANKCASE COVER	0.6		11330-429-000	COVER COMP., R. CRANKCASE	1					5023250	
LEVER COMP., CLUTCH	0.7					1	1				
INC. RELATIVE PART			11330-428-730	COVER COMP., R. CRANKCASE				1			
SHAFT COMP., FOLLOWER			11330-KA6-000	COVER COMP., R. CRANKCASE					1		
OIL SEAL, 18X29X7		2	11394-428-000	GASKET, R. CRANKCASE COVER	1					5024491	DK,DM,E,ED,F,G,SA,SW U
PULSER ASSY. GENERATOR	0.8				1	1				5202460	CM
GENERATOR ASSY., PULSE							1			5202461	CM
			11394-429-000	GASKET, R. COVER	1					5024492	DK,DM,E,ED,F,G,SA,SW U
							1			5202461	CM
							1	1			B,DK,DM,E,ED,F1,F2,G1 G2,SA,SD,SW,U
			11394-MA0-000	GASKET, R. COVER					1		
			11394-429-000	GASKET, R. COVER					1		CM
		3	15650-399-000	GAUGE, OIL LEVEL	1	1	1	1			
			15650-471-000	GAUGE, OIL LEVEL					1		

D 2

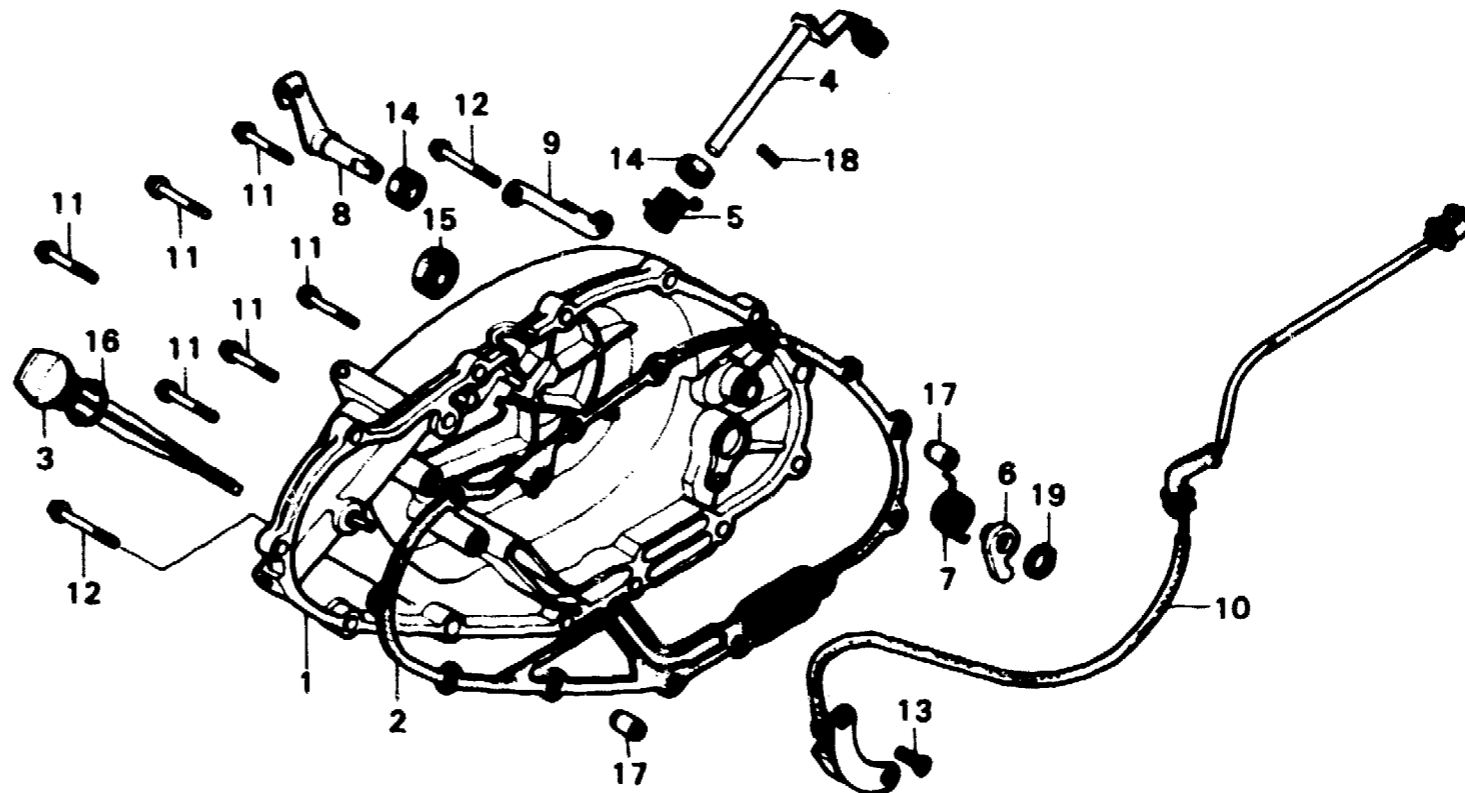
E-5

Right crankcase cover

Couvercle de carter moteur droit

Rechter Kurbelgehäusedeckel

Cubierta de cárter de motor derecha



B428-5

Service item	F.R.T.	Ref. No.	Part No.	Description	Reqd. No. XL250					Serial No.	Area code
					S	Sz	SA	Se	Rc		
		4	22810-428-000	LEVER COMP., CLUTCH	1	1					
			22810-429-000	LEVER COMP., CLUTCH			1				
			22810-471-000	LEVER COMP., CLUTCH				1	1		
		5	22815-428-000	SPRING, CLUTCH LEVER	1	1	1	1	1		
		6	28271-428-000	FOLLOWER, CAM	1	1	1	1	1		
		7	28274-428-000	SPRING, FOLLOWER	1	1	1	1	1		
		8	28280-428-000	SHAFT COMP., FOLLOWER	1	1	1	1	1		
		9	28287-428-000	RECEIVER B, DECOMPRESSION	1	1	1				
			28274-435-730	RECEIVER B, DECOMPRESSION					1	1	
		10	30300-428-154	PULSER ASSY. A, GENERATOR						1	
			30301-428-305	PULSER ASSY. A, GENERATOR	1	1	1				
			30302-428-305	PULSER ASSY. B, GENERATOR	1	1	1				
			30303-428-305	PULSER ASSY. C, GENERATOR	1	1	1				
			30300-KB7-154	GENERATOR ASSY., PULSE							1
		11	90005-415-000	BOLT, FLANGE, 6X25	11	11					

D 3

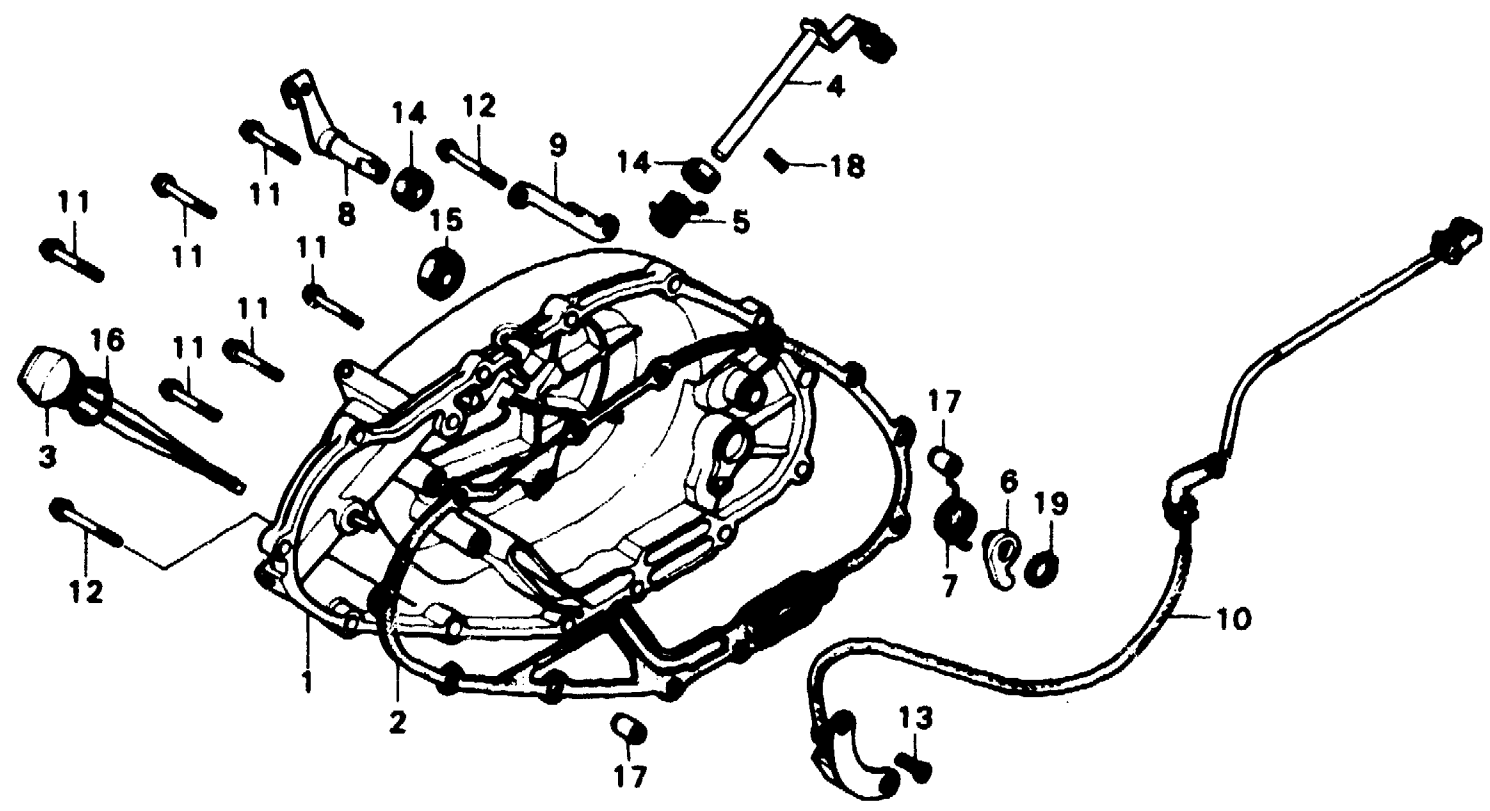
E-5

Right crankcase cover

Couvercle de carter moteur droit

Rechter Kurbelgehäusedeckel

Cubierta de cárter de motor derecha



B428-5

Service item	F.R.T.	Ref. No.	Part No.	Description	Reqd. No.					Serial No.	Area code
					S	Sz	SA	Ss	Rc		
			96000-06025-00	BOLT, FLANGE, 6X25	11	11	11	11	11		
		12	90007-428-000	BOLT, FLANGE, 6X40	2	2					
			96000-06040-00	BOLT, FLANGE, 6X40	2	2	2	2	2		
		13	90190-663-671	SCREW, TAPPING, 6X16	2	2	2	2	2		
		14	91201-148-003	OIL SEAL, 12X22X5	2	2	2	2	2		
			91201-148-005	OIL SEAL, 12X22X5	2	2	2	2	2		
		15	91204-286-003	OIL SEAL, 18X29X7	1	1	1	1	1		
			91204-286-005	OIL SEAL, 18X29X7	1	1	1	1	1		
		16	91307-035-000	O-RING, 18X3	1	1	1	1	1		
		17	94301-10160	PIN A, DWEL, 10X16	2	2	2	2	2		
		18	94305-30102	PIN, SPRING, 3X10	1	1	1	1	1		
		19	94510-10000	CIRCLIP, EXTERNAL, 10	1	1	1	1	1		

1982.01.10

E

D3

D 4

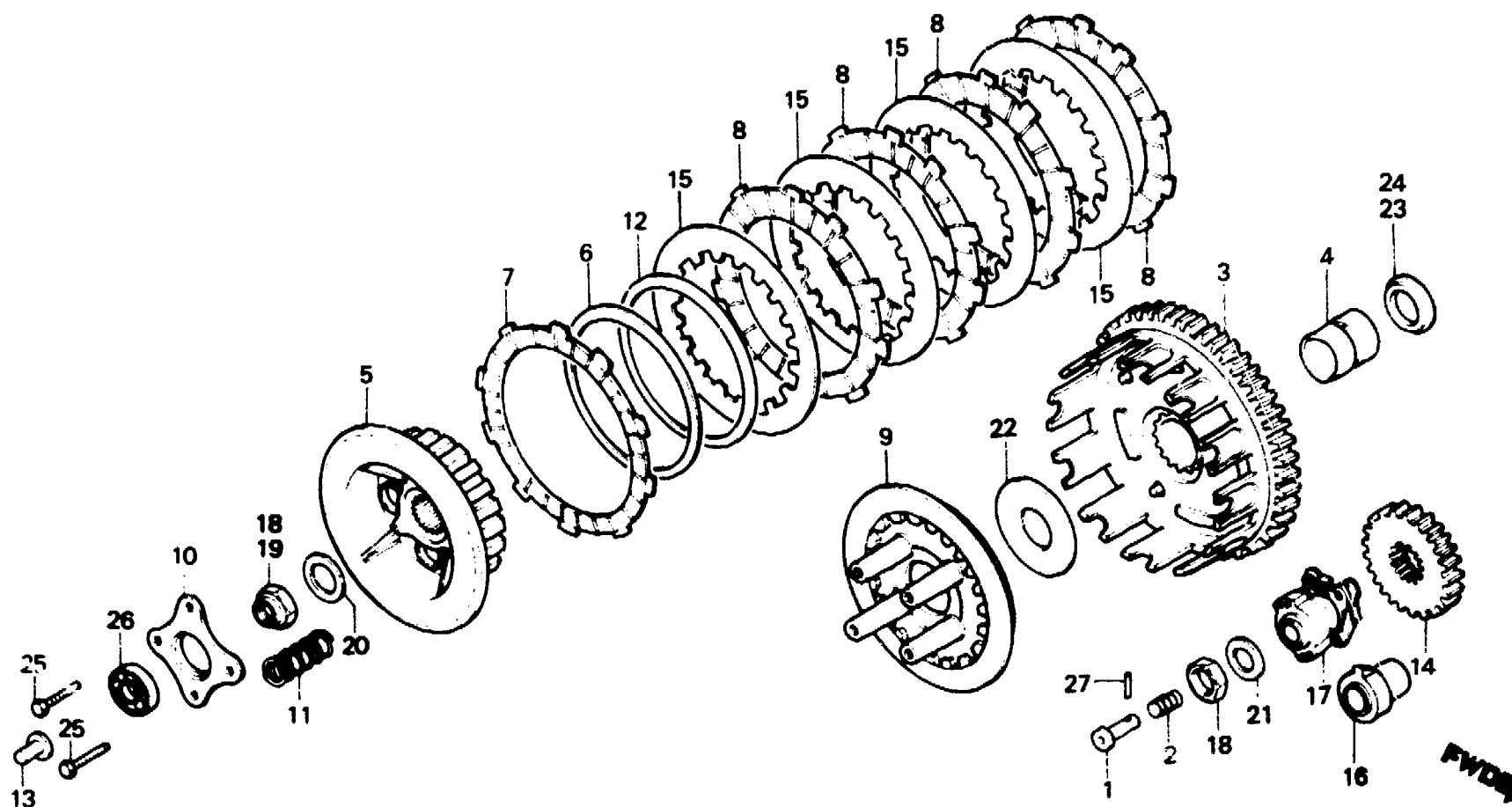
E-6

Clutch • Spark advancer

Embrayage • Avance d'allumage

Kupplung • Zündversteller

Embrague • Avanzador encendido



8471-7A

Service item	F.R.T.	Ref. No.	Part No.	Description	Reqd. No. XL250					Serial No.	Area code
					S	Sz	SA	Se	Rc		
THROUGH, OIL	0.6	1	15445-428-000	THROUGH, OIL	1	1	1	1	1		
•SPRING, CLUTCH (ONE OR ALL)		2	15447-149-000	SPRING, OIL THROUGH	1	1	1	1	1		
•OUTER COMP., CLUTCH	0.8	3	22100-428-000	OUTER COMP., CLUTCH (69T 17T)	1	1	1				
•CENTER COMP., CLUTCH			22100-471-000	OUTER COMP., CLUTCH					1		
•DISK, CLUTCH FRICTION INC. RELATIVE PART (ONE OR ALL)			22100-473-000	OUTER COMP., CLUTCH						1	
•PLATE, CLUTCH PRESSURE GEAR, RRIMARY DRIVE	0.7	4	22116-428-000	GUIDE, CLUTCH OUTER	1	1	1				
•ROTOR COMP., PULSE			22116-429-000	GUIDE, CLUTCH OUTER						1	1
•ADVANCER ASSY. SPARK		5	22120-428-000	CENTER COMP., CLUTCH	1	1	1				
			22120-471-000	CENTER COMP., CLUTCH						1	1
		6	22125-435-000	SEAT, JUDDER SPRING						1	1
		7	22201-302-000	DISK, CLUTCH FRICTION						1	1
		8	22201-377-000	DISK, CLUTCH FRICTION	4	4	4	4	4		
		9	22350-428-000	PLATE, CLUTCH PRESSURE	1	1	1	1	1		
		10	22361-428-000	PLATE, CLUTCH LIFTER	1	1	1				
			22361-471-000	PLATE, CLUTCH LIFTER						1	1
		11	22401-428-000	SPRING, CLUTCH	4	4	4	4	4		
		12	22402-435-000	SPRING, JUDDER						1	1

D 5

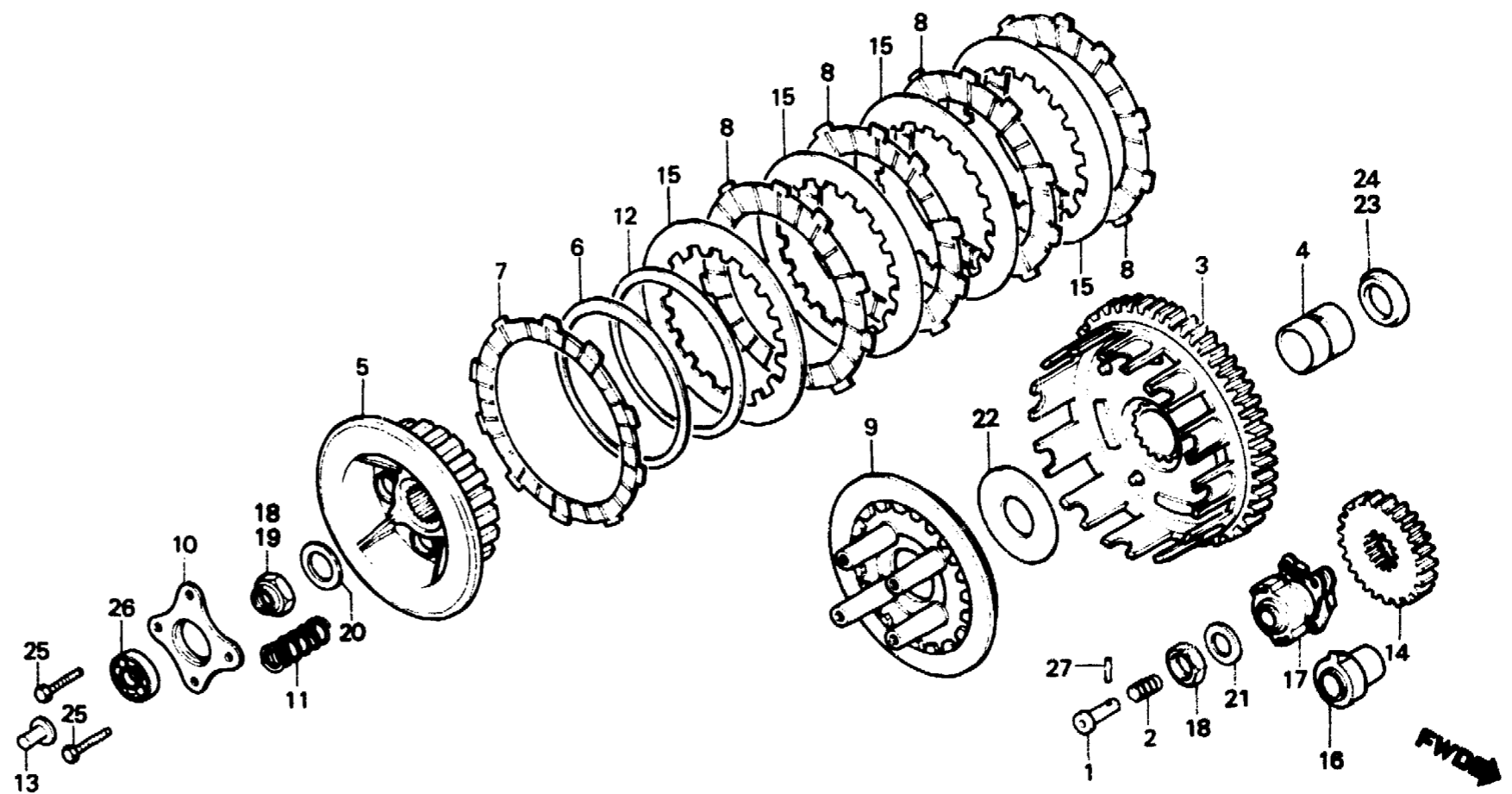
E-6

Clutch • Spark advancer

Embrayage • Avance d'allumage

Kupplung • Zündversteller

Embrague • Avanzador encendido



B471-7A

Service item	F.R.T.	Ref. No.	Part No.	Description	Reqd. No. XL250					Serial No.	Area code
					S	Sz	SA	Sb	Rc		
		13	22847-428-000	ROD, CLUTCH LIFTER	1	1	1				
			22847-166-000	ROD, CLUTCH LIFTER				1	1		
		14	23121-428-000	GEAR, RRIMARY DRIVE (29T)	1	1	1	1	1		
		15	23311-200-000	PLATE A, CLUTCH	3	3	3	4	4		
		16	30220-KB7-154	ROTOR COMP., PULSE					1		
		17	30222-428-305	ADVANCER ASSY. A, SPARK	1					5023846	DK,DM,E,ED,F,G,SA,SW U CM
			30223-428-305	ADVANCER ASSY. B, SPARK	1	1				5023846	DK,DM,E,ED,F,G,SA,SW U CM
			30224-428-305	ADVANCER ASSY. C, SPARK	1	1				5023846	DK,DM,E,ED,F,G,SA,SW U CM
			30222-428-315	ADVANCER ASSY. A, SPARK	1	1				5023847	DK,DM,E,ED,F,G,SA,SW U CM
											B,CM,DK,DM,E,ED,F1,F2 G1,G2,SA,SW,U



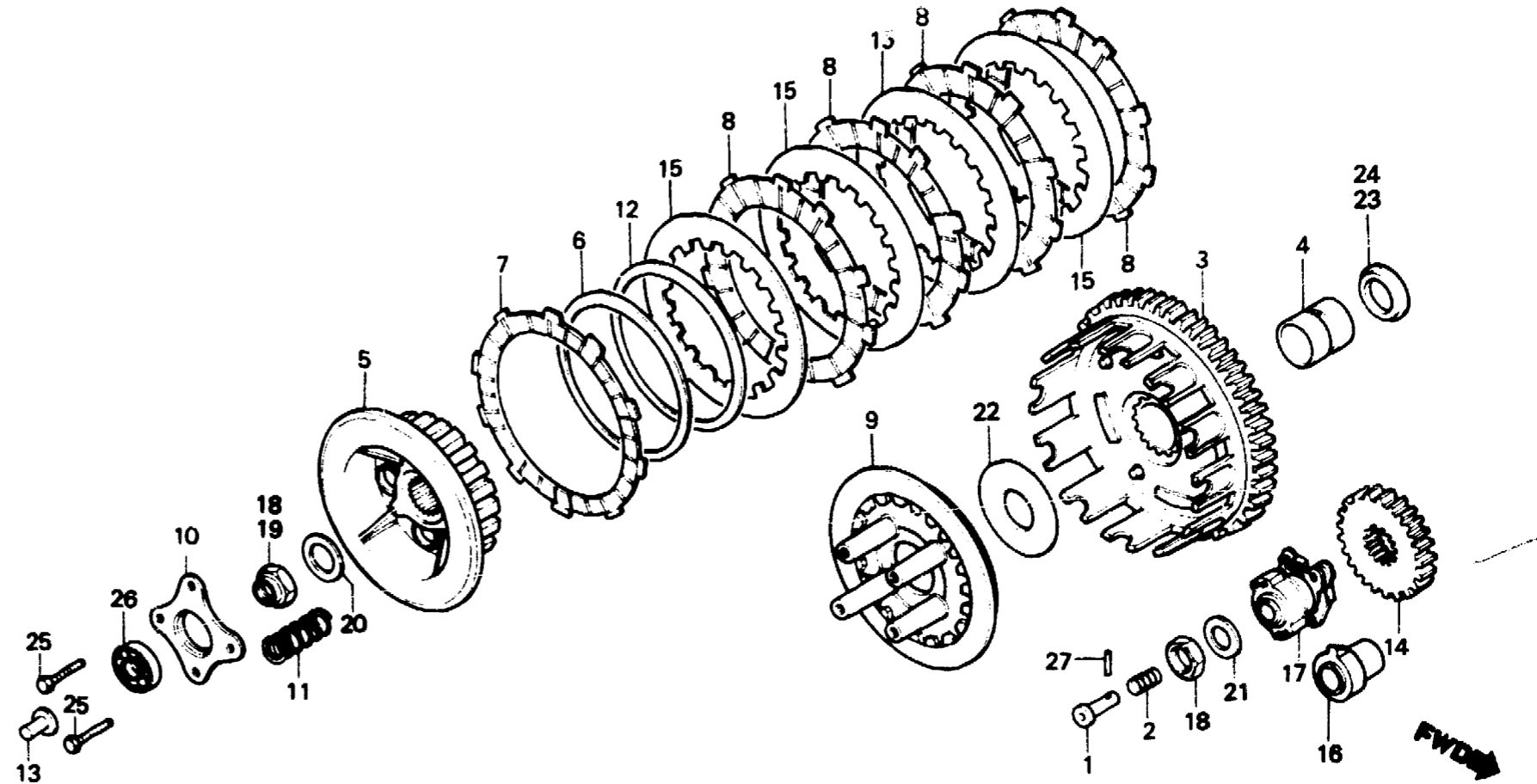
E-6

Clutch • Spark advancer

Embrayage • Avance d'allumage

Kupplung • Zündversteller

Embrague • Avanzador encendido



B471-7A

Service item	F.R.T.	Ref. No.	Part No.	Description	Reqd. No. XL250					Serial No.	Area code
					S	Sz	SA	SA	Rc		
			30223-428-315	ADVANCER ASSY. B, SPARK	1					5023847	DK,DM,E,ED,F,G,SA,SW U
			30224-428-315	ADVANCER ASSY. C, SPARK	1					5023847	B,CM,DK,DM,E,ED,F1,F2 G1,G2,SA,SW,U
			30220-428-164	ADVANCER ASSY. A, SPARK					1		DK,DM,E,ED,F,G,SA,SW U
		18	90235-428-000	NUT, LOCK, 18MM	2	2	2				B,CM,DK,DM,E,ED,F1,F2 G1,G2,SA,SW,U
		19	90235-429-000	NUT, LOCK, 18MM					1		
		20	90432-428-000	WASHER, LOCK	1	1	1	1	1		
		21	90451-357-000	WASHER, 18MM	1	1	1	1	1		
		22	90452-471-000	WASHER, THRUST, 22MM					1		
		23	90453-704-000	WASHER, THRUST, 22MM	1	1	1				
		24	90458-429-000	WASHER, THRUST, 22MM					1		B,DK,DM,E,ED,F1,F2,G1 G2,SA,SD,SW,U

D 7

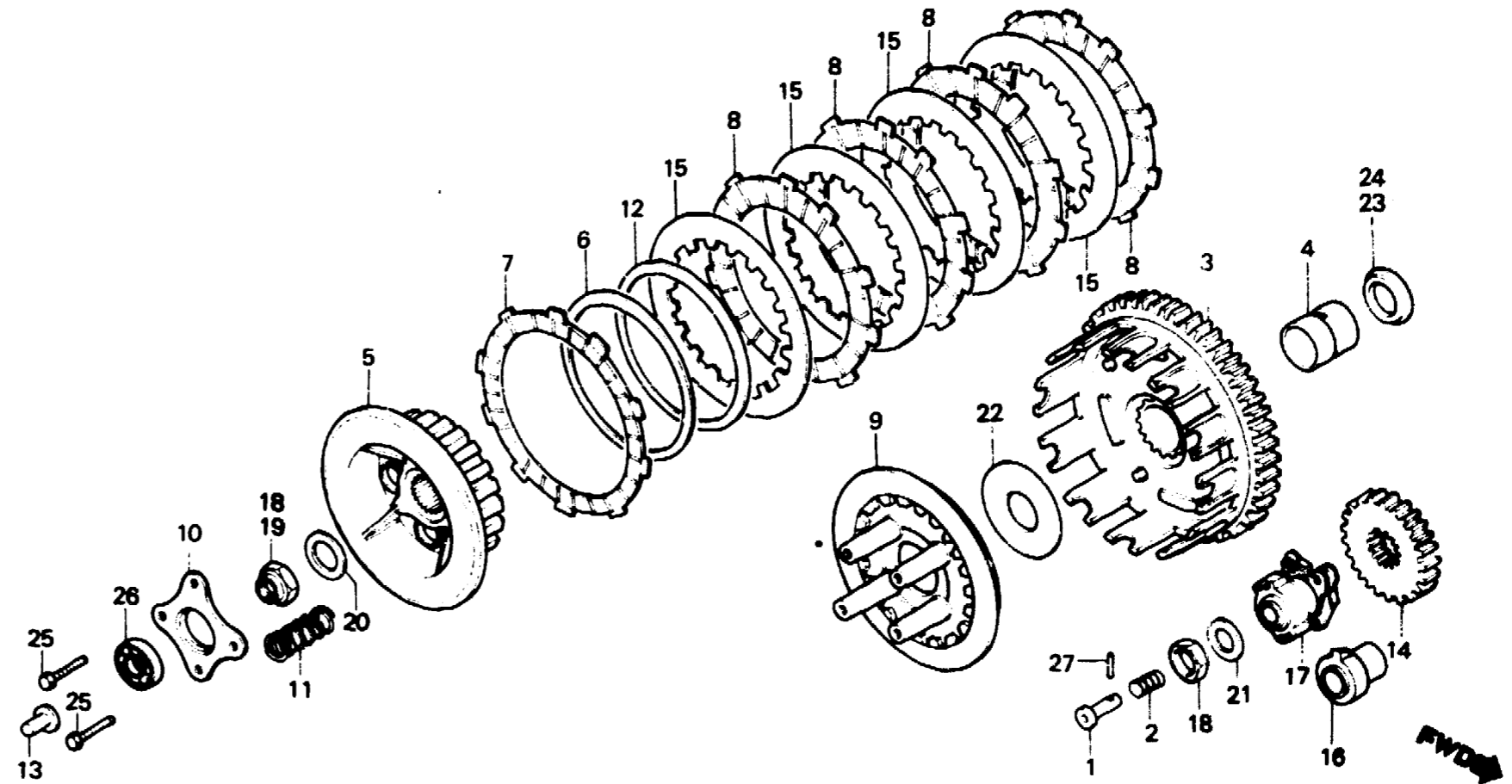
E-6

Clutch • Spark advancer

Embrayage • Avance d'allumage

Kupplung • Zündversteller

Embrague • Avanzador encendido



B471-7A

Service item	F.R.T.	Ref. No.	Part No.	Description	Reqd. No.					Serial No.	Area code
					S	Sz	SA	Se	Rc		
			90458-429-010	WASHER, THRUST, 22MM					1	1	C4 B,DK,DM,E,ED,F1,F2,G1 G2,IT,SA,SD,SW,U
		25	92025-06025	BOLT, HEX., 6X25	4	4	4	4	4		
		26	96100-60010	BEARING, RADIAL BALL, 6001	1	1	1	1			
			96100-60010-00	BEARING, RADIAL BALL, 6001							
		27	96220-20138	ROLLER, 2X13.8	1	1	1	1	1		

1982.01.10

E

D7

D 8

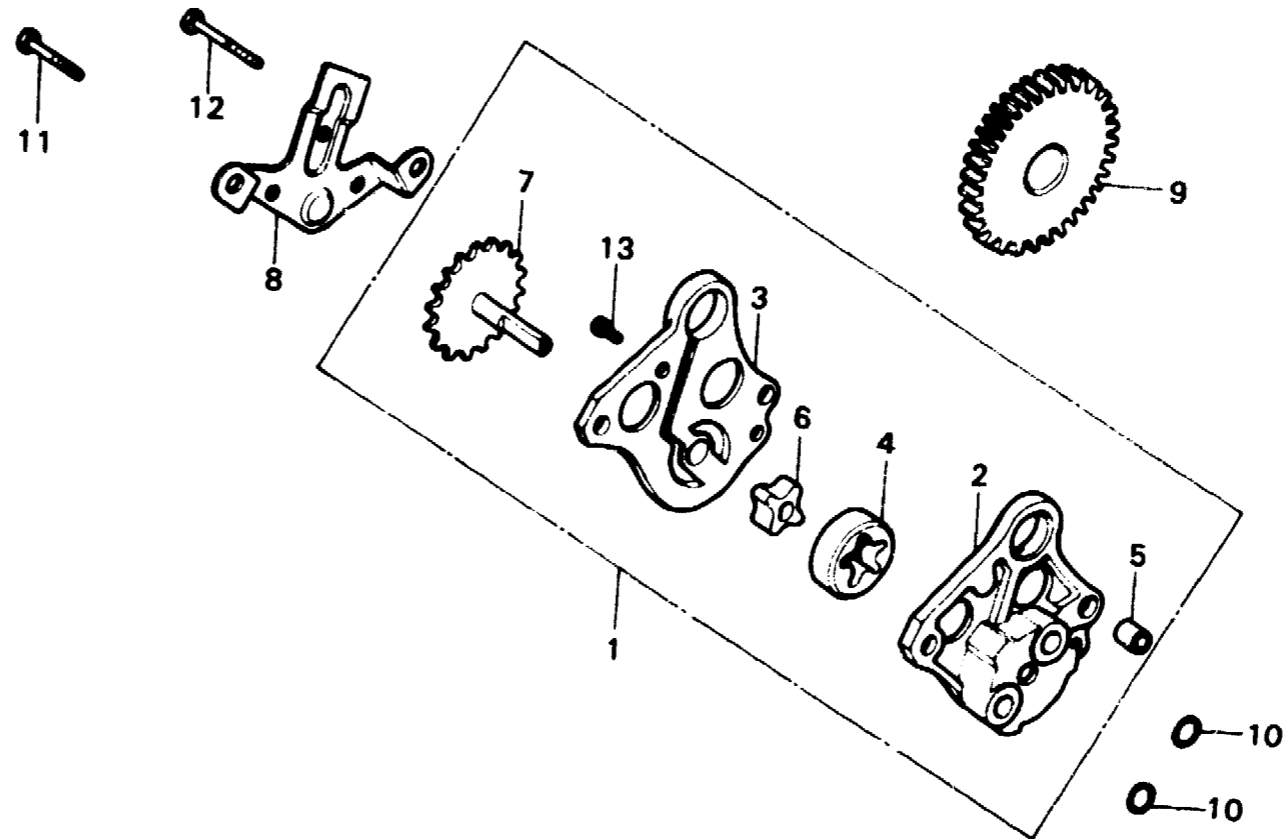
E-7

Oil pump

Pompe à huile

Ölpumpe

Bomba de aceite



B428-7

Service item	F.R.T.	Ref. No.	Part No.	Description	Reqd. No. XL250					Serial No.	Area code		
					S	Sz	SA	Se	Rc				
PUMP ASSY., OIL INC. RELATIVE PART	0.7	1	15100-428-000	PUMP ASSY., OIL	1	1	1	1	1				
		2	15111-428-000	BODY, OIL PUMP	1	1	1	1	1				
		3	15121-428-000	COVER, OIL PUMP	1	1	1	1	1				
		4	15122-329-010	ROTOR, OIL PUMP OUTER	1	1	1	1	1				
		5	15122-428-000	PIN, DOWEL, 8X18	1	1	1	1	1				
		6	15123-329-010	ROTOR, OIL PUMP INNER	1	1	1	1	1				
		7	15130-428-000	GEAR, OIL PUMP DRIVE (18T)	1	1	1	1	1				
		8	15197-428-000	PLATE, OIL PUMP SETTING	1								
				15197-428-010	PLATE, OIL PUMP SETTING	1					5017112	5017111	CM DK,DM,E,ED,F,G,SA,SW U
											5103217	5103217	
									5103218	5103218	DK,DM,E,ED,F,G,SA,SW U		
						1	1	1					

1982.01.10

E

D8

D 9

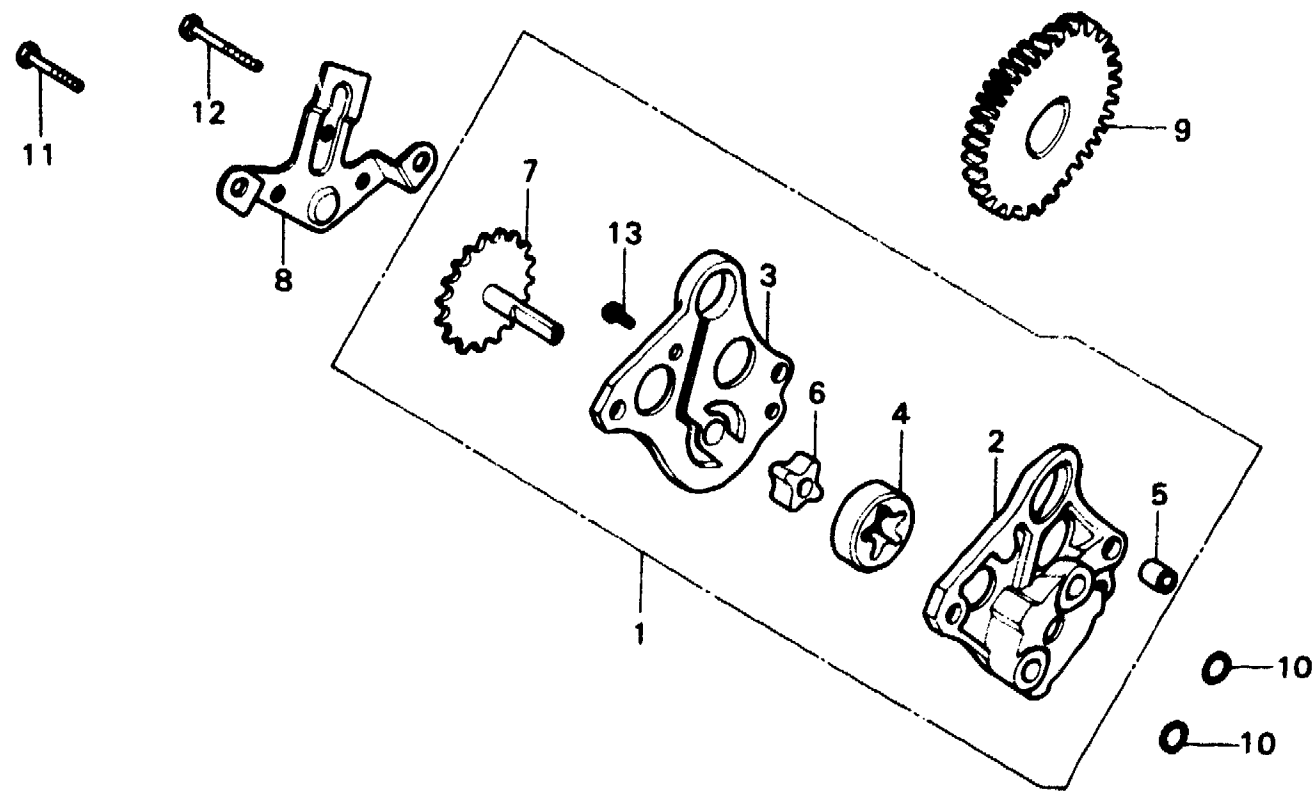
E-7

Oil pump

Pompe à huile

Ölpumpe

Bomba de aceite



B428-7

Service item	F.R.T.	Ref. No.	Part No.	Description	S	Reqd. No. XL250				Serial No.	Area code
						Sz	SA	So	Rc		
		9	28221-428-000	GEAR, KICK STARTER IDLE (24T)	1					5023225	CM
					1						DK,DM,E,ED,F,G,SA,SW
			28221-429-010	GEAR, KICK STARTER IDLE (24T)	1					5023226	U
											DK,DM,E,ED,F,G,SA,SW
		10	91312-107-000	O-RING, 7X1.7	2	1	1	1	1		
			91301-473-003	O-RING, 7X1.7		2	2	2	2		
		11	92000-06028	BOLT, HEX., 6X28	1	1	1	1	1		
		12	92000-06035	BOLT, HEX., 6X35	1	1	1	1	1		
		13	93500-05012-1A	SCREW, PAN, 5X12	1	1	1	1	1		