

N 2

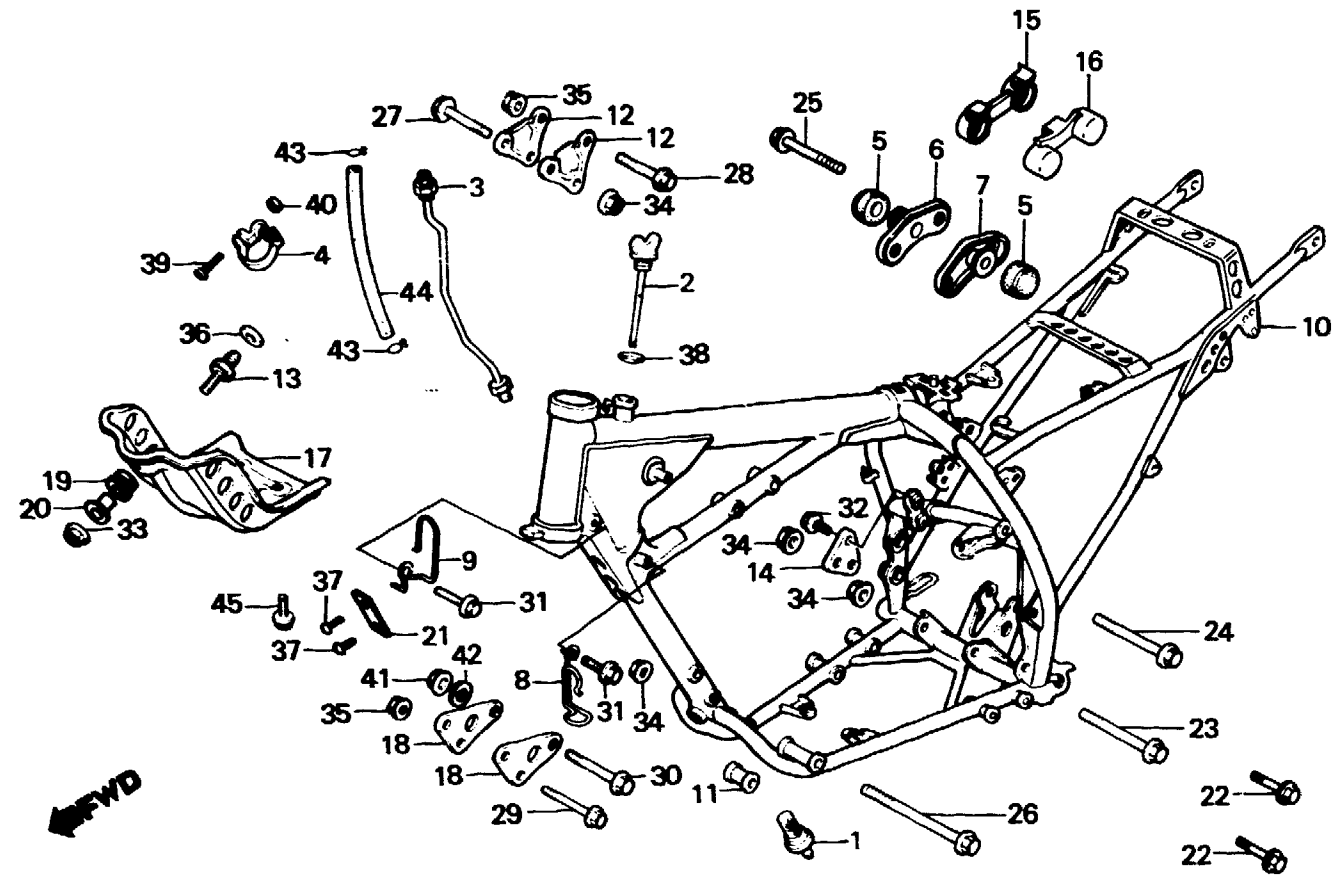
F-26

Frame body

Cadre

Rahmen

Cuerpo de cuadro



BMG2-57A

Service item	F.R.T.	Ref. No.	Part No.	Description	Reqd. No. XL600						Serial No.	Area code
					Rd	Ld	RE	LE	Rf	Lf		
		21	87501-MG2-600	PLATE, REGISTERED NUMBER	1				1		AR,B,E,ED,F,G IT,SD,SW,2G	
			87501-MG2-730	PLATE, REGISTERED NUMBER		1				1		
		22	90101-190-000	BOLT, FLANGE, 6X25	2	2	2	2	2	2		
		23	90104-MG3-000	BOLT, FLANGE, 10X110	1	1	1	1	1	1		
		24	90105-MG3-000	BOLT, FLANGE, 10X110	1	1	1	1	1	1		
		25	90111-KF0-000	BOLT, FLANGE, 8X60		2		2		2		
		26	90114-MG3-000	BOLT, FLANGE, 10X185	1	1	1	1	1	1		
		27	90153-KF0-000	BOLT, FLANGE, 10X55	1	1	1	1	1	1		
		28	90154-MG3-000	BOLT, FLANGE, 8X55	2	2	2	2	2	2		
		29	90156-MG3-000	BOLT, FLANGE, 8X70	2	2	2	2	2	2		
		30	90158-MG3-000	BOLT, FLANGE, 10X70	1	1	1	1	1	1		
		31	90170-MG3-000	BOLT, FLANGE, 6X10	2	2	2	2	2	2		
		32	90213-KF0-000	BOLT, FLANGE, 8X16	2	2	2	2	2	2		
		33	90301-693-000	NUT, OPEN STAY, 6MM	1	1	1	1	1	1		
		34	90308-382-670	NUT, FLANGE, 10MM	4	4	4	4	4	4		
		35	90309-357-000	NUT, UBS, 8MM	4	4	4	4	4	4		

N 3

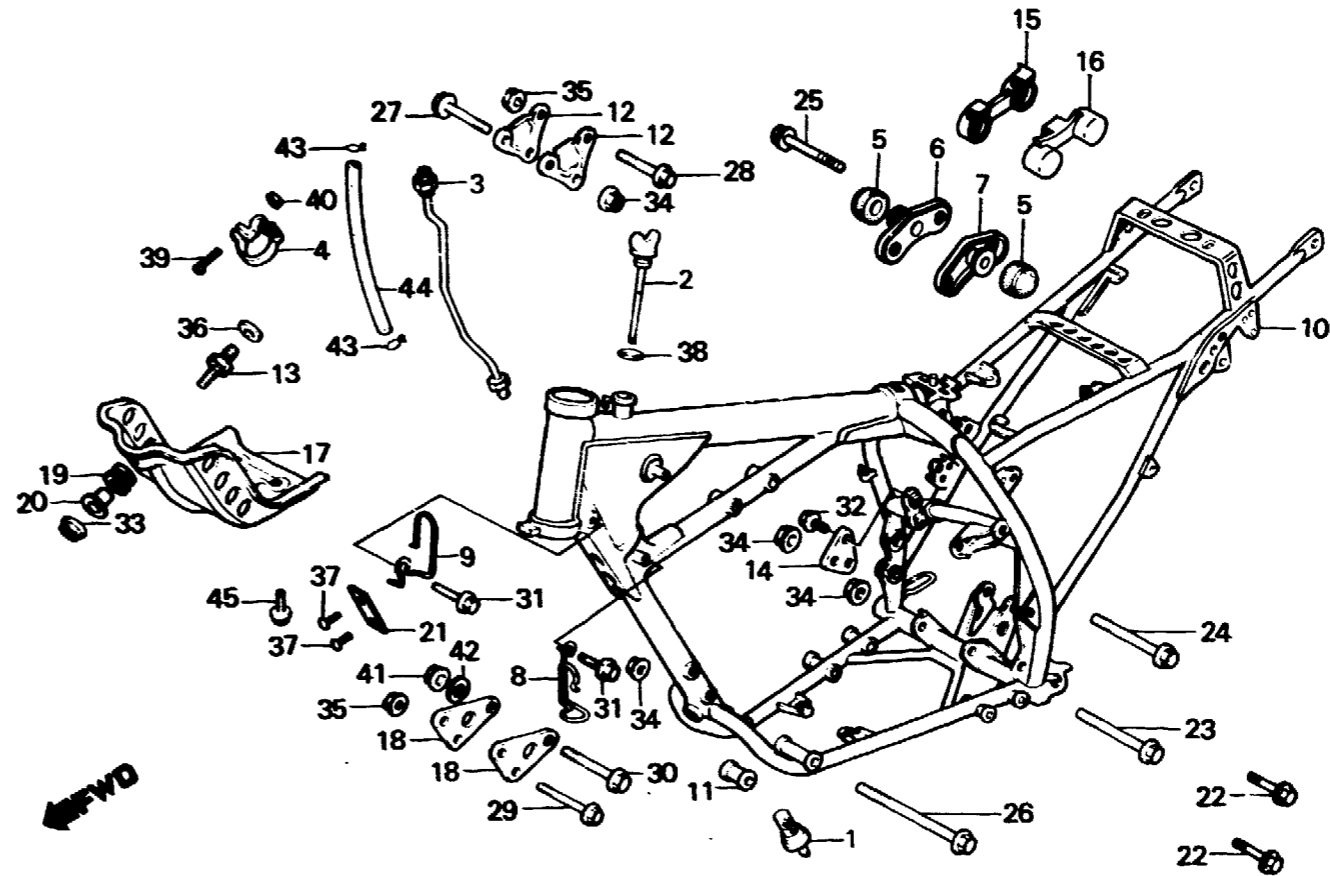
F-26

Frame body

Cadre

Rahmen

Cuerpo de cuadro



BMG2-57A

Service item	F.R.T.	Ref. No.	Part No.	Description	Reqd. No. XL600						Serial No.	Area code
					Rd	Ld	Re	Le	Rf	Lf		
		36	90481-463-000	WASHER, 10.2MM	1	1	1	1	1	1		
		37	90841-001-000	SCREW, RIVET, 1.5X5	2	2		2	2	2		AR,B,E,ED,F,IT G,SD,SW CM,2G
		38	91307-035-000	O-RING, 18X3	1	1	1	1	1	1		
		39	93891-05018-10	SCREW-WASHER, 5X18	1	1	1	1	1	1		
		40	94002-05000-0S	NUT, HEX., 5MM	1	1	1	1	1	1		
		41	94030-10200	NUT, HEX., 10MM	1	1	1	1	1	1		
		42	94101-10000	WASHER, PLAIN, 10MM					1	1		
		43	95002-02120	CLIP B12, TUBE	2	2			2	2		B,CM,E,ED,F,G IT,SA,SD,SW,U AR,2G
			95002-02100	CLIP B10, TUBE	2				2	2		AR,2G B,CM,E,ED,F,G IT,SA,SD,SW,U
		44	95005-75320-10	TUBE, 7.5X320	1	1	1	1	1	1		
		45	96000-06018-00	BOLT, FLANGE, 6X18	2	2	2	2	2	2		

N 4

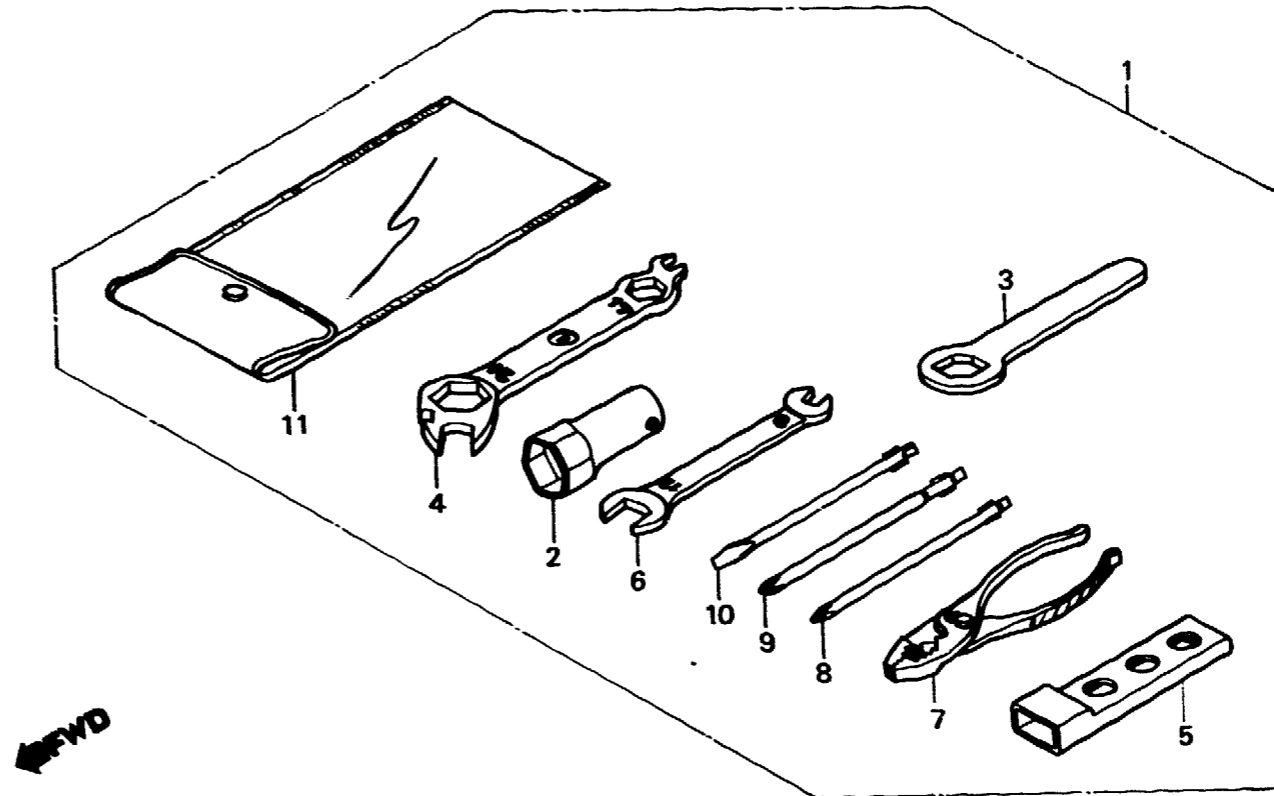
F-27

Tool

Outils

Werkzeug

Herramientas



BMG2-44A

Service item	F.R.T.	Ref. No.	Part No.	Description	Reqd. No. XL600						Serial No.	Area code
					Rd	Ld	RE	LE	Rf	Lf		
		1	89010-MG2-000	TOOL SET	1	1						B,CM,E,ED,F,G IT,SA,SD,SW,U
			89010-MG2-870	TOOL SET	1					1		AR,2G B,CM,E,ED,F,G IT,SA,SD,SW,U
		2	89216-MB0-000	WRENCH, PLUG	1	1	1	1	1	1		
		3	89218-431-670	WRENCH, EYE, 17MM	1					1		AR,2G B,CM,E,ED,F,G IT,SA,SD,SW,U
		4	89225-MG2-000	WRENCH, COMPLEX	1	1	1	1	1	1		
		5	89226-MG2-000	HANDLE, COMPLEX WRENCH	1	1	1	1	1	1		
		6	99001-08120	SPANNER, 8X12	1	1	1	1	1	1		
		7	99002-13500	PLIERS, 135	1	1	1	1	1	1		
		8	99003-10000	DRIVER 2, PLUS SCREW	1	1	1	1	1	1		
		9	99003-20000	DRIVER 2, PLUS SCREW	1	1	1	1	1	1		

N 5

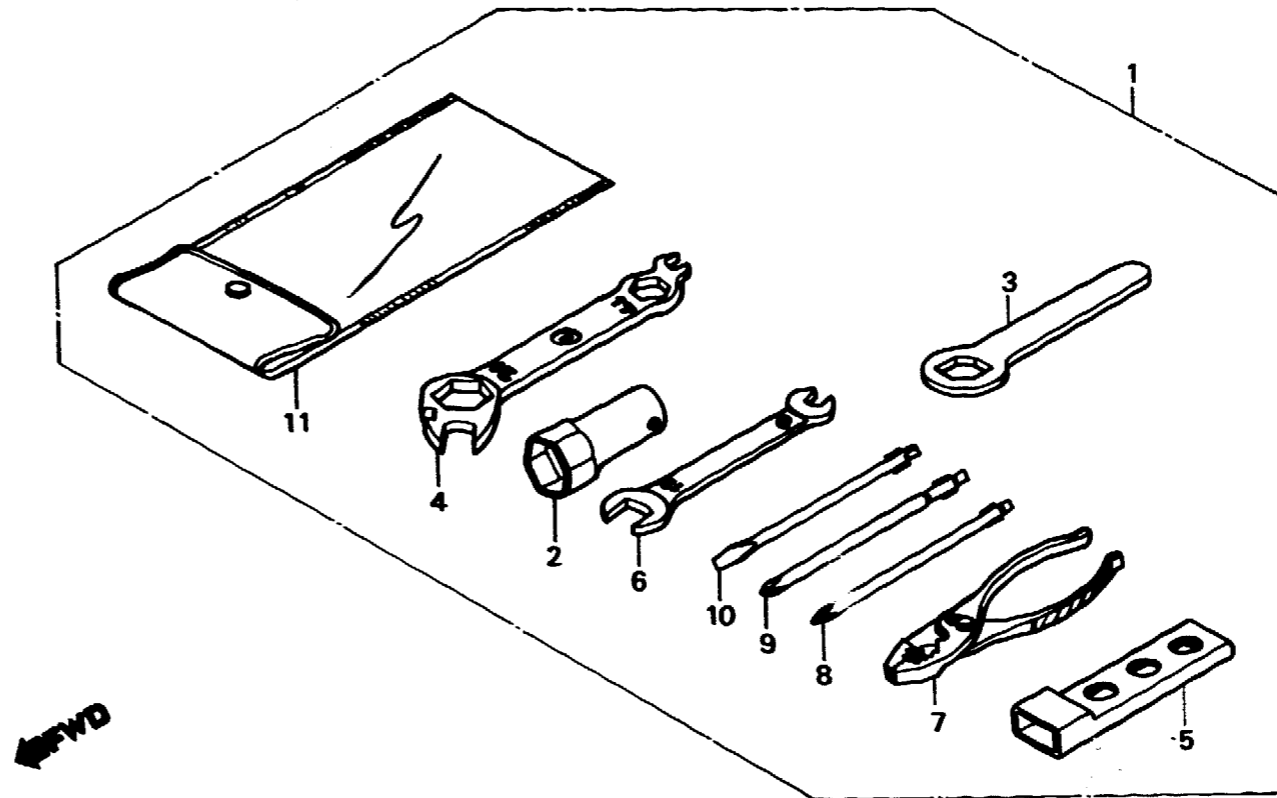
F-27

Tool

Outils

Werkzeug

Herramientas



NEW

BMG2-44A

Service item	F.R.T.	Ref. No.	Part No.	Description	Reqd. No. XL600						Serial No.	Area code
					Rd	Ld	Re	Le	Rf	Lf		
		10	99003-30000	DRIVER 2, MINUS SCREW	1	1	1	1	1	1		
		11	99008-02000	BAG, TOOL, 200MM	1	1	1	1	1	1		

1984.10.20

E

N5

N 6

F-28

Stripe
(XL600Rd • RE • LD)

Rayure
(XL600Rd • RE • LD)

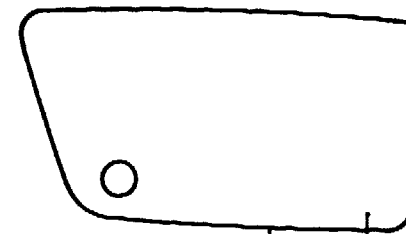
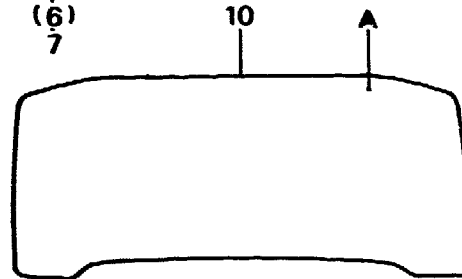
Streifen
(XL600Rd • RE • LD)

Franja
(XL600Rd • RE • LD)

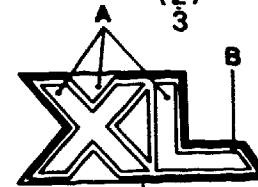
**PARIS
DAKAR**



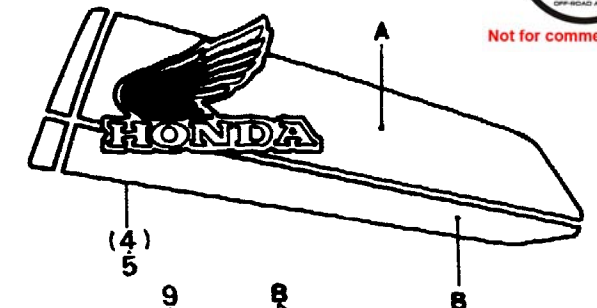
(6)
7



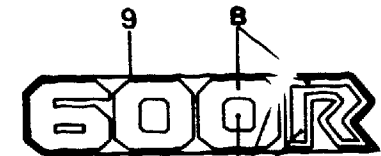
(2)
3



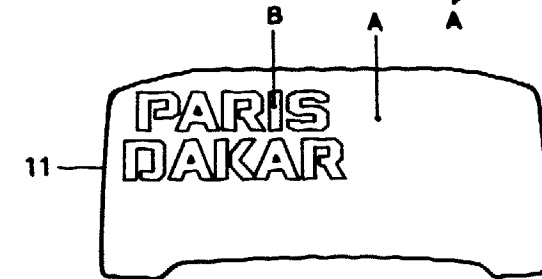
8



(4)
5



B



Not for commercial use

BMG2-58

Service item	F.R.T.	Ref. No.	Part No.	Description	Reqd. No. XL600						Serial No.	Area code
					Rd	Ld	RE	LE	Rf	Lf		
		1	17505-KB9-700	EMBLEM, FUEL TANK		2						
		2	83601-MG2-300ZA	MARK, R. SIDE COVER *TYPE-1*	1		1					
			83601-MG2-300ZB	MARK, R. SIDE COVER *TYPE 2*	1							AR,B,E,ED,F,G IT,SA,SD,SW,U
			83601-MG2-300ZC	MARK, R. SIDE COVER *TYPE 3*		1						
		3	83602-MG2-300ZA	MARK, L. SIDE COVER *TYPE-1*	1		1					
			83602-MG2-300ZB	MARK, L. SIDE COVER *TYPE 2*	1							AR,B,E,ED,F,G IT,SA,SD,SW,U
			83602-MG2-300ZC	MARK, L. SIDE COVER *TYPE 3*		1						
		4	87111-MG2-600ZA	STRIPE, R. FUEL TANK *TYPE 1*	1							AR,B,E,ED,F,G IT,SA,SD,SW,U
			87111-MG2-600ZB	STRIPE, R. FUEL TANK *TYPE 2*	1							AR,B,E,ED,F,G IT,SA,SD,SW,U
		5	87112-MG2-600ZA	STRIPE, L. FUEL TANK *TYPE 1*	1							AR,B,E,ED,F,G IT,SA,SD,SW,U
			87112-MG2-600ZB	STRIPE, L. FUEL TANK *TYPE 2*	1							AR,B,E,ED,F,G IT,SA,SD,SW,U

Color chart for side cover mark

Type of mark	Fuel tank main color	Position	A
TYPE 1	Monza red Cortina white		Mat black
TYPE 2	Black		Gray
TYPE 3	Monza red		Cortina white

Color chart for fuel tank stripe (XL600Rb)

Type of stripe	Fuel tank main color	Position	A	B
TYPE 1	Cortina white		Red	Gray
TYPE 2	Black		Gray	Red

N 7

F-28

Stripe
(XL600Rd • RE • Ld)

Rayure
(XL600Rd • RE • Ld)

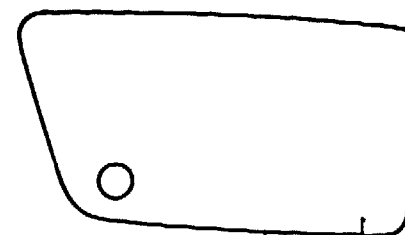
Streifen
(XL600Rd • RE • Ld)

Franja
(XL600Rd • RE • Ld)

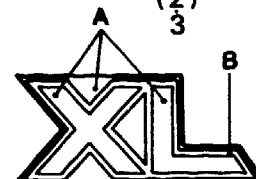
**PARIS
DAKAR**



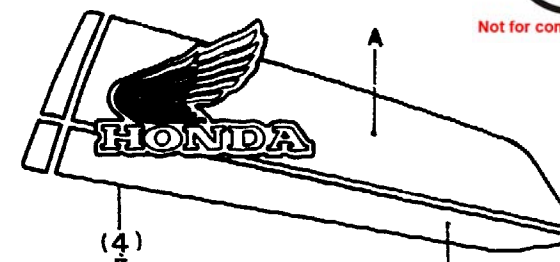
(6)
7



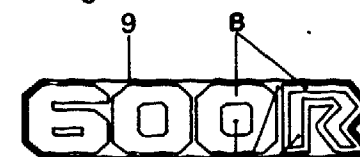
(2)
3



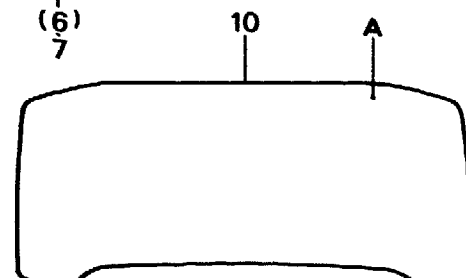
8



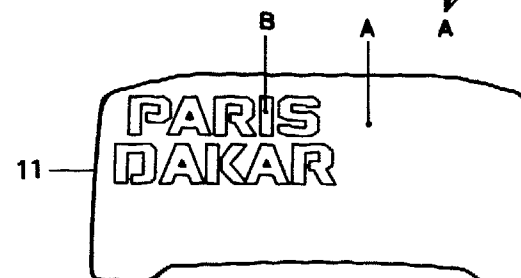
(4)
5



9



10



11



BMG2-58

Service item	F.R.T.	Ref. No.	Part No.	Description	Reqd. No.						Serial No.	Area code
					Rd	Ld	XL600 RE	LE	Rf	Lf		
		6	87123-MG2-300	MARK, R. FUEL TANK	1		1					
			87123-MG2-730	MARK, R. FUEL TANK		1						
		7	87124-MG2-300	MARK, L. FUEL TANK	1		1					
			87124-MG2-730	MARK, L. FUEL TANK			1					
		8	87125-MG2-600ZA	EMBLEM, FR. FENDER *TYPE 2*	1							AR,B,E,ED,F,G
			87125-MG2-600ZB	EMBLEM, FR. FENDER *TYPE 3*	1							IT,SA,SD,SW,U
		9	87126-MG2-300ZA	EMBLEM, SIDE COVER *TYPE-1*	2	2						AR,B,E,ED,F,G
			87126-MG2-300ZB	EMBLEM, SIDE COVER *TYPE 2*	2							IT,SA,SD,SW,U
			87126-MG2-300ZC	EMBLEM, SIDE COVER *TYPE 3*	2							
			87126-MG2-870	EMBLEM, SIDE COVER			2					
		10	87129-MG2-300ZA	MARK, FR. VISOR *TYPE 1*	1		1					

Color chart for front fender emblem (XL600Rd)

Type of emblem	Fuel tank main color	Position	
		A	B
TYPE 2	Cortina white	Cortina white	Black
TYPE 3	Black	Black	Gray

Color chart for side cover emblem

Type of emblem	Fuel tank main color	Position	
		A	B
TYPE 1	Monza red	Monza red	White
TYPE 2	Cortina white	Cortina white	Black
TYPE 3	Black	Black	Gray

N 8

F-28

Stripe
(XL600Rd • RE • Ld)

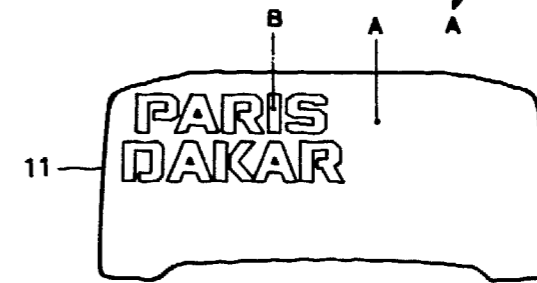
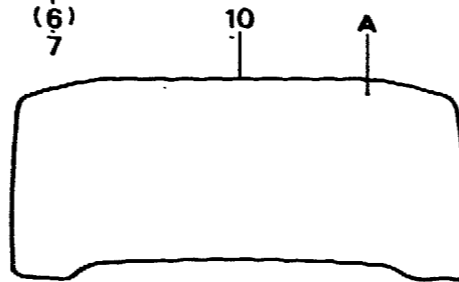
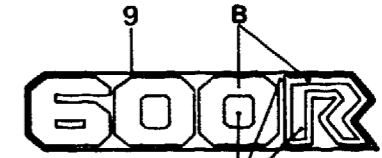
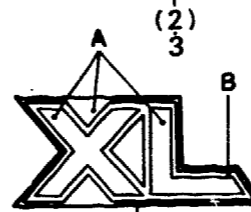
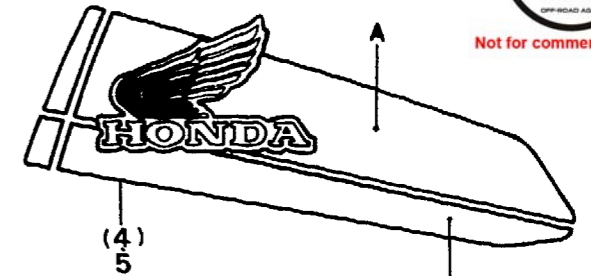
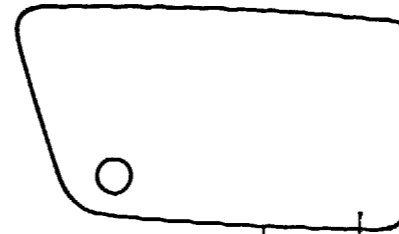
Rayure
(XL600Rd • RE • Ld)

Streifen
(XL600Rd • RE • Ld)

Franja
(XL600Rd • RE • Ld)



PARIS
DAKAR



BMG2-58

Service item	F.R.T.	Ref. No.	Part No.	Description	Reqd. No.				Serial No.	Area code
					Rd	Ld	RE	LE		

87129-MG2-300ZB MARK, FR. VISOR *TYPE 2*

1

AR,B,E,ED,F,G
IT,SA,SD,SW,U

11 87129-MG2-730ZA MARK, FR. VISOR *TYPE 3*

1

Color chart for front visor mark (XL600Ro)

Type of mark	Fuel tank main color	Position	A
TYPE 1	Monza red Cortina white		Mat black
TYPE 2	Black		Gray

Color chart for front visor mark (XL600Lo)

Type of mark	Fuel tank main color	Position	A	B
TYPE 3	Monza red		Cortina white	Black

1984.10.20

E

N8

N 9



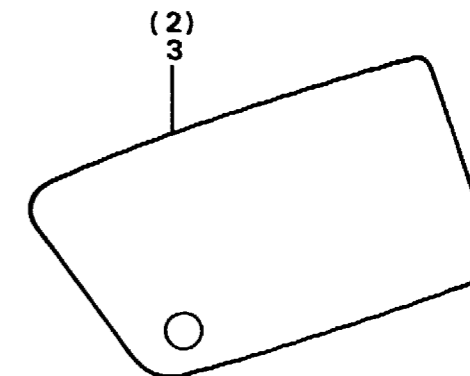
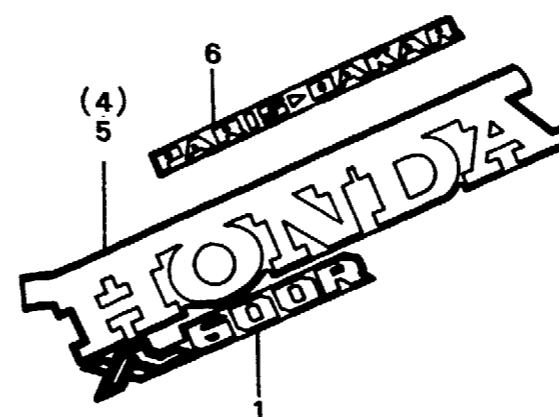
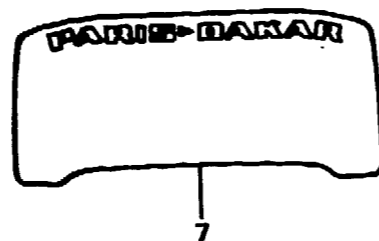
F-28-1

Stripe
(XL600LE • LF)

Rayure
(XL600LE • LF)

Streifen
(XL600LE • LF)

Franja
(XL600LE • LF)



BMG2-63A

Service item	F.R.T.	Ref. No.	Part No.	Description	Reqd. No.						Serial No.	Area code	
					Rd	Ld	RE	LE	Rf	Lf			
		1	17505-MG2-830	EMBLEM, FUEL TANK						2	2		
		2	83601-MG2-830	MARK, R. SIDE COVER						1	1		
		3	83602-MG2-830	MARK, L. SIDE COVER						1	1		
		4	87113-MG2-830	STRIPE, R. FUEL TANK						1	1		
		5	87114-MG2-830	STRIPE, L. FUEL TANK						1	1		
		* 6	87115-MG2-830	EMBLEM B, FUEL TANK						2	2		
		7	87129-MG2-830	MARK, FR. VISOR						1	1		

N 10

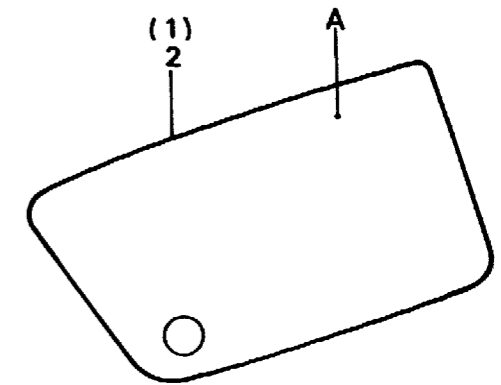
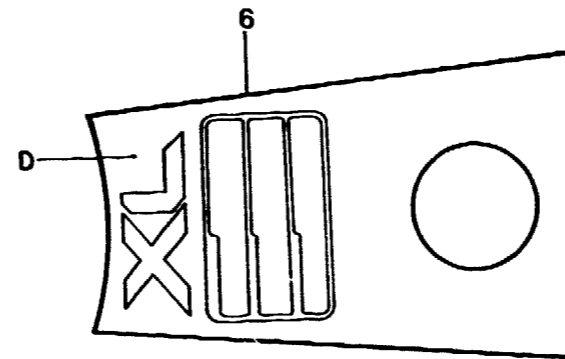
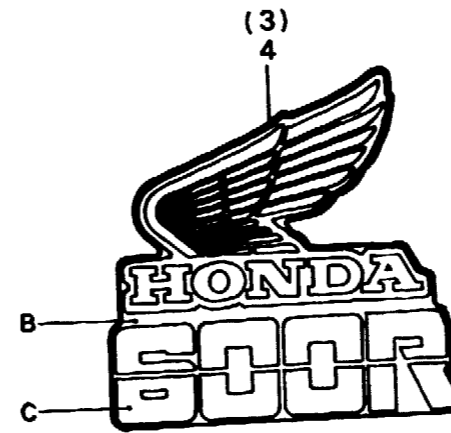
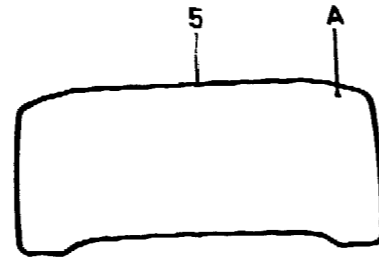
F-28-2

**Stripe
(XL600Rf)**

**Rayure
(XL600Rf)**

**Streifen
(XL600Rf)**

**Franja
(XL600Rf)**



BMG2-64

Service item	F.R.T.	Ref. No.	Part No.	Description	Reqd. No. XL600						Serial No.	Area code
					Rd	Ld	Re	Le	Rf	Lf		
		* 1	83601-MG2-610ZA	MARK, R. SIDE COVER *TYPE 1*						1		AR,B,E,ED,F,G IT,SA,SD,SW,U 2G
		*	83601-MG2-610ZB	MARK, R. SIDE COVER *TYPE 2*						1		AR,B,E,ED,F,G IT,SA,SD,SW,U 2G
		*	83601-MG2-610ZC	MARK, R. SIDE COVER *TYPE 3*						1		AR,B,E,ED,F,G IT,SA,SD,SW,U 2G
		* 2	83601-MG2-890ZA	MARK, R. SIDE COVER *TYPE 5*						1		CM
		*	83602-MG2-610ZA	MARK, L. SIDE COVER *TYPE 1*						1		AR,B,E,ED,F,G IT,SA,SD,SW,U 2G
		*	83602-MG2-610ZB	MARK, L. SIDE COVER *TYPE 2*						1		AR,B,E,ED,F,G IT,SA,SD,SW,U 2G
		*	83602-MG2-610ZC	MARK, L. SIDE COVER *TYPE 3*						1		AR,B,E,ED,F,G IT,SA,SD,SW,U 2G

Color chart for side cover mark

Type	Main Color	Position	A
TYPE 1	Fighting red		White
TYPE 2	Shasta white		Blue
TYPE 3	Black		Fighting red
TYPE 5	Flash red		Bright yellow

N 11

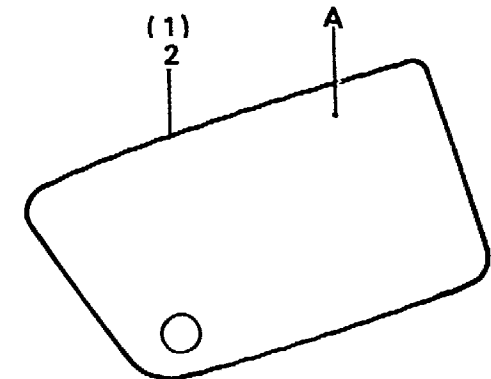
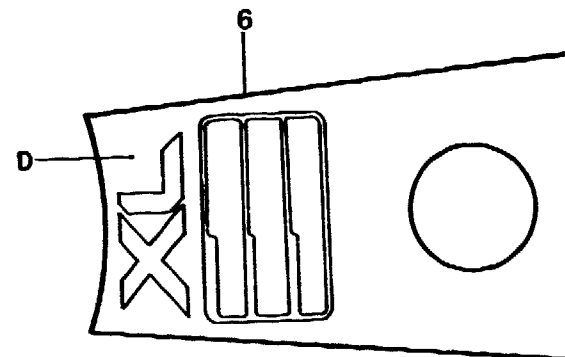
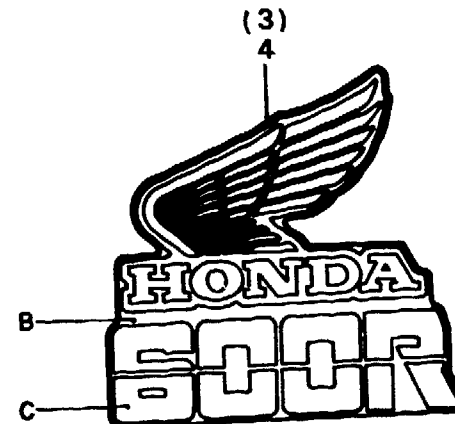
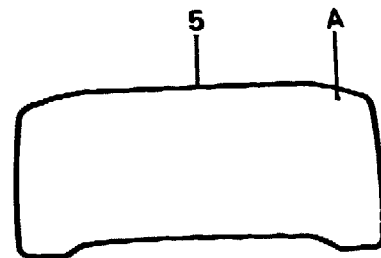
F-28-2

Stripe
(XL600Rf)

Rayure
(XL600Rf)

Streifen
(XL600Rf)

Franja
(XL600Rf)



BMG2-64

Service item	F.R.T.	Ref. No.	Part No.	Description	Reqd. No. XL600						Serial No.	Area code
					Rd	Ld	Re	Le	Rf	Lf		
		*	83602-MG2-890ZA	MARK, L. SIDE COVER *TYPE 5*						1		CM
		* 3	87123-MG2-610	MARK, R. FUEL TANK (TYPE 2)						1		AR,B,E,ED,F,G IT,SA,SD,SW,U 2G
		*	87123-MG2-710ZA	MARK, R. FUEL TANK *TYPE 1*						1		AR,B,E,ED,F,G IT,SA,SD,SW,U 2G
		*	87123-MG2-710ZB	MARK, R. FUEL TANK *TYPE 3*						1		AR,B,E,ED,F,G IT,SA,SD,SW,U 2G
		*	87123-MG2-890	MARK, R. FUEL TANK						1		CM
		* 4	87124-MG2-610	MARK, L. FUEL TANK (TYPE 2)						1		AR,B,E,ED,F,G IT,SA,SD,SW,U 2G
		*	87124-MG2-710ZA	MARK, L. FUEL TANK *TYPE 1*						1		AR,B,E,ED,F,G IT,SA,SD,SW,U 2G

Color chart for fuel tank mark

Type	Main Color	Position	
		B	C
TYPE 1	Fighting red	Fighting red	Blue
TYPE 2	Shasta white	87123-MG2-610 87124-MG2-610	
TYPE 3	Black	Black	Black

N 12

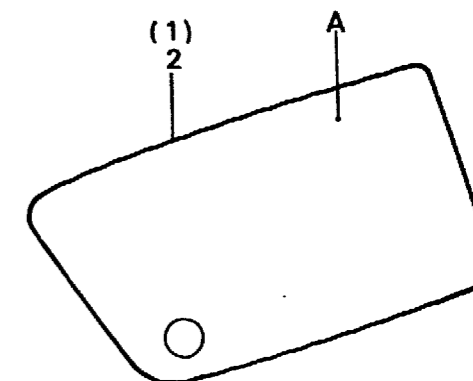
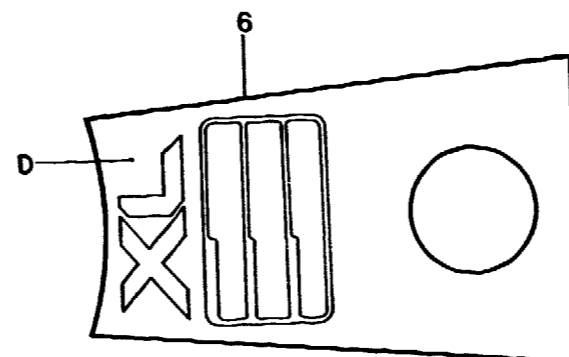
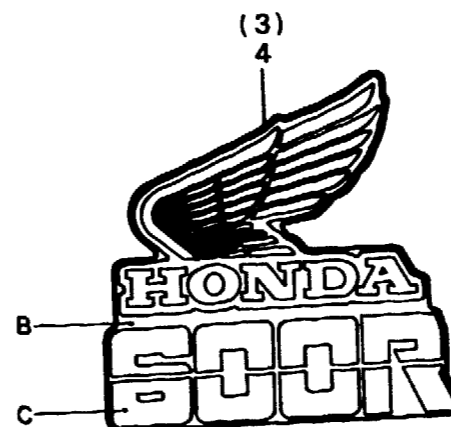
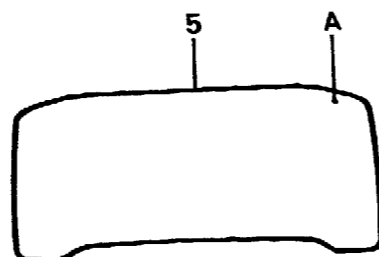
F-28-2

**Stripe
(XL600Rf)**

**Rayure
(XL600Rf)**

**Streifen
(XL600Rf)**

**Franja
(XL600Rf)**



BMG2-64

Service item	F.R.T.	Ref. No.	Part No.	Description	Reqd. No. XL600						Serial No.	Area code
					Rd	Ld	Re	Le	Rf	Lf		
		*	87124-MG2-710ZB	MARK, L. FUEL TANK *TYPE 3*						1		AR,B,E,ED,F,G IT,SA,SD,SW,U 2G
		*	87124-MG2-890	MARK, L. FUEL TANK						1		CM
		* 5	87129-MG2-610ZA	MARK, FR. VISOR *TYPE 1*						1		AR,B,E,ED,F,G IT,SA,SD,SW,U 2G
		*	87129-MG2-610ZB	MARK, FR. VISOR *TYPE 2*						1		AR,B,E,ED,F,G IT,SA,SD,SW,U 2G
		*	87129-MG2-610ZC	MARK, FR. VISOR *TYPE 3*						1		AR,B,E,ED,F,G IT,SA,SD,SW,U 2G
		*	87129-MG2-890ZA	SHEET, FR. VISOR *TYPE 4*						1		CM
		* 6	87560-MG2-700ZA	MARK, DRIVE CAUTION *TYPE 1*						1		AR,B,E,ED,G,IT SA,SD,SW,U,2G
		*	87560-MG2-700ZB	MARK, DRIVE CAUTION *TYPE 2*						1		AR,B,E,ED,G,IT SA,SD,SW,U,2G

Color chart for front visor mark

Type	Main Color	Position	A
TYPE 1	Fighting red		White
TYPE 2	Shasta white		Blue
TYPE 3	Black		Fighting red
TYPE 4	Flash red		Bright yellow

Color chart for drive caution mark

Type	Main Color	Position	D
TYPE 1	Fighting red		Blue-A
TYPE 2	Shasta white		Blue-B
TYPE 3	Black		Fighting red

N 13

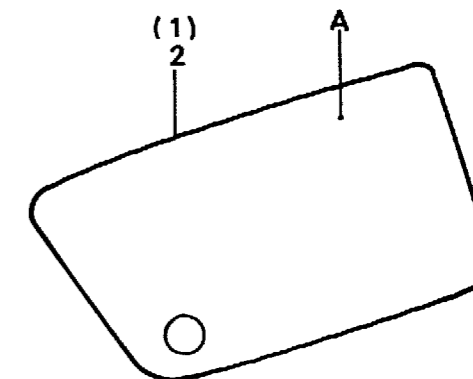
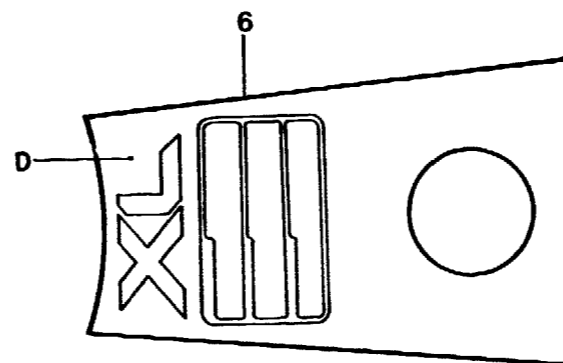
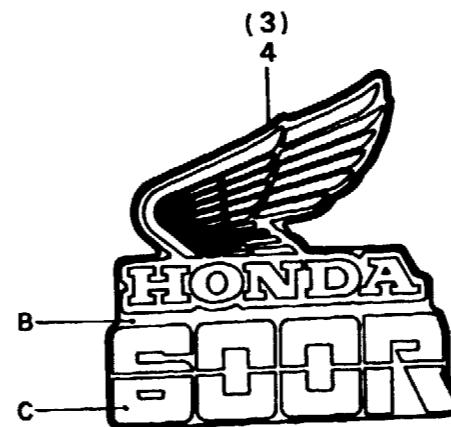
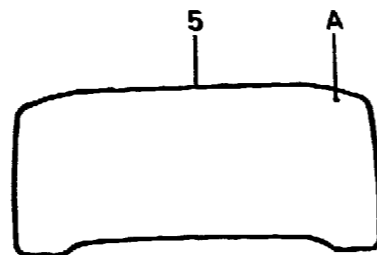
F-28-2

**Stripe
(XL600Rf)**

**Rayure
(XL600Rf)**

**Streifen
(XL600Rf)**

**Franja
(XL600Rf)**



BMG2-64

Service item	F.R.T.	Ref. No.	Part No.	Description	Reqd. No.						Serial No.	Area code
					Rd	Ld	Re	Le	Rf	Lf		
		*	87560-MG2-700ZC	MARK, DRIVE CAUTION *TYPE 3*							1	AR,B,E,ED,G,IT SA,SD,SW,U,2G
		*	87560-MG2-790ZA	MARK, DRIVE CAUTION *TYPE 1*							1	F
		*	87560-MG2-790ZB	MARK, DRIVE CAUTION *TYPE 2*							1	F
		*	87560-MG2-790ZC	MARK, DRIVE CAUTION *TYPE 3*							1	F