

**M 4**

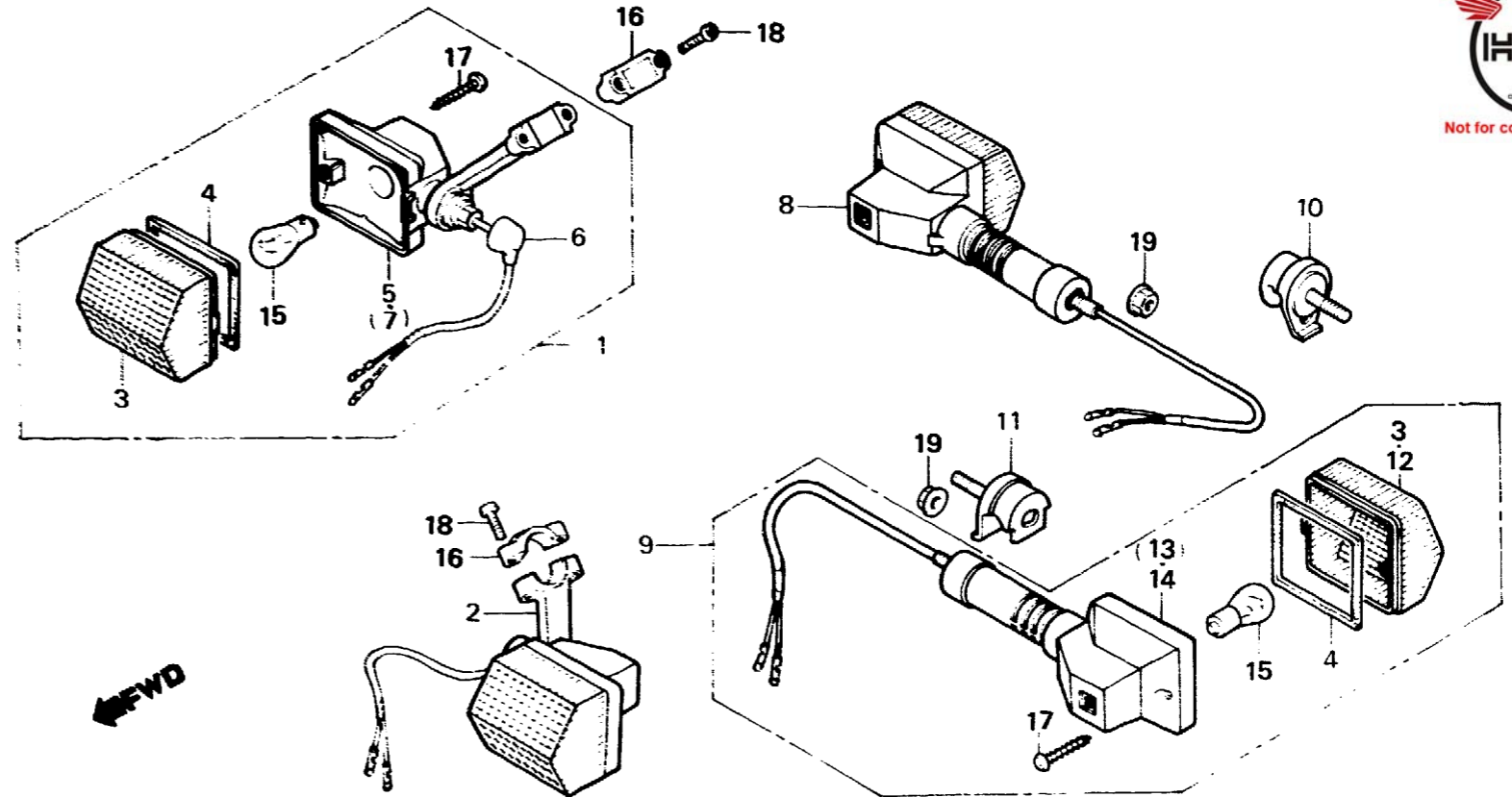
**F-23**

**Winker**  
(AR,B,CM,E,F,IT,SA,SD,U.)  
(XL600Rf-Ed)

**Clignotant**  
(AR,B,CM,E,F,IT,SA,SD,U.)  
(XL600Rf-Ed)

**Blinker**  
(AR,B,CM,E,F,IT,SA,SD,U.)  
(XL600Rf-Ed)

**Luz intermitente**  
(AR,B,CM,E,F,IT,SA,SD,U.)  
(XL600Rf-Ed)



BMG2-39

Service item	F.R.T.	Ref. No.	Part No.	Description	Reqd. No. XL600						Serial No.	Area code
					Rd	Ld	Re	Le	Rf	Lf		
		16	53103-428-000	HOLDER, WINKER STAY	2	2	2	2	2	2		AR,B,CM,E,F,IT SA,SD,U
		17	91901-MG2-003	SCREW, TAPPING, 3X25					2			ED
		18	93500-05016-0A	SCREW, PAN, 5X16					4			AR,B,CM,E,F,IT SA,SD,U
		19	94050-10000	NUT, FLANGE, 10MM					4			ED
									2			AR,B,CM,E,F,IT SA,SD,U
												ED

**M 5**

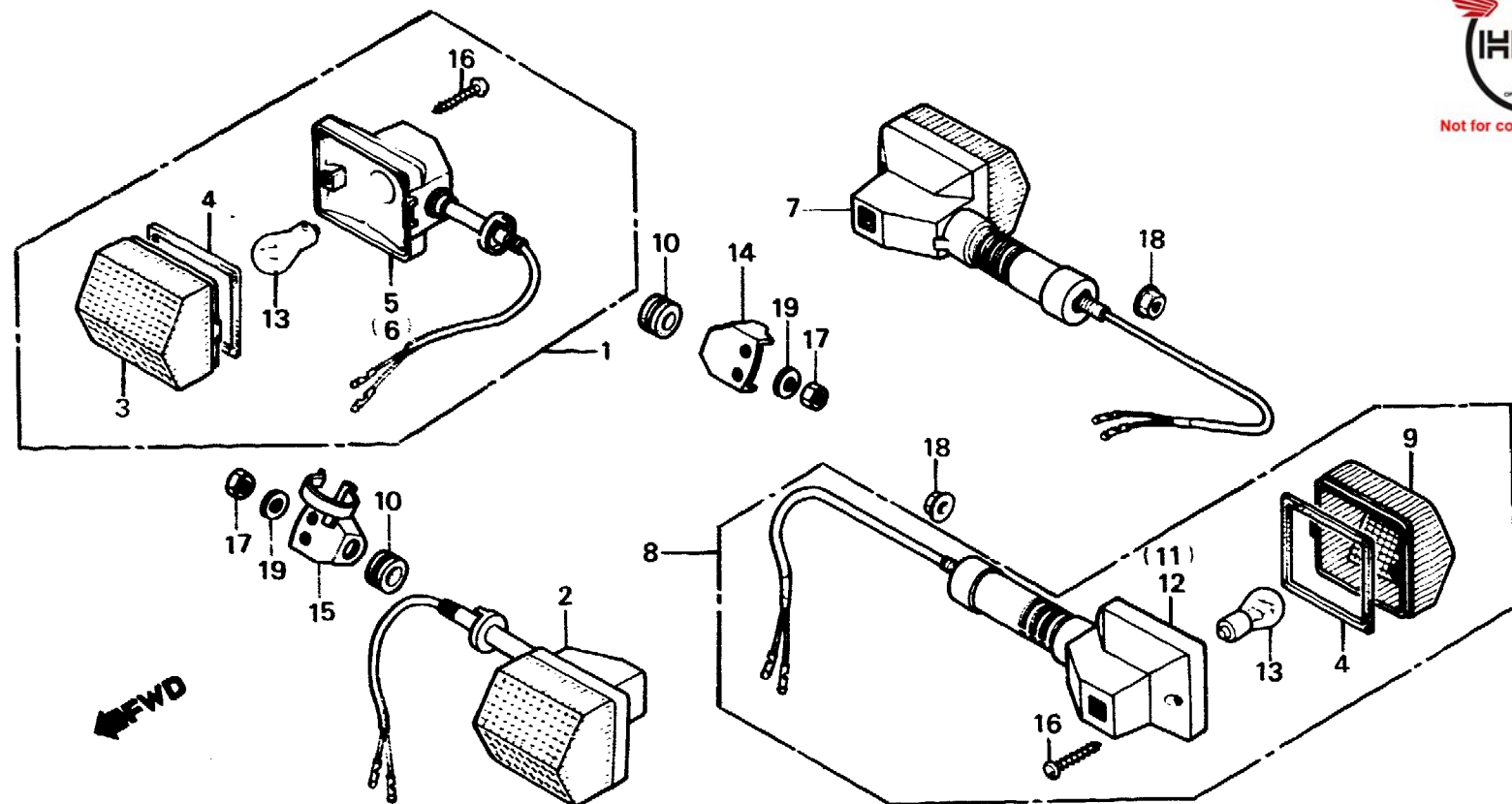
**F-23-1**

**Winker**  
(G,SW,2G,  
XL600Rd,LE-Ed)

**Clignotant**  
(G,SW,2G,  
XL600Rd,LE-Ed)

**Blinker**  
(G,SW,2G,  
XL600Rd,LE-Ed)

**Luz intermitente**  
(G,SW,2G,  
XL600Rd,LE-Ed)



BMG2-56

Service item	F.R.T.	Ref. No.	Part No.	Description	Reqd. No. XL600						Serial No.	Area code
					Rd	Ld	RE	LE	Rf	Lf		
WINKER SET (ADD 0.1 FOR EACH.) (INC. RELATIVE PART) (EXC. RELATED PARTS BELOW)	0.2	1	33300-MG2-611	WINKER SET, R. FR.	1			1				ED
		2	33350-MG2-611	WINKER SET, L. FR.	1			1	1			G,SW,2G ED
BULB (ONE OR ALL)	0.1	3	33402-MG2-003	LENS, WINKER	1			1	1			G,SW,2G ED
		4	33407-MG2-003	GASKET, LENS	2			2	2			G,SW,2G ED
		4	33407-MG2-003	GASKET, LENS	4			4	4			G,SW,2G ED
		5	33420-MG2-611	BASE COMP., R. FR. WINKER	4			4	4			G,SW,2G ED
		5	33420-MG2-611	BASE COMP., R. FR. WINKER	1			1	1			G,SW,2G ED
		6	33470-MG2-611	BASE COMP., L. FR. WINKER	1			1		1		ED G,SW,2G
		7	33500-MG2-601	WINKER SET, R. RR.	1			1				ED,SW G
		7	33500-MG2-611	WINKER SET, R. RR.	1				1			ED,SW G,SW,2G
8	33500-MG2-612	WINKER SET, R. RR.						1		ED,SW G,SW,2G		
8	33550-MG2-601	WINKER SET, L. RR.				1				ED,SW		

**M 6**

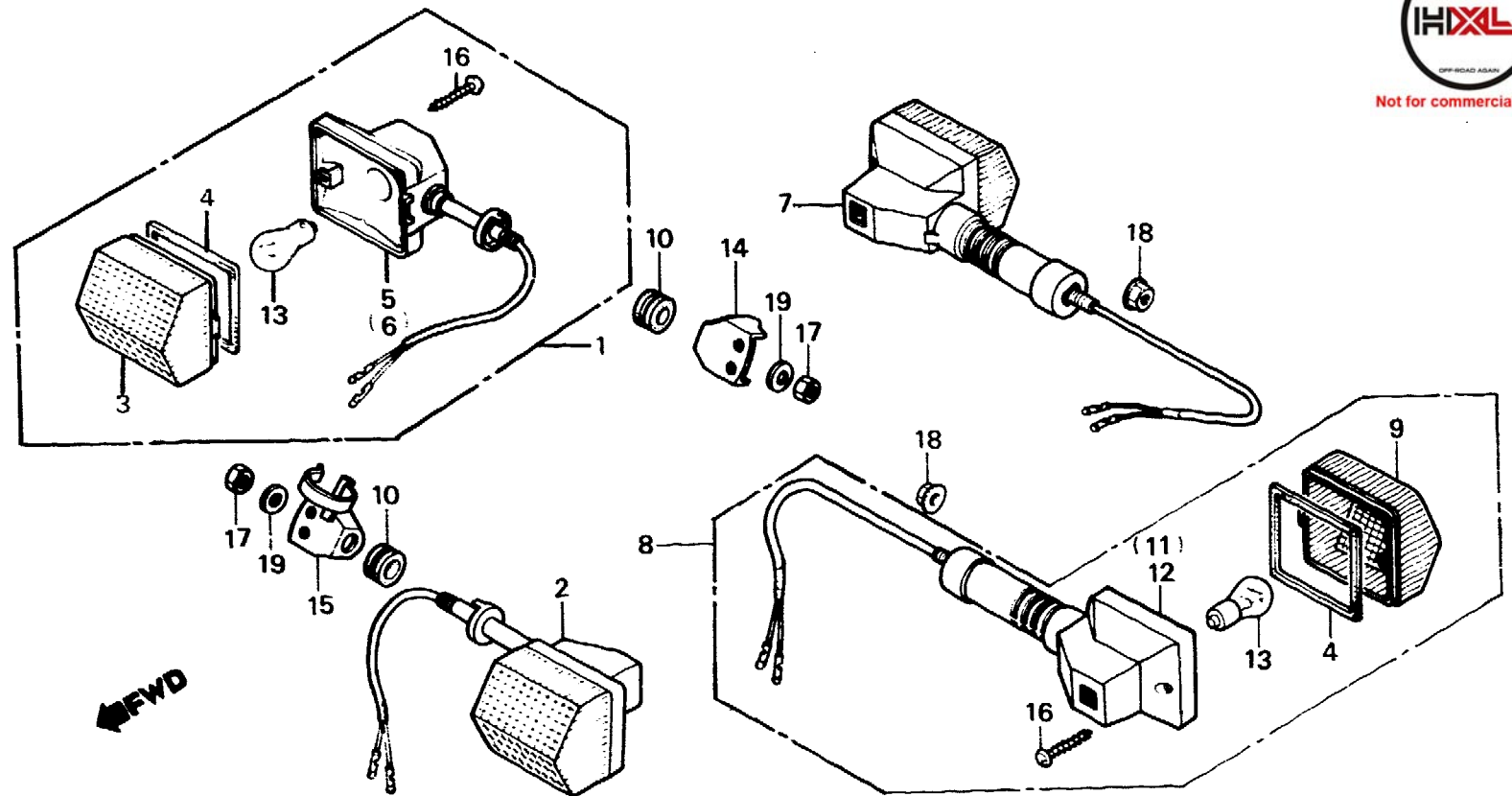
**F-23-1**

**Winker**  
(G,SW,2G,  
XL600Rd,LE-Ed)

**Clignotant**  
(G,SW,2G,  
XL600Rd,LE-Ed)

**Blinker**  
(G,SW,2G,  
XL600Rd,LE-Ed)

**Luz intermitente**  
(G,SW,2G,  
XL600Rd,LE-Ed)



BMG2-56

Service item	F.R.T.	Ref. No.	Part No.	Description	Reqd. No. XL600						Serial No.	Area code
					Rd	Ld	RE	LE	Rf	Lf		
			33550-MG2-611	WINKER SET, L. RR.	1							G
		*	33550-MG2-612	WINKER SET, L. RR.				1				ED,SW
		9	33602-MG2-601	LENS, WINKER	2			2	1			G,SW,2G
					2			2	2			ED
		10	33606-428-610	RUBBER, WINKER BOLT MOUNTING	2			2				G,SW,2G
					2			2	2			ED
												G,SW,2G
		11	33620-MG2-601	BASE COMP., R. RR. WINKER	1							ED,SW
			33620-MG2-602	BASE COMP., R. RR. WINKER	1							G
		*	33620-MG2-612	BASE COMP., R. RR. WINKER				1				ED,SW
		12	33670-MG2-601	BASE COMP., L. RR. WINKER	1				1			G,SW,2G
			33670-MG2-611	BASE COMP., L. RR. WINKER	1							ED,SW
												G
		*	33670-MG2-612	BASE COMP., L. RR. WINKER				1		1		ED,SW
												G,SW,2G

**M 7**

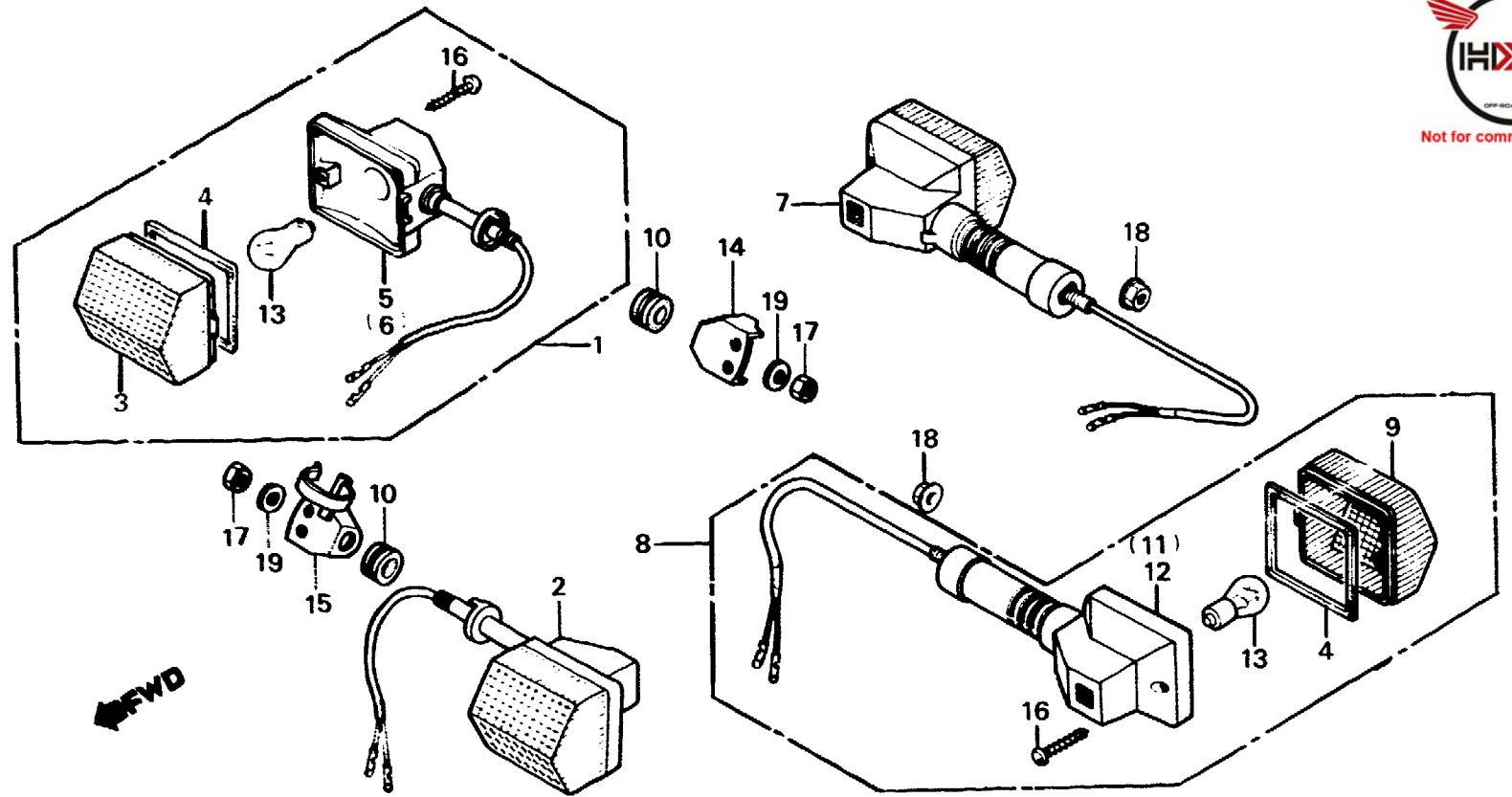
**F-23-1**

**Winker**  
(G,SW,2G,  
XL600Rd,LE-Ed)

**Clignotant**  
(G,SW,2G,  
XL600Rd,LE-Ed)

**Blinker**  
(G,SW,2G,  
XL600Rd,LE-Ed)

**Luz intermitente**  
(G,SW,2G,  
XL600Rd,LE-Ed)



BMG2-56

Service item	F.R.T.	Ref. No.	Part No.	Description	Reqd. No. XL600						Serial No.	Area code
					Rd	Ld	RE	LE	Rf	Lf		
		13	34908-634-611	BULB (12V21W)	4			4				ED
		14	53101-MG2-610	STAY, R. FR. WINKER SETTING	4			4	4			G,SW,2G
			53101-MG2-860	STAY, R. FR. WINKER SETTING	1				1			ED
		15	53102-MG2-610	STAY, L. FR. WINKER SETTING	1					1		G,SW,2G
			53102-MG2-860	STAY, L. FR. WINKER SETTING	1					1		ED,SW
		16	91901-MG2-003	SCREW, TAPPING, 3X25	4			4				ED
					4			4	4			G,SW,2G
		17	94002-10000-0S	NUT, HEX., 10MM	2			2				ED
					2			2	2			G,SW,2G
		18	94050-10000	NUT, FLANGE, 10MM	2			2				ED
					2			2	2			G,SW,2G
		19	94101-10000	WASHER, PLAIN, 10MM	2			2				ED
					2			2	2			G,SW,2G

M 8



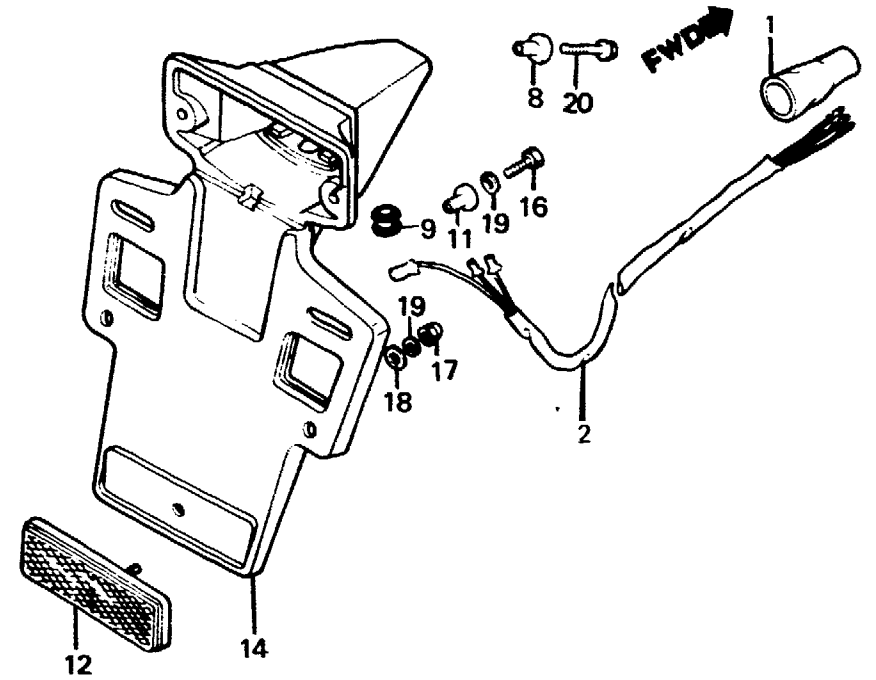
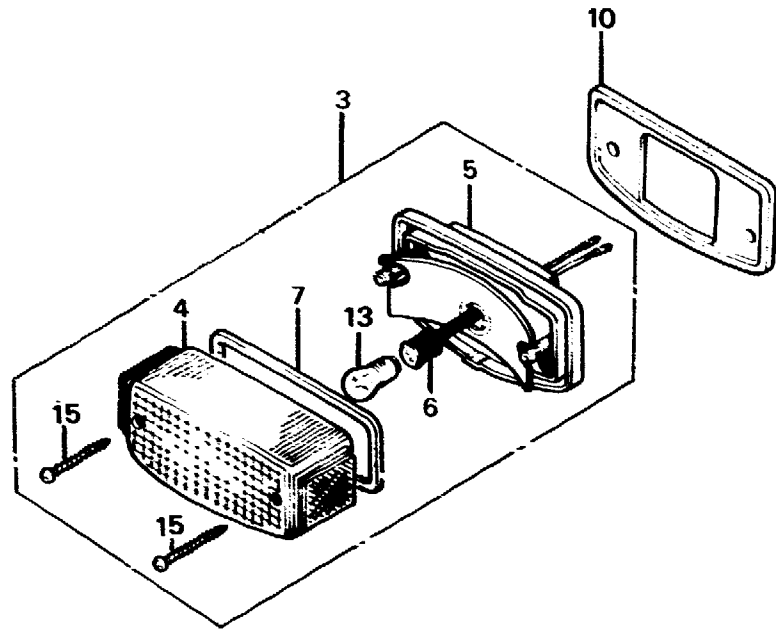
F-24

Taillight  
(CM)

Feu arrière  
(CM)

Rücklicht  
(CM)

Luz trasera  
(CM)



BMG2-28

Service item	F.R.T.	Ref. No.	Part No.	Description	Reqd. No. XL600						Serial No.	Area code
					Rd	Ld	RE	LE	Rf	Lf		
SUB CORD, TAILLIGHT	0.3	1	32108-0-6-000	COVER, WIRE HARNESS CONNECTOR	1		1		1			CM
TAILLIGHT UNIT	0.2	2	32200-MG2-000	SUB CORD, TAILLIGHT	1		1		1			CM
• BASE, TAILLIGHT		3	33701-MC4-671	TAILLIGHT UNIT (STANLEY)	1		1		1			CM
• CORD COMP., TAILLIGHT		4	33702-MC4-671	LENS, TAILLIGHT (STANLEY)	1		1		1			CM
• BRACKET, NUMBER PLATE		5	33703-MC4-671	BASE, TAILLIGHT	1		1		1			CM
BULB, TAILLIGHT	0.1	6	33708-147-003	CORD COMP., TAILLIGHT	1		1		1			CM
		7	33709-KB7-003	PACKING, TAILLIGHT LENS	1		1		1			CM
		8	33713-437-000	COLLAR, TAILLIGHT	3		3		3			CM
		9	33714-MG2-000	GROMMET, TAILLIGHT CORD	1		1		1			CM
		10	33718-MG2-000	PACKING, TAILLIGHT	1		1		1			CM
		11	33719-437-970	COLLAR, TAILLIGHT PACKING	2		2		2			CM
		12	33741-MC7-611	REFLECTOR, REFLEX	1		1					CM
			33741-MC7-612	REFLECTOR, REFLEX					1			CM
		13	34906-341-671	BULB, TAILLIGHT (12V32/3CP)	1							CM
			34906-425-771	BULB, TAILLIGHT (12V 32/3CP STANLEY)					1			CM
		14	84701-MG2-670	BRACKET, NUMBER PLATE	1		1		1			CM

**M 9**



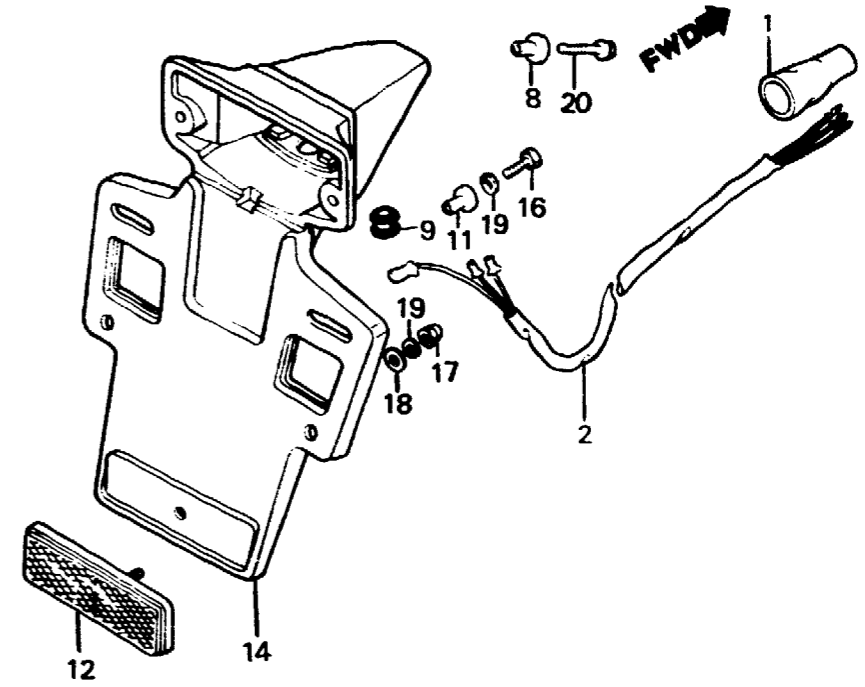
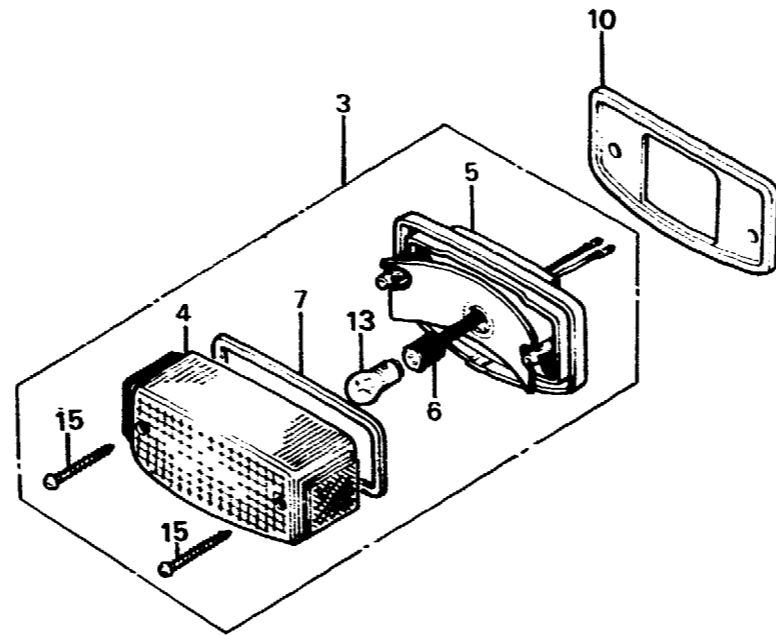
**F-24**

**Taillight  
(CM)**

**Feu arrière  
(CM)**

**Rücklicht  
(CM)**

**Luz trasera  
(CM)**



BMG2-28

Service item	F.R.T.	Ref. No.	Part No.	Description	Reqd. No.						Serial No.	Area code
					Rd	Ld	RE	LE	Rf	Lf		
		15	90105-GA7-003	SCREW, TAPPING, 4X40	2		2		2			CM
		16	92000-05025-0A	BOLT, HEX., 5X25	2		2		2			CM
		17	94021-05020-0S	NUT, CAP, 5MM	1		1		1			CM
		18	94101-05000	WASHER, PLAIN, 5MM	1		1		1			CM
		19	94111-05000	WASHER, SPRING, 5MM	3		3		3			CM
		20	96000-06016-00	BOLT, FLANGE, 6X16	3		3		3			CM



**M 10**



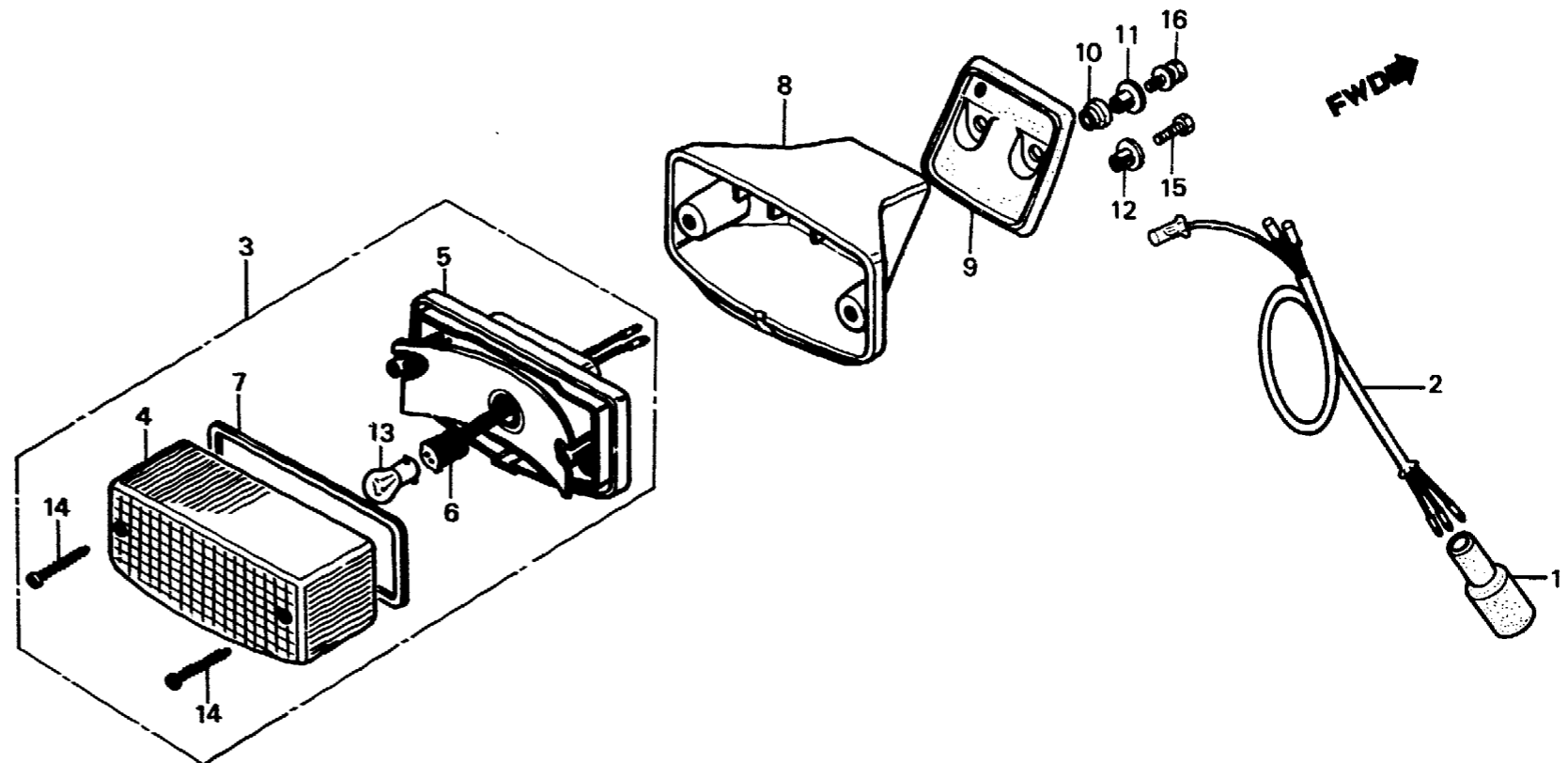
**F-24-1**

**Taillight**  
(AR,B,E,ED,F,G,IT,SA,SD,SW,U,2G)

**Feu arrière**  
(AR,B,E,ED,F,G,IT,SA,SD,SW,U,2G)

**Rücklicht**  
(AR,B,E,ED,F,G,IT,SA,SD,SW,U,2G)

**Luz trasera**  
(AR,B,E,ED,F,G,IT,SA,SD,SW,U,2G)



BMC4-30

Service item	F.R.T.	Ref. No.	Part No.	Description	Reqd. No. X1.600						Serial No.	Area code
					Rd	Ld	RE	LE	Rf	Lf		
SUB CORD, TAILLIGHT	0.3	1	32108-046-000	COVER, WIRE HARNESS CONNECTOR	1	1			1	1	1	AR,B,E,ED,F,G IT,SA,SD,SW,U 2G
TAILLIGHT UNIT	0.2											
• SOCKET COMP., TAILLIGHT		2	32200-MG2-000	SUB CORD, TAILLIGHT	1	1			1	1	1	AR,B,E,ED,F,G IT,SA,SD,SW,U 2G
• CORD COMP., TAILLIGHT												
• BRACKET, TAILLIGHT		3	33701-KB7-003	TAILLIGHT UNIT (STANLEY)	1					1		SA,U
BULB, STOP & TAILLIGHT	0.1		33701-MC4-601	TAILLIGHT UNIT (STANLEY)	1	1			1	1	1	B,E,ED,F,G,IT SD,SW,2G
			33701-MG2-942	TAILLIGHT UNIT	1					1		AR
		4	33702-KB7-003	LENS, TAILLIGHT (STANLEY)	1	1			1	1	1	B,E,ED,F,G,IT SA,SD,SW,U,2G
			33702-MG2-942	LENS, TAILLIGHT	1					1		AR
		5	33703-KB7-003	SOCKET COMP., TAILLIGHT	1					1		SA,U
			33703-MC4-601	SOCKET COMP., TAILLIGHT	1	1			1	1	1	AR,B,E,ED,F,G IT,SD,SW,2G
		6	33708-147-003	CORD COMP., TAILLIGHT	1	1			1	1	1	AR,B,E,ED,F,G IT,SA,SD,SW,U 2G

**M 11**



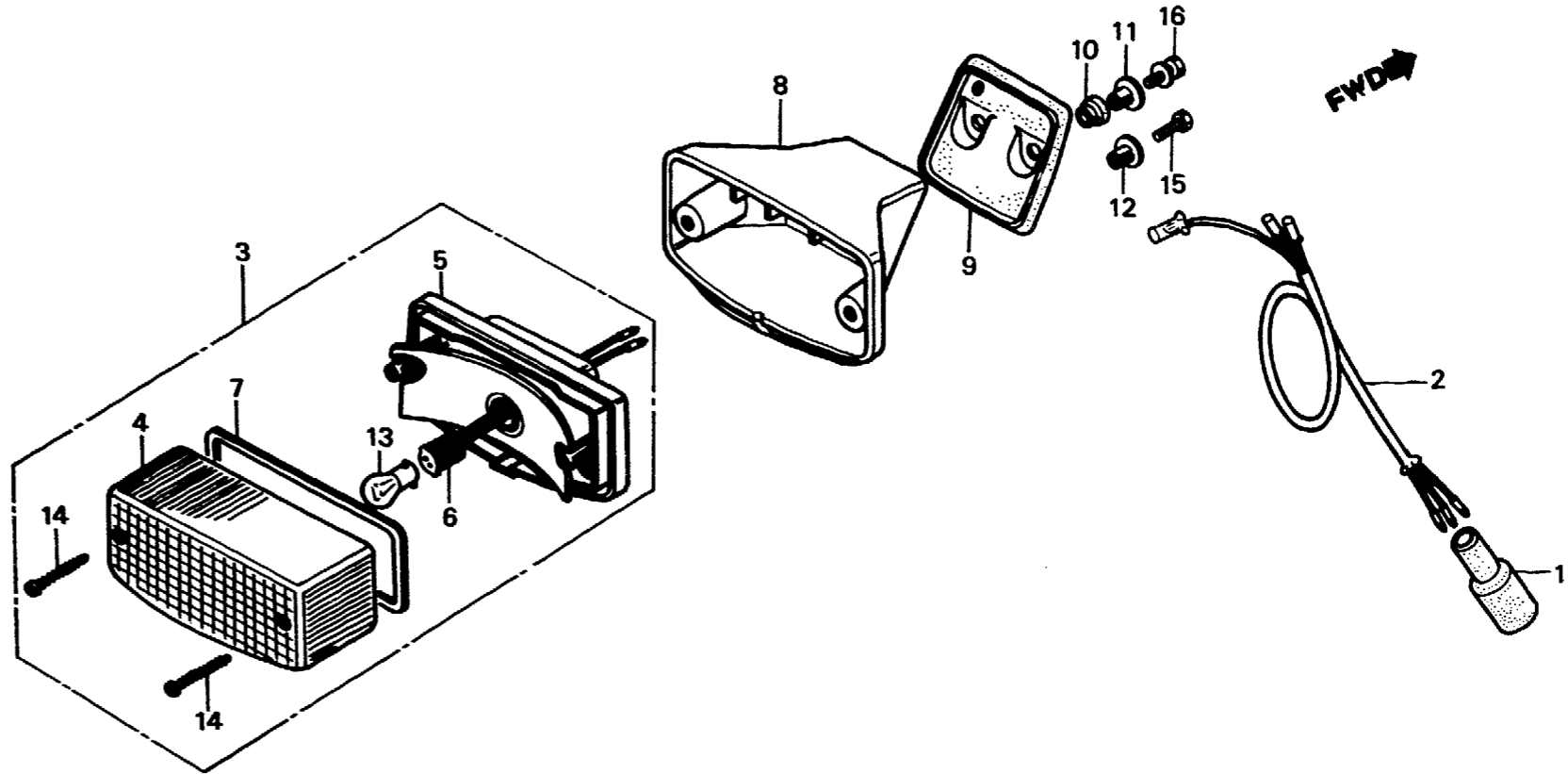
**F-24-1**

**Taillight**  
(AR,B,E,ED,F,G,IT,SA,SD,SW,U,2G)

**Feu arrière**  
(AR,B,E,ED,F,G,IT,SA,SD,SW,U,2G)

**Rücklicht**  
(AR,B,E,ED,F,G,IT,SA,SD,SW,U,2G)

**Luz trasera**  
(AR,B,E,ED,F,G,IT,SA,SD,SW,U,2G)



BMC4-30

Service item	F.R.T.	Ref. No.	Part No.	Description	Reqd. No. XL600						Serial No.	Area code
					Rd	Ld	Re	Le	Rf	Lf		
		7	33709-KB7-003	PACKING, TAILLIGHT LENS	1	1	1	1	1		AR,B,E,ED,F,G IT,SA,SD,SW,U 2G	
		8	33712-MC4-611	BRACKET, TAILLIGHT	1	1	1	1	1		AR,B,E,ED,F,G IT,SA,SD,SW,U 2G	
		9	33713-MC4-610	SEAT, TAILLIGHT BRACKET	1	1	1	1	1		AR,B,E,ED,F,G IT,SA,SD,SW,U 2G	
		10	33714-MC4-610	RUBBER, TAILLIGHT BRACKET	2	2	2	2	2		AR,B,E,ED,F,G IT,SA,SD,SW,U 2G	
		11	33715-MC4-610	COLLAR, TAILLIGHT SETTING	2	2	2	2	2		AR,B,E,ED,F,G IT,SA,SD,SW,U 2G	
		12	33719-437-970	COLLAR, TAILLIGHT PACKING	2	2	2	2	2		AR,B,E,ED,F,G IT,SA,SD,SW,U 2G	
		13	34906-313-671	BULB, STOP & TAILLIGHT (12V23/8W)	1				1		SA,U	



**M 12**



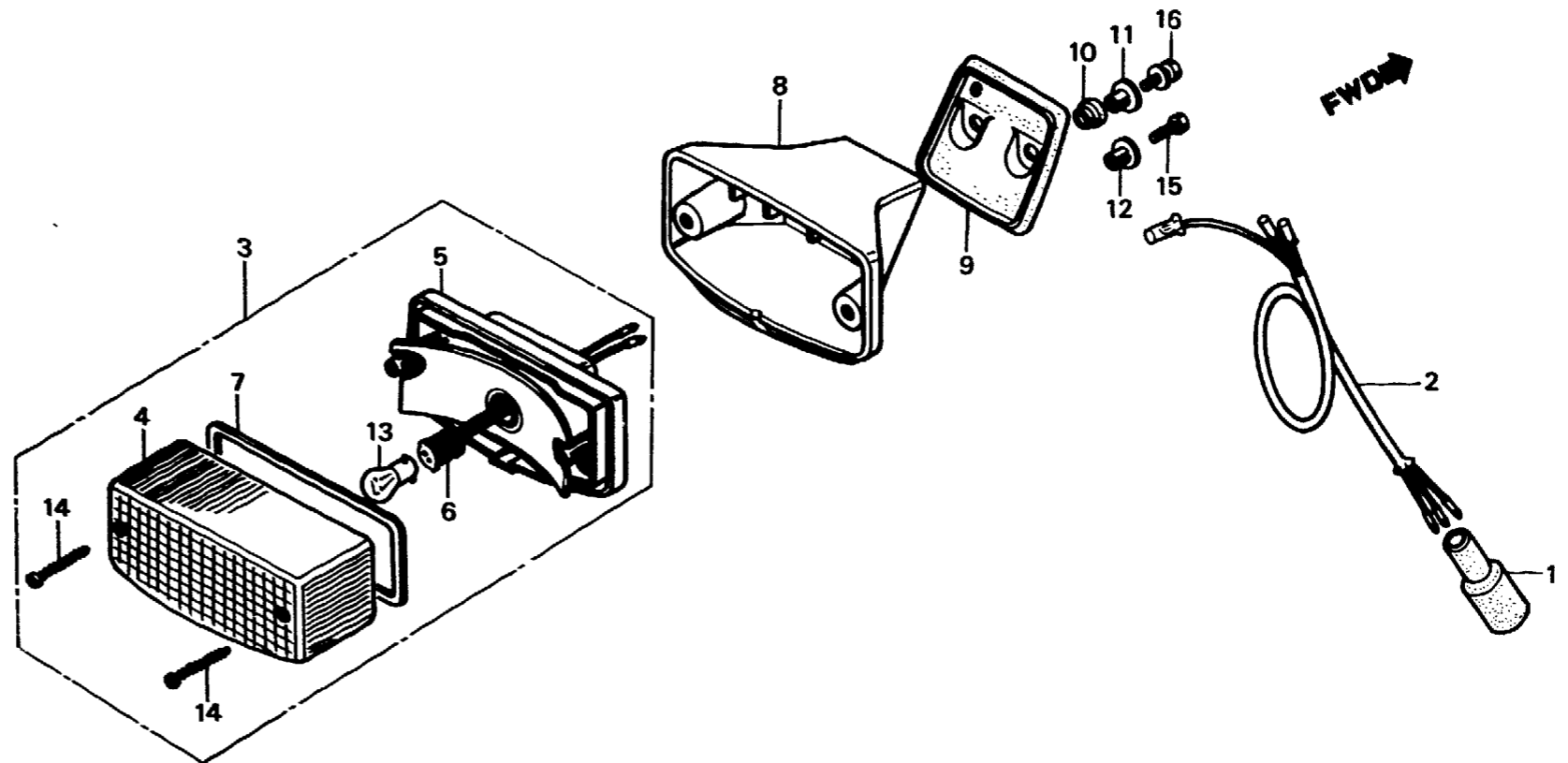
**F-24-1**

**Taillight**  
(AR,B,E,ED,F,G,IT,SA,SD,SW,U,2G)

**Feu arrière**  
(AR,B,E,ED,F,G,IT,SA,SD,SW,U,2G)

**Rücklicht**  
(AR,B,E,ED,F,G,IT,SA,SD,SW,U,2G)

**Luz trasera**  
(AR,B,E,ED,F,G,IT,SA,SD,SW,U,2G)



BMC4-30

Service item	F.R.T.	Ref. No.	Part No.	Description	Reqd. No. XL600						Serial No.	Area code
					Rd	Ld	Re	Le	Rf	Lf		
			34906-447-711	BULB, TAILLIGHT (12V21/5W)	1	1		1	1	1		AR,B,E,ED,F,G IT,SD,SW,2G
		14	90105-GA7-003	SCREW, TAPPING, 4X40	2	2		2	2	2		AR,B,E,ED,F,G IT,SA,SD,SW,U 2G
		15	92000-05025-0A	BOLT, HEX., 5X25	2	2		2	2	2		AR,B,E,ED,F,G IT,SA,SD,SW,U 2G
		16	93893-05018-00	SCREW-WASHER, 5X18	2	2		2	2	2		AR,B,E,ED,F,G IT,SA,SD,SW,U 2G

**M 13**



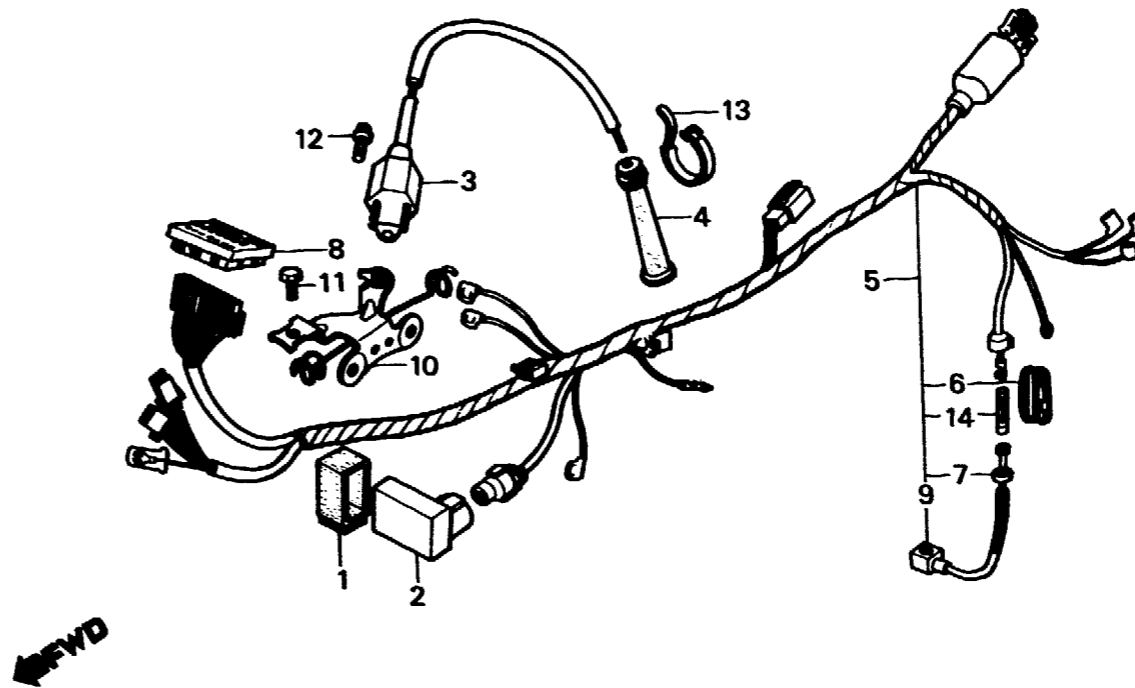
**F-25**

**Wire harness • Ignition coil**

**Faisceau électrique • Bobine d'allumage**

**Kabelbaum • Zündspule**

**Equipo de alambre • Bobina de encendido**



BMG2-30

Service item	F.R.T.	Ref. No.	Part No.	Description	Reqd. No. XL600						Serial No.	Area code
					Rd	Ld	RE	LE	Rf	Lf		
C.D.I. UNIT • MULTI-COUPLER, 10X3 COIL COMP., IGNITION HARNESS, WIRE	0.4	1	30401-KB4-000	CUSHION, C.D.I. UNIT	1	1	1	1		1		
	0.3	2	30401-VM0-000	CUSHION, C.D.I. UNIT		1			1			B,CM,E,ED,F,G
	0.8		30401-MG3-003	C.D.I. UNIT	1	1						IT,SA,SD,SW,U
			30401-MG2-871	C.D.I. UNIT	1							AR
			30410-MG2-891	UNIT COMP., C.D.I.			1	1		1		
			30510-MG3-003	COIL COMP., IGNITION	1	1	1	1	1	1		
			30700-KF0-153	CAP ASSY., NOISE SUPPRESSOR	1	1	1	1	1	1		
			32100-MG2-000	HARNESS, WIRE	1	1	1	1		1		
			32100-MG2-890	HARNESS, WIRE					1			
			32111-230-000	CASE, FUSE CONNECTOR	1	1	1	1	1	1		
			32124-GB2-720	COVER B, FUSE CASE	1	1	1	1	1	1		
		32150-MG2-003	MULTI-COUPLER, 10X3	1	1	1	1	1	1			
		32412-KG8-000	COVER, BATTERY TERMINAL	1	1	1	1	1	1			
		50290-MG3-000	GUIDE, WIRE HARNESS	1	1	1	1	1	1			
		90170-MG3-000	BOLT, FLANGE, 6X10	1	1	1	1	1	1			

**M 14**



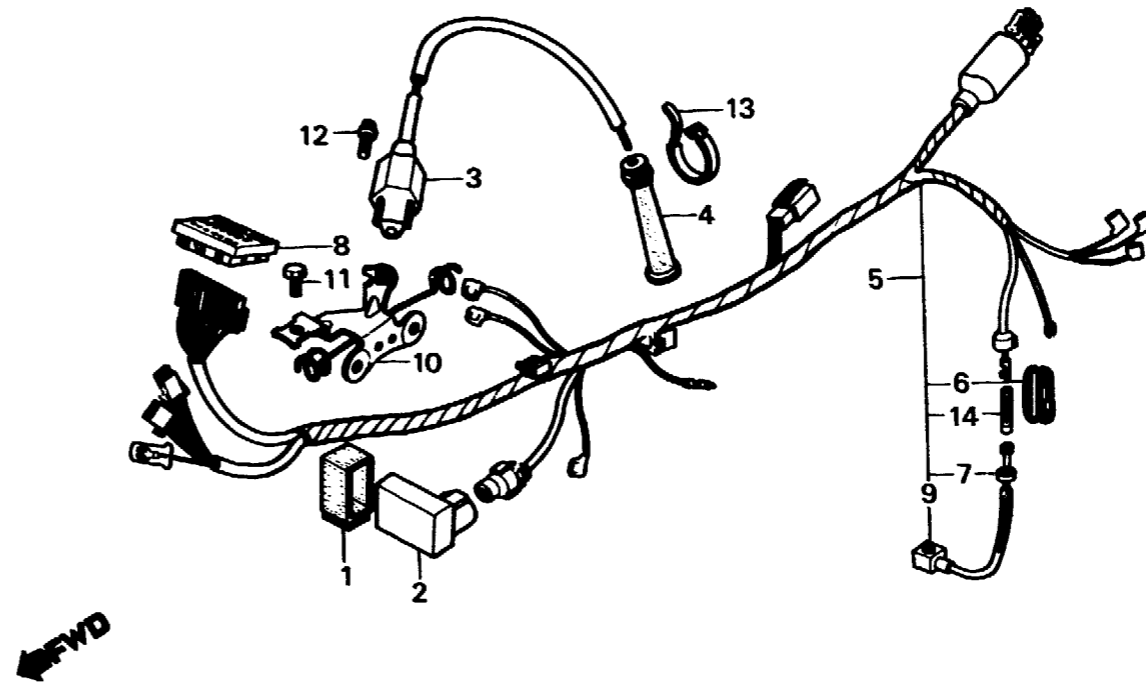
**F-25**

**Wire harness • Ignition coil**

**Faisceau électrique • Bobine d'allumage**

**Kabelbaum • Zündspule**

**Equipo de alambre • Bobina de encendido**



BMG2-30

Service item	F.R.T.	Ref. No.	Part No.	Description	Reqd. No. XL600						Serial No.	Area code
					Rd	Ld	Re	Le	Rf	Lf		
		12	90189-MG3-000	BOLT-WASHER, 5X20	1	1	1	1	1	1		
		13	95014-61100	BAND A1, WIRE	1	1	1	1	1	1		
		14	98200-11000	FUSE A (10A)	1	1	1	1	1	1		

# M 15

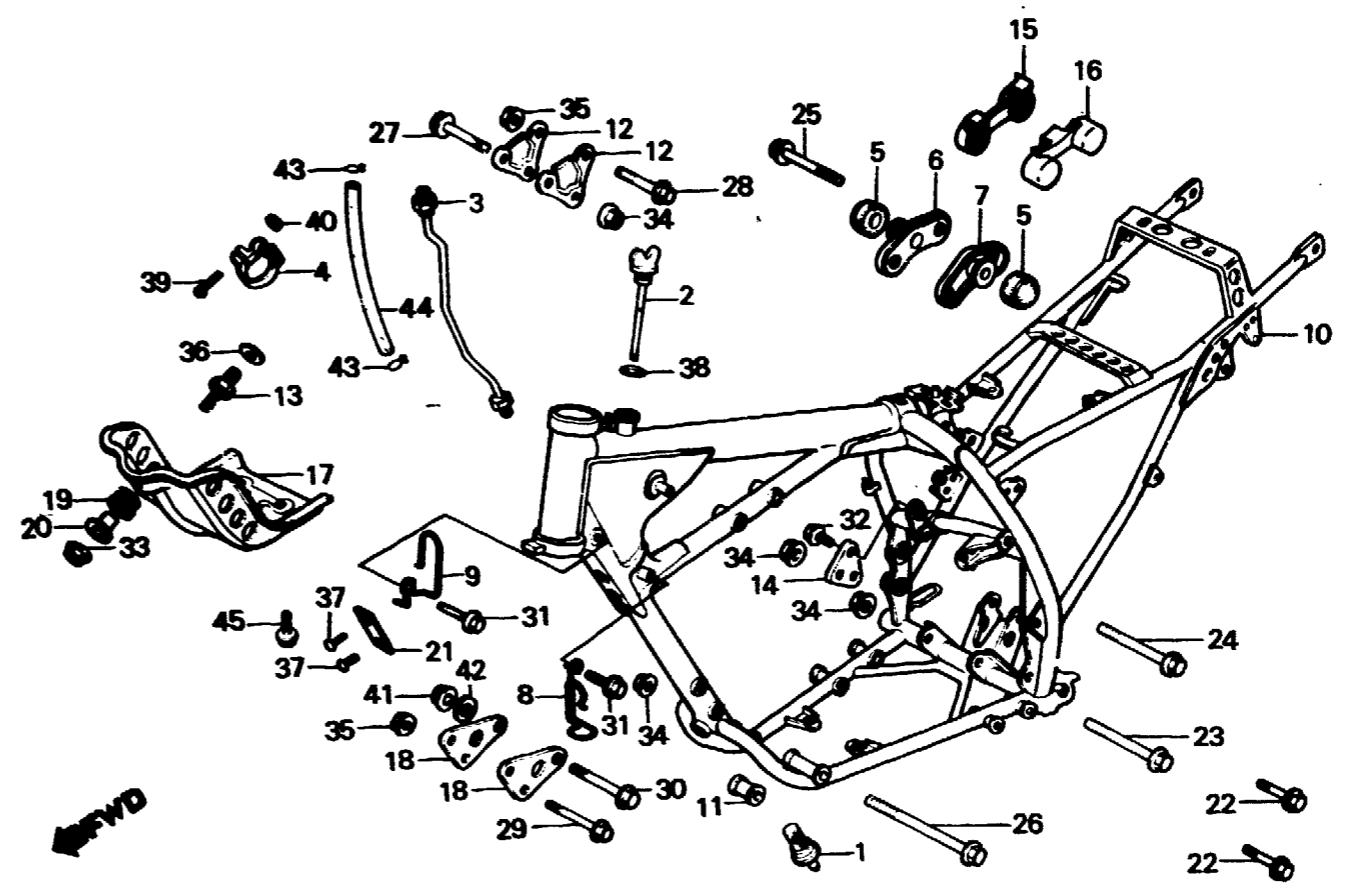
## F-26

Frame body

Cadre

Rahmen

Cuerpo de cuadro



BMG2-57A

Service item	F.R.T.	Ref. No.	Part No.	Description	Reqd. No. XL600						Serial No.	Area code
					Rd	Ld	RE	LE	Rf	Lf		
STRAINER COMP., OIL	0.2	1	15500-MG3-000	STRAINER COMP., OIL	1	1	1	1	1	1		
• PLATE, SKID		2	15650-MG3-000	GAUGE, OIL LEVEL	1	1	1	1	1	1		
• PLATE, FR. ENGINE HANGER (ONE OR ALL)		3	15710-MG3-000	PIPE COMP., OIL	1	1	1	1	1	1		
PIPE COMP., OIL	0.3	4	15711-MG3-000	CLAMPER, OIL PIPE	1	1	1	1	1	1		
BODY COMP., FRAME	*6.2	5	17521-KB7-700	RUBBER, STOPPER		2		2		2		
		6	17522-MG2-730ZA	STAY, R. TANK UNDER *R-110*		1						
			17522-MG2-830ZA	STAY, R. TANK UNDER *R-119*				1		1		
		7	17523-MG2-730ZA	STAY, L. TANK UNDER *R-110*		1						
			17523-MG2-830ZA	STAY, L. TANK UNDER *R-119*				1		1		
		8	22893-MG2-000	GUIDE, CLUTCH CABLE	1	1	1	1	1	1		
		9	45472-MG2-000	GUIDE, CABLE	1	1	1	1	1	1		
		10	50100-MG2-000ZA	BODY COMP., FRAME *R-110*	1		1					CM
			50100-MG2-000ZB	BODY COMP., FRAME *R-119*						1		CM

**M 16**

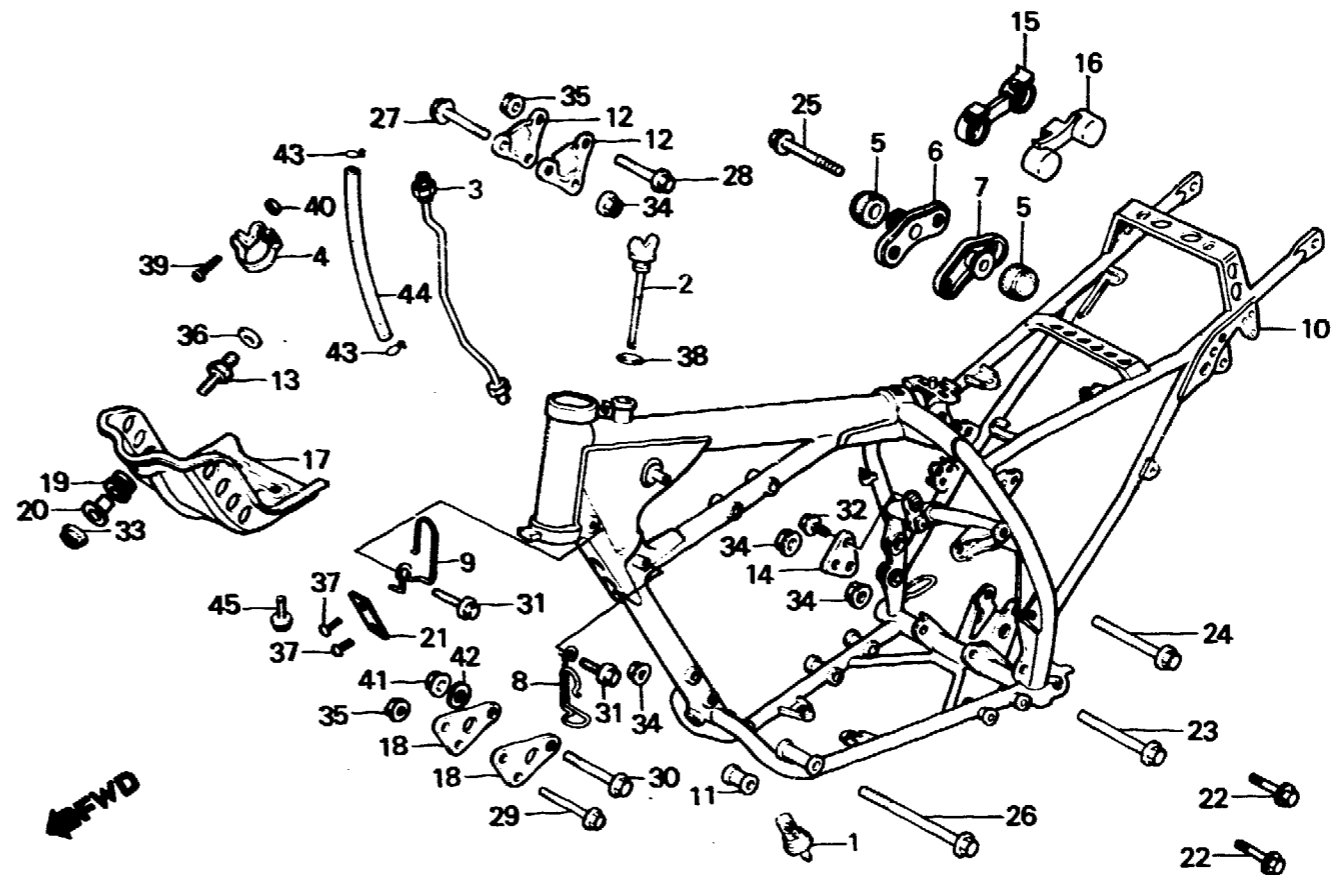
**F-26**

**Frame body**

**Cadre**

**Rahmen**

**Cuerpo de cuadro**



BMG2-57A

Service item	F.R.T.	Ref. No.	Part No.	Description	Reqd. No. XL600						Serial No.	Area code
					Rd	Ld	Re	Le	Rf	Lf		
			50100-MG2-600ZA	BODY COMP., FRAME *R-110*	1	1						AR,B,E,F,IT,SA SW
			50100-MG2-600ZB	BODY COMP., FRAME *R-119*				1		1		B,F,IT,SW
		*	50100-MG2-600ZC	BODY CO.MP., FRAME *R-134*					1			B
			50100-MG2-610ZA	BODY COMP., FRAME *R-110*	1							ED,G,SD
			50100-MG2-610ZB	BODY COMP., FRAME *R-119*				1				ED
			50100-MG2-650ZA	BODY COMP., FRAME *R-110*	1							U
		*	50100-MG2-650ZB	BODY COMP., FRAME *R-134*					1			U
		*	50100-MG2-710ZB	BODY COMP., FRAME *R-134*					1			G,SD,2G
		*	50100-MG2-790ZB	BODY COMP., FRAME *R-134*					1			AR,E,ED,F,IT,SA SW
		11	50130-MG3-000ZB	COLLAR, ENGINE HANGER *NH-105*	1	1	1	1	1	1		

**N 1**

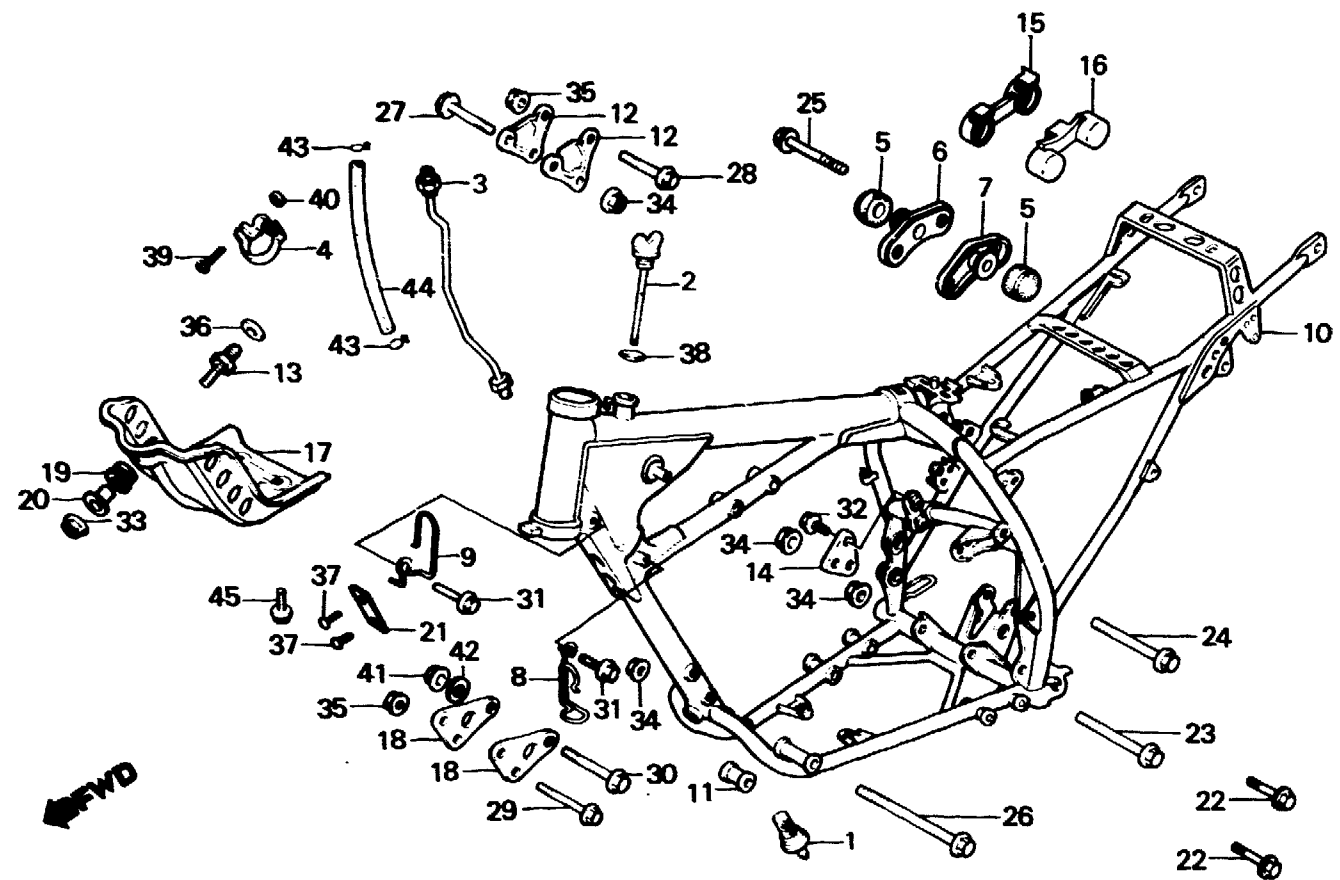
**F-26**

**Frame body**

**Cadre**

**Rahmen**

**Cuerpo de cuadro**



BMG2-57A

Service item	F.R.T.	Ref. No.	Part No.	Description	Reqd. No. XL600						Serial No.	Area code
					Rd	Ld	RE	LE	Rf	Lf		
		12	50138-MG3-000ZB	PLATE, ENGINE HANGER UPPER	2	2	2					
				*R-110*								
			50138-MG3-000ZA	PLATE, R. ENGINE HANGER UPPER				2		2		
				*R-119*						2		
		*	50138-MG3-000ZC	PLATE, ENGINE HANGER UPPER						2		
				*R-134*								CM
		13	50142-MG2-000	BOLT, LOWER DRAIN	1	1	1	1	1	1		AR,B,E,ED,F,G
		14	50157-MG3-000	PLATE, R. RR. ENGINE HANGER	1	1	1	1	1	1		IT,SA,SD,SW,U
		*15	50211-MG2-890	RUBBER, R. TANK GUARD						1		2G
		*16	50212-MG2-890	RUBBER, L. TANK GUARD						1		
		17	50351-MG2-000	PLATE, SKID	1	1	1	1	1	1		
		18	50353-MG3-000	PLATE, FR. ENGINE HANGER	2	2	2	2	2	2		
		19	80101-283-000	RUBBER, RR. FENDER CUSHION	1	1	1	1	1	1		
		20	84706-163-670	COLLAR, TAILLIGHT MOUNTING	1	1	1	1	1	1		