

L 6



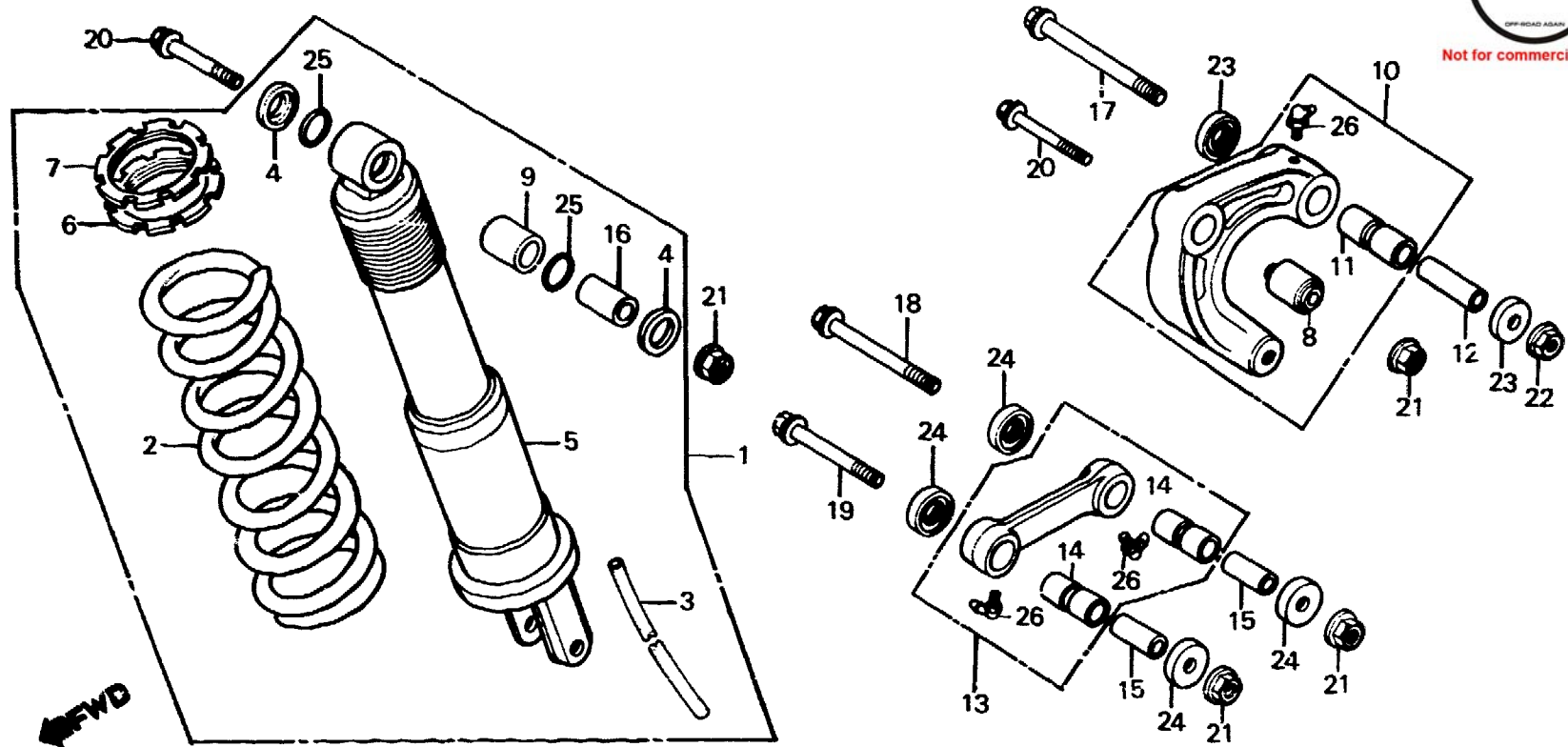
F-21

Rear cushion

Amortisseur arrière

Hinterer Stoßdämpfer

Amortiguador trasero



BMG2-37

Service item	F.R.T.	Ref. No.	Part No.	Description	Reqd. No. XL600						Serial No.	Area code
					Rd	Ld	Re	Le	Rf	Lf		
		17	90128-KF0-000	BOLT, FLANGE, 12X90	1	1	1	1	1	1		
		18	90129-KF0-000	BOLT, FLANGE, 10X77	1	1	1	1	1	1		
		19	90151-MG3-000	BOLT, FLANGE, 10X65	1	1	1	1	1	1		
		20	90153-KF0-000	BOLT, FLANGE, 10X55	2	2	2	2	2	2		
		21	90304-GE8-003	NUT, U, 10MM	4	4	4	4	4	4		
		22	90306-KF0-003	NUT, FLANGE, 12MM	1	1	1	1	1	1		
		23	91261-KA3-711	SEAL, CUSHION ARM PIVOT	2	2	2	2	2	2		
		24	91261-KA3-712	SEAL, CUSHION ARM PIVOT	2	2	2	2	2	2		
		24	91262-KA3-711	SEAL, CUSHION CONNECTING ROD	4	4	4	4	4	4		
			91262-KA3-712	SEAL, CUSHION CONNECTING ROD	4	4	4	4	4	4		
		25	91351-KB7-003	DUST SEAL B	2	2	2	2	2	2		
		26	96201-80000	NIPPLE, GREASE, B.T6S	3	3	3	3	3	3		

L 7

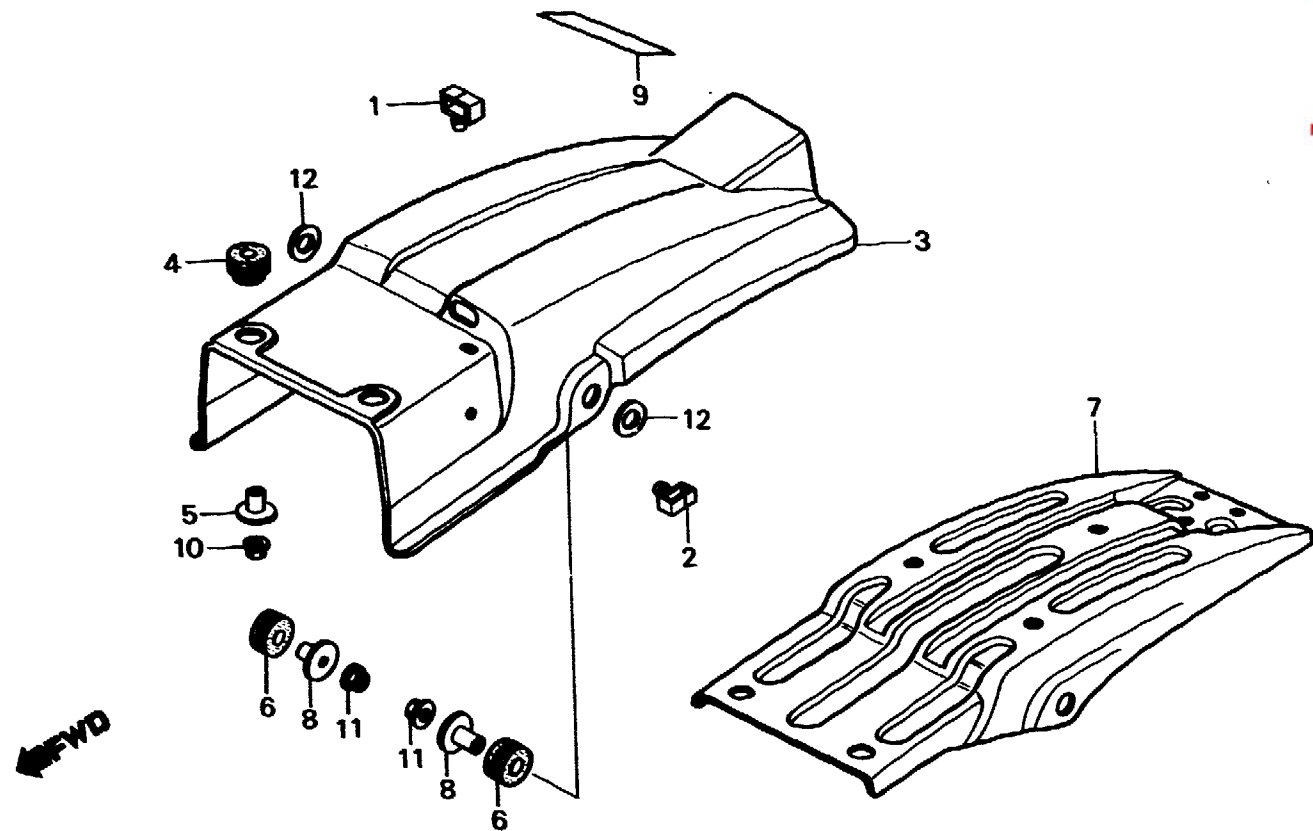
F-22

**Rear fender
(CM)**

**Garde-boue arrière
(CM)**

**Hinterer Kotflügel
(CM)**

**Parafango trasero
(CM)**



BMG2-38

Service item	F.R.T.	Ref. No.	Part No.	Description	Reqd. No. XL600						Serial No.	Area code
					Rd	Ld	Re	Le	Rf	Lf		
FENDER, RR.	0.3	1	32985-MG2-000	GROMMET, WIRE CORD	1		1					CM
PATCH, RR. FENDER	0.2	2	32985-300-000	GROMMET, WIRE CORD	2		2		2			CM
		3	80100-MG2-670ZA	FENDER, RR. *R-110*	1		1					CM
		*	80100-MG2-670ZB	FENDER, RR. *R-119*					1			CM
		4	80101-MG2-000	CUSHION, RR. FENDER	2		2		2			CM
		5	80102-MG2-000	COLLAR, SEAT MOUNTING	2		2		2			CM
		6	80105-028-000	CUSHION A, RR. FENDER	2							CM
			80103-MG2-000	CUSHION, RR. FENDER			2		2			CM
		7	80110-MG2-670	PATCH, RR. FENDER	1							CM
			80110-KG0-000	PATCH, RR. FENDER			1					CM
		*	80110-KG0-010	PATCH, RR. FENDER						1		CM
		8	80117-MG2-000	COLLAR B, RR. FENDER SETTING	2							CM
			80101-KB7-600	COLLAR, 8X12			2		2			CM
		9	87512-MG2-720	MARK, ACCESSORIES & LOADING CAUTION (FRENCH)	1		1		1			CM
			87512-435-770	MARK, ACCESSORIES & LOADING CAUTION	1		1		1			CM
		10	90301-473-003	NUT, U, 6MM	2		2		2			CM

L 8

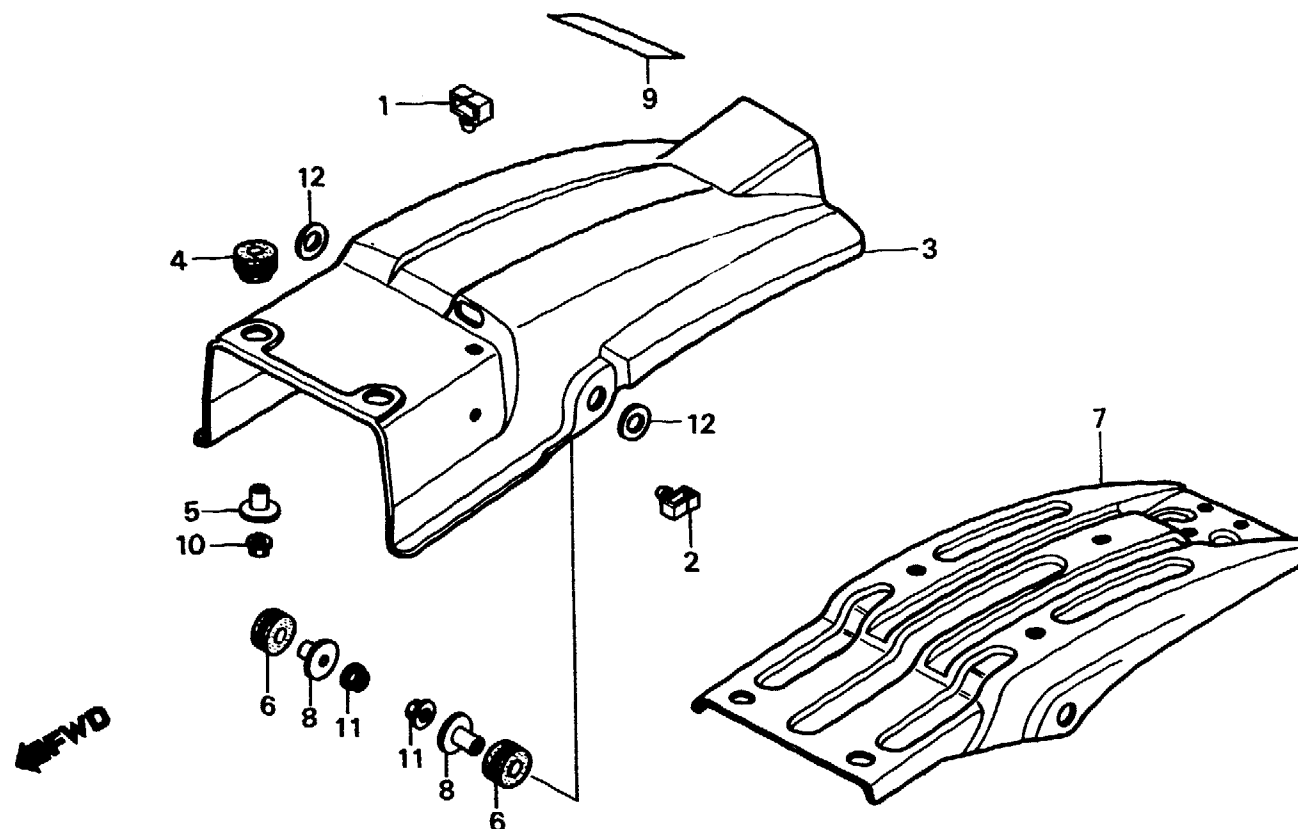
F-22

**Rear fender
(CM)**

**Garde-boue arrière
(CM)**

**Hinterer Kotflügel
(CM)**

**Parafango trasero
(CM)**



BMG2-38

Service item	F.R.T.	Ref. No.	Part No.	Description	Reqd. No. XL600						Serial No.	Area code
					Rd	Ld	RE	LE	Rf	Lf		
		11	90309-428-731	NUT, FLANGE, 8MM	2						CM	
			90309-KFO-003	NUT, FLANGE, 8MM			2		2		CM	
		12	90505-425-000	WASHER, 8MM	2		2				CM	

L 9

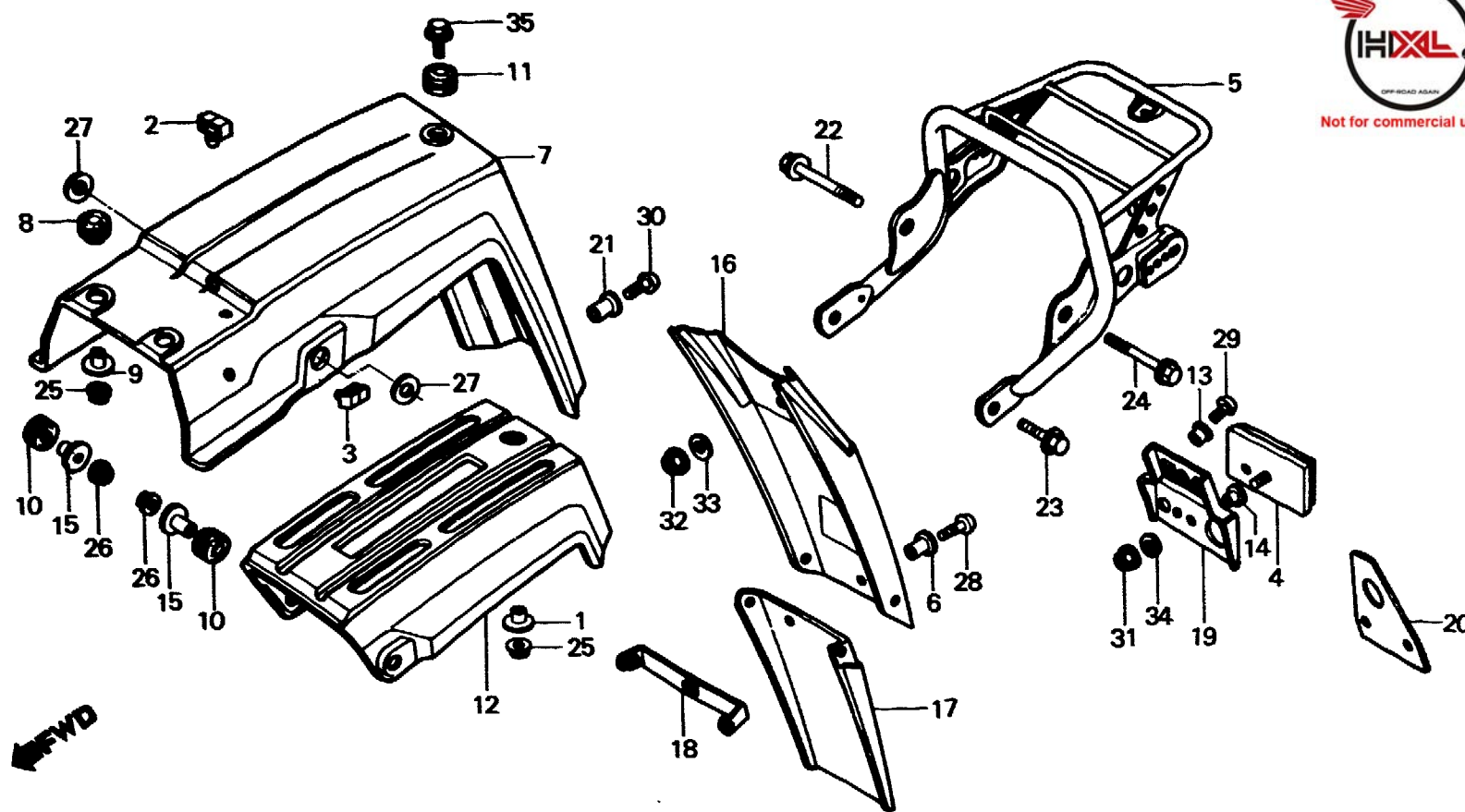
F-22-1

Rear fender
(AR,B,E,ED,F,G,IT,SA,SD,SW,U,2G)

Garde-boue arrière
(AR,B,E,ED,F,G,IT,SA,SD,SW,U,2G)

Hintere Kotflügel
(AR,B,E,ED,F,G,IT,SA,SD,SW,U,2G)

Parafango trasero
(AR,B,E,ED,F,G,IT,SA,SD,SW,U,2G)



BMG2-55

Service item	F.R.T.	Ref. No.	Part No.	Description	Reqd. No.						Serial No.	Area code
					Rd	Ld	XL600 Re	Le	Rf	Lf		
PIPE COMP., TAIL	0.3	1	19052-KA4-000	COLLAR, RADIATOR MOUNTING	1	1	1	1	1		AR,B,E,ED,F,G IT,SA,SD,SW,U 2G	
• FENDER, RR.	0.2	2	32985-MG2-000	GROMMET, WIRE CORD	1	1	1	1	1		AR,B,E,ED,F,G IT,SA,SD,SW,U 2G	
PATCH, RR. FENDER	0.1	3	32985-300-000	GROMMET, WIRE CORD	2	2	2	2	2		AR,B,E,ED,F,G IT,SA,SD,SW,U 2G	
MUDGUARD A, RR.		4	33741-MC7-611	REFLECTOR, REFLEX	1	1	1				AR,B,E,ED,F,G IT,SA,SD,SW,U	
• MUDGUARD B, RR.		*	33741-MC7-612	REFLECTOR, REFLEX				1	1		AR,B,E,ED,F,G IT,SA,SD,SW,U 2G	
		5	50310-MG2-600ZA	PIPE COMP., TAIL *NH-105*	1			1			AR,B,E,ED,F,G IT,SA,SD,SW,U 2G	
			50310-MG2-600ZB	PIPE COMP., TAIL *R-110*		1						
			50310-MG2-600ZC	PIPE COMP., TAIL *R-119*			1		1			

L 10

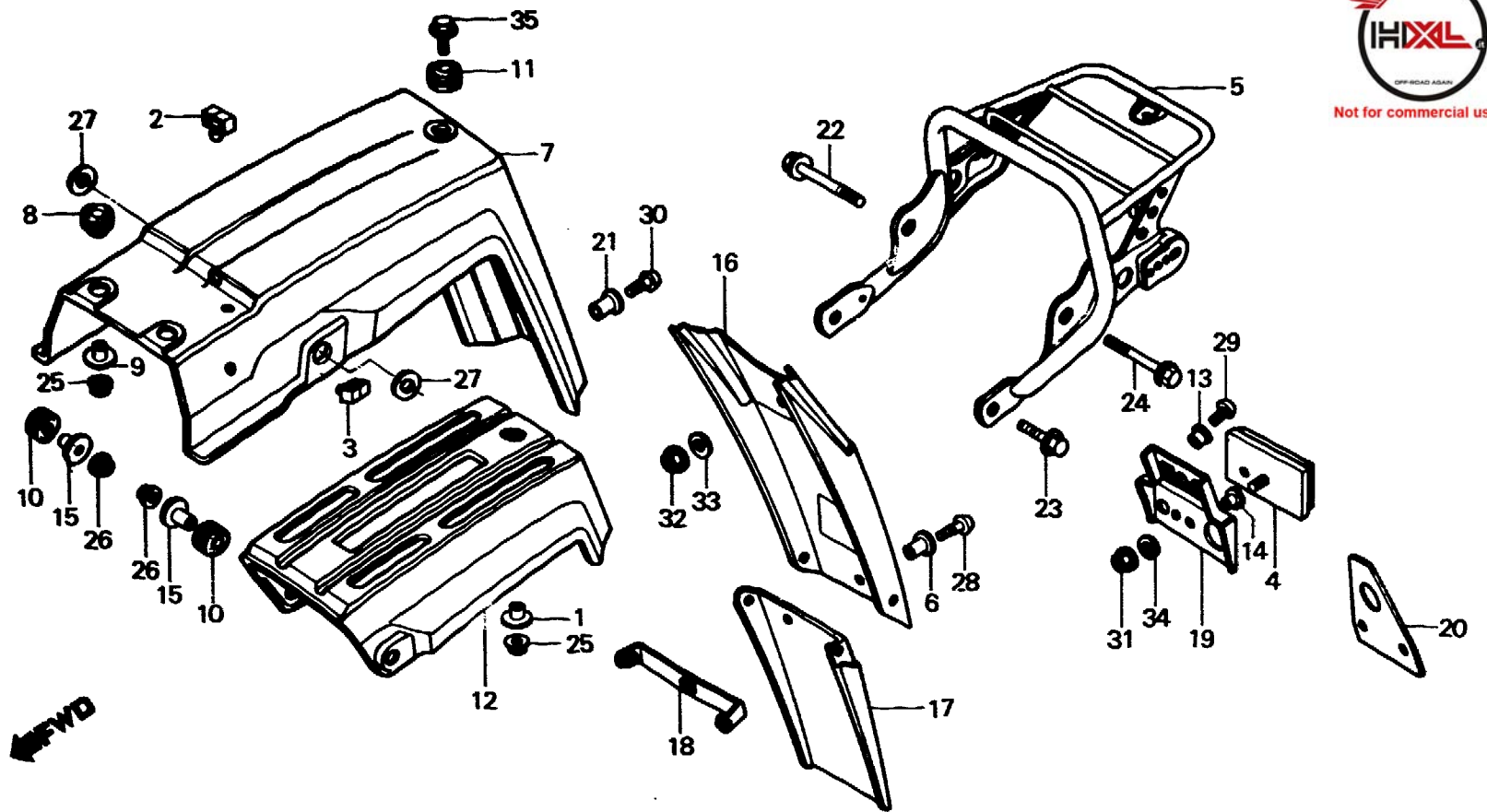
F-22-1

**Rear fender
(AR,B,E,ED,F,G,IT,SA,SD,SW,U,2G)**

**Garde-boue arrière
(AR,B,E,ED,F,G,IT,SA,SD,SW,U,2G)**

**Hinterer Kotflügel
(AR,B,E,ED,F,G,IT,SA,SD,SW,U,2G)**

**Parafango trasero
(AR,B,E,ED,F,G,IT,SA,SD,SW,U,2G)**



BMG2-55

Service item	F.R.T.	Ref. No.	Part No.	Description	Reqd. No. XL600						Serial No.	Area code
					Rd	Ld	Re	Le	Rf	Lf		
		6	61304-292-000	COLLAR, HEADLIGHT SETTING	3			3				ED SW
		7	80100-MG2-600ZA	FENDER, RR. *R-110*	1	1						AR,B,E,ED,F,G IT,SA,SD,SW,U
			80100-MG2-600ZB	FENDER, RR. *NH-111*	1							AR,B,E,ED,F,G IT,SA,SD,SW,U
			80100-MG2-600ZC	FENDER, RR. *NH-1*	1				1			AR,B,E,ED,F,G IT,SA,SD,SW,U 2G
		*	80100-MG2-600ZD	FENDER, RR. *R-119*				1		1		AR,B,E,ED,F,G IT,SA,SD,SW,U 2G
		*	80100-MG2-600ZE	FENDER, RR. *R-134*					1			AR,B,E,ED,F,G IT,SA,SD,SW,U 2G
		*	80100-MG2-600ZF	FENDER, RR. *NH-138*					1			AR,B,E,ED,F,G IT,SA,SD,SW,U 2G
		8	80101-MG2-000	CUSHION, RR. FENDER	2	2		2	2	2		AR,B,E,ED,F,G IT,SA,SD,SW,U 2G

L 11

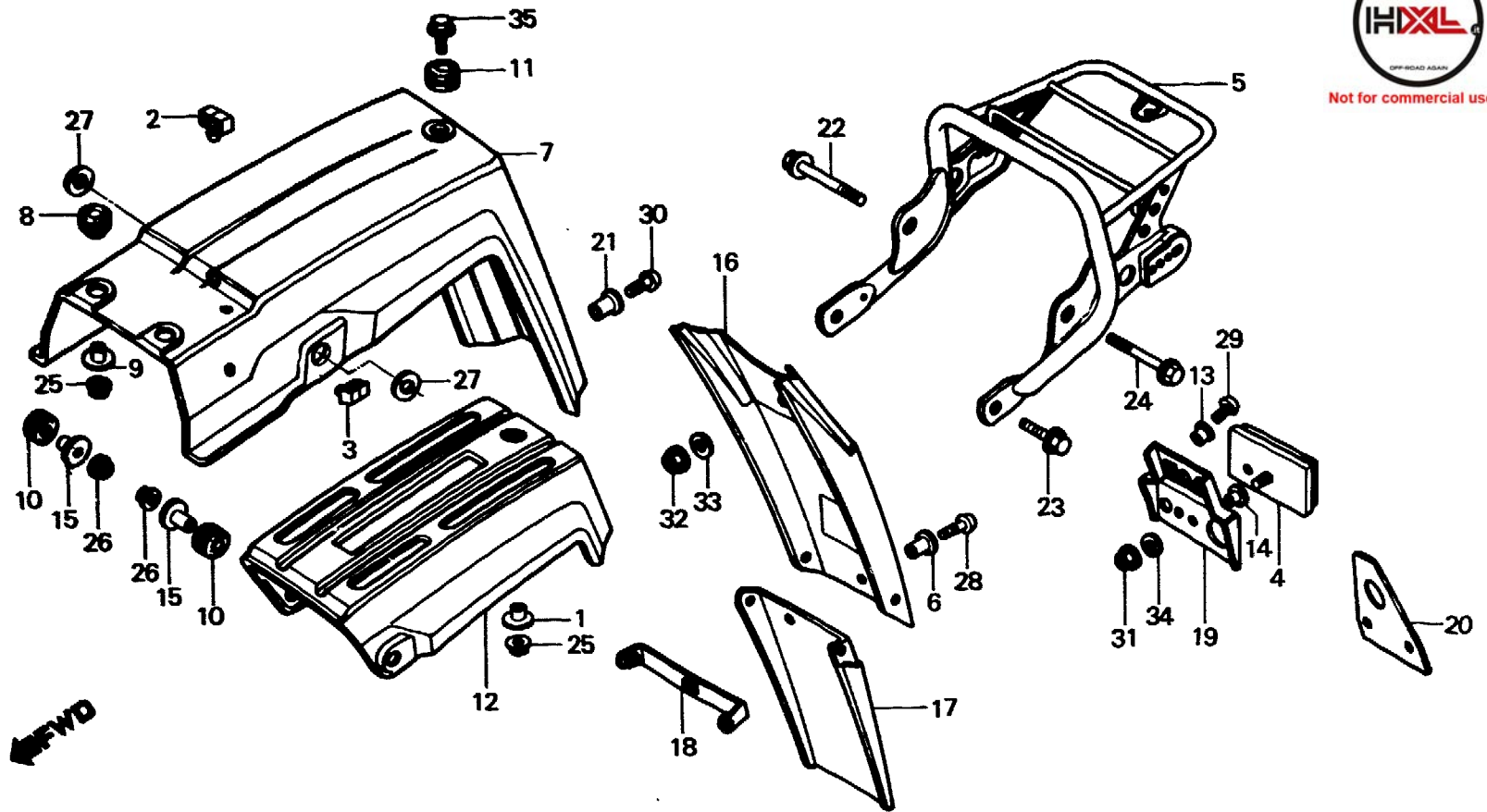
F-22-1

**Rear fender
(AR,B,E,ED,F,G,IT,SA,SD,SW,U,2G)**

**Garde-boue arrière
(AR,B,E,ED,F,G,IT,SA,SD,SW,U,2G)**

**Hinterer Kotflügel
(AR,B,E,ED,F,G,IT,SA,SD,SW,U,2G)**

**Parafango trasero
(AR,B,E,ED,F,G,IT,SA,SD,SW,U,2G)**



BMG2-55

Service item	F.R.T.	Ref. No.	Part No.	Description	Reqd. No. XL600						Serial No.	Area code
					Rd	Ld	Re	Le	Rf	Lf		
		9	80102-MG2-000	COLLAR, SEAT MOUNTING	2	2		2	2	2		AR,B,E,ED,F,G IT,SA,SD,SW,U 2G
		10	80103-MG2-000	CUSHION, RR. FENDER	2				2	2	2	AR,2G B,E,ED,F,G,IT SA,SD,SW,U
			80105-028-000	CUSHION A, RR. FENDER	2	2						B,E,ED,F,G,IT SA,SD,SW,U
		11	80105-028-000	CUSHION A, RR. FENDER	1	1		1	1	1		AR,B,E,ED,F,G IT,SA,SD,SW,U 2G
		12	80110-MG2-600	PATCH, RR. FENDER	1	1		1	1	1		AR,B,E,ED,F,G IT,SA,SD,SW,U 2G
		13	80112-443-850	COLLAR	2	2		2	2	2		B,E,F,IT,SA,U ED
		14	80114-MC7-000	COLLAR, RR. FENDER	1			1	1			AR,G,SD,SW,2G ED
		15	80117-MG2-000	COLLAR B, RR. FENDER SETTING	2	2		1				B,E,ED,F,G,IT SA,SD,SW,U

L 12

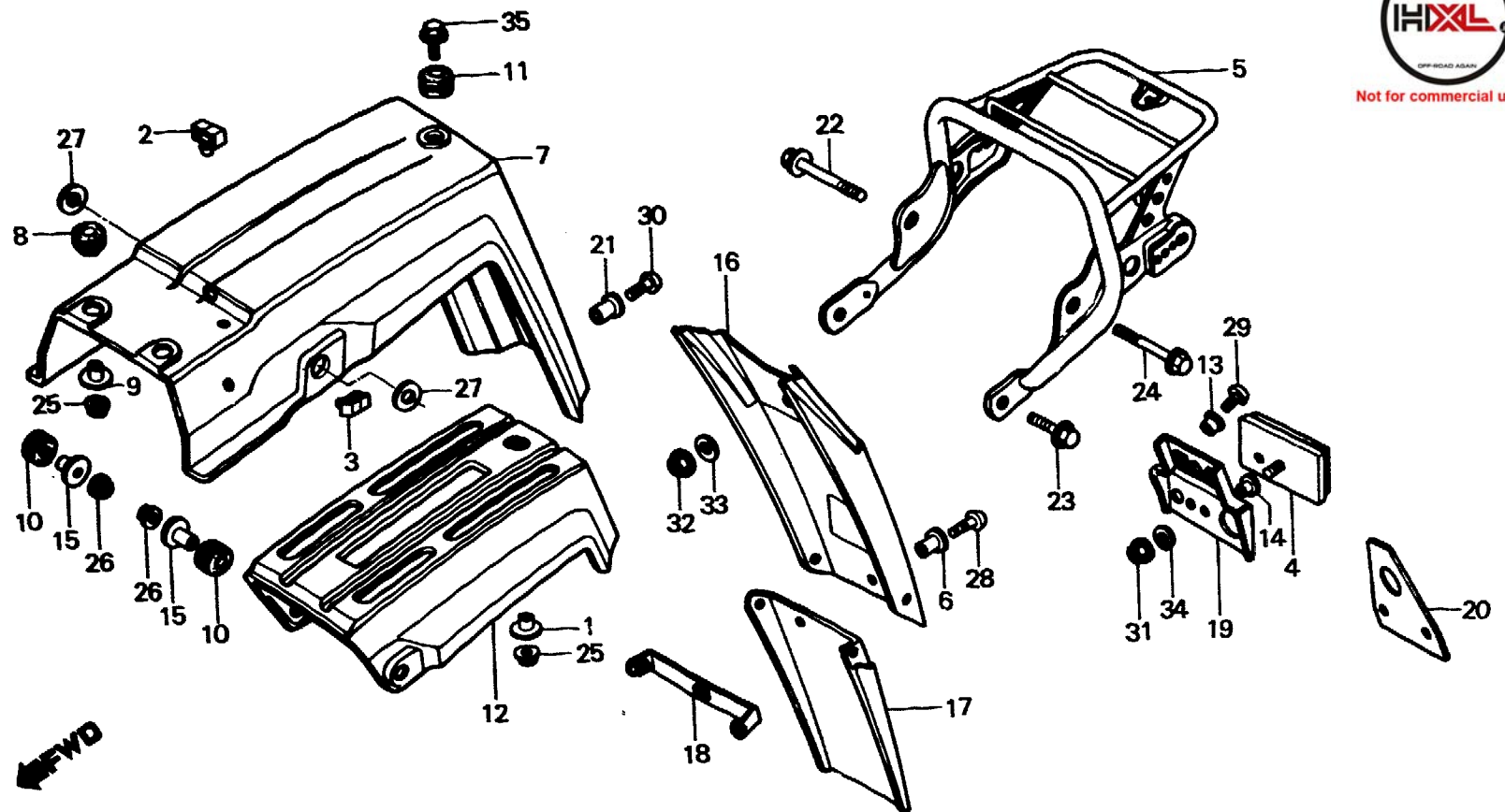
F-22-1

Rear fender
(AR,B,E,ED,F,G,IT,SA,SD,SW,U,2G)

Garde-boue arrière
(AR,B,E,ED,F,G,IT,SA,SD,SW,U,2G)

Hinterer Kotflügel
(AR,B,E,ED,F,G,IT,SA,SD,SW,U,2G)

Parafango trasero
(AR,B,E,ED,F,G,IT,SA,SD,SW,U,2G)



BMG2-55

Service item	F.R.T.	Ref. No.	Part No.	Description	Reqd. No. XL600						Serial No.	Area code
					Rd	Ld	RE	LE	Rf	Lf		
			80101-KB7-600	COLLAR, 8X12	2				2	2		AR,2G B,E,ED,F,G,IT SA,SD,SW,U
		16	80200-MG2-610	MUDGUARD A, RR.	1			1	1			AR,G,SD,SW,2G ED
		17	80300-MG2-640	MUDGUARD B, RR.	1			1				ED SW
		18	80301-MG2-640	PLATE B, RR. FENDER	1			1	1			ED SW
		19	80400-KB7-620	STAY, REFLECTOR	1	1		1	1	1		B,IT ED
			80400-MG2-620	STAY, REFLECTOR	1	1		1	1	1		E,F,SA,U
		*20	80410-MG2-600	PLATE, REFLECTOR STAY	1	1		1	1	1		AR,B,E,F,IT,SA U ED
		21	90121-102-000	COLLAR B, AIR CLEANER CASE	4			4	4			AR,G,SD,SW,2G ED
				SETTING	4			4				

L 13

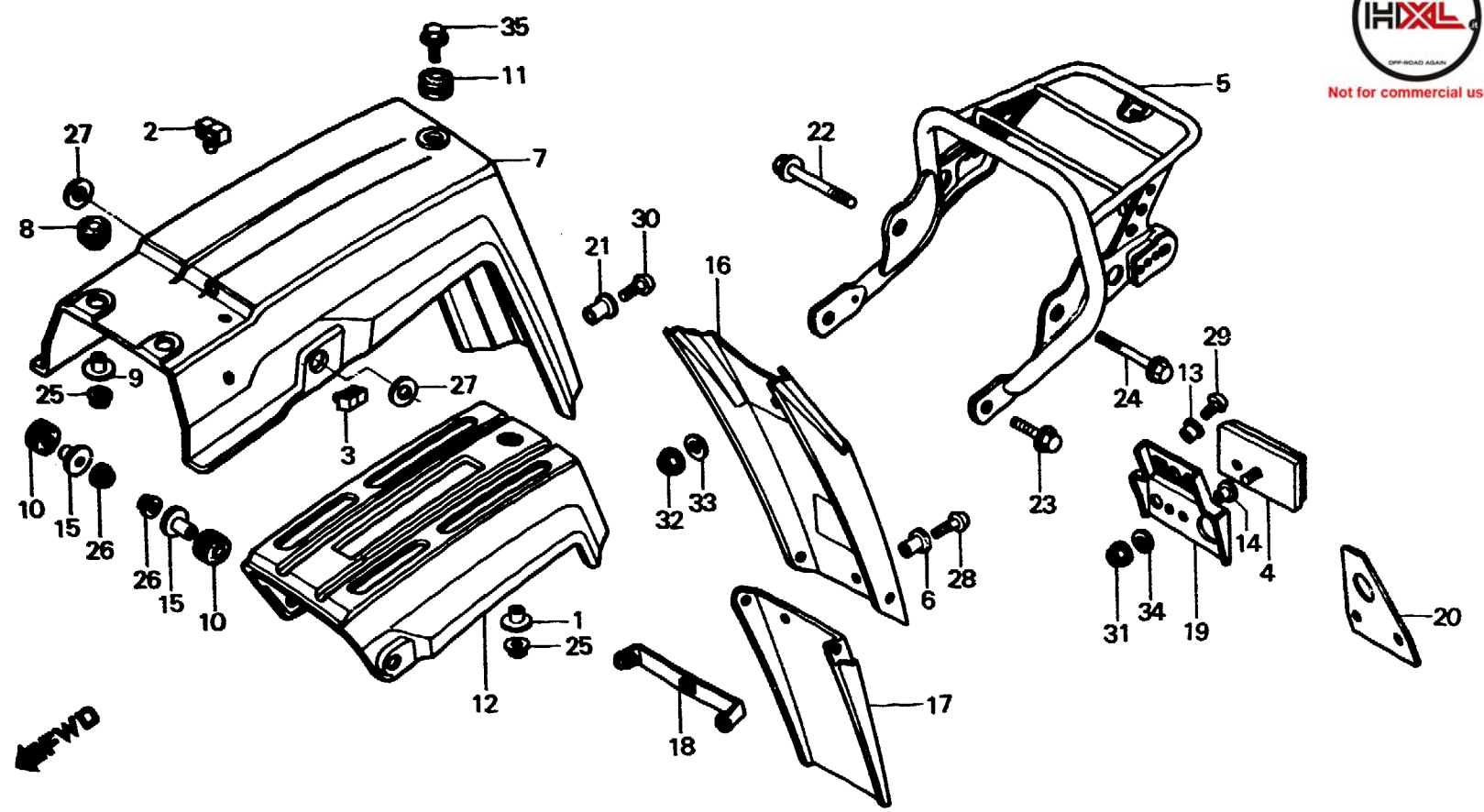
F-22-1

Rear fender
(AR,B,E,ED,F,G,IT,SA,SD,SW,U,2G)

Garde-boue arrière
(AR,B,E,ED,F,G,IT,SA,SD,SW,U,2G)

Hinterer Kotflügel
(AR,B,E,ED,F,G,IT,SA,SD,SW,U,2G)

Parafango trasero
(AR,B,E,ED,F,G,IT,SA,SD,SW,U,2G)



BMG2-55

Service item	F.R.T.	Ref. No.	Part No.	Description	Reqd. No. XL600					Serial No.	Area code
					Rd	Ld	RE	LE	Rf		
		22	90181-MG3-000	BOLT, FLANGE, 8X36	1	1	1	1	1		AR,B,E,ED,F,G IT,SA,SD,SW,U 2G
		23	90213-KF0-000	BOLT, FLANGE, 8X16	2	2	2	2	2		AR,B,E,ED,F,G IT,SA,SD,SW,U 2G
		24	90216-KF0-000	BOLT, FLANGE, 8X32	1	1	1	1	1		AR,B,E,ED,F,G IT,SA,SD,SW,U 2G
		25	90301-473-003	NUT, U, 6MM	3	3	3	3	3		AR,B,E,ED,F,G IT,SA,SD,SW,U 2G
		26	90309-428-731	NUT, FLANGE, 8MM	2	2					B,E,ED,F,G,IT SA,SD,SW,U AR,2G
			90309-KF0-003	NUT, FLANGE, 8MM	2			2	2	2	B,E,ED,F,G,IT SA,SD,SW,U AR,2G
		27	90505-425-000	WASHER, 8MM	2	2	2				AR,B,E,ED,F,G IT,SA,SD,SW,U

L 14

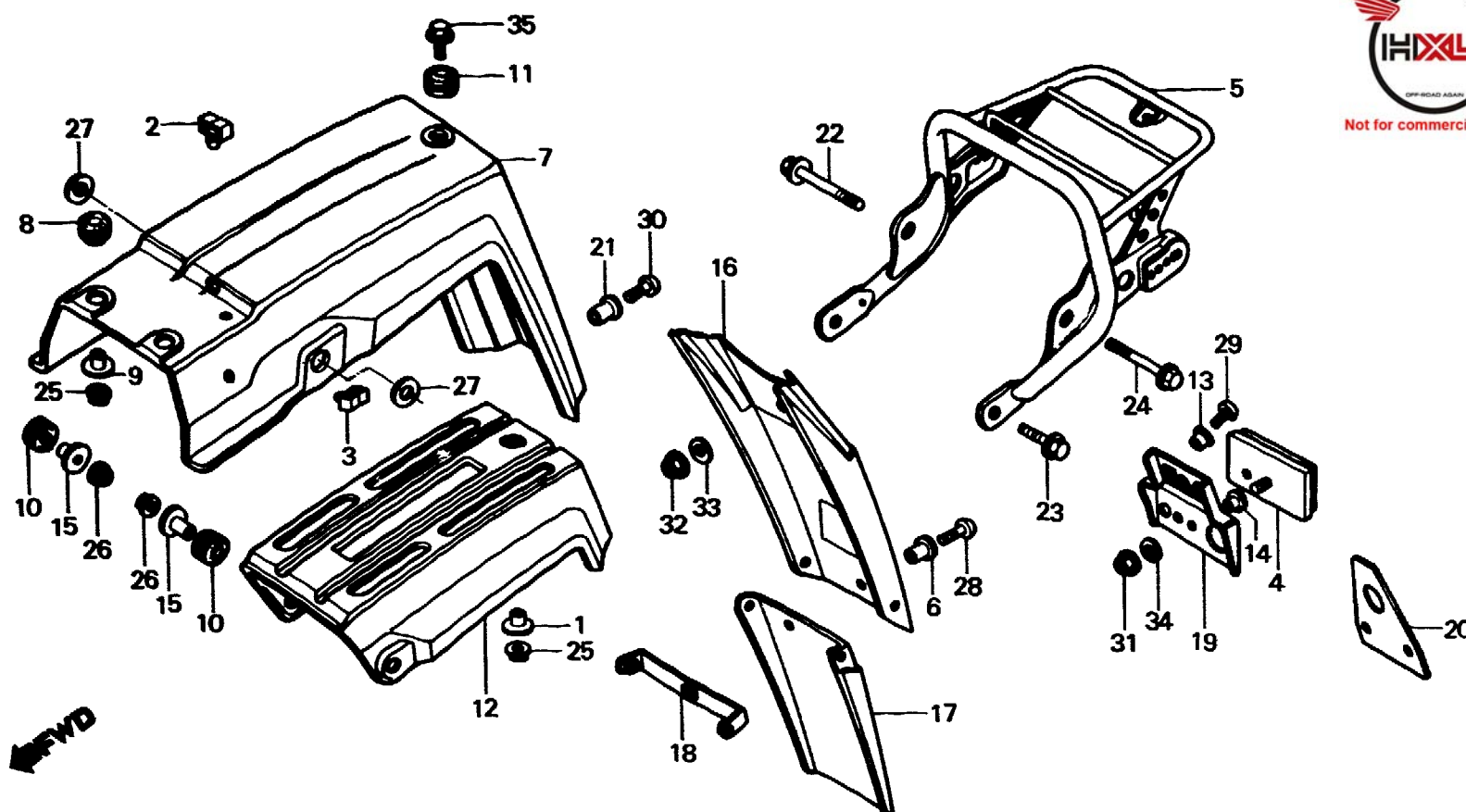
F-22-1

**Rear fender
(AR,B,E,ED,F,G,IT,SA,SD,SW,U,2G)**

**Garde-boue arrière
(AR,B,E,ED,F,G,IT,SA,SD,SW,U,2G)**

**Hinterer Kotflügel
(AR,B,E,ED,F,G,IT,SA,SD,SW,U,2G)**

**Parafango trasero
(AR,B,E,ED,F,G,IT,SA,SD,SW,U,2G)**



BMG2-55

Service item	F.R.T.	Ref. No.	Part No.	Description	Reqd. No. XL600						Serial No.	Area code
					Rd	Ld	Re	Lf	Rf	Lf		
		28	93500-05016-0A	SCREW, PAN, 5X16	3			3				ED
		28	93500-05016-0A	SCREW, PAN, 5X16	3			3	3			SW
		29	93500-06012-0A	SCREW, PAN, 6X12	2	2		2	2	2		B,E,F,IT,SA,U
		29	93500-06012-0A	SCREW, PAN, 6X12					2			ED
		30	93500-06014-0A	SCREW, PAN, 6X14	4			4	4			AR,G,SD,SW,2G
		30	93500-06014-0A	SCREW, PAN, 6X14	4			4				ED
		31	94050-05000	NUT, FLANGE, 5MM	1	1		1	1	1		AR,B,E,ED,F,G
		31	94050-05000	NUT, FLANGE, 5MM								SA,SD,SW,U,2G
		32	94050-06000	NUT, FLANGE, 6MM	4			4	4			AR,G,SD,SW,2G
		32	94050-06000	NUT, FLANGE, 6MM	4			4				ED
		33	94101-06000	WASHER, PLAIN, 6MM	4			4	4			AR,G,SD,SW,2G
		33	94101-06000	WASHER, PLAIN, 6MM	4			4				ED
		34	94111-05000	WASHER, SPRING, 5MM	1	1		1	1	1		B,E,ED,F,G,IT
		34	94111-05000	WASHER, SPRING, 5MM								SA,SD,SW,U
		34	94111-05000	WASHER, SPRING, 5MM					1			AR,2G
		35	95700-06022-00	BOLT, FLANGE, 6X22	1	1		1	1	1		AR,B,E,ED,F,G
		35	95700-06022-00	BOLT, FLANGE, 6X22								SA,SD,SW,U,2G

L 15

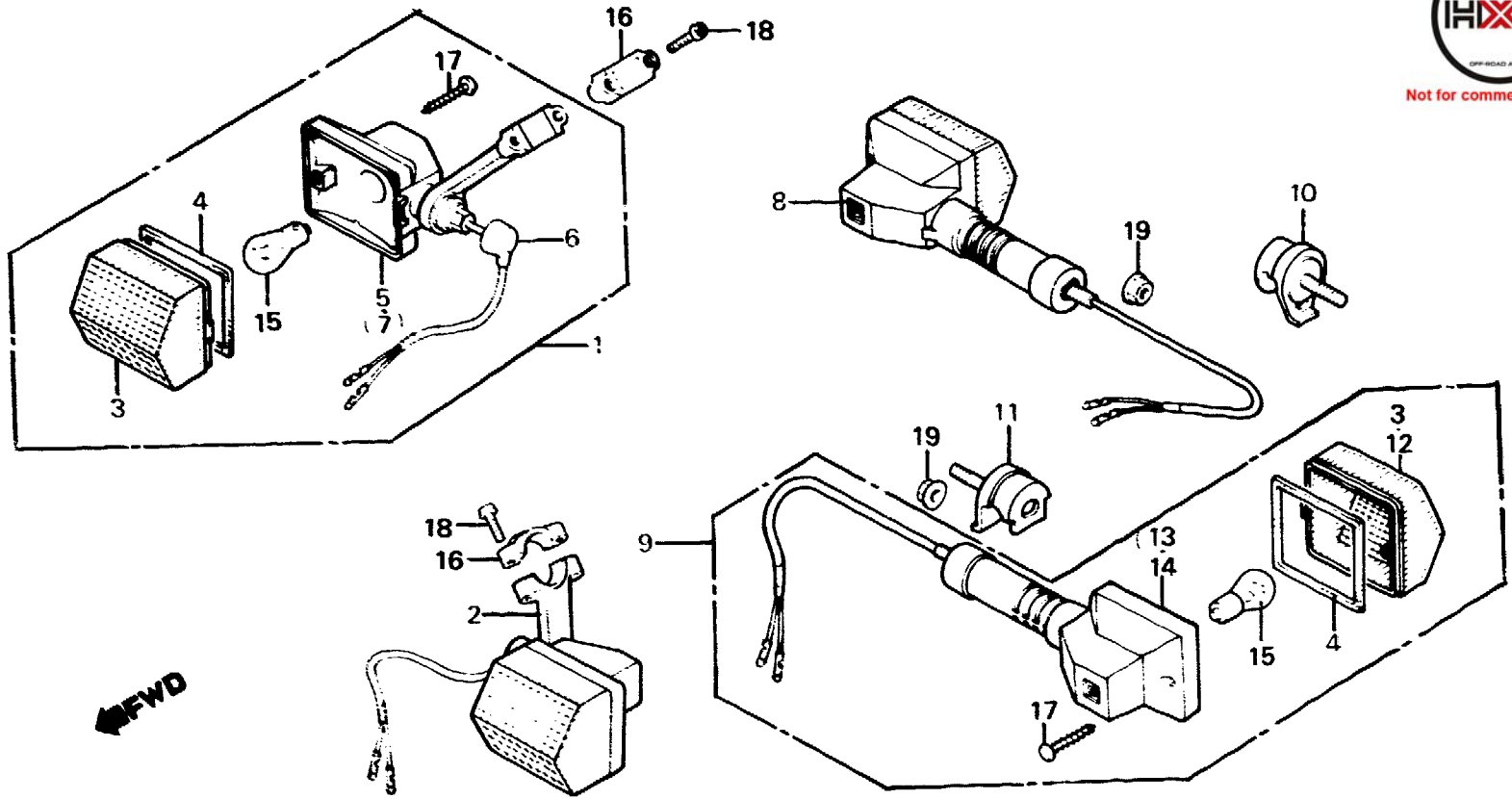
F-23

Winker
(AR,B,CM,E,F,IT,SA,SD,U.)
(XL600Rf-Ed)

Clignotant
(AR,B,CM,E,F,IT,SA,SD,U.)
(XL600Rf-Ed)

Blinker
(AR,B,CM,E,F,IT,SA,SD,U.)
(XL600Rf-Ed)

Luz intermitente
(AR,B,CM,E,F,IT,SA,SD,U.)
(XL600Rf-Ed)



BMG2-39

Service item	F.R.T.	Ref. No.	Part No.	Description	Reqd. No. XL600						Serial No.	Area code	
					Rd	Ld	RE	LE	Rf	Lf			
WINKER SET (ADD 0.1 FOR EACH.) (INC. RELATIVE PART) (EXC. RELATED PARTS BELOW) BULB, WINKER (ONE OR ALL)	0.2	1	33300-KG0-003	WINKER SET, R. FR.	1				1			SA,U	
			33300-MG2-601	WINKER SET, R. FR.	1	1			1	1	1	AR,B,E,F,IT,SD ED	
	0.1	2	33300-MG2-671	WINKER SET, R. FR.	1		1		1			CM	
			33350-KG0-003	WINKER SET, L. FR.	1				1			SA,U	
			3	33350-MG2-671	WINKER SET, L. FR.	1	1			1	1	AR,B,E,F,IT,SD ED	
				33402-MG2-003	LENS, WINKER	2	2			2	2	2	CM
			4	33407-MG2-003	GASKET, LENS	4	4	4	4	4	4	4	AR,B,E,F,IT,SD CM,SA,U
												2	
			5	33420-KG0-003	BASE COMP., R. FR. WINKER	1				4	1	AR,B,CM,E,F,IT SA,SD,U	
												ED	
											SA,U		

L 16

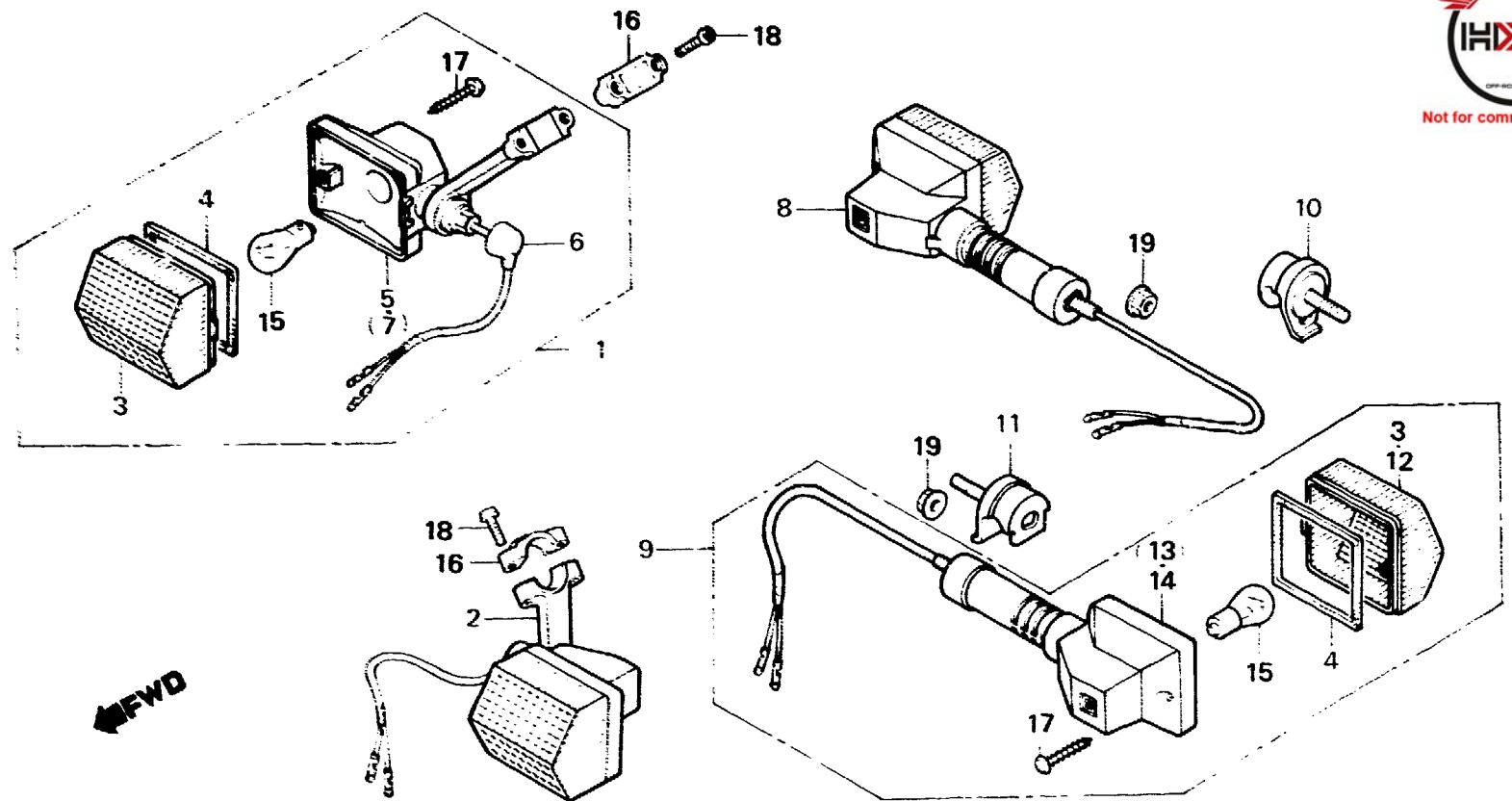
F-23

Winker
(AR,B,CM,E,F,IT,SA,SD,U.)
XL600Rf-Ed

Clignotant
(AR,B,CM,E,F,IT,SA,SD,U.)
XL600Rf-Ed

Blinker
(AR,B,CM,E,F,IT,SA,SD,U.)
XL600Rf-Ed

Luz intermitente
(AR,B,CM,E,F,IT,SA,SD,U.)
XL600Rf-Ed



BMG2-39

Service item	F.R.T.	Ref. No.	Part No.	Description	Reqd. No. XL600						Serial No.	Area code
					Rd	Ld	Re	Le	Rf	Lf		
			33420-MG2-601	BASE COMP., R. FR. WINKER	1	1		1	1	1		AR,B,E,F,IT,SD ED
			33420-MG2-671	BASE COMP., R. FR. WINKER	1		1		1			CM
		6	33425-MG2-000	COVER, WINKER CORD	2	2	2	2	2	2		AR,B,CM,E,F,IT SA,SD,U ED
			33470-KG0-003	BASE COMP., L. FR. WINKER					2			SA,U
		7	33470-MG2-601	BASE COMP., L. FR. WINKER	1	1		1	1	1		AR,B,E,F,IT,SD ED
			33470-MG2-671	BASE COMP., L. FR. WINKER	1		1		1			CM
		8	33500-MG2-601	WINKER SET, R. RR.	1	1						B,E,F,IT,SD
			33500-MG2-651	WINKER SET, R. RR.	1				1			SA,U
			33500-MG2-671	WINKER SET, R. RR.	1		1					CM

M 1

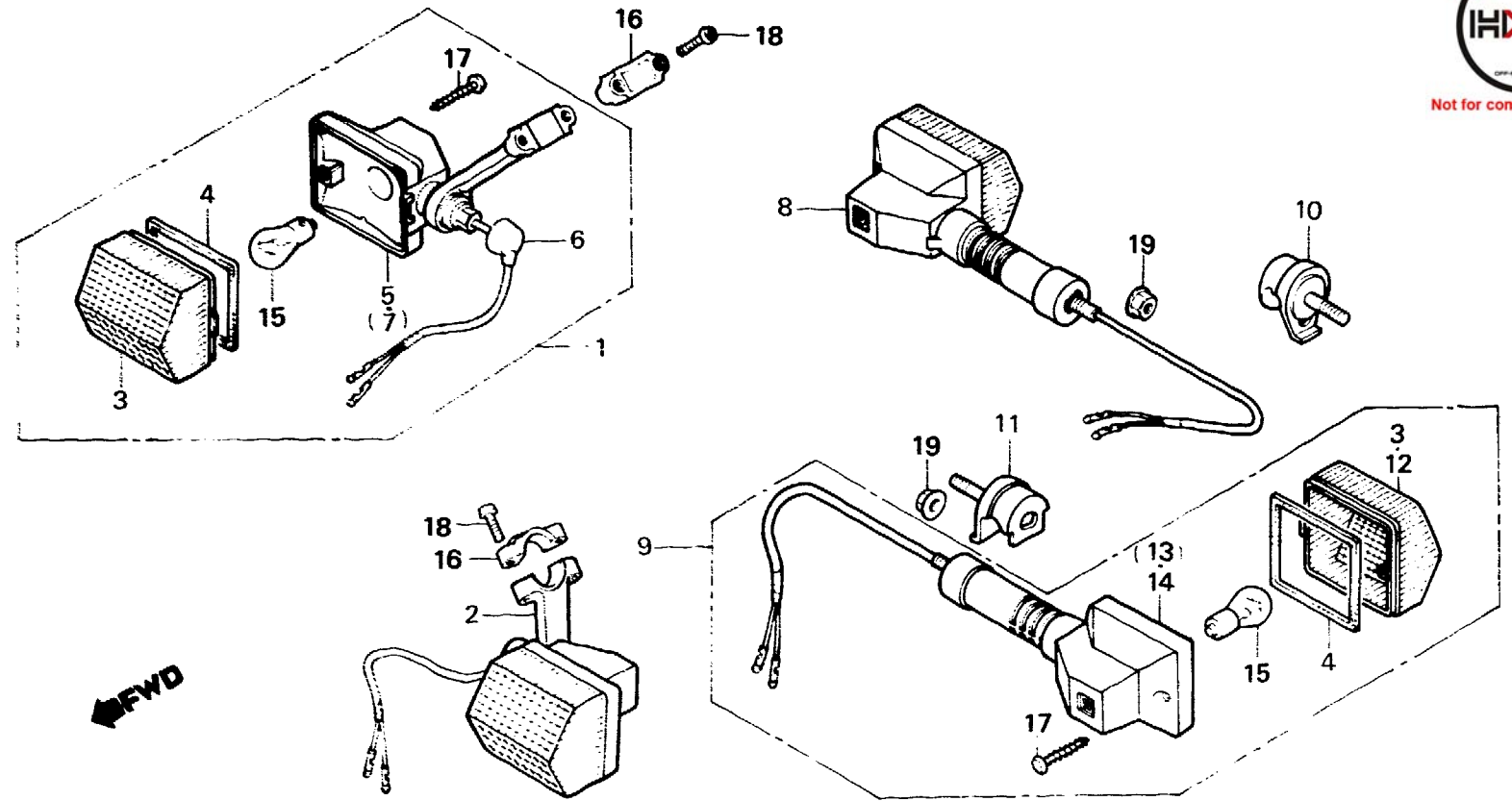
F-23

Winker
(AR,B,CM,E,F,IT,SA,SD,U.)
(XL600Rf-Ed)

Clignotant
(AR,B,CM,E,F,IT,SA,SD,U.)
(XL600Rf-Ed)

Blinker
(AR,B,CM,E,F,IT,SA,SD,U.)
(XL600Rf-Ed)

Luz intermitente
(AR,B,CM,E,F,IT,SA,SD,U.)
(XL600Rf-Ed)



BMG2-39

Service item	F.R.T.	Ref. No.	Part No.	Description	Reqd. No. XL600						Serial No.	Area code
					Rd	Ld	RE	LE	Rf	Lf		
			33500-MG2-611	WINKER SET, R. RR.	1							AR B,F,IT CM
		*	33500-MG2-672	WINKER SET, R. RR.					1			AR,B,E,ED,F,IT SD
		*	33500-MG2-612	WINKER SET, R. RR.						1	1	B,E,F,IT,SD SA,U
		9	33550-MG2-601	WINKER SET, L. RR.	1	1						AR
			33550-MG2-651	WINKER SET, L. RR.	1				1			B,F,IT CM
			33550-MG2-671	WINKER SET, L. RR.	1		1					AR
			33550-MG2-611	WINKER SET, L. RR.	1							B,F,IT CM
		*	33550-MG2-672	WINKER SET, L. RR.					1			AR,B,E,ED,F,IT SD
		*	33550-MG2-612	WINKER SET, L. RR.						1	1	CM
		10	33601-MG2-000ZA	STAY, R. RR. WINKER *R-110*	1							AR,B,E,ED,F,IT SD CM

M 2

F-23

Winker

(AR,B,CM,E,F,IT,SA,SD,U.)
XL600Rf-Ed

Clignotant

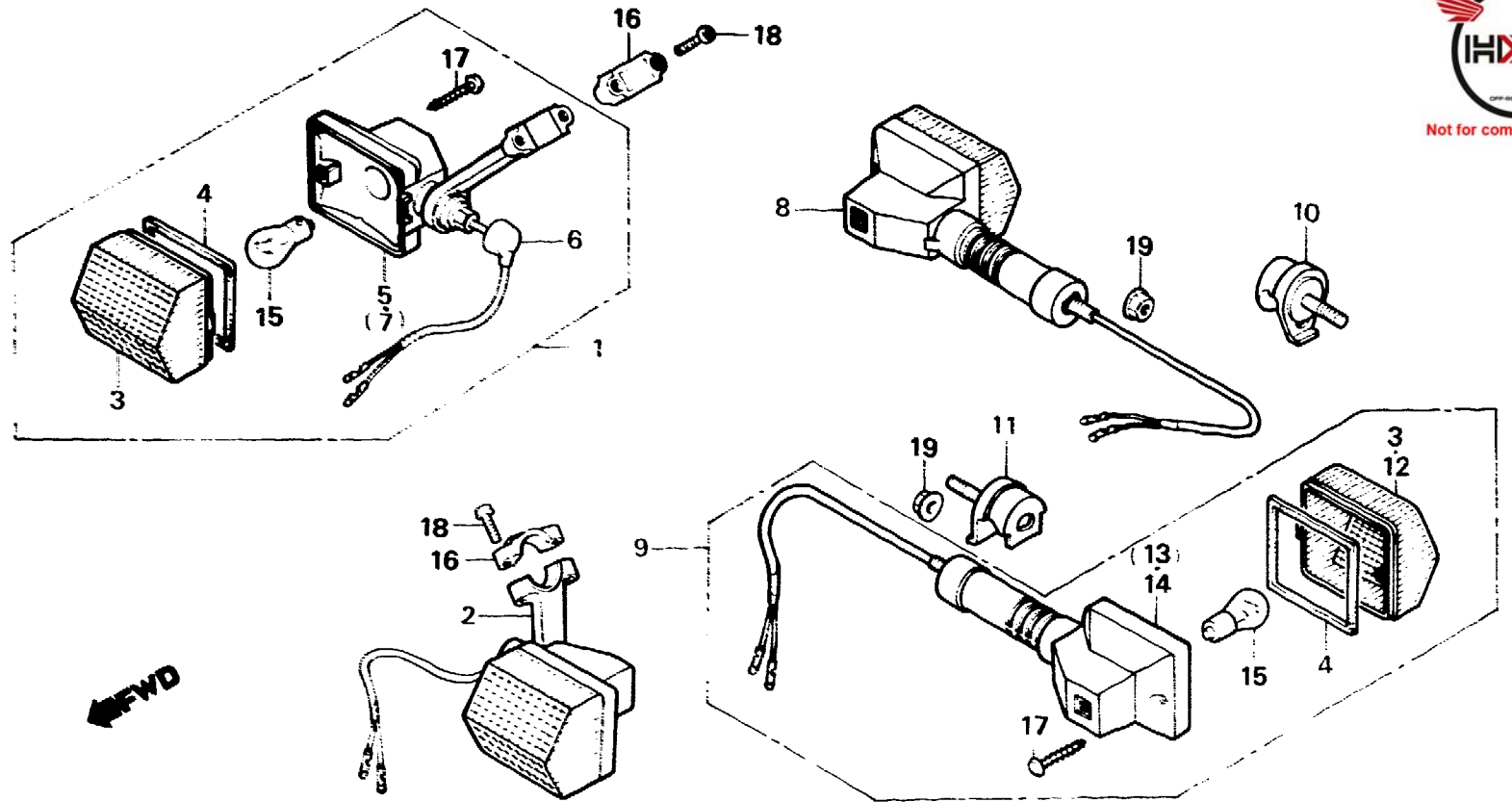
(AR,B,CM,E,F,IT,SA,SD,U.)
XL600Rf-Ed

Blinker

(AR,B,CM,E,F,IT,SA,SD,U.)
XL600Rf-Ed

Luz intermitente

(AR,B,CM,E,F,IT,SA,SD,U.)
XL600Rf-Ed



BMG2-39

Service item	F.R.T.	Ref. No.	Part No.	Description	Reqd. No. XL600						Serial No.	Area code
					Rd	Ld	Re	Le	Rf	Lf		
		*	33601-MG2-870ZA	STAY, R. RR. WINKER *R-110*			1					CM
		*	33601-MG2-870ZB	STAY, R. RR. WINKER *R-119*					1			CM
		11	33602-MG2-000ZA	STAY, L. RR. WINKER *R-110*	1							CM
			33602-MG2-870ZA	STAY, L. RR. WINKER *R-110*			1					CM
		*	33602-MG2-870ZB	STAY, L. RR. WINKER *R-119*					1			CM
		12	33602-MG2-601	LENS, WINKER	2	2		2	2	2		AR,B,E,F,IT,SD ED
		13	33620-MG2-601	BASE COMP., R. RR. WINKER	1	1						B,E,F,IT,SD
			33620-MG2-651	BASE COMP., R. RR. WINKER	1				1			SA,U
			33620-MG2-671	BASE COMP., R. RR. WINKER	1		1					CM
			33620-MG2-611	BASE COMP., R. RR. WINKER	1					1		AR B,F,IT

M 3

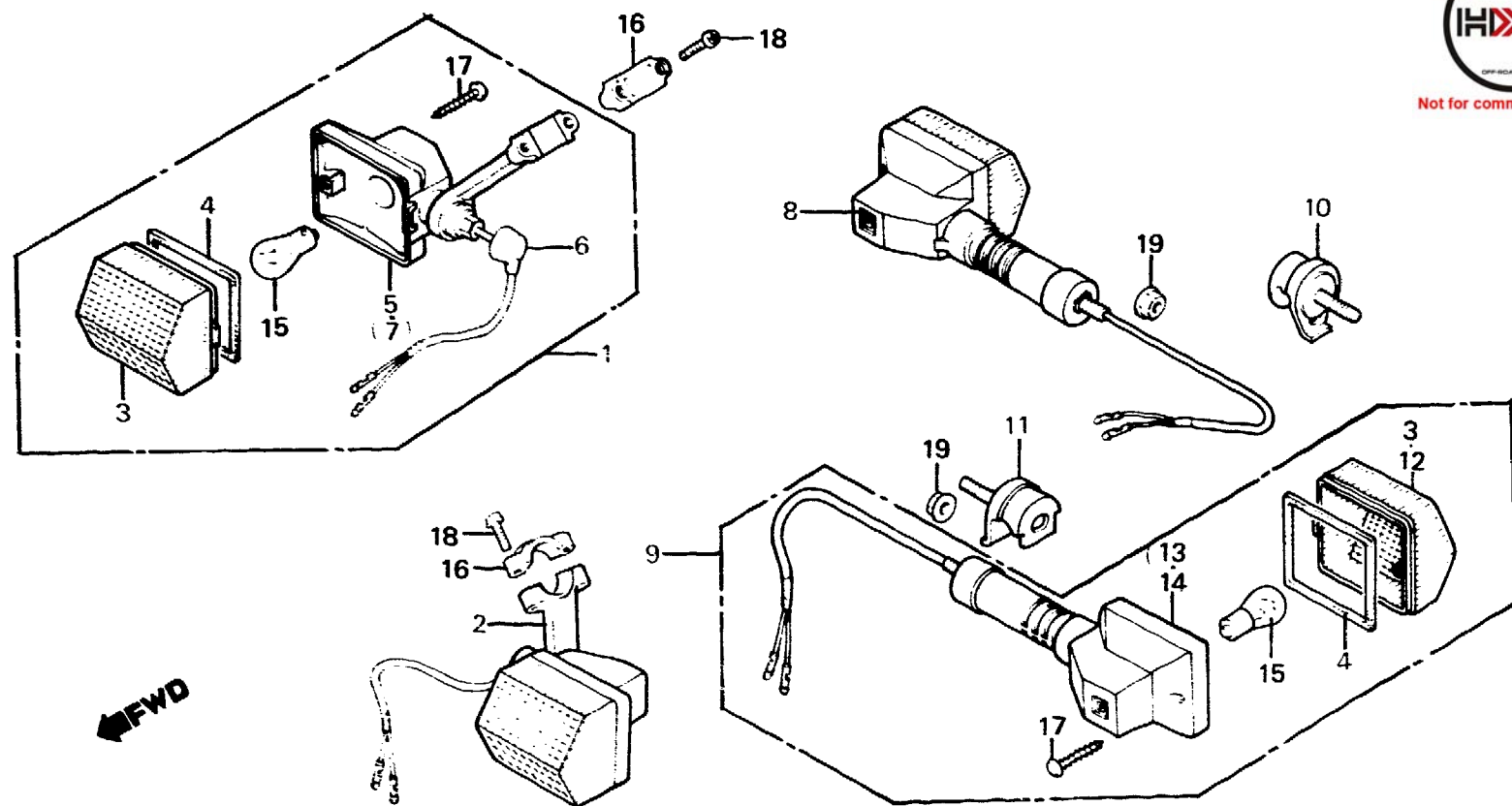
F-23

Winker
(AR,B,CM,E,F,IT,SA,SD,U.)
XL600Rf-Ed

Clignotant
(AR,B,CM,E,F,IT,SA,SD,U.)
XL600Rf-Ed

Blinker
(AR,B,CM,E,F,IT,SA,SD,U.)
XL600Rf-Ed

Luz intermitente
(AR,B,CM,E,F,IT,SA,SD,U.)
XL600Rf-Ed



BMG2-39

Service item	F.R.T.	Ref. No.	Part No.	Description	Reqd. No.						Serial No.	Area code
					Rd	Ld	RE	LE	Rf	Lf		
		*	33620-MG2-672	BASE COMP., R. RR. WINKER					1			CM
		*	33620-MG2-612	BASE COMP., R. RR. WINKER					1	1		AR,B,E,ED,F,IT SD
		14	33670-MG2-601	BASE COMP., L. RR. WINKER	1	1						B,E,F,IT,SD
			33670-MG2-651	BASE COMP., L. RR. WINKER	1				1			SA,U
			33670-MG2-671	BASE COMP., L. RR. WINKER	1		1					CM
			33670-MG2-611	BASE COMP., L. RR. WINKER	1							AR
								1				B,F,IT
		*	33670-MG2-672	BASE COMP., L. RR. WINKER					1			CM
		*	33670-MG2-612	BASE COMP., L. RR. WINKER					1	1		AR,B,E,ED,F,IT SD
		15	34905-268-671	BULB, WINKER (12V21W)	4		4		4			CM,SA,U
			34908-634-611	BULB (12V21W)	4	4		4	4	4		AR,B,E,F,IT,SD ED