



**D 14**

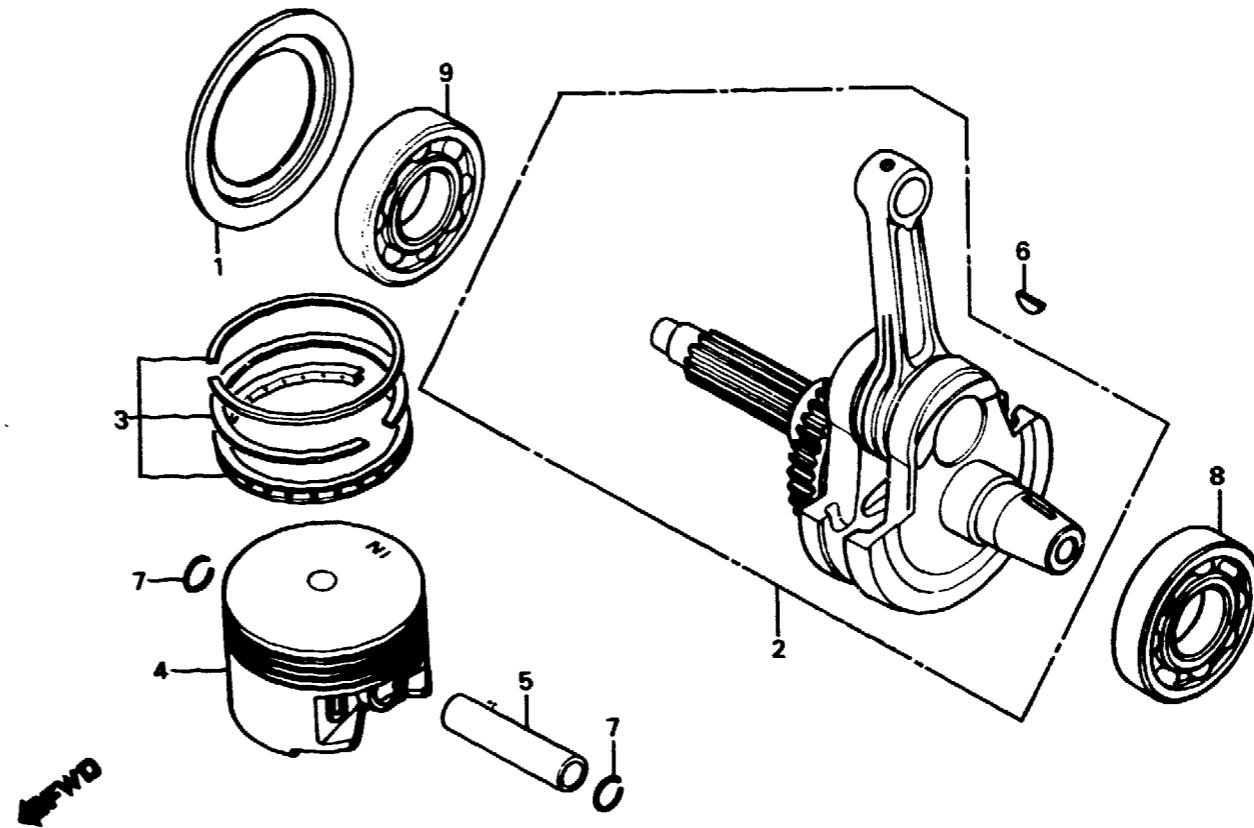
**E-11**

**Piston • Crankshaft**

**Piston • Vilebrequin**

**Kolben • Kurbelwelle**

**Pistón • Cigüeñal**



BMG2-7

Service item	F.R.T.	Ref. No.	Part No.	Description	Reqd. No. XL600						Serial No.	Area code
					Rd	Ld	RE	LE	Rf	Lf		
		9	91001-MG3-008	BEARING, RADIAL BALL (6307)	1	1	1	1	1	1		

**D 15**

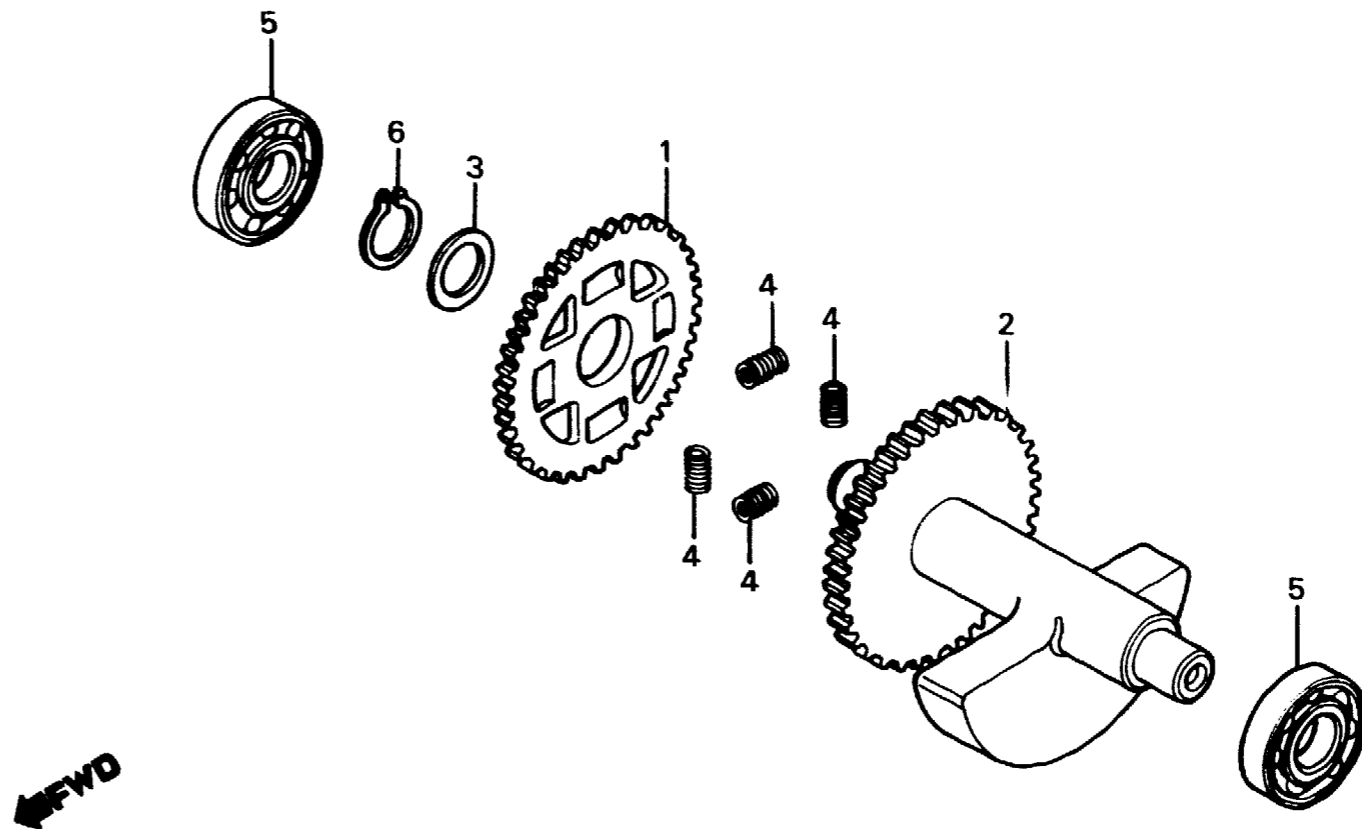
**E-12**

**Balancer**

**Balancier**

**Ausgleicher**

**Balancador**



BMG2-8

Service item	F.R.T.	Ref. No.	Part No.	Description	Reqd. No. XL600						Serial No.	Area code	
					Rd	Ld	RE	LE	Rf	Lf			
GEAR, BALANCER SUB DRIVEN (INC. RELATIVE PART) • SHAFT COMP., BALANCER • BEARING, RADIAL BALL, 17X42X12	*5.3	1	13419-MG2-000	GEAR, BALANCER SUB DRIVEN (41T)	1	1	1	1					
		*	13419-MG2-790	GEAR, BALANCER SUB DRIVEN						1	1		
		2	13420-MG2-000	SHAFT COMP., BALANCER		1	1	1	1				
		*	13420-MG2-790	SHAFT COMP., BALANCER							1	1	
		3	13423-MG2-003	SPRING, BALANCER DISK		1	1	1	1	1	1	1	
		4	14333-KF0-000	SPRING, BALANCER GEAR		4	4	4	4	4	4	4	
		5	91005-MG3-003	BEARING, RADIAL BALL, 17X42X12		2	2	2	2	2	2	2	
6	94510-32100	CIRCLIP, EXTERNAL, 32		1	1	1	1	1	1	1			

# D 16



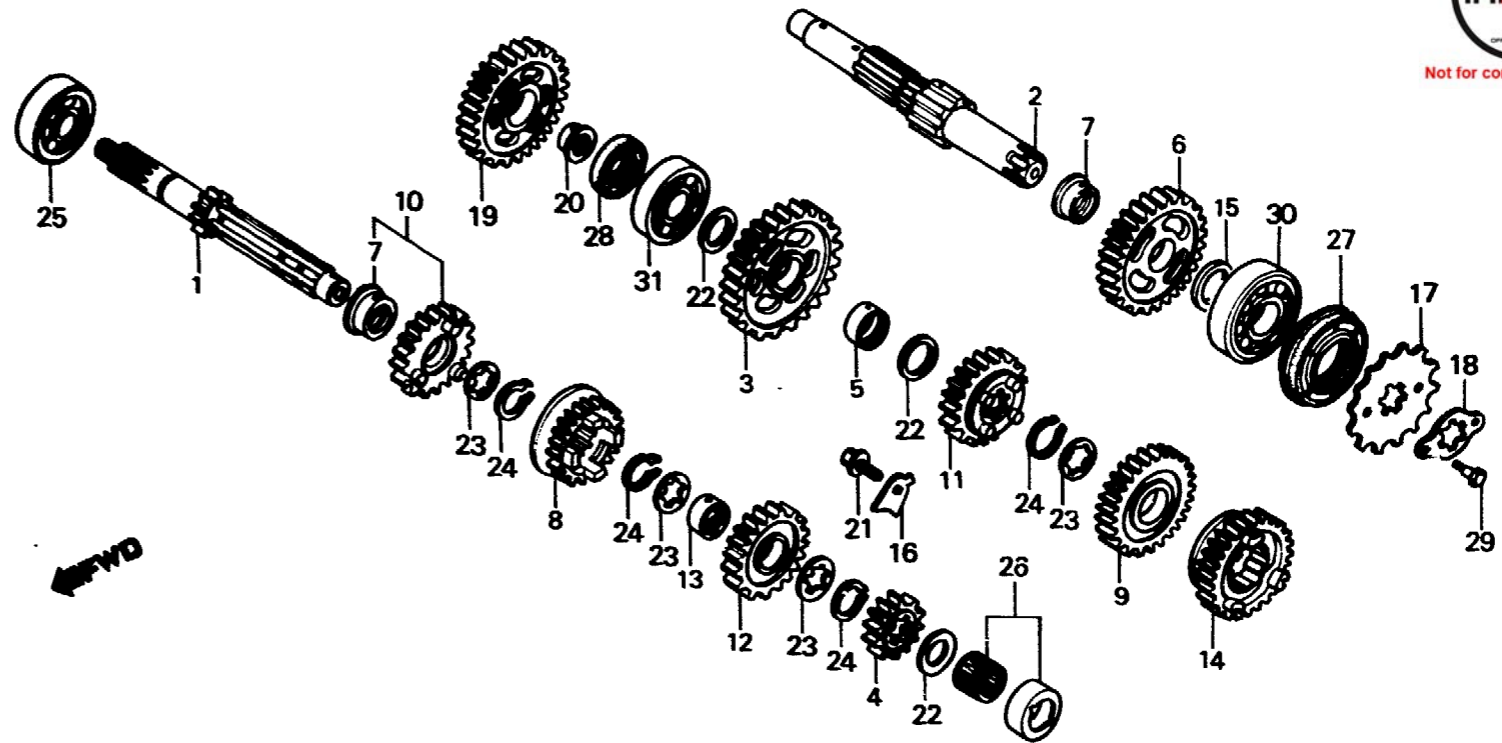
## E-13

Transmission

Transmission

Getriebe

Transmisión



BMG3-13B

Service item	F.R.T.	Ref. No.	Part No.	Description	Reqd. No. XL600						Serial No.	Area code
					Rd	Ld	Re	Le	Rf	Lf		
MAINSHAFT, TRANSMISSION (INC. RELATIVE PART) COUNTERSHAFT COMP., TRANSMISSION (INC. RELATIVE PART) (WHEN SERVICING COMP., UNIT, F.R.T. IS 5.5.) SPROCKET, DRIVE	*5.3	1	23211-MG3-000	MAINSHAFT, TRANSMISSION (13T)	1	1	1	1	1	1		
		2	23220-MG3-000	COUNTERSHAFT COMP., TRANSMISSION	1	1	1	1	1	1		
		3	23411-MG3-000	GEAR, COUNTERSHAFT LOW (32T)	1	1	1	1				
		*	23411-MG2-790	GEAR, COUNTERSHAFT LOW (31T)					1	1		
			4	23421-MG3-000	GEAR, MAINSHAFT SECOND (17T)	1	1	1	1	1	1	
			5	23422-MG3-000	BUSH, 20MM	1	1	1	1			
	0.2	*	23422-MG2-000	BUSH, 20MM					1	1		
			6	23431-MG3-000	GEAR, COUNTERSHAFT SECOND (28T)	1	1	1	1	1	1	
		7	23432-MG3-000	BUSH, 25MM	2	2	2	2	2	2		
		8	23441-MG3-000	GEAR, MAINSHAFT THIRD (20T)	1	1	1	1				
		*	23441-MG2-790	GEAR, MAINSHAFT THIRD (20T)					1	1		

# E 1



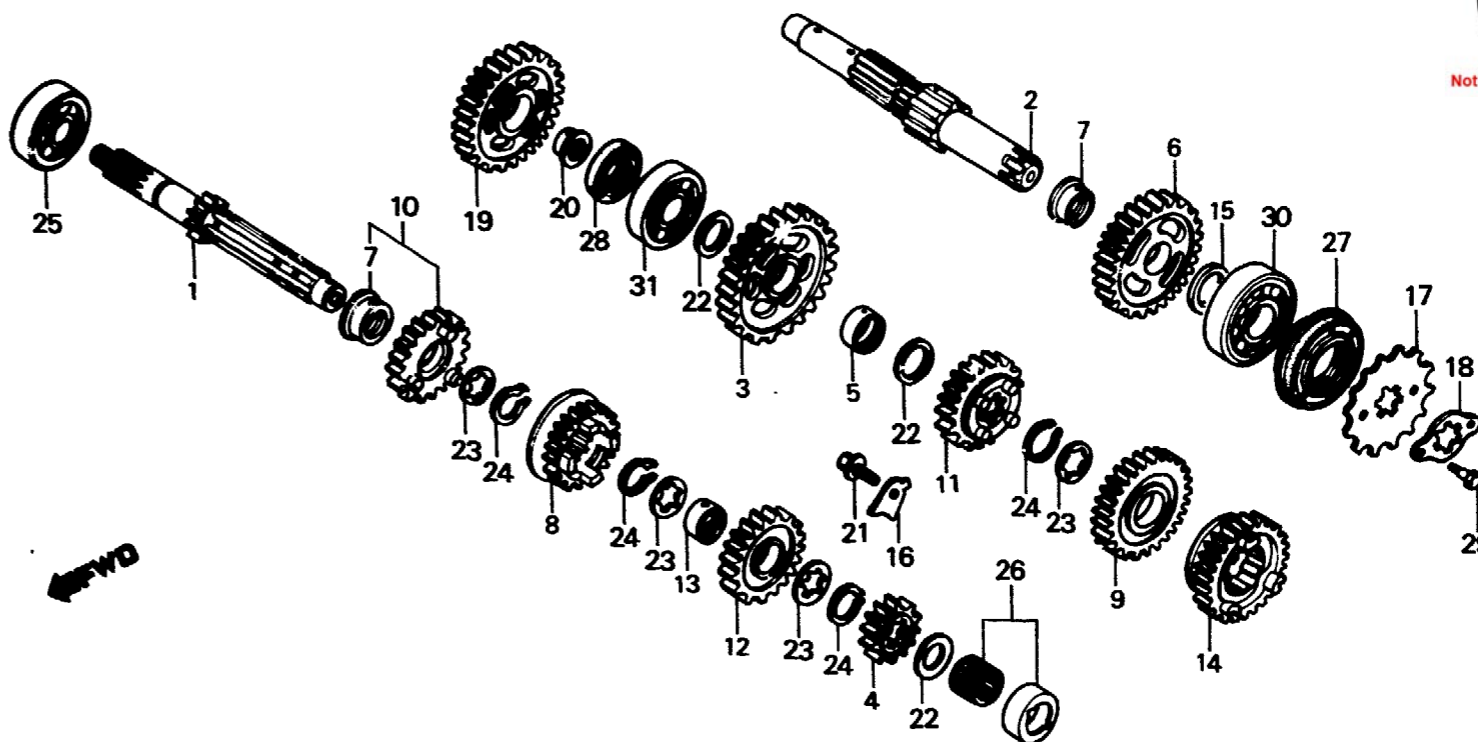
## E-13

Transmission

Transmission

Getriebe

Transmisión

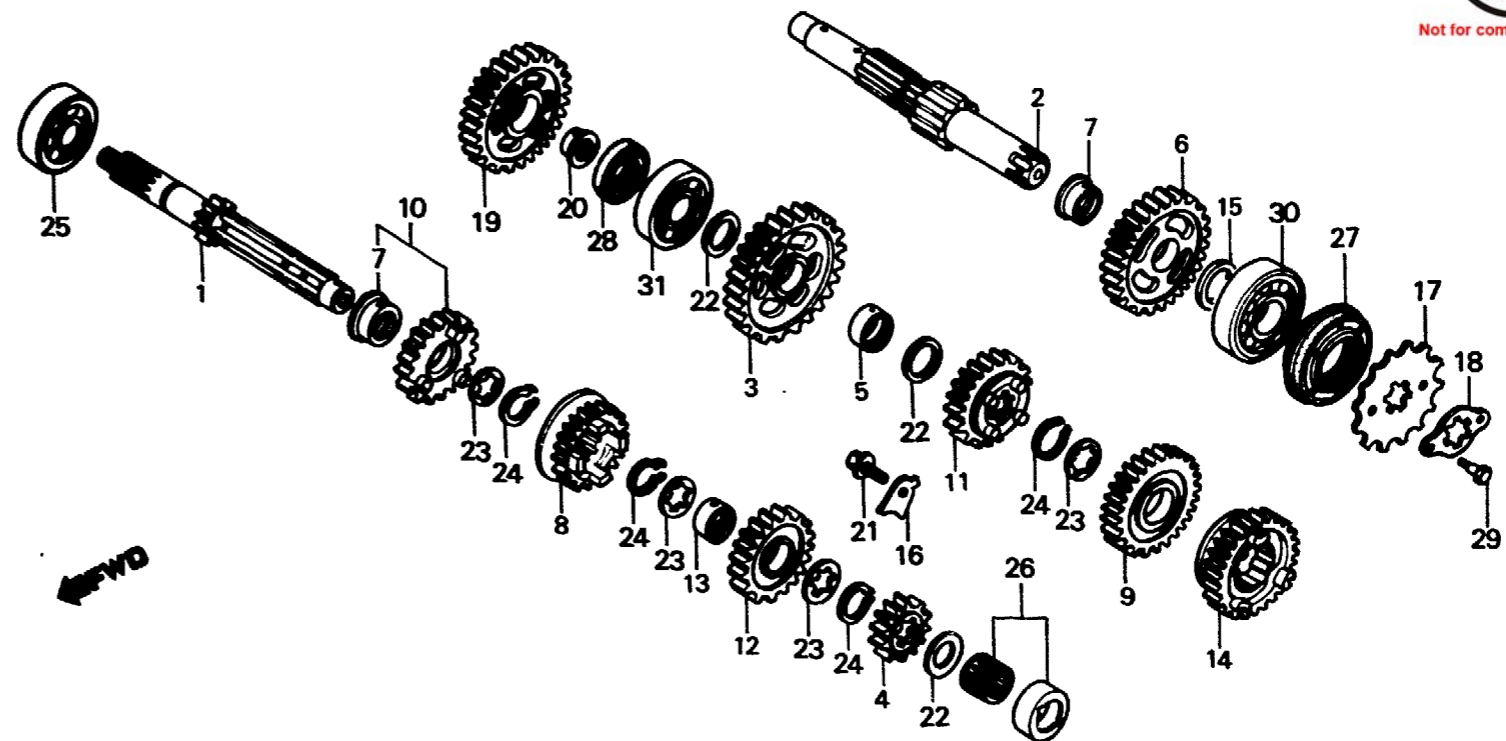


BMG3-13B

Service item	F.R.T.	Ref. No.	Part No.	Description	Reqd. No. XL600						Serial No.	Area code
					Rd	Ld	Re	Le	Rf	Lf		
		9	23451-MG3-000	GEAR, COUNTERSHAFT THIRD (25T)	1	1	1	1				
		*	23451-MG2-790	GEAR, COUNTERSHAFT THIRD (25T)							5014667	B,CM,E,ED,F,G IT,SA,SD,SW,U
		10	23461-MG3-000	GEAR, MAINSHAFT FOURTH (23T)	1	1						
			23461-MG3-010	GEAR, MAINSHAFT FOURTH (23T)	1	1					5014668	AR B,CM,E,ED,F,G IT,SA,SD,SW,U
		*	23461-MG2-790	GEAR, MAINSHAFT FOURTH (23T)			1	1				
		11	23471-MG3-000	GEAR, COUNTERSHAFT FOURTH (23T)	1	1	1	1				
		*	23471-MG2-790	GEAR, COUNTERSHAFT FOURTH (23T)								1 1
		12	23481-MG3-000	GEAR, MAINSHAFT FIFTH (25T)	1	1	1	1				
		*	23481-MG2-790	GEAR, MAINSHAFT FIFTH (25T)								1 1

**E-13**

**Transmission**  
**Transmission**  
**Getriebe**  
**Transmisión**



BMG3-13B

Service item	F.R.T.	Ref. No.	Part No.	Description	Reqd. No. XL600						Serial No.	Area code
					Rd	Ld	Re	Le	Rf	Lf		
		13	23485-369-000	BUSH, SPLINE, 28MM	1	1	1	1	1	1		
		14	23491-MG3-000	GEAR, COUNTERSHAFT FIFTH (21T)	1	1	1	1				
		* 15	23491-MG2-790	GEAR, COUNTERSHAFT FIFTH (21T)					1	1		
		15	23522-MG3-000	COLLAR, COUNTERSHAFT	1	1	1	1	1	1		
		* 16	23531-MG2-790	PLATE, BEARING SETTING					1	1		
		17	23801-MC4-000	SPROCKET, DRIVE (15T)	1	1	1	1	1	1		
		18	23811-292-000	PLATE, DRIVE SPROCKET FIXING	1	1	1	1	1	1		
		19	28221-MG3-000	GEAR, KICK IDLE (33T)	1	1	1	1	1	1		
		20	28222-MG3-000	BUSH, 16MM	1	1	1	1	1	1		
		* 21	90071-MF5-000	BOLT, SOCKET FLANGE, 6X14					1	1		
		22	90451-MG3-000	PLATE, THRUST, 20MM	3	3	3	3	3	3		
		23	90451-413-000	WASHER, THRUST, 25MM	4	4	4	4	4	4		
		24	90601-107-000	CIRCLIP, 25MM	4	4	4	4	4	4		
		25	91002-422-008	BEARING, RADIAL BALL, 5205A	1	1	1	1	1	1		

# E 3



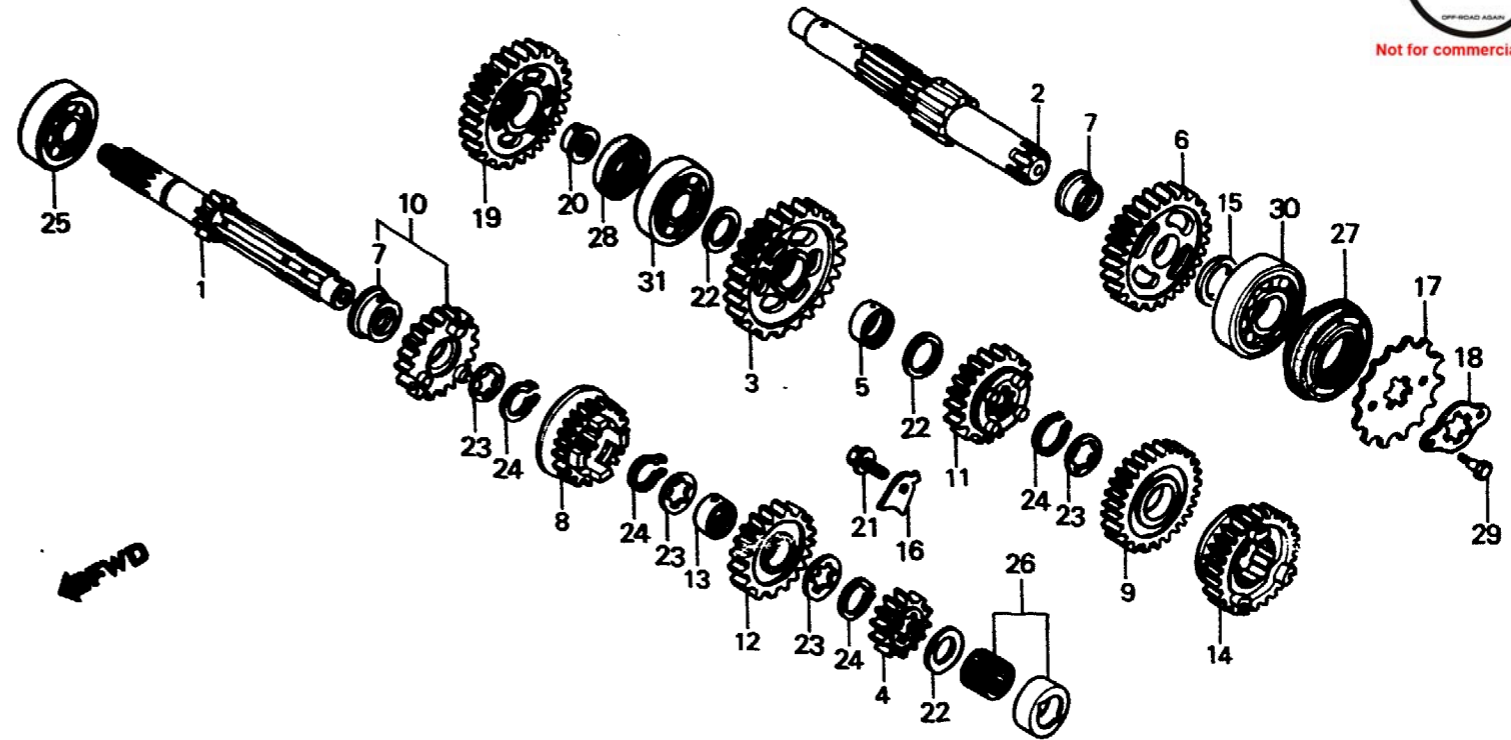
## E-13

Transmission

Transmission

Getriebe

Transmisión



BMG3-13B

Service item	F.R.T.	Ref. No.	Part No.	Description	Reqd. No. XL600						Serial No.	Area code
					Rd	Ld	RE	LE	Rf	Lf		
		26	91022-426-008	BEARING, NEEDLE, 20MM (TOYO)	1	1	1	1				
		*	91022-MG2-790	BEARING, NEEDLE, 20MM					1	1		
		27	91204-MG3-003	OIL SEAL, 25X45X7	1	1	1	1	1	1		
		28	91204-216-003	OIL SEAL, 20X35X5.5	1	1	1	1	1	1		
		*29	92000-06010-0A	BOLT, HEX., 6X10	2	2	2	2	2	2		
		30	96100-63053-00	BEARING, RADIAL BALL (6305)	1	1	1	1				
		*	91002-MG2-790	BEARING, RADIAL BALL, 6305					1	1		
		31	96140-62043-00	BEARING, RADIAL BALL (6204)	1	1	1	1				
		*	91003-MG2-790	BEARING, RADIAL BALL, 6204U					1	1		

# E 4

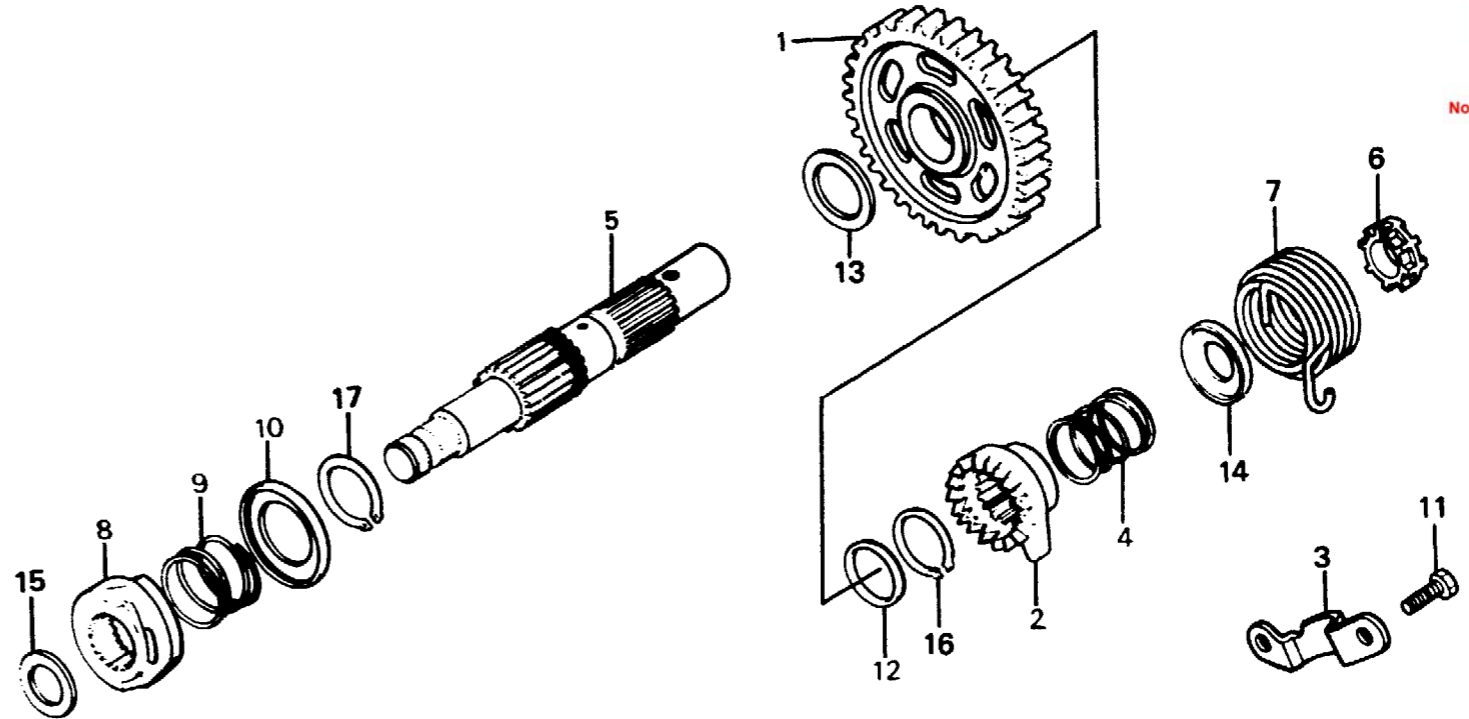
## E-14

Kick starter spindle

Broche de kick de démarrage

Kickstarterspindel

Eje de arranque de pie



BMG2-9

Service item	F.R.T.	Ref. No.	Part No.	Description	Reqd. No. XL600						Serial No.	Area code
					Rd	Ld	Re	Le	Rf	Lf		
PINION • RATCHET, KICK STARTER (INC. RELATIVE PART) • SPINDLE, KICK STARTER • SPRING, KICK STARTER CAM, KICK STARTER SHAFT	0.8	1	28211-MG3-000	PINION (36T)	1	1	1	1	1	1		
		2	28213-KF0-000	RATCHET, KICK STARTER	1	1	1	1	1	1		
		3	28215-MG3-000	PLATE, KICK STOPPER	1	1	1	1	1	1		
		4	28223-KF0-004	SPRING, KICK STARTER RATCHET	1	1	1	1	1	1		
		5	28250-MG3-000	SPINDLE, KICK STARTER	1	1	1	1	1	1		
	0.6	6	28255-MG3-000	COLLAR, KICK STARTER	1	1	1	1				
		* 7	28255-MG3-010	COLLAR, KICK STARTER					1	1		
		7	28261-MG3-000	SPRING, KICK STARTER	1	1	1	1	1	1		
		8	28272-MG2-003	CAM, KICK STARTER SHAFT	1	1	1	1	1	1		
		9	28283-428-000	SPRING, CAM RESET	1	1	1	1	1	1		
		10	28284-428-000	SEAT, CAM RESET SPRING	1	1	1	1	1	1		
		11	90131-MA7-000	BOLT, SOCKET, 8X20	2	2	2	2	2	2		
		12	90453-428-000	WASHER, THRUST, 22MM	1	1	1	1	1	1		
		13	90456-323-000	WASHER, THRUST, 22MM	1	1	1	1	1	1		
		14	90501-KF0-000	WASHER, RATCHET SPRING	1	1	1	1	1	1		
	15	90554-700-000	WASHER, THRUST, 20MM	1	1	1	1	1	1			



**E 5**

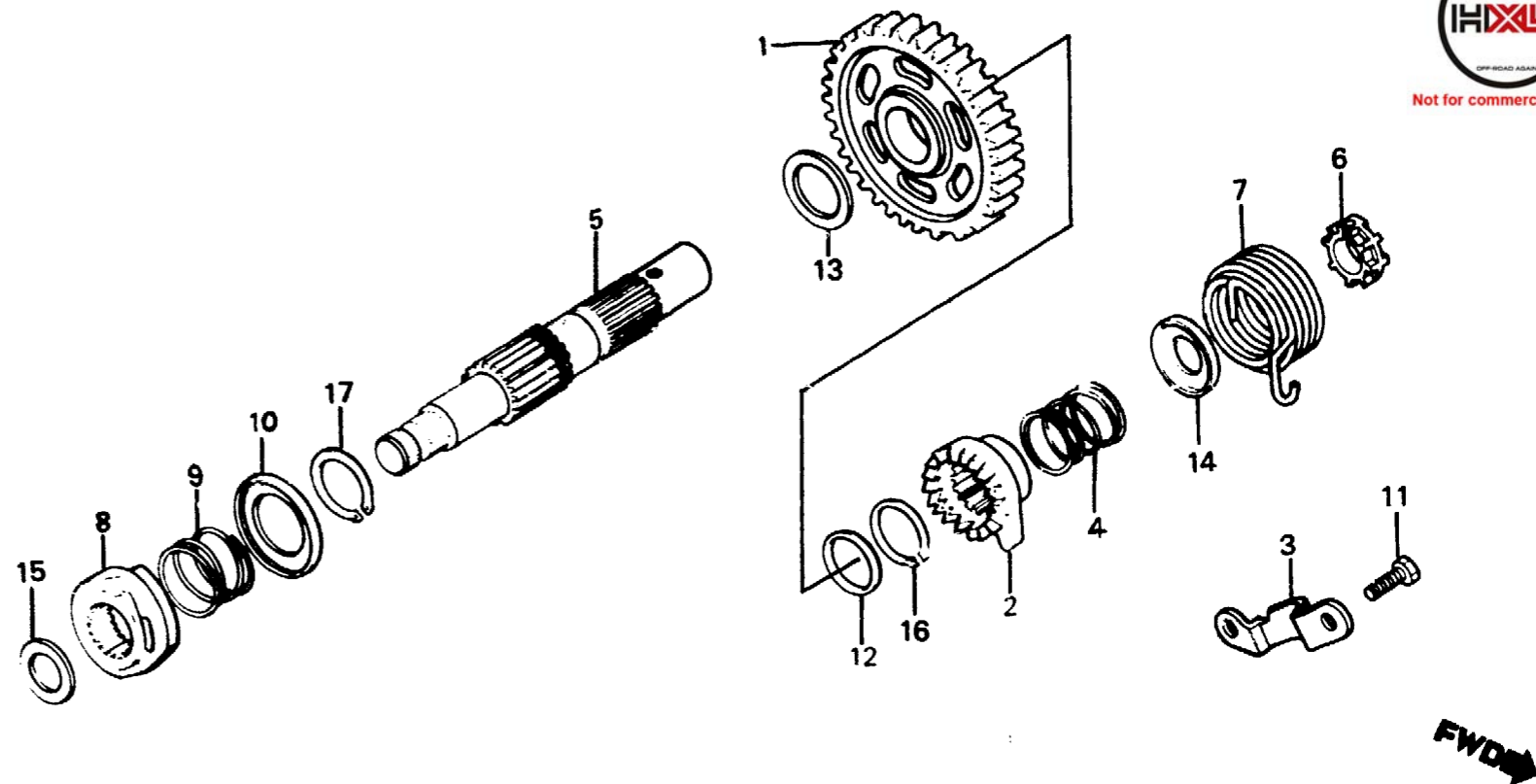
**E-14**

**Kick starter spindle**

**Broche de kick de démarrage**

**Kickstärspindel**

**Eje de arranque de pie**



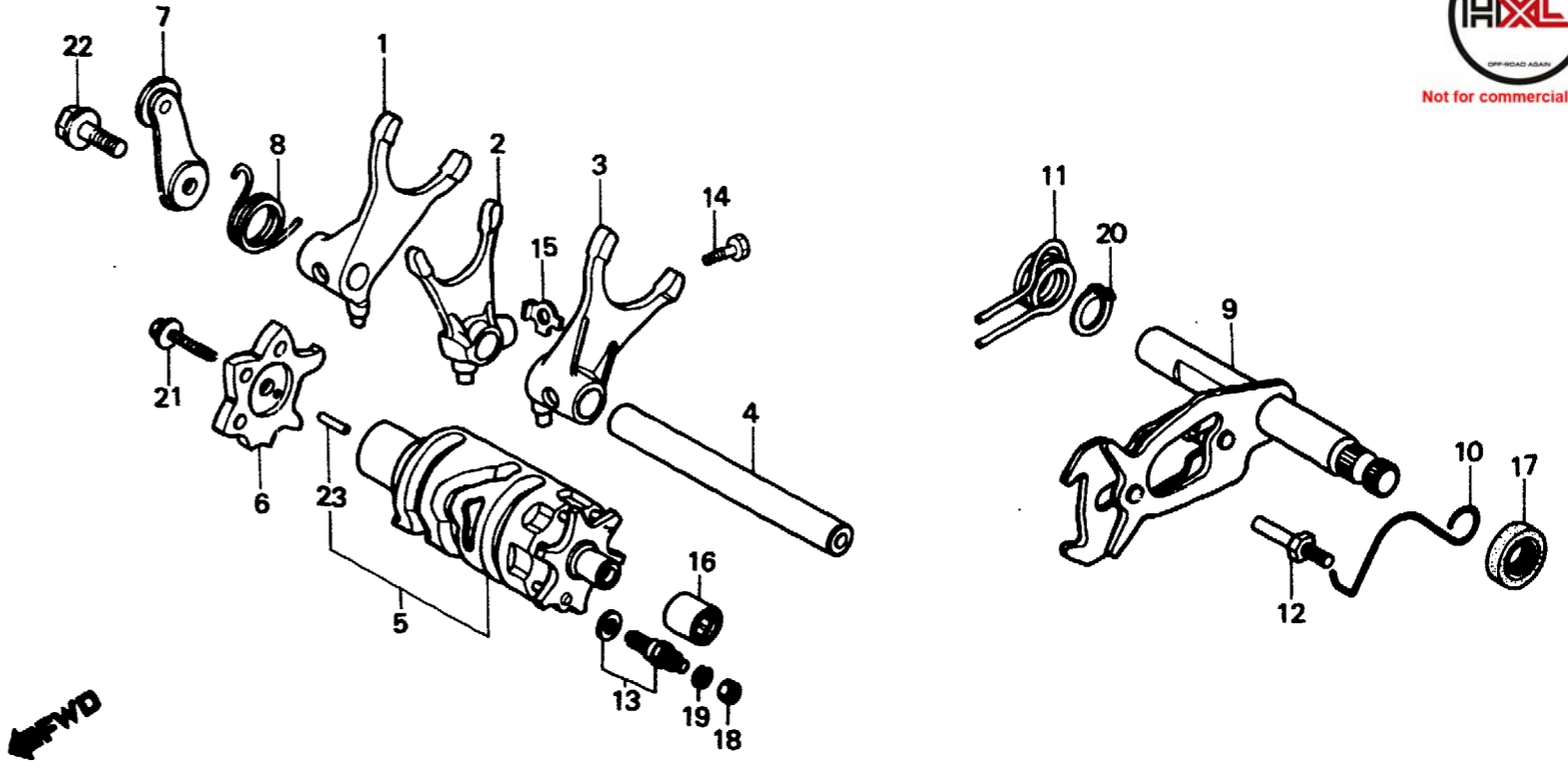
BMG2-9

Service item	F.R.T.	Ref. No.	Part No.	Description	Reqd. No.						Serial No.	Area code
					Rd	Ld	RE	LE	Rf	Lf		
		16	90601-329-000	CIRCLIP, 22MM	1	1	1	1	1	1		
		17	94510-24000	CIRCLIP, EXTERNAL, 24	1	1	1	1	1	1		

# E 6

## E-15

**Shift drum**  
**Tambour de changement de vitesse**  
**Schaltwalze**  
**Tambor do cambio**



BMG2-10

Service item	F.R.T.	Ref. No.	Part No.	Description	Reqd. No. XL600						Serial No.	Area code
					Rd	Ld	RE	LE	Rf	Lf		
FORK, GEARSHIFT (INC. RELATIVE PART) (ONE OR ALL) • DRUM COMP., GEARSHIFT • SPINDLE COMP., GEARSHIFT • BEARING, NEEDLE, 12X16X10 CAM, GEARSHIFT	*5.3	1	24211-MG3-000	FORK, R. GEARSHIFT	1	1	1	1	1	1		
		2	24212-MG3-000	FORK, CENTER GEARSHIFT	1	1	1	1	1	1		
		3	24213-MG3-000	FORK, L. GEARSHIFT	1	1	1	1	1	1		
		4	24241-MG3-000	SHAFT, GEARSHIFT FORK GUIDE	1	1	1	1	1	1		
		5	24300-MG2-000	DRUM COMP., GEARSHIFT	1	1	1	1	1	1		
• BEARING, NEEDLE, 12X16X10 CAM, GEARSHIFT • STOPPER COMP., GEARSHIFT DRUM (INC. RELATIVE PART) SWITCH ASSY., NEUTRAL	0.8	6	24411-MG3-000	CAM, GEARSHIFT	1	1					B,CM,E,ED,F,G IT,SA,SD,SW,U	
			24411-MG3-010	CAM, GEARSHIFT	1				1	1	1	B,CM,E,ED,F,IT SA,SD,SW,U
	0.2	7	24430-MG3-000	STOPPER COMP., GEARSHIFT DRUM	1	1	1	1	1	1		
		8	24435-MG3-000	SPRING, SHIFT DRUM STOPPER	1	1					B,CM,E,ED,F,G IT,SA,SD,SW,U	

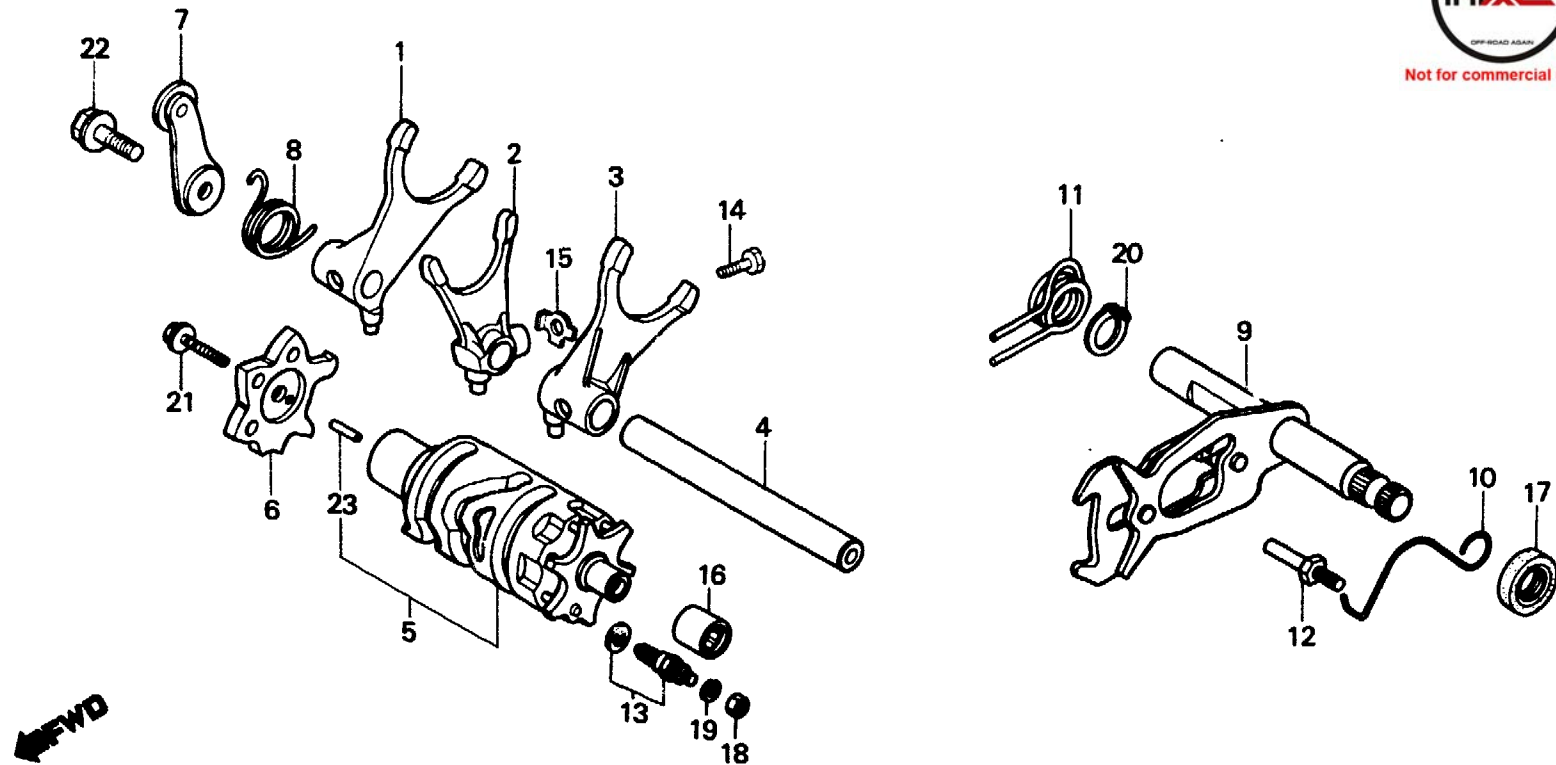
**E-15**

**Shift drum**

**Tambour de changement de vitesse**

**Schaltwalze**

**Tambor do cambio**



BMG2-10

Service item	F.R.T.	Ref. No.	Part No.	Description	Reqd. No. XL600						Serial No.	Area code
					Rd	Ld	RE	LE	Rf	Lf		
			24435-MG3-010	SPRING, SHIFT DRUM STOPPER	1				1			AR, 1G, 2G B, CM, E, ED, F, IT SA, SD, SW, U
		9	24610-MG3-000	SPINDLE COMP., GEARSHIFT	1	1					5011910	B, CM, E, ED, F, G IT, SA, SD, SW, U
			24610-MG3-010	SPINDLE COMP., GEARSHIFT	1	1			1		5011911	AR, 1G, 2G B, CM, E, ED, F, G IT, SA, SD, SW, U
							1	1	1	1		B, CM, E, ED, F, IT SA, SD, SW, U
		10	24624-KA4-000	SPRING, GEARSHIFT RESET	1	1	1	1	1	1		
		11	24651-KF0-003	SPRING, GEARSHIFT RETURN	1						5020225	B, CM, E, ED, F, G IT, SA, SD, U SW
					1							
						1						

# E 8

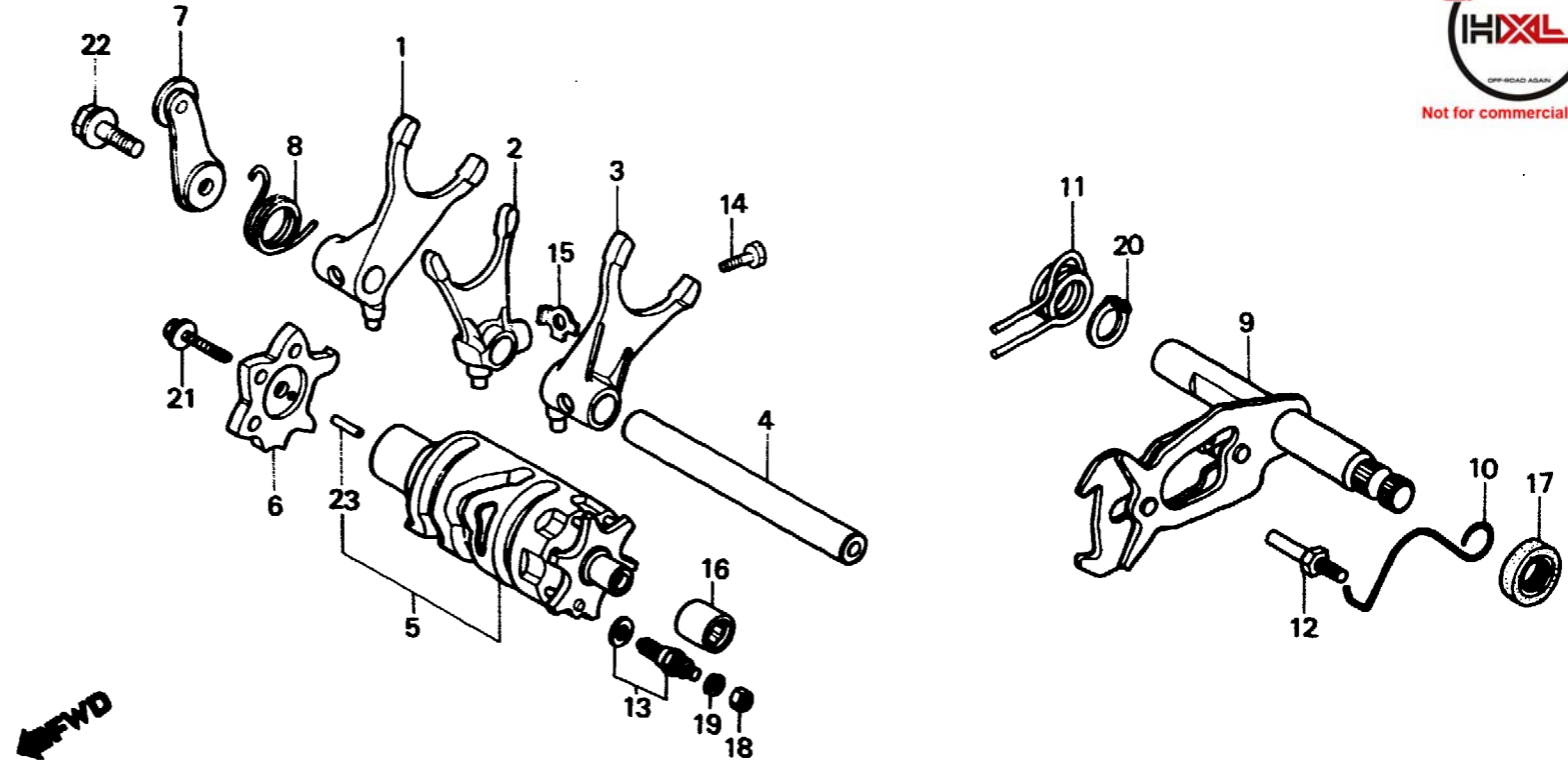
## E-15

Shift drum

Tambour de changement de vitesse

Schaltwalze

Tambor do cambio



BMG2-10

Service item	F.R.T.	Ref. No.	Part No.	Description	Reqd. No. XL600						Serial No.	Area code
					Rd	Ld	RE	LE	Rf	Lf		
			24651-KF0-013	SPRING, GEARSHIFT RETURN	1				1		5020226	AR,1G,2G B,CM,E,ED,F,G IT,SA,SD,U B,CM,E,ED,F,IT SA,SD,SW,U
		12	24652-259-000	PIN, SHIFT RETURN SPRING	1	1	1	1				
			24652-028-000	PIN, SHIFT RETURN SPRING					1	1		
		13	35600-413-003	SWITCH ASSY., NEUTRAL (TOYO)	1	1	1	1	1	1		
		14	90041-MB0-000	BOLT, SPECIAL, 7X18	1	1	1	1	1	1		
		15	90407-MG3-000	WASHER	1	1	1	1	1	1		
		16	91053-719-005	BEARING, NEEDLE, 12X16X10	1	1	1	1	1	1		
		17	91202-965-003	OIL SEAL, 14X28X7	1	1	1	1	1	1		
		18	94001-04080-0S	NUT, HEX., 4MM	1				1			AR,1G,2G B,CM,E,ED,F,IT SA,SD,SW,U
							1	1	1	1		

**E 9**

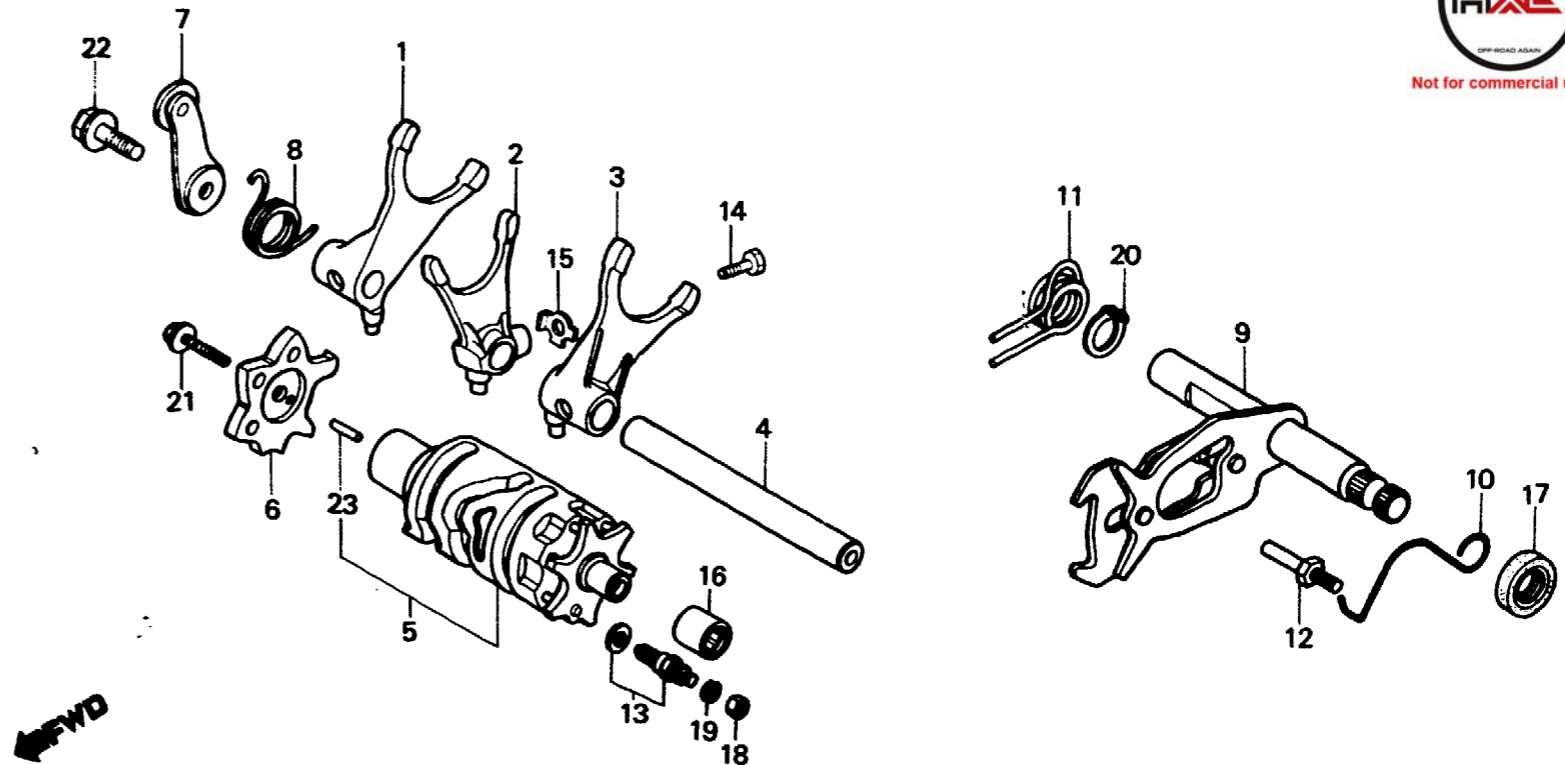
**E-15**

**Shift drum**

**Tambour de changement de vitesse**

**Schaltwalze**

**Tambor do cambio**



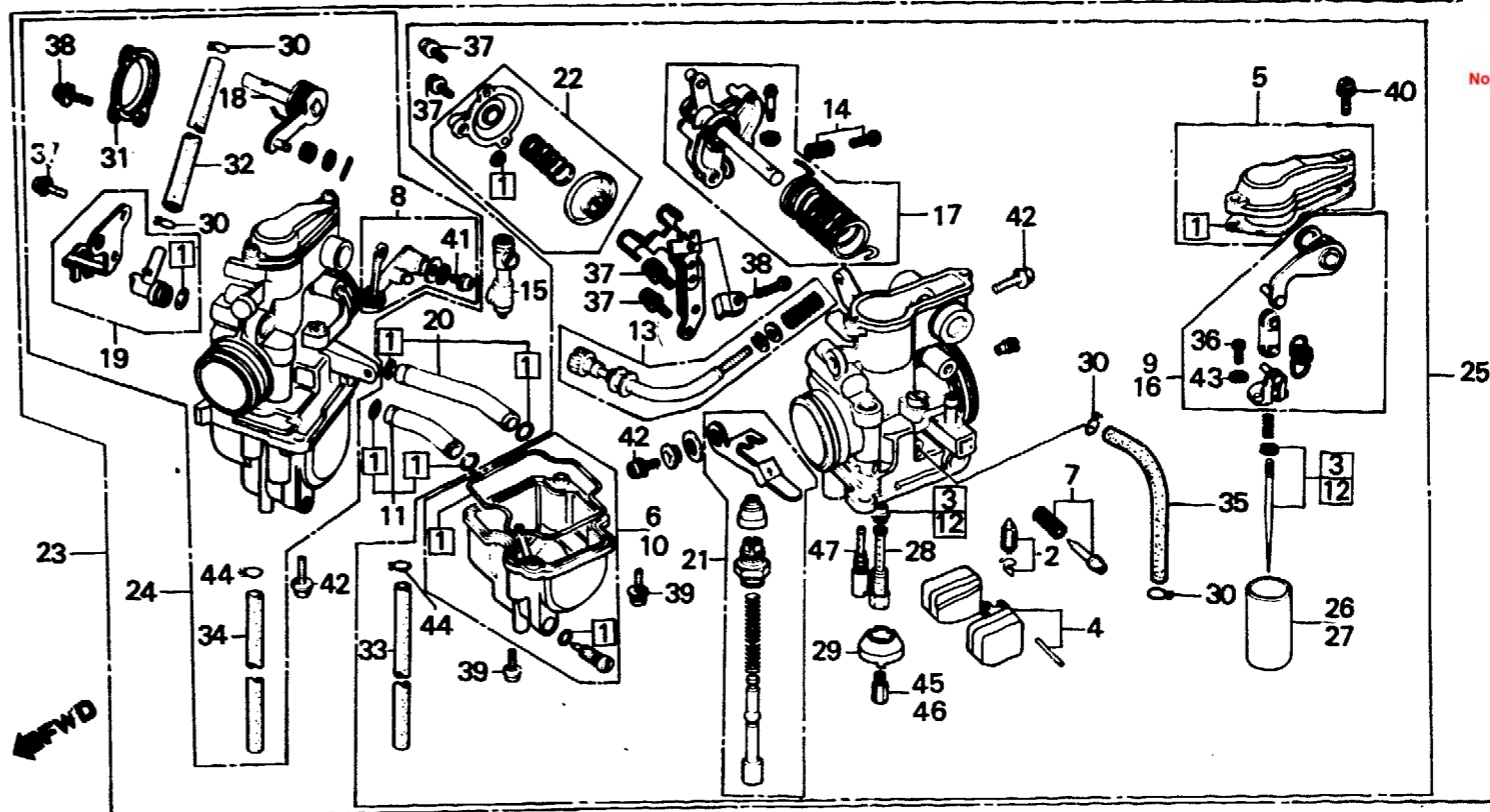
BMG2-10

Service item	F.R.T.	Ref. No.	Part No.	Description	Reqd. No. XL600						Serial No.	Area code
					Rd	Ld	RE	LE	Rf	Lf		
		19	94111-04800	WASHER, SPRING, 4MM	1				1			AR,1G,2G B,CM,E,ED,F,IT SA,SD,SW,U
		20	94510-14000	CIRCLIP, EXTERNAL, 14MM	1	1	1	1	1	1		
		21	95700-06020-00	BOLT, FLANGE, 6X20	1	1	1	1	1	1		
		22	95800-08020-00	BOLT, FLANGE, 8X20	1	1	1	1	1	1		
		23	96220-30080	ROLLER, 3X8	1	1	1	1	1	1		

# E 10

## E-16

Carburetor  
 Carburateur  
 Vergaser  
 Carburador



Not for commercial use

BMG2-61A

Service item	F.R.T.	Ref. No.	Part No.	Description	Reqd. No. XL600						Serial No.	Area code
					Rd	Ld	RE	LE	Rf	Lf		
VALVE SET, FLOAT	0.6	1	16010-MG2-004	GASKET SET	2	2		2				AR,B,CM,E,ED,F G,IT,SA,SD,U
• FLOAT SET					2							SW CM,SW
• VALVE SET, STARTER												
NEEDLE SET, JET	1.1		16010-MG2-601	GASKET SET				2	2			
TOP SET	0.4	*	16010-MG2-791	GASKET SET						2	2	
CHAMBER SET, FLOAT	0.3	2	16011-382-004	VALVE SET, FLOAT	2	2	2	2	2	2		
• JET SET, SECONDARY MAIN,		3	16012-MG2-004	NEEDLE SET, JET	1							CM,U
LEVER SET, LINK	0.9		16012-MG2-601	NEEDLE SET, JET	1	1		1				AR,B,E,ED,F,G IT,SA,SD
• ARM SET A, LINK					1							SW
• NEEDLE SET, JET								1				
• ARM SET, PRIMARY LINK			16012-MG2-741	NEEDLE SET, PRIMARY JET					1			
• LINK SET, THROTTLE			16012-MG2-761	NEEDLE SET, PRIMARY JET						1	1	SW
• CARBURETOR ASSY., R.		*	16012-MG2-701	NEEDLE SET, PRIMARY JET						1	1	AR,B,E,ED,F,IT SA,SD,SW,U,1G
• CARBURETOR ASSY., L.												2G
JOINT SET, FUEL	0.7										1	CM
• CARBURETOR ASSY.		*	16012-MG2-871	NEEDLE SET, PRIMARY JET							1	
VALVE SET, AIR CUT	0.8	4	16013-GC4-701	FLOAT SET	2	2	2	2	2	2	2	
VALVE, THROTTLE	0.5											
• VALVE A												
• JET, SLOW,												