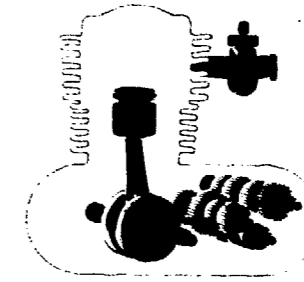
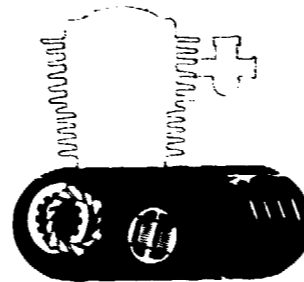
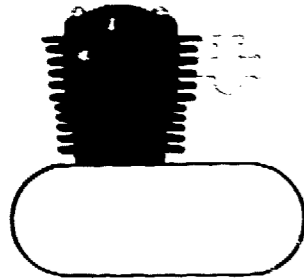


BLOCK INDEX - ENGINE GROUP



E- 1	Cylinder head cover	C 2
E- 2	Cylinder head.....	C 6
E- 3	Camshaft - Valve.....	C 11
E- 4	Cam chain - Tensioner	C 14
E- 5	Cylinder.....	C 15

E- 6	Right crankcase cover	C 16
E- 7	Clutch	D 3
E- 8	Oil pump	D 5
E- 9	Generator.....	D 7
E-10	Crankcase.....	D 10

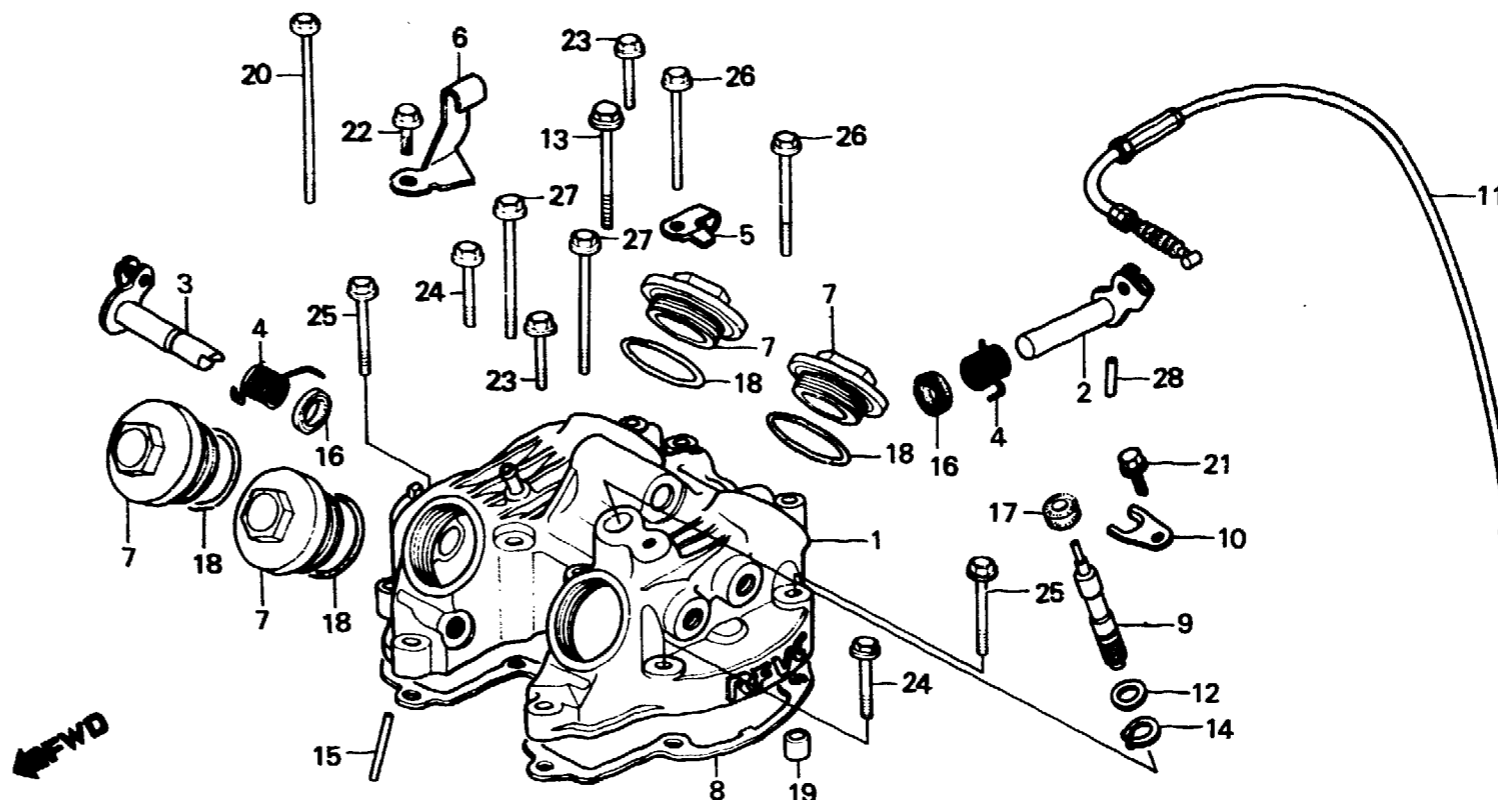
E-11	Piston - Crankshaft	D 13
E-12	Balancer	D 15
E-13	Transmission	D 16
E-14	Kick starter spindle	E 4
E-15	Shift drum	E 6
E-16	Carburetor.....	E 10
EOP-1	Gasket kit A.....	F 4
EOP-2	Gasket kit B	F 6

C 2



E-1

Cylinder head cover
Couvercle de culasse
Zylinderkopfdeckel
Cubierta de culata



BMG9-29A

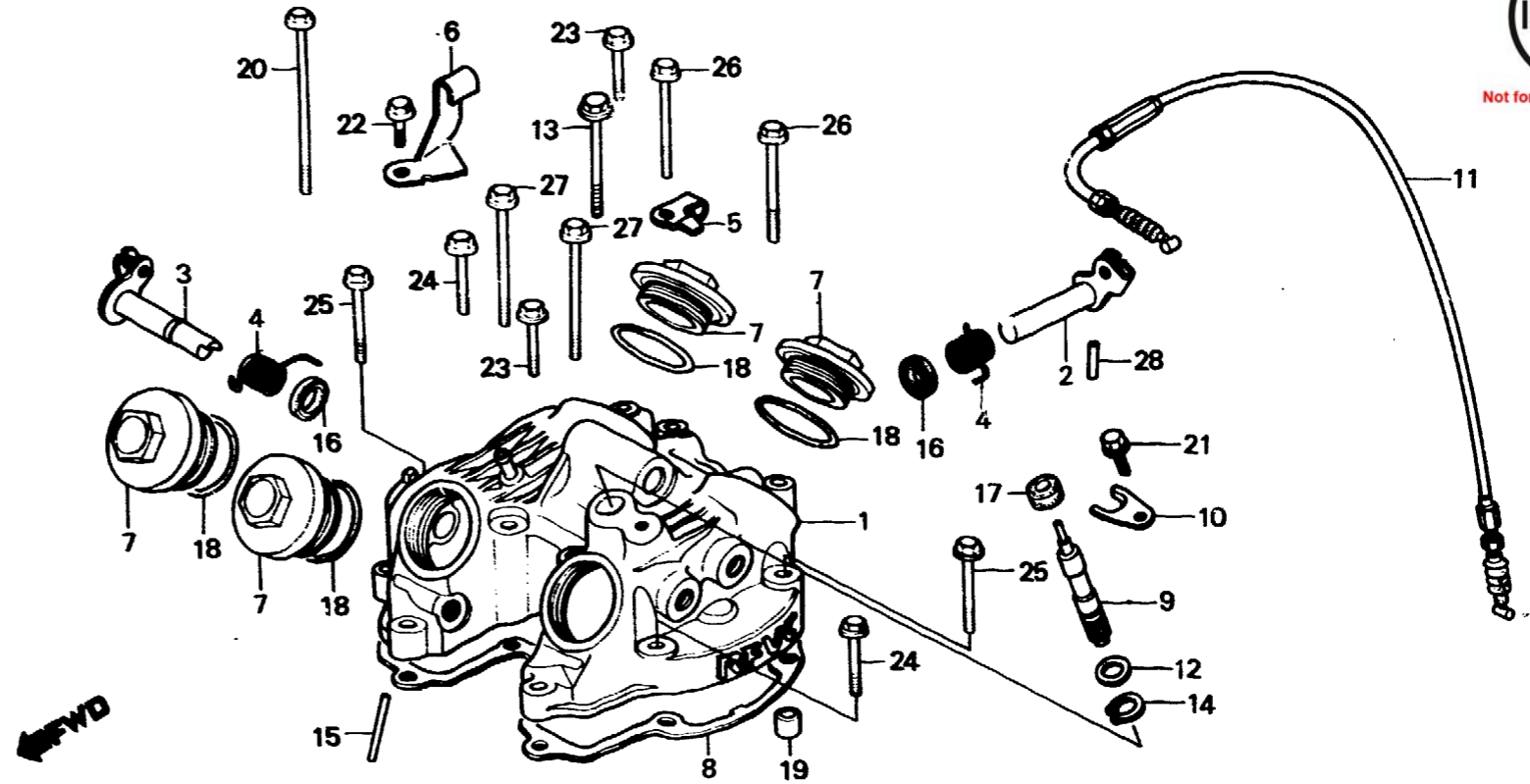
Service item	F.R.T.	Ref. No.	Part No.	Description	Reqd. No. XL600						Serial No.	Area code
					Rd	Ld	RE	LE	Rf	Lf		
COVER COMP., CYLINDER HEAD	*2.8	1	12311-MG2-000	COVER COMP., CYLINDER HEAD	1	1						B,E,ED,F,G,IT SA,SD,SW,U
GASKET, HEAD COVER												CM
LIFTER COMP. A, VALVE	*2.9		12311-MG2-670	COVER COMP., CYLINDER HEAD	1							AR,1G,2G
LIFTER COMP. B, VALVE			12311-MG2-020	COVER COMP., CYLINDER HEAD	1				1	1	1	B,E,ED,F,IT,SA SD,SW,U
SPRING, VALVE LIFTER								1				CM
GEAR, TACHOMETER DRIVEN (INC. RELATIVE PART)			12311-MG2-672	COVER COMP., CYLINDER HEAD			1		1			
OIL SEAL, 11X16X5			12318-MG2-000	LIFTER COMP. A, VALVE	1	1						B,CM,E,ED,F,G IT,SA,SD,SW,U
CABLE COMP., DECOMPRESSION	0.2											AR,1G,2G
			12318-MG2-010	LIFTER COMP. A, VALVE	1				1			B,CM,E,ED,F,IT SA,SD,SW,U
							1	1	1	1	1	
			12319-MG2-000	LIFTER COMP. B, VALVE	1	1	1	1	1	1	1	
			12321-MG3-000	SPRING, VALVE LIFTER	2	2	2	2	2	2	2	
			12323-MG2-000	RECEIVER A, DECOMPRESSION	1	1	1	1	1	1	1	
			12324-MG3-000	RECEIVER B, DECOMPRESSION	1	1	1	1	1	1	1	
			12361-KF0-000	CAP, TAPPET ADJUSTING HOLE	4	4	4	4	4	4	4	
			12391-MG3-004	GASKET, HEAD COVER	1	1						B,CM,E,ED,F,G IT,SA,SD,SW,U

C 3



E-1

Cylinder head cover
 Couvercle de culasse
 Zylinderkopfdeckel
 Cubierta de culata



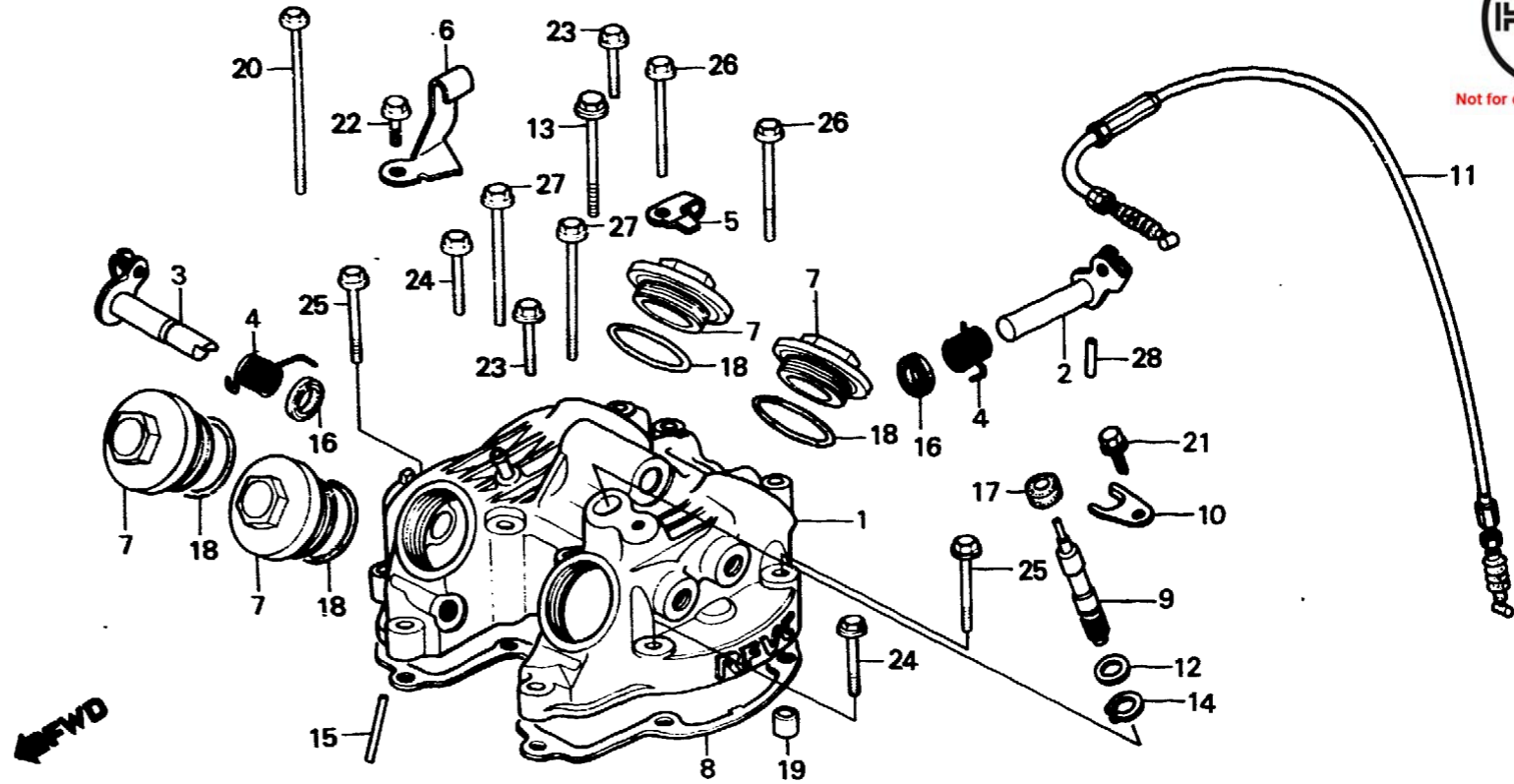
BMG9---29A

Service item	F.R.T.	Ref. No.	Part No.	Description	Reqd. No. XL600						Serial No.	Area code
					Rd	Ld	Re	Le	Rf	Lf		
			12391-MG3-014	GASKET, HEAD COVER	1				1			AR,1G,2G B,CM,E,ED,F,IT SA,SD,SW,U
		9	12431-MG2-000	GEAR, TACHOMETER DRIVEN	1	1			1	1		AR,B,E,ED,F,G IT,SA,SD,SW,U
		10	12441-MG2-000	PLATE, TACHOMETER CABLE FIXING	1	1			1	1		1G,2G AR,B,E,ED,F,G IT,SA,SD,SW,U
		11	28294-MG2-000	CABLE COMP., DECOMPRESSION	1	1	1	1	1	1		
		12	66853-SA4-000	WASHER, PLAIN	1	1			1	1		AR,B,E,ED,F,G IT,SA,SD,SW,U
		13	90044-428-000	BOLT, UBS, 8X70	1	1	1	1	1	1		1G,2G
		14	90604-844-000	CIRCLIP, EXTERNAL, 8MM	1	1			1	1		AR,B,E,ED,F,G IT,SA,SD,SW,U
		15	91101-MG3-000	PIN, DOWEL, 4X44	1	1	1	1	1	1		1G,2G

C 4

E-1

Cylinder head cover
Couvercle de culasse
Zylinderkopfdeckel
Cubierta de culata



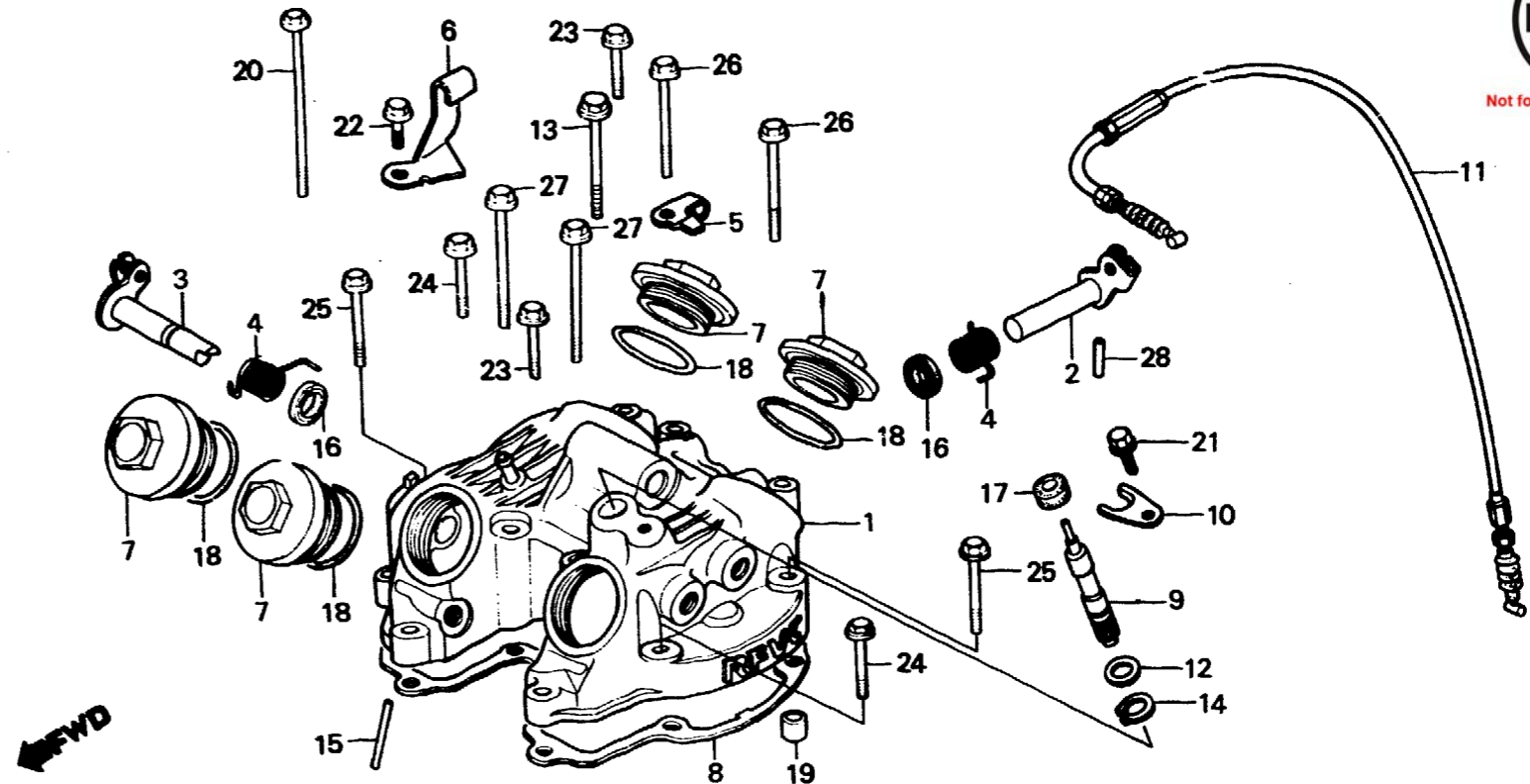
BMG9-29A

Service item	F.R.T.	Ref. No.	Part No.	Description	Reqd. No.						Serial No.	Area code
					Rd	Ld	XL600	RE	LE	Rf		
		16	91202-MG3-003	OIL SEAL, 11X16X5	2	2	2	2	2	2		AR,B,E,ED,F,G IT,SA,SD,SW,U 1G,2G
			91202-MG3-005	OIL SEAL, 11X16X5	2	2	2	2	2	2		
		17	91256-657-920	OIL SEAL, 4.8X15X4	1	1		1	1	1		
		18	91352-KF0-003	O-RING, 39.5X2.9	4	4	4	4	4	4		B,CM,E,ED,F,G IT,SA,SD,SW,U AR,1G,2G B,CM,E,ED,F,IT SA,SD,SW,U
		19	94301-08140	PIN, DOWEL, 8X14	2	2						
			94301-08200	PIN, DOWEL, 8X20	2				2	2	2	
							2	2	2	2		
		20	95700-06110-07	BOLT, FLANGE, 6X110	1	1	1	1	1	1		
		21	96000-06014-07	BOLT, FLANGE, 6X14	1	1		1	1	1		AR,B,E,ED,F,G IT,SA,SD,SW,U 1G,2G
		22	96000-06016-07	BOLT, FLANGE, 6X16	1	1	1	1	1	1		
		23	96000-06032-07	BOLT, FLANGE, 6X32	2	2	2	2	2	2		
		24	96000-06035-07	BOLT, FLANGE, 6X35	3	3	3	3	3	3		

C 5

E-1

Cylinder head cover
Couvercle de culasse
Zylinderkopfdeckel
Cubierta de culata



BMG9-29A

Service item	F.R.T.	Ref. No.	Part No.	Description	Reqd. No. XL600						Serial No.	Area code
					Rd	Ld	RE	LE	Rf	Lf		
		25	96000-06040-07	BOLT, FLANGE, 6X40	2	2	2	2	2	2		
		26	96000-06050-07	BOLT, FLANGE, 6X50	2	2	2	2	2	2		
		27	96000-06065-07	BOLT, FLANGE, 6X65	2	2	2	2	2	2		
		28	96220-40148	ROLLER, 4X14.8	1				1			AR,1G,2G B,CM,E,ED,F,IT SA,SD,SW,U
							1	1	1	1		

C 6

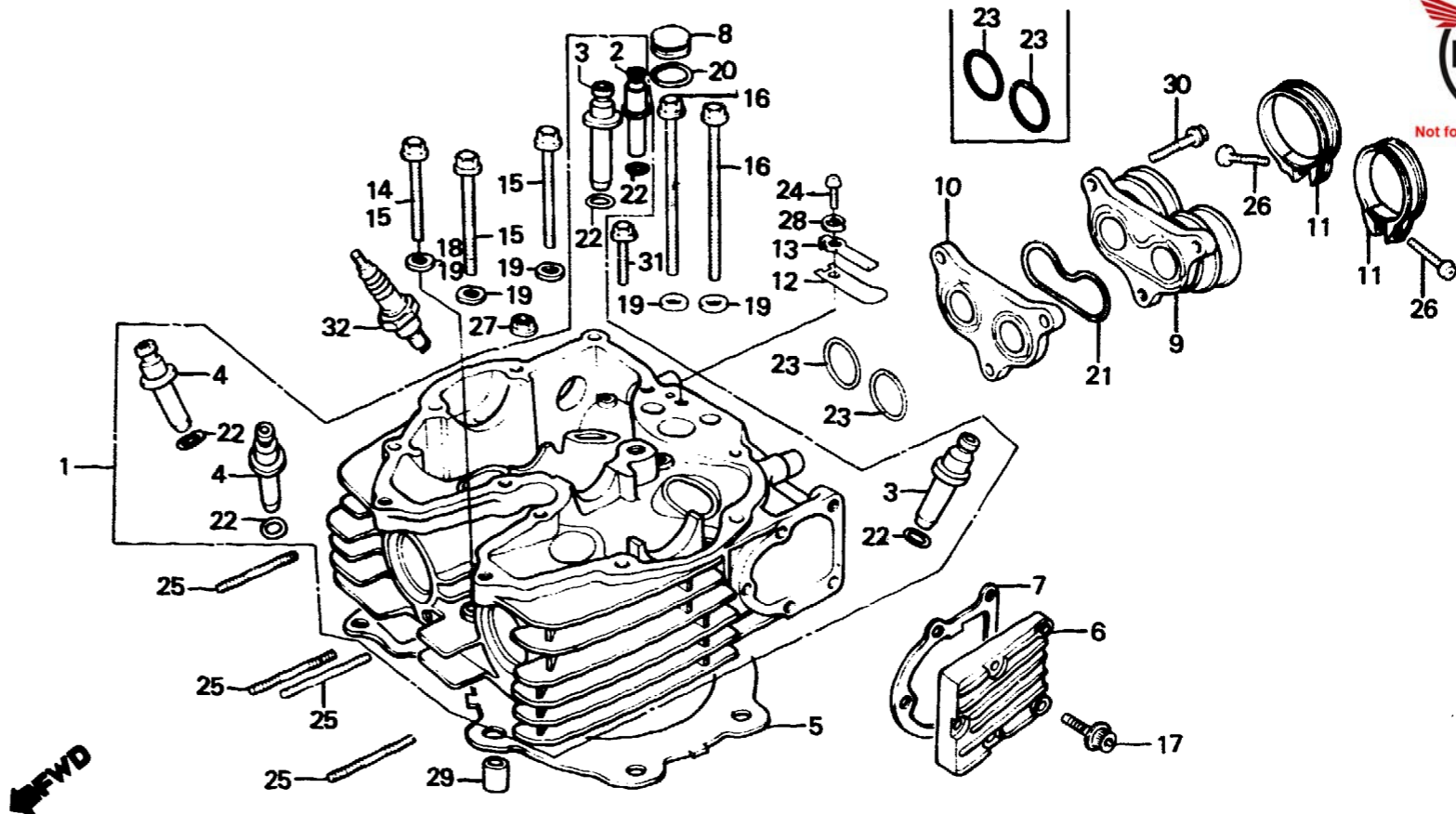
E-2

Cylinder head

Culasse

Zylinderkopf

Culata



Not for commercial use

BMG2-2A

Service item	F.R.T.	Ref. No.	Part No.	Description	Reqd. No. XL600						Serial No.	Area code
					Rd	Ld	RE	LE	Rf	Lf		
HEAD, CYLINDER	*4.6	1	12200-MG2-000	HEAD, CYLINDER	1	1						B,CM,E,ED,F,G
GUIDE, VALVE (INC. REAMING) (ADD 0.2 FOR EACH.) (EXC. VALVE REFACING) (ADD MORE 0.2 IF PERFORMED)	*3.9		12200-MG2-020	HEAD, CYLINDER	1							IT,SA,SD,SW,U
GASKET, CYLINDER HEAD	*3.5	*	12200-MG2-790	HEAD, CYLINDER			1	1				AR
COVER, DECOMPRESSION	0.1	2	12208-MG2-300	GUIDE, DECOMPRESSION VALVE	1	1	1	1	1	1		
INSULATOR, CARBURETOR	0.4	3	12231-MG3-305	GUIDE, IN. VALVE	2	2	2	2				
INSULATOR, HEAT	0.3	*	12231-MG2-306	GUIDE, IN. VALVE					2	2		
BOLT, STUD, 8X40 (ADD 0.1 FOR EACH.)	*2.9	4	12241-MG3-315	GUIDE, EX. VALVE	2	2	2	2				
VALVE COMP., REED		*	12241-MG2-306	GUIDE, EX. VALVE					2	2		
		5	12251-MG2-004	GASKET, CYLINDER HEAD	1	1	1	1				
		*	12251-MG2-791	GASKET, CYLINDER HEAD					1	1		
		6	12330-MG2-000	COVER, DECOMPRESSION	1	1	1	1	1	1		
		7	12332-MG3-004	GASKET, DECOMPRESSION COVER	1	1						B,CM,E,ED,F,G
			12332-MG2-000	GASKET, DECOMPRESSION COVER	1			1				IT,SA,SD,U
									1	1		SW
												AR,1G,2G
												B,CM,E,ED,F,IT
												SA,SD,SW,U

C 7

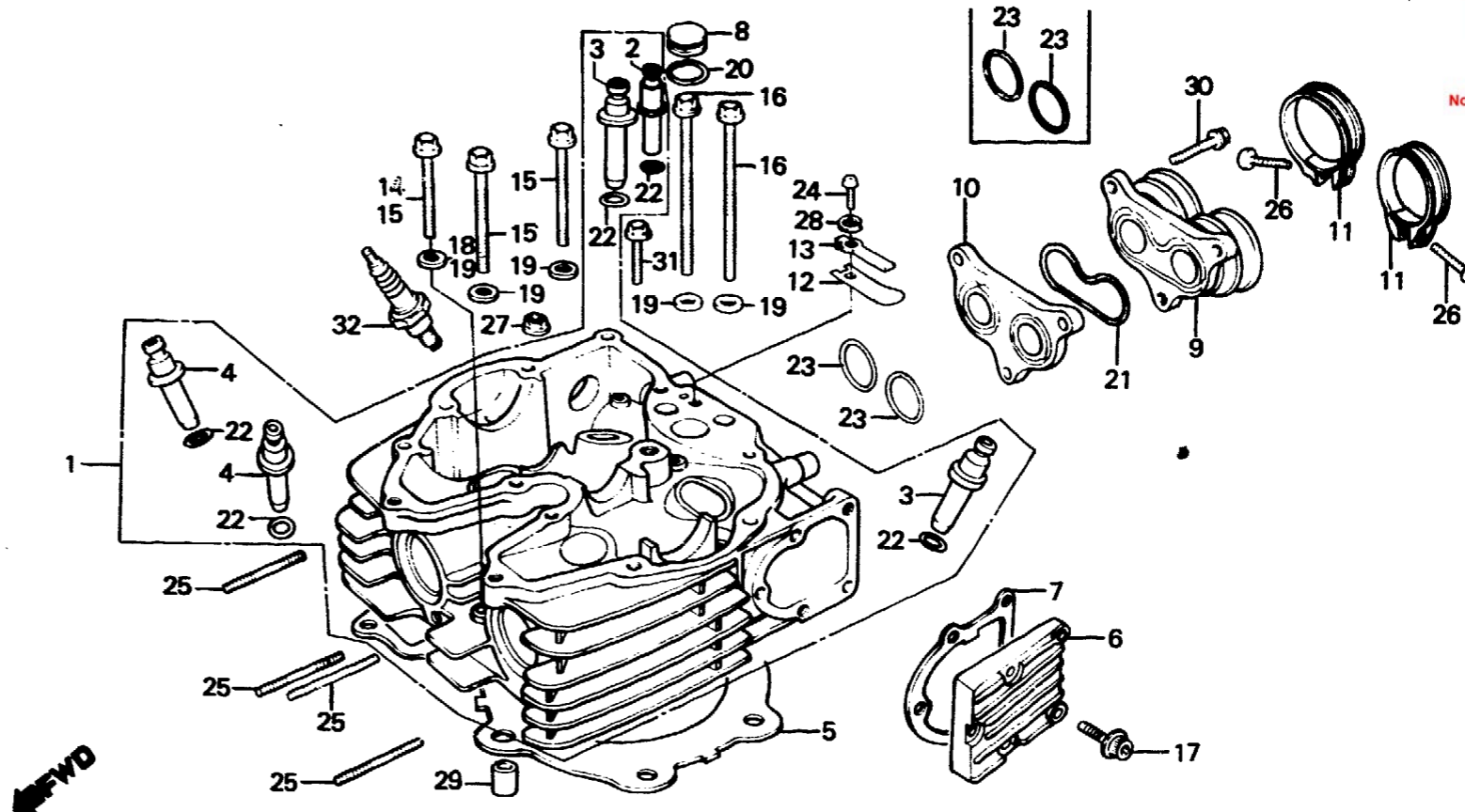
E-2

Cylinder head

Culasse

Zylinderkopf

Culata



BMG2-2A

Service item	F.R.T.	Ref. No.	Part No.	Description	Reqd. No. XL600						Serial No.	Area code
					Rd	Ld	RE	LE	Rf	Lf		
		8	12345-MG3-000	CAP	1	1	1	1	1	1		
		9	16211-MG3-000	INSULATOR, CARBURETOR	1	1						B,CM,E,ED,F,G IT,SA,SD,SW,U
			16211-MG3-010	INSULATOR, CARBURETOR	1				1	1		AR,1G,2G B,CM,E,ED,F,IT SA,SD,SW,U
		10	16215-MG3-000	INSULATOR, HEAT	1	1	1	1				
		*	16215-MG2-880	INSULATOR, HEAT					1	1		
		11	16223-357-010	BAND, INSULATOR	2	2	2	2	2	2		
		12	16311-MG3-000	VALVE COMP., REED	1	1						B,CM,E,ED,F,G IT,SA,SD,SW,U
		13	16312-MG3-000	STOPPER, REED VALVE	1	1						B,CM,E,ED,F,G IT,SA,SD,SW,U
		14	90081-MG3-003	BOLT, FLANGE, 8X62	1	1						B,CM,E,ED,F,G IT,SA,SD,SW,U
		15	90082-MG3-003	BOLT, FLANGE, 8X70	3				3			AR,1G,2G B,CM,E,ED,F,G IT,SA,SD,SW,U
					2	2	3	3	3	3		
		16	90083-MG3-003	BOLT, FLANGE, 8X100	3	3	3	3	3	3		

C 8

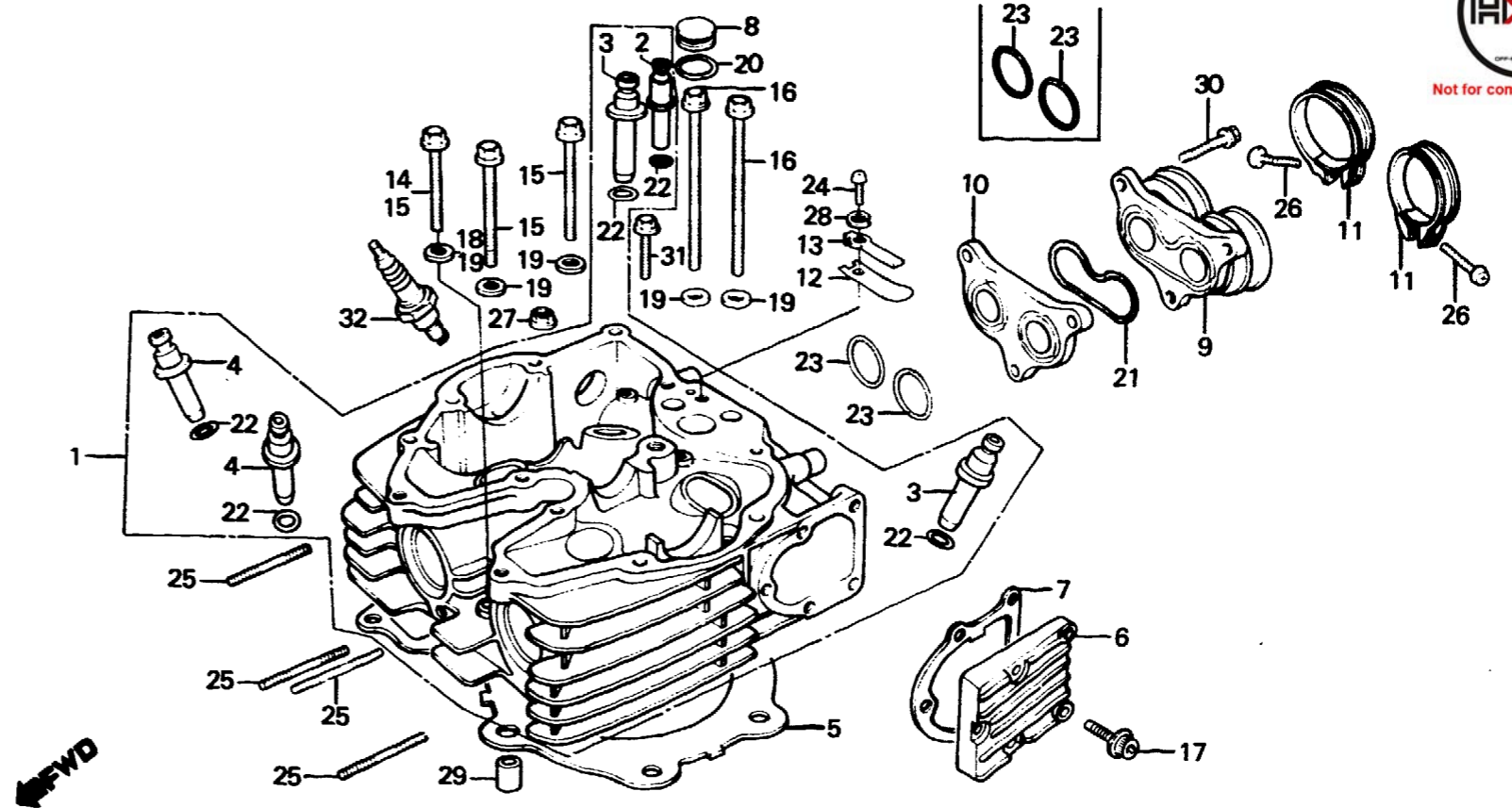
E-2

Cylinder head

Culasse

Zylinderkopf

Culata



BMG2-2A

Service item	F.R.T.	Ref. No.	Part No.	Description	Reqd. No. XL600						Serial No.	Area code
					Rd	Ld	Re	Le	Rf	Lf		
		17	90091-MG3-000	BOLT, FLANGE SOCKET, 6X32	5	5	5	5	5	5		
		18	90501-MG3-000	WASHER, PLAIN, 8MM	1							AR
		*	90502-MG2-790	WASHER, PLAIN, 8MM			1	1				
		19	90501-399-880	WASHER, PLAIN, 8MM	5				1	1		AR
					6	6	5	5				B,CM,E,ED,F,G IT,SA,SD,SW,U
		*	90501-MG2-790	WASHER, PLAIN, 8MM					5	5		
		20	91301-MC7-003	O-RING, 15.8X2.5	1	1	1	1	1	1		
		21	91301-MG3-000	O-RING, SPECIAL	1				1			AR,1G,2G B,CM,E,ED,F,IT SA,SD,SW,U
								1	1	1	1	
		22	91301-200-000	O-RING, 10X1.6	5	5	5	5	5	5		
		23	91301-428-003	O-RING, 35.5X3	2				2			AR,1G,2G B,CM,E,ED,F,G IT,SA,SD,SW,U
					4	4	2	2	2	2		
		24	92000-05012-0A	BOLT, HEX., 5X12	1	1						B,CM,E,ED,F,G IT,SA,SD,SW,U

C 9

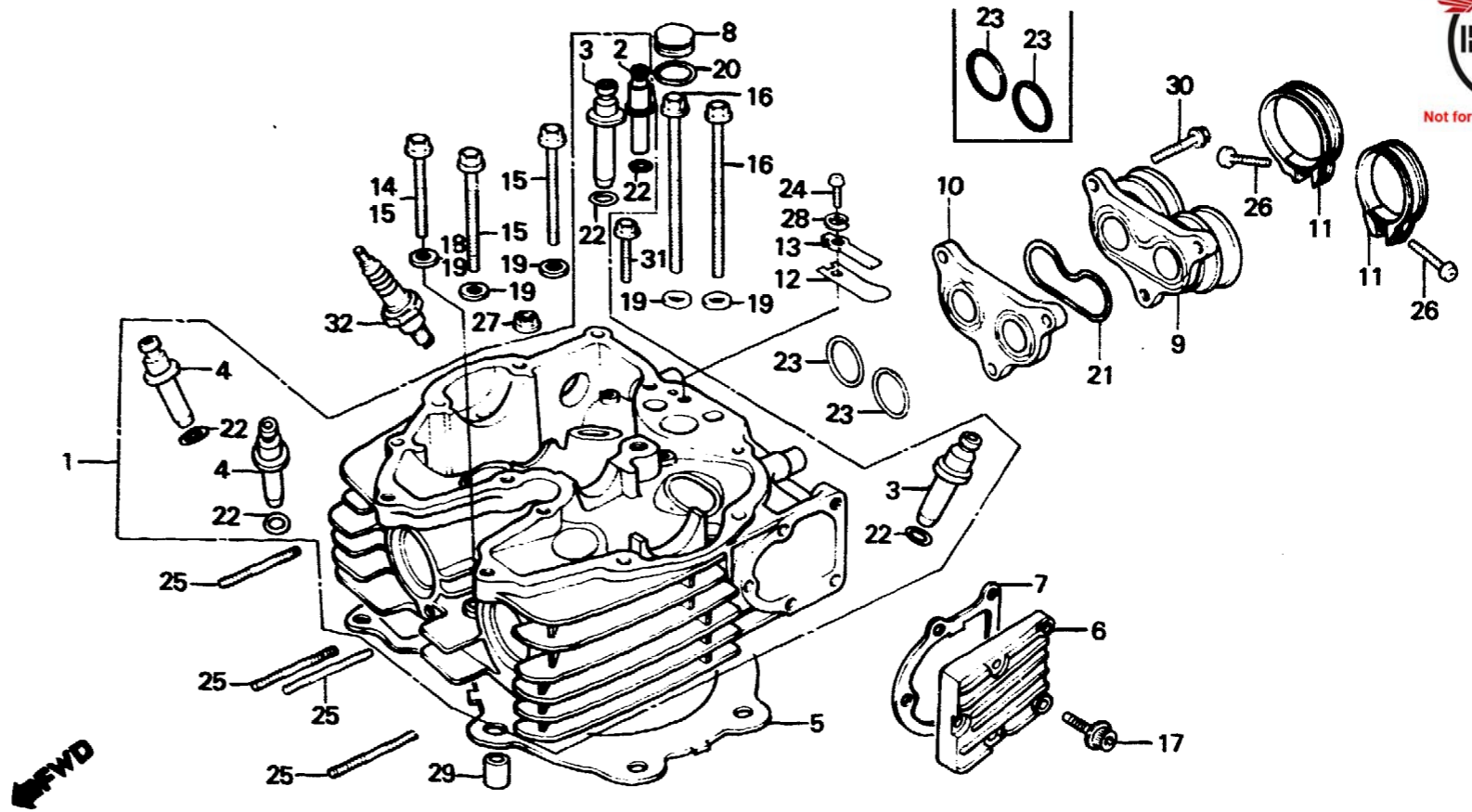
E-2

Cylinder head

Culasse

Zylinderkopf

Culata



BMG2-2A

Service item	F.R.T.	Ref. No.	Part No.	Description	Reqd. No. XL600						Serial No.	Area code
					Rd	Ld	Re	Le	Rf	Lf		
		25	92700-08040	BOLT, STUD, 8X40	4	4	4	4	4	4		
		26	93500-05028-0G	SCREW, PAN, 5X28	2	2	2	2	2	2		
		27	94050-06080	NUT, FLANGE, 6MM	2	2	2	2	2	2		
		28	94111-05090	WASHER, SPRING, 5MM	1	1						B,CM,E,ED,F,G IT,SA,SD,SW,U
		29	94301-10200	PIN A, DOWEL, 10X20	2	2	2	2	2	2		
		30	96000-06028-07	BOLT, FLANGE, 6X28	3	3	3	3	3	3		
		31	96000-06032-07	BOLT, FLANGE, 6X32	1	1	1	1	1	1		
		32	98069-57916	PLUG, SPARK (DPR7EA-9 NGK)	(1)	(1)	(1)	(1)	(1)	(1)		
			98069-57926	PLUG, SPARK (X22EPR-U9 ND)	(1)	(1)	(1)	(1)	(1)	(1)		
			98069-58916	PLUG, SPARK (DPR8EA-9 NGK)	1	1	1	1	1	1		
			98069-58926	PLUG, SPARK (X24EPR-U9 ND)	1	1	1	1	1	1		
			98069-59916	PLUG, SPARK (DPR9EA-9 NGK)	(1)	(1)	(1)	(1)	(1)	(1)		

C 10

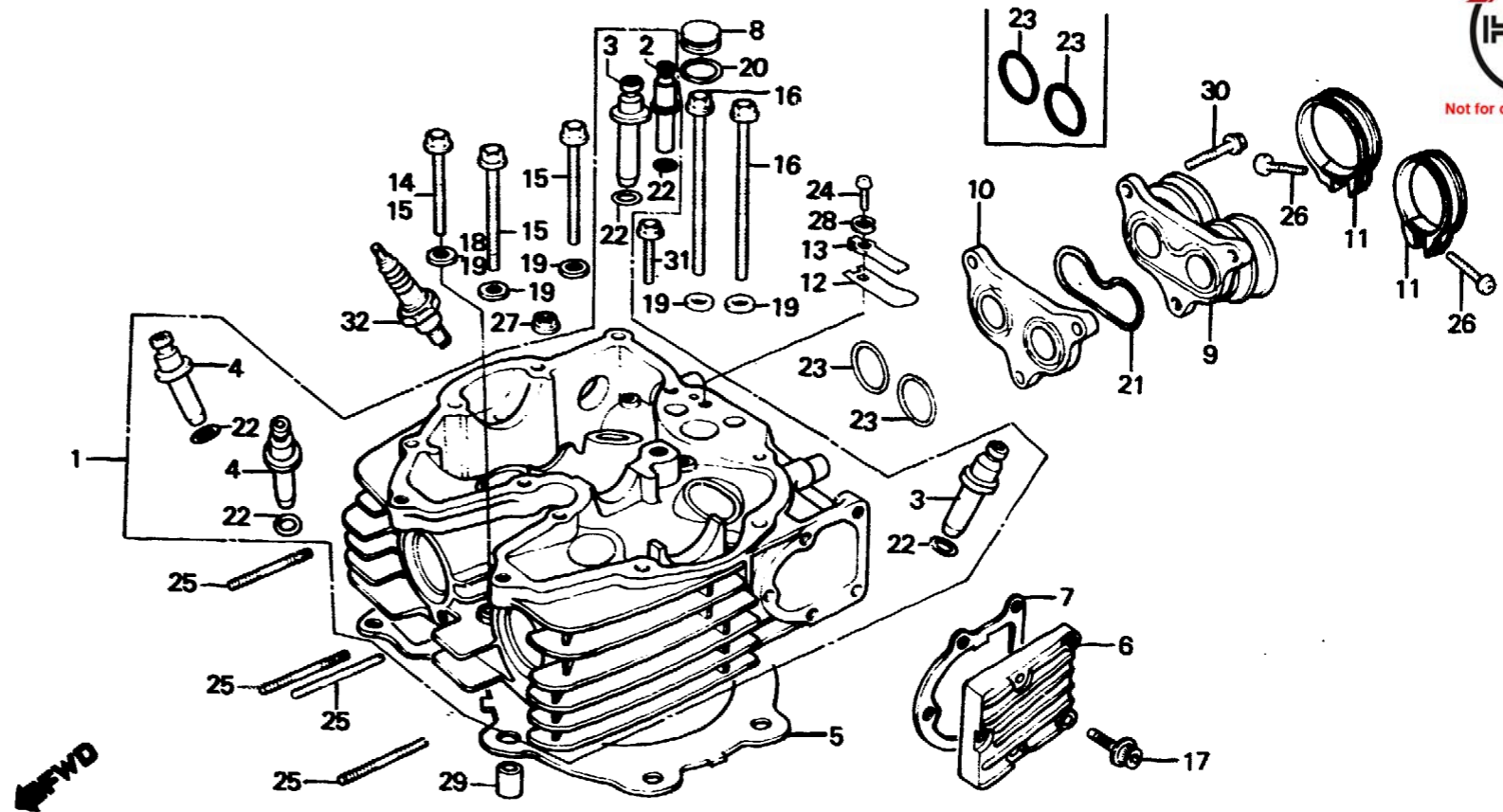
E-2

Cylinder head

Culasse

Zylinderkopf

Culata



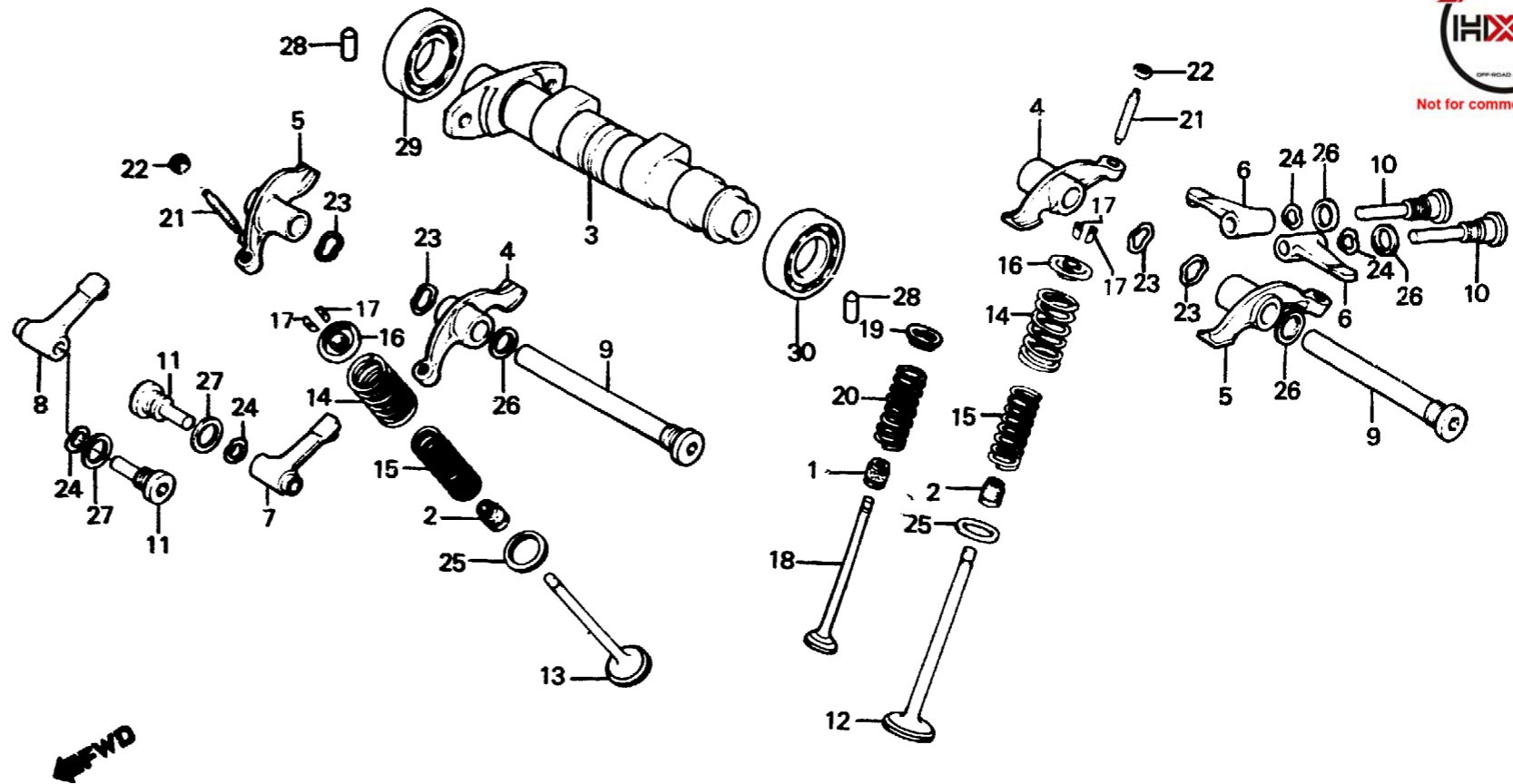
BMG2-2A

Service item	F.R.T.	Ref. No.	Part No.	Description	Reqd. No.						Serial No.	Area code
					Rd	Ld	Re	Le	Rf	Lf		
			98069-59926	PLUG, SPARK (X27EPR-U9 ND)	(1)	(1)	(1)	(1)	(1)	(1)		

C 11

E-3

Camshaft • Valve
Arbre à cames • Soupape
Nockenwelle • Ventil
Arbol de levas • Válvula



BMG2-3

Service item	F.R.T.	Ref. No.	Part No.	Description	Reqd. No. XL600						Serial No.	Area code
					Rd	Ld	Re	Le	Rf	Lf		
CAMSHAFT COMP.	*3.3	1	12209-MA6-005	SEAL, VALVE STEM	1	1	1	1	1	1		
ARM, VALVE ROCKER (ADD 0.1 FOR EACH.) (WHEN SERVICING COMP., UNIT, F.R.T. IS 3.3.)	*3.0	2	12209-MC8-005	SEAL, VALVE STEM	4	4	4	4	4	4		
		3	14100-MG2-000	CAMSHAFT COMP.	1	1	1	1				
		*	14100-MG2-010	CAMSHAFT COMP.						1	1	AR,B,CM,E,ED,F IT,SA,SD,SW,U 1G 2G
• ARM, VALVE SUB ROCKER (WHEN SERVICING COMP., UNIT, F.R.T. IS 3.1.)		*	14100-MG2-910	CAMSHAFT COMP.						1		
VALVE (ADD 0.2 FOR EACH.) (INC. REFACING) (EXC. VALVE GUIDE REPLACEMENT)	*3.7	4	14431-MG3-000	ARM (A)	2	2	2	2	2	2		
• VALVE, DECOMPRESSION SPRING, VALVE INNER (INC. RELATIVE PART) (ADD 0.1 FOR EACH.)	*3.6	5	14441-MG3-000	ARM B, VALVE ROCKER	2	2	2	2	2	2		
		6	14445-KF0-000	ARM, IN. VALVE SUB ROCKER	2	2	2	2	2	2		
• SPRING, DECOMPRESSION VALVE BEARING, RADIAL BALL, 6904 (ADD 0.1 FOR EACH.)	*3.2	7	14446-KF0-000	ARM, L. EX. VALVE SUB ROCKER	1	1	1	1	1	1		
		8	14447-KF0-000	ARM, R. EX. VALVE SUB ROCKER	1	1	1	1	1	1		
		9	14451-MG3-000	BOLT	2	2	2	2	2	2		
		10	14455-KF0-000	SHAFT A, SUB ROCKER ARM	2	2	2	2	2	2		

C 12

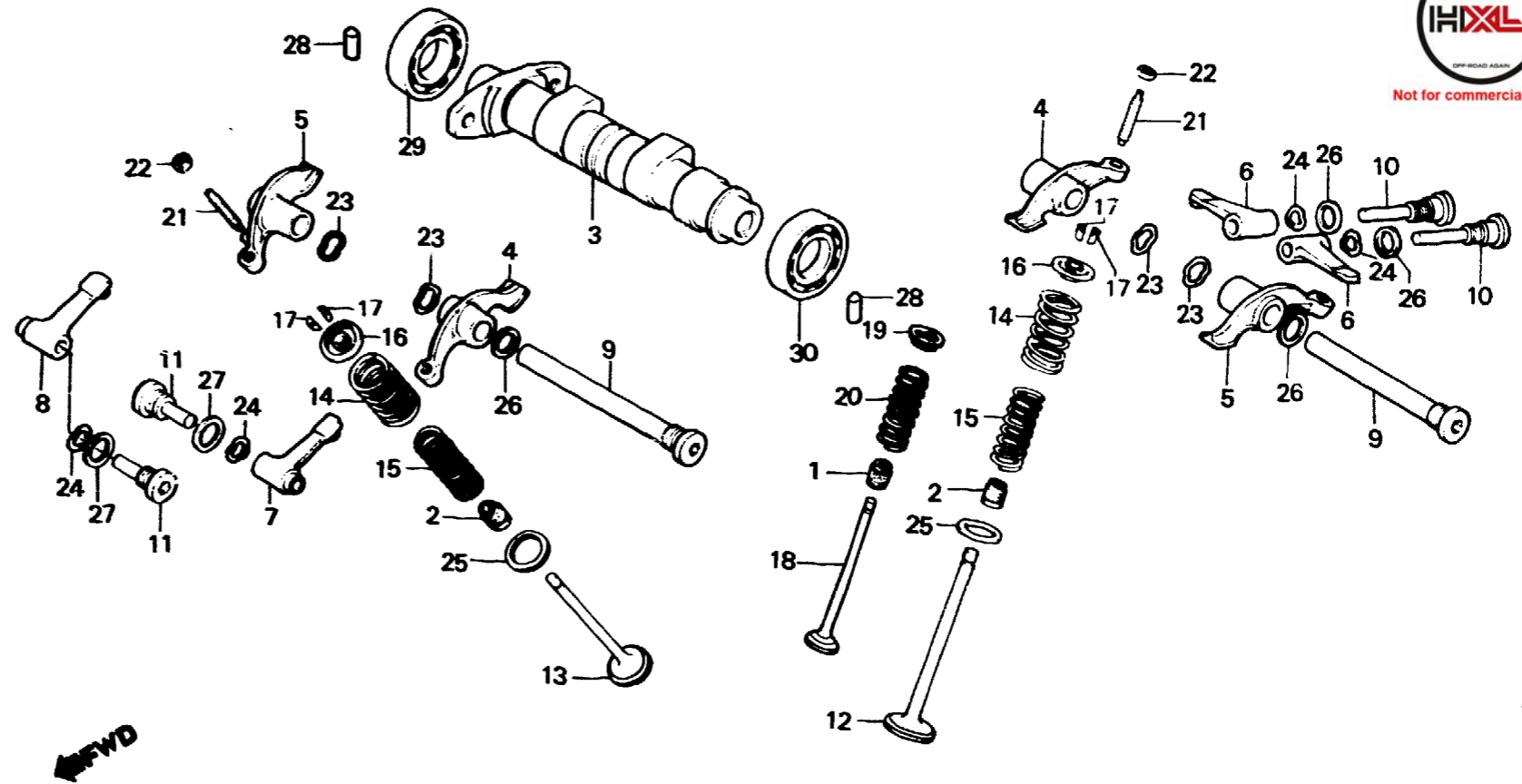
E-3

Camshaft • Valve

Arbre à cames • Soupape

Nockenwelle • Ventil

Arbol de levas • Válvula



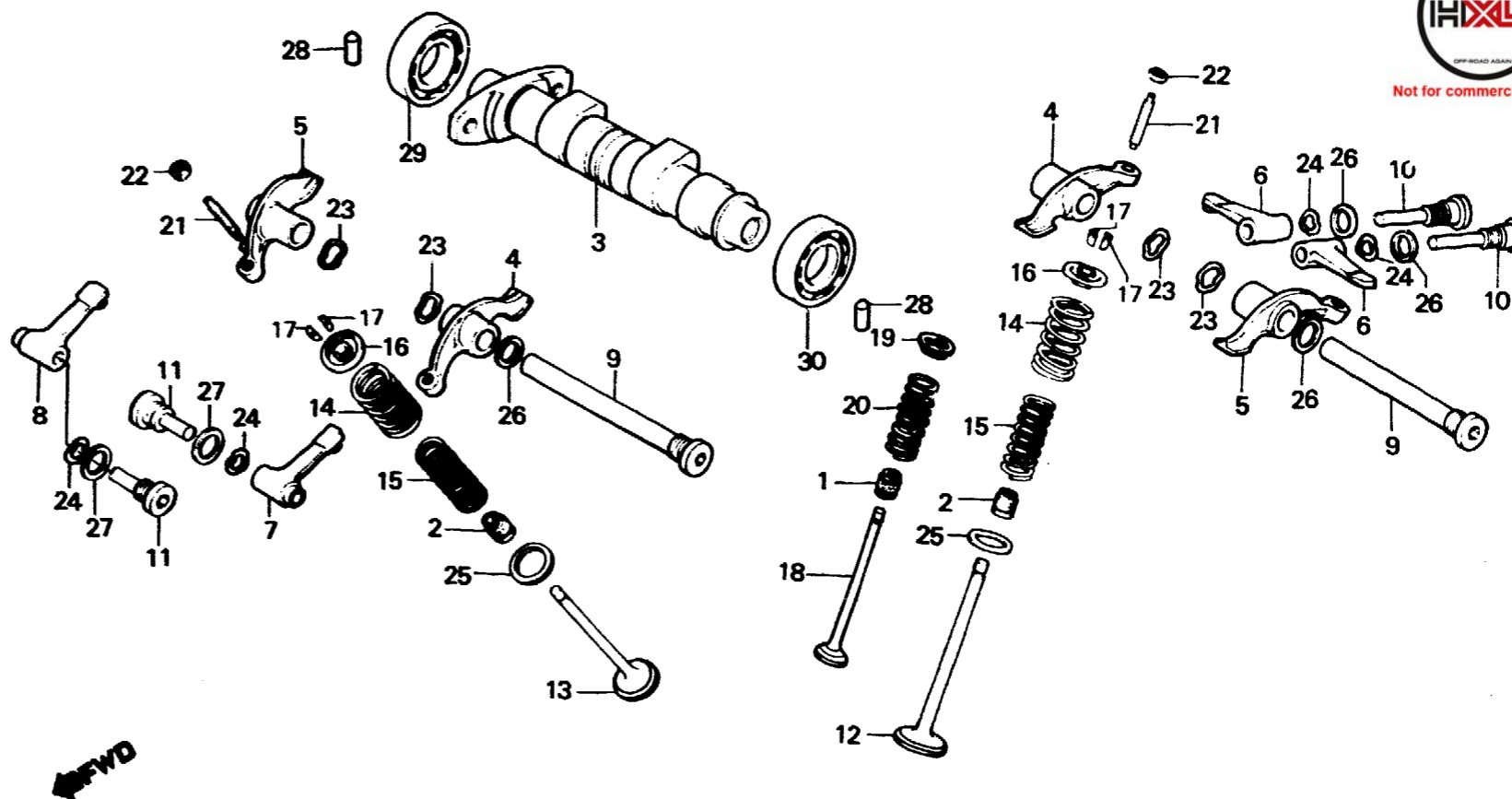
BMG2-3

Service item	F.R.T.	Ref. No.	Part No.	Description	Reqd. No. XL600						Serial No.	Area code
					Rd	Ld	RE	LE	Rf	Lf		
		11	14456-KF0-000	SHAFT B, SUB ROCKER ARM	2	2	2	2	2	2		
		12	14711-MG3-000	VALVE, IN.	2	2	2	2				
		*	14711-MG2-790	VALVE, IN.					2	2		
		13	14721-MG3-000	VALVE, EX.	2	2	2	2				
		*	14721-MG2-790	VALVE, EX.					2	2		
		14	14751-MG3-003	SPRING, VALVE OUTER	4	4	4	4	4	4		
		15	14761-MG3-003	SPRING, VALVE INNER	4	4	4	4	4	4		
		16	14771-679-000	RETAINER, VALVE SPRING	4	4	4	4	4	4		
		17	14781-MB9-000	COTTER, VALVE	8	8	8	8	8	8		
		18	28291-MG2-000	VALVE, DECOMPRESSION	1	1	1	1	1	1		
		19	28292-MG2-000	WASHER, DECOMPRESSION VALVE	1	1	1	1	1	1		
		20	28293-MG2-000	SPRING, DECOMPRESSION VALVE	1	1						
			28293-MG2-003	SPRING, DECOMPRESSION VALVE	1				1	1		B,CM,E,ED,F,G IT,SA,SD,SW,U AR,1G,2G B,CM,E,ED,F,IT SA,SD,SW,U
		21	90012-MG3-000	SCREW, TAPPET ADJUSTING	4	4	4	4	4	4		

C 13

E-3

Camshaft • Valve
 Arbre à cames • Soupape
 Nockenweile • Ventil
 Arbol de levas • Válvula



BMG2-3

Service item	F.R.T.	Ref. No.	Part No.	Description	Reqd. No. XL600						Serial No.	Area code
					Rd	Ld	RE	LE	Rf	Lf		
		22	90206-590-000	NUT, TAPPET ADJUSTING	4	4	4	4	4	4		
		23	90405-KF0-003	WASHER, ROCKER ARM SIDE WAVE	4	4	4	4	4	4		
		24	90406-KF0-000	WASHER, SUB ROCKER ARM SIDE	4	4	4	4				
		*	90406-KF0-003	WASHER, SUB ROCKER ARM SIDE						4	4	
		25	90453-473-000	WASHER, THRUST, 21MM	4	4	4	4	4	4		
		26	90544-KF0-000	WASHER, SEALING, 14MM	4	4	4	4	4	4		
		27	90545-KF0-000	WASHER, 12MM	2	2	2	2	2	2		
		28	90701-KF0-000	PIN, DOWEL, 10X18	2	2	2	2	2	2		
		29	91002-KF0-008	BEARING, RADIAL BALL, 6904Z	1	1	1	1	1	1		
		30	91003-KF0-008	BEARING, RADIAL BALL, 6904	1	1	1	1	1	1		

C 14

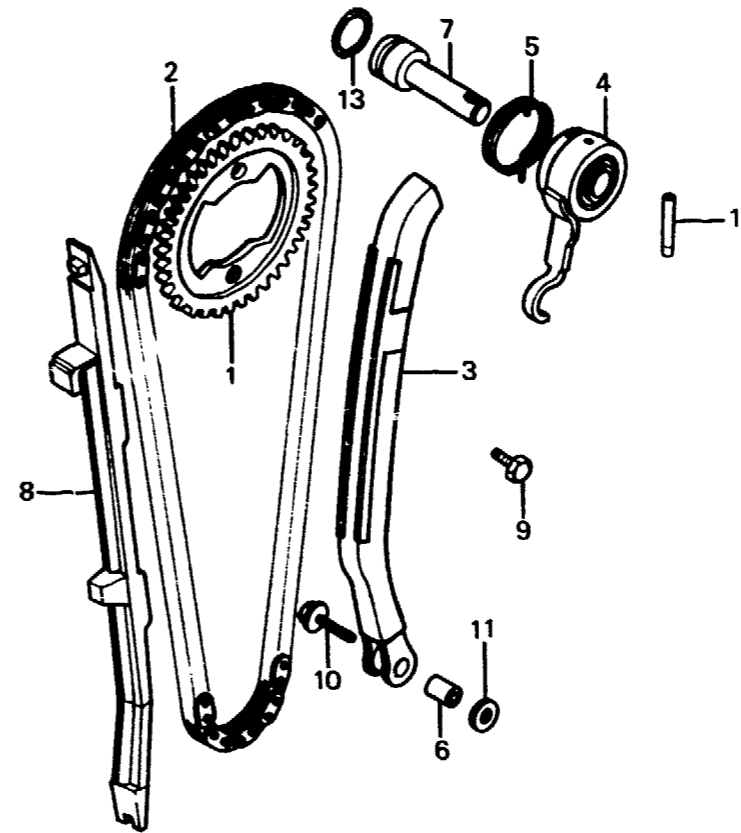
E-4

Cam chain • Tensioner

Chaîne de cames • Tendeur

Steuerkette • Spanner

Cadena de levas • Tensionador



BMG3-4

Service item	F.R.T.	Ref. No.	Part No.	Description	Reqd. No. XL600						Serial No.	Area code
					Rd	Ld	Re	Le	Rf	Lf		
SPROCKET, CAM	*3.2	1	14321-KF0-000	SPROCKET, CAM	1	1	1	1	1	1		
LIFTER, DAMPER		2	14401-MG3-003	CHAIN, CAM (118L)	1	1	1	1	1	1		
SHAFT, CONTROL		3	14511-MG3-000	TENSIONER, CAM CHAIN	1	1	1	1	1	1		
CHAIN, CAM	*4.0	4	14512-MG3-000	LIFTER, DAMPER	1	1	1	1	1	1		
TENSIONER, CAM CHAIN	*3.9	5	14514-MG3-000	SPRING, CAM CHAIN TENSIONER	1	1	1	1	1	1		
GUIDE, CAM CHAIN	*3.5	6	14515-KF0-000	COLLAR, TENSIONER, 6X9	1	1	1	1	1	1		
O-RING, 15X2.4	*2.9	7	14516-MG3-000	SHAFT, CONTROL	1	1	1	1	1	1		
		8	14620-MG3-003	GUIDE, CAM CHAIN	1	1	1	1	1	1		
		9	90081-246-000	BOLT, HEX. KNOCK, 7X12	2	2	2	2	2	2		
		10	90088-KF0-000	BOLT, FLANGE, 6X25	1	1	1	1	1	1		
		11	90417-360-000	WASHER, DRUM STOPPER	1	1	1	1	1	1		
		12	91102-MG3-000	PIN, DOWEL, 5X33	1	1	1	1	1	1		
		13	91303-KF0-003	O-RING, 14.8X2.4	1	1	1	1	1	1		