

2-F11



Not for commercial use

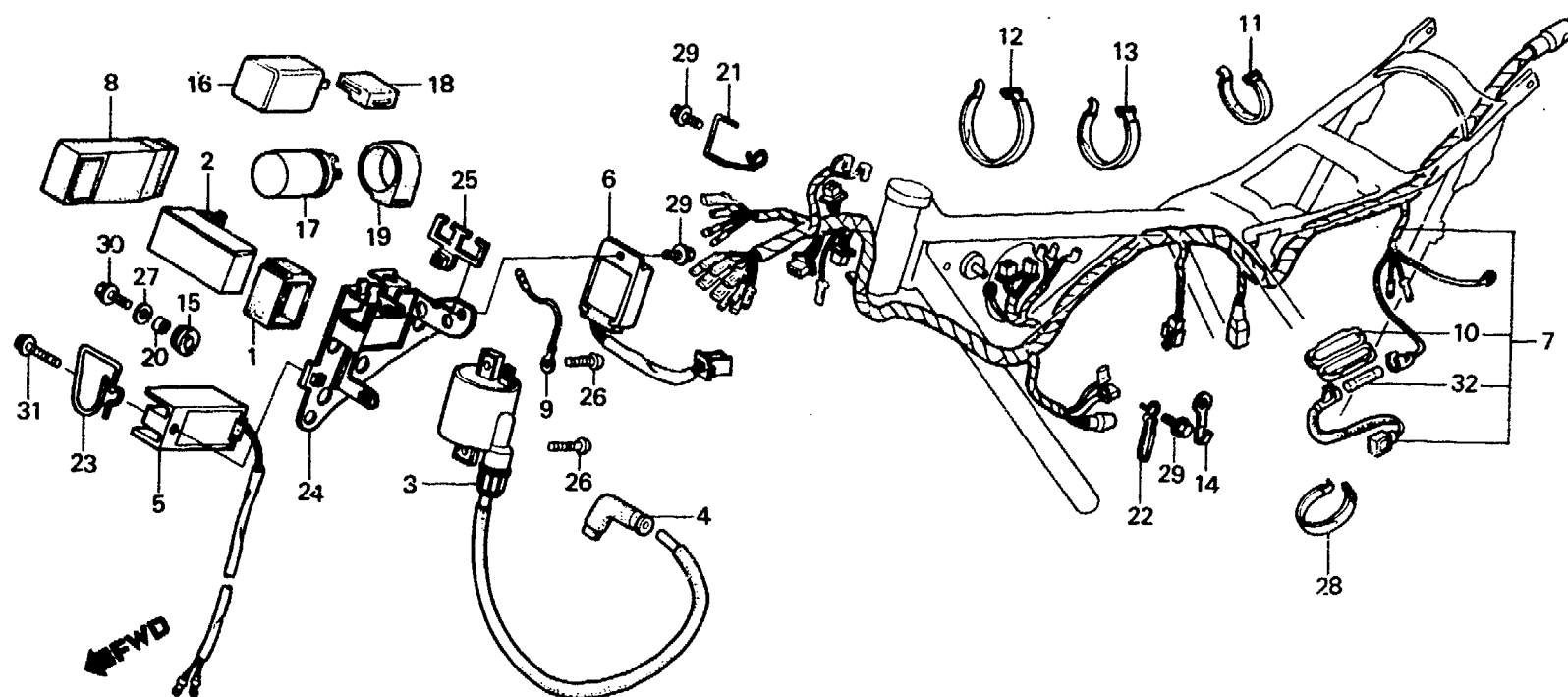
F-24-1

**Wire harness • C.D.I. unit •
Ignition coil (XL500Rc)**

**Faisceau électrique • Unité de C.D.I. •
Bobine d'allumage (XL500Rc)**

**Kabelbaum • C.D.I. Einheit •
Zündspule (XL500Rc)**

**Equipo de alambre • Unidad de
C.D.I. • Bobina de encendido
(XL500Rc)**



BMC4-18

Service item	F.R.T.	Ref. No.	Part No.	Description	Reqd. No.			Serial No.	Area code
					Sz	SA	Ss Rc		
C.D.I. UNIT COMP.	0.3	1	30401-KB4-000	CUSHION, C.D.I. UNIT					
• COIL ASSY., IGNITION		2	30410-MC4-003	C.D.I. UNIT COMP. (SHINDENGEN)					
• REGULATOR COMP.		3	30500-KB7-003	COIL ASSY., IGNITION (TOYO)					
• RECTIFIER COMP., REGULATOR		4	30700-MC4-153	CAP ASSY., NOISE SUPPRESSOR					
HARNESS, WIRE	0.8	5	31400-KB7-008	REGULATOR COMP.					
RELAY COMP., WINKER	0.2								
		6	31600-MC4-000	RECTIFIER COMP., REGULATOR					
		7	32100-MC4-000	HARNESS, WIRE					B, DK, DM, E, ED, F, IT, SA, SD
			32100-MC4-670	HARNESS, WIRE					U, 1G, 2G
		8	32102-KB7-000	COVER, C.D.I. COUPLER					CM
		9	32111-KB7-000	SUB CORD A					
		10	32111-230-000	CASE, FUSE CONNECTOR					
		11	32161-MA0-000	BAND, WIRE					
		12	32161-399-000	BAND, WIRE					

1981.12.20

E

2-F11

2-F12

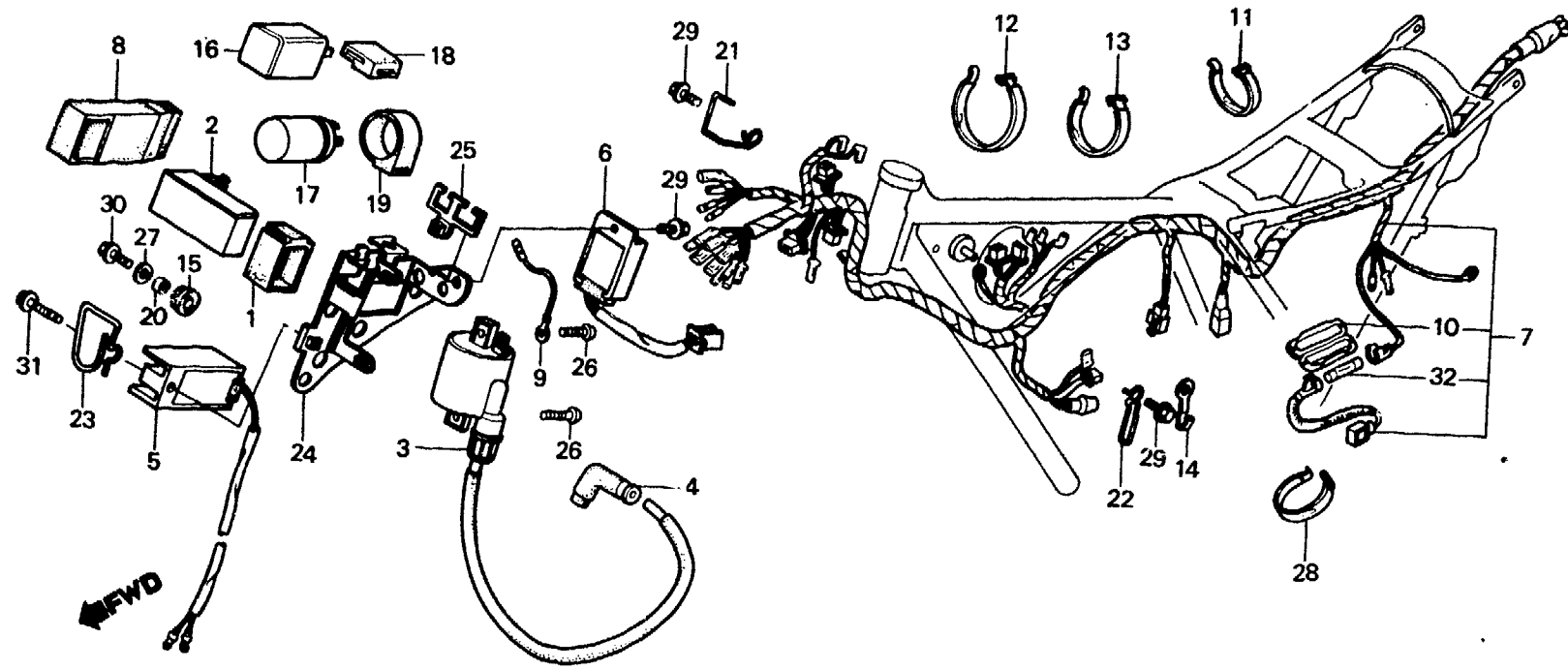
F-24-1

**Wire harness • C.D.I. unit •
Ignition coil (XL500Rc)**

**Faisceau électrique • Unité de C.D.I. •
Bobine d'allumage (XL500Rc)**

**Kabelbaum • C.D.I. Einheit •
Zündspule (XL500Rc)**

**Equipo de alambre • Unidad de
C.D.I. • Bobina de encendido
(XL500Rc)**



BMC4-18

Service item	F.R.T.	Ref. No.	Part No.	Description	Reqd. No.				Serial No.	Area code
					Sz	SA	Ss	Rc		
		13	32161-402-000	BAND, WIRE				1		
		14	32810-MC4-000	CLAMP, CORD				1		
		15	32983-028-000	GROMMET, WIRE HARNESS				2		
		16	38301-404-611	RELAY COMP., WINKER (ND)				1		1G,2G
		17	38301-415-004	RELAY COMP., WINKER (MITSUBA)				1		B,CM,DK,DM,E,ED,F,IT,SA SD,U
		18	38306-MC4-610	SUSPENSION, WINKER RELAY				1		1G,2G
		19	38306-292-000	SUSPENSION, WINKER RELAY				1		B,CM,DK,DM,E,ED,F,IT,SA SD,U
		20	40515-413-000	COLLAR, CHAIN CASE				2		
		21	45463-MC4-000	CLAMP A, WIRE				1		
		22	45464-MC4-000	CLAMP B, WIRE				1		
		23	45466-MC4-000	CLAMP, CLUTCH CABLE				1		
		24	50300-MC4-000	PLATE, ELECTRIC BASE				1		

2-F13



Not for commercial use

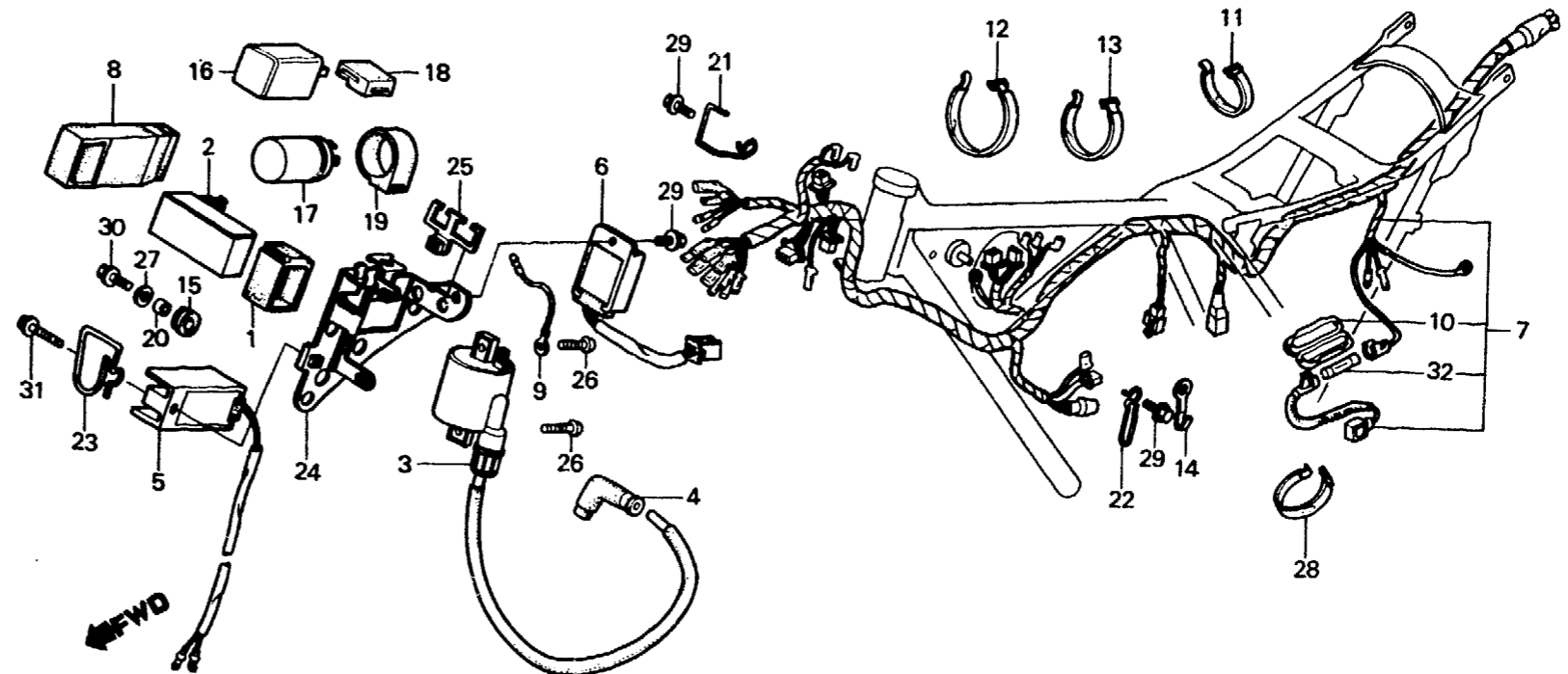
F-24-1

**Wire harness • C.D.I. unit •
Ignition coil (XL500Rc)**

**Faisceau électrique • Unité de C.D.I. •
Bobine d'allumage (XL500Rc)**

**Kabelbaum • C.D.I. Einheit •
Zündspule (XL500Rc)**

**Equipo de alambre • Unidad de
C.D.I. • Bobina de encendido
(XL500Rc)**



BMC4-18

Service item	F.R.T.	Ref. No.	Part No.	Description	Reqd. No.				Serial No.	Area code
					Sz	SA	SA	Rc		
		25	50301-MC4-000	PLATE, COUPLER				1		
		26	93500-05016-0A	SCREW, PAN, 5X16				2		
		27	94101-06000	WASHER, PLAIN, 6MM				2		
		28	95014-61100	BAND A1, WIRE				4		
		29	95700-06012-00	BOLT, FLANGE, 6X12				3		
		30	95700-06016-00	BOLT, FLANGE, 6X16				2		
		31	95700-06028-00	BOLT, FLANGE, 6X28				1		
		32	98200-11000	FUSE A (10A)				1		

1981.12.20

E

2-F13

2-F14

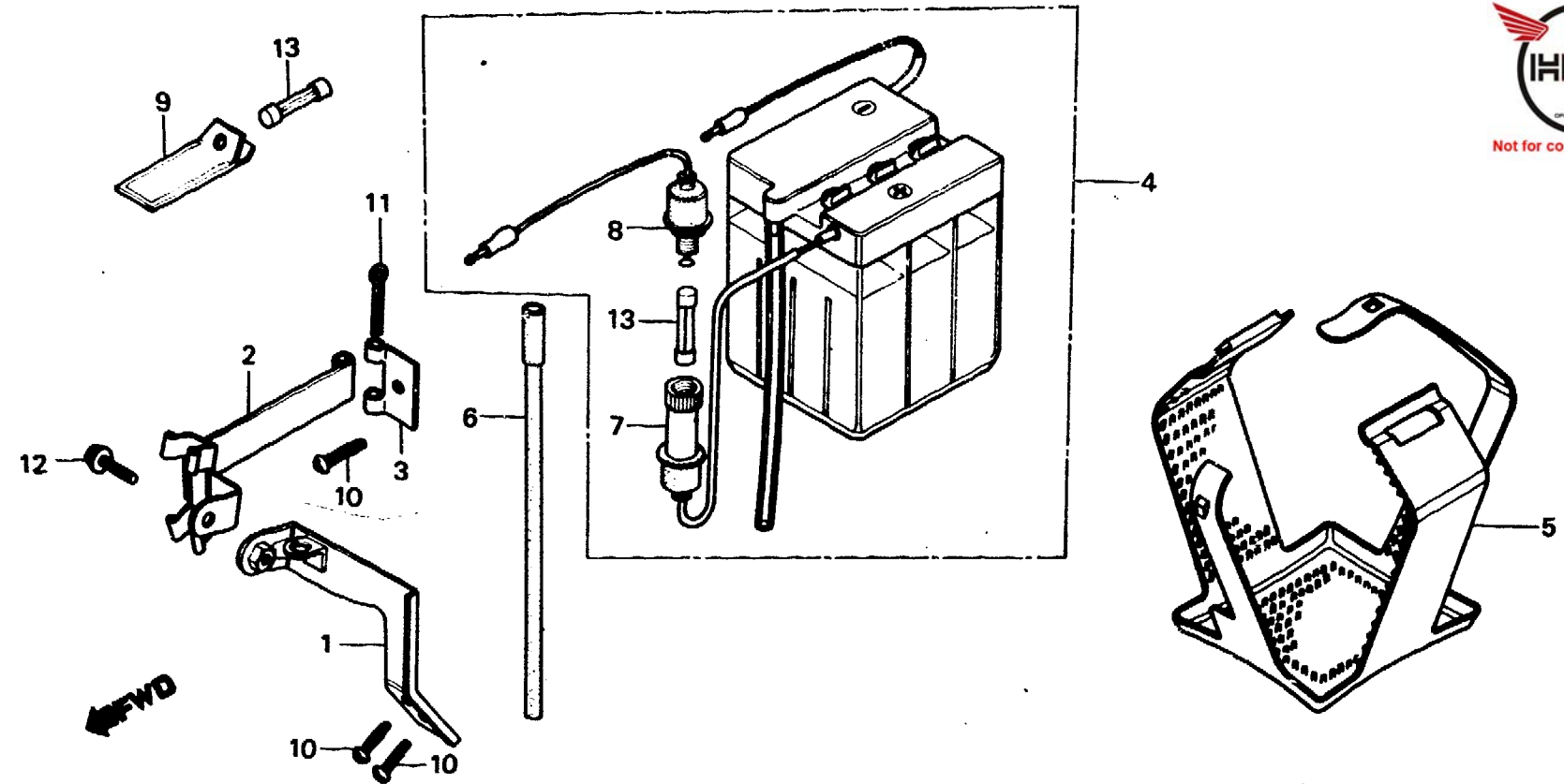
F-25

**Battery
(XL500Sz·SA·SB)**

**Batterie
(XL500Sz·SA·SB)**

**Batterie
(XL500Sz·SA·SB)**

**Bateria
(XL500Sz·SA·SB)**



B435-61

Service item	F.R.T.	Ref. No.	Part No.	Description	Reqd. No.				Serial No.	Area code	
					Sz	XL500	SA	SB			Rc
HINGE A, BATTERY HINGE B, BATTERY BATTERY	0.1	1	17233-435-000	HINGE A, BATTERY	1	1					
				17233-435-730	HINGE A, BATTERY				1		
		2	17234-435-000	HINGE B, BATTERY	1	1	1				
		3	17235-435-000	HINGE C, BATTERY	1	1	1				
		4	31500-435-720	BATTERY ASSY.	1	1					
				31500-437-751	BATTERY (6N4)				1		
		5	31502-086-007	BAND, BATTERY MOUNTING	1	1	1				
				31502-435-730	TUBE, BATTERY BREATHER				1		CM
				31502-437-730	TUBE, BATTERY BREATHER				1		B,DK,DM,E,ED,F,SA,SD,U 1G,2G
				7	32106-041-008	CONNECTOR A, FUSE (YUASA)	1	1	1		
				8	32112-041-008	CONNECTOR B, FUSE (YUASA)	1	1	1		
				9	38205-435-000	HOLDER, SPARE FUSE	1	1	1		
				10	93901-34320	SCREW, TAPPING, 4X12	3	3	3		
		11	94201-40450	PIN, SPLIT, 4.0X45	1	1	1				
		12	95700-06012-00	BOLT, FLANGE, 6X12	1	1	1				
		13	98200-11000	FUSE A (10A)	2	2	2				

1981.12.20

E

2-F14

2-F15

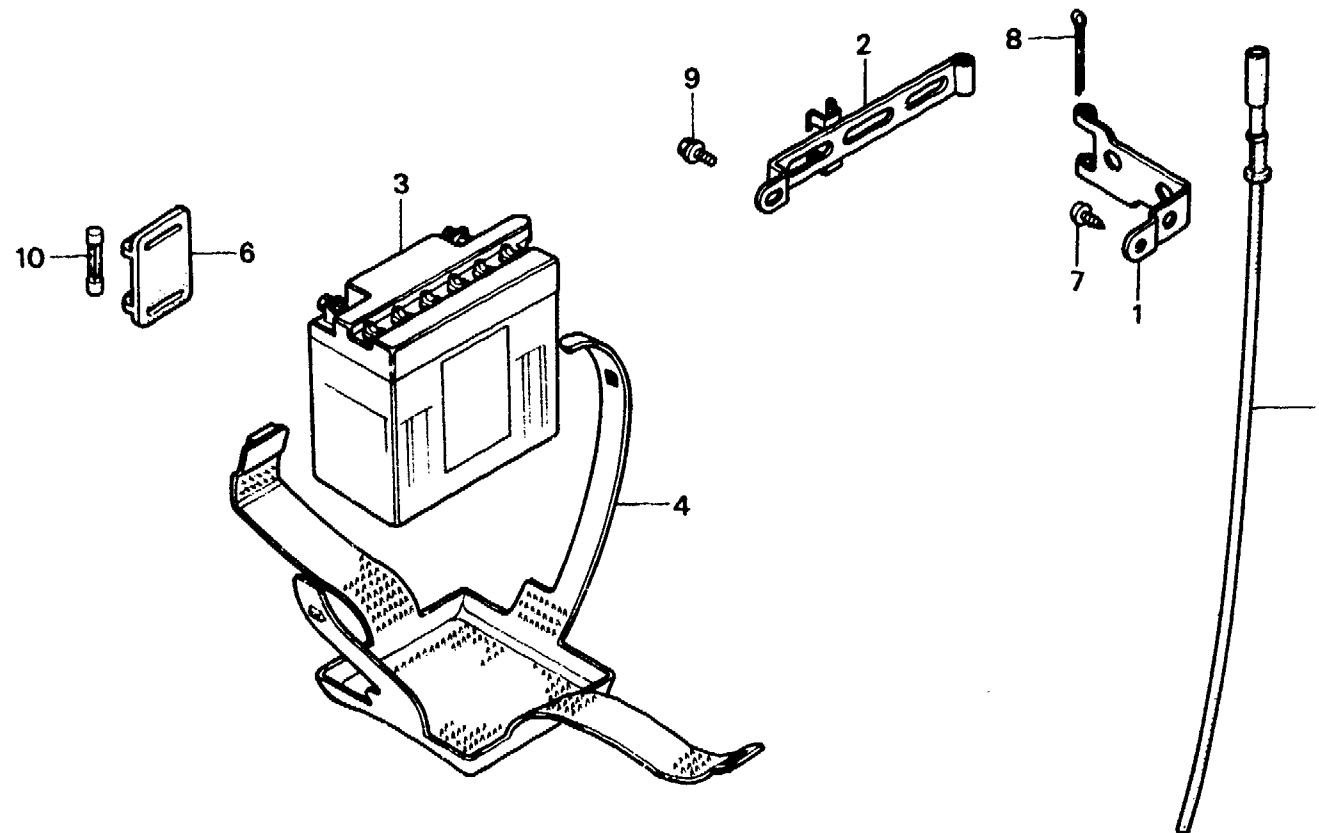
F-25-1

**Battery
(XL500Rc)**

**Batterie
(XL500Rc)**

**Batterie
(XL500Rc)**

**Bateria
(XL500Rc)**



BMC4-19

Service item	F.R.T.	Ref. No.	Part No.	Description	Reqd. No.				Serial No.	Area code
					Sz	SA	Sa	Rc		
HINGE A, BATTERY HINGE B, BATTERY BATTERY	0.1	1	17233-MC4-000	HINGE A, BATTERY					1	
		2	17234-MC4-000	HINGE B, BATTERY					1	
		3	31500-MC4-721	BATTERY (YB3L-A)					1	
		4	31502-KB7-003	BAND, BATTERY MOUNTING					1	
		5	31503-KB7-000	TUBE, BATTERY BREATHER					1	
		6	38205-115-000	CASE, FUSE					1	
		7	93903-36220	SCREW, TAPPING, 6X16					1	
		8	94201-30400	PIN, SPLIT, 3.0X40					1	
		9	95700-06010-00	BOLT, FLANGE, 6X10					1	
		10	98200-11000	FUSE A (10A)					1	

2-F16

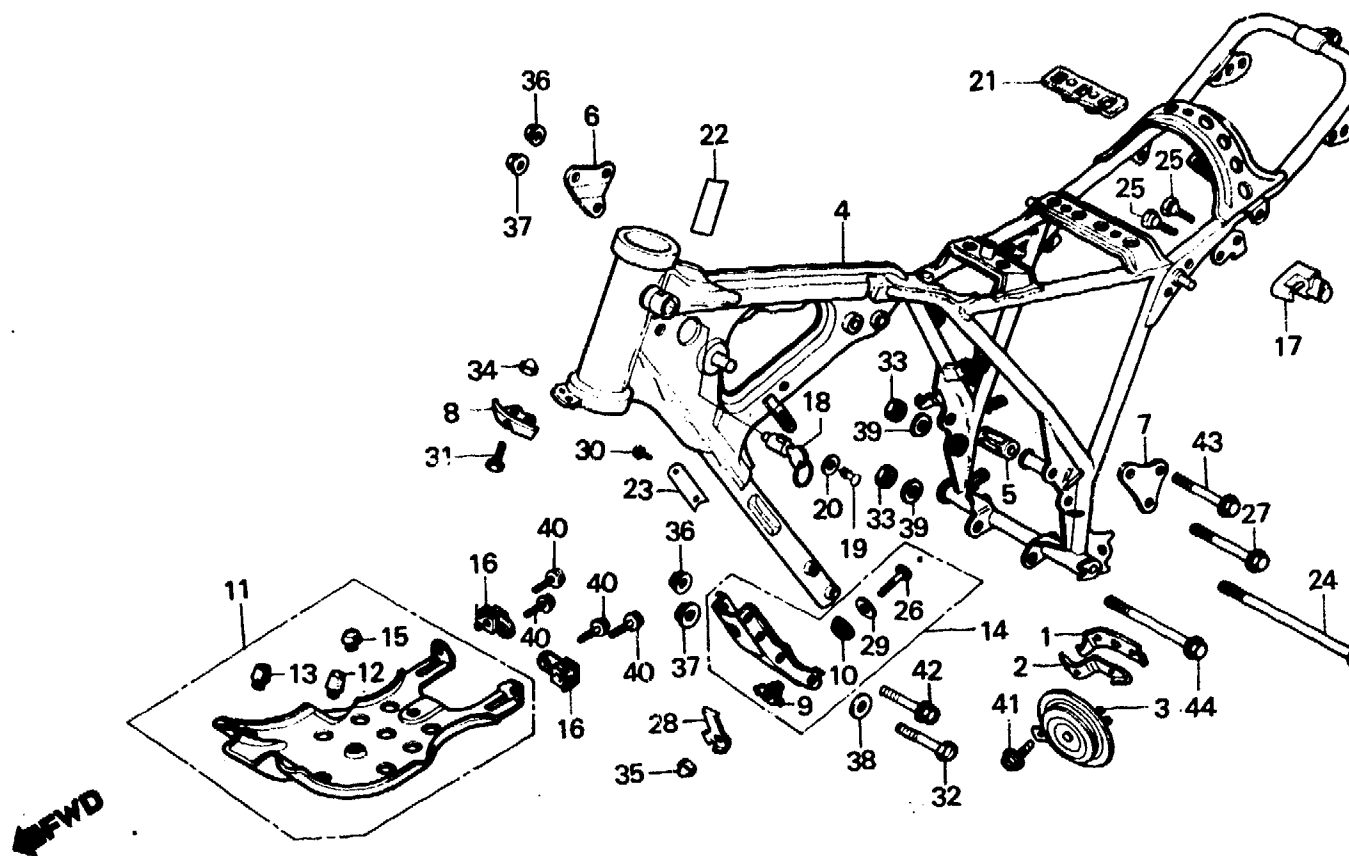
F-26

**Frame body
(XL500Sz·SA·SB)**

**Cadre
(XL500S SA·SB)**

**Rahmen
(XL500Sz·SA·SB)**

**Cuerpo de cuadro
(XL500Sz·SA·SB)**



B435-44B

Service item	F.R.T.	Ref. No.	Part No.	Description	Reqd. No.			Serial No.	Area code
					Sz	XL500 SA	Rc		
HORN COMP.	0.1	1	38101-428-830	BAND A, HORN			1	B,DK,DM,E,ED,F,SA,SD,U 1G,2G	
LOCK COMP., STEERING HANDLE		2	38102-428-830	BAND B, HORN			1	B,DK,DM,E,ED,F,SA,SD,U 1G,2G	
BODY COMP., FRAME	*6.0	3	38110-437-941	HORN COMP.			1	B,DK,DM,E,ED,F,SA,SD,U 1G,2G	
PLATE, SKID	0.2	4	50100-435-000ZA	BODY COMP., FRAME *NH-1*	1	1		B,DK,DM,SA	
HANGER, FR. ENGINE			50100-435-610ZA	BODY COMP., FRAME *NH-1*	1	1		B,E,ED,F,SD,1G,2G	
HOLDER ASSY., HELMET			50100-435-720ZA	BODY COMP., FRAME *NH-1*	1	1	1	CM	
					1	1		U	
			50100-435-760ZA	BODY COMP., FRAME *NH-1*			1	B,E,ED,F,SD,1G,2G	
			50100-435-790ZA	BODY COMP., FRAME *NH-1*			1	U	
			50100-435-880ZA	BODY COMP., FRAME *NH-1*			1	DK,DM,SA	
		5	50130-429-000	COLLAR, ENGINE HANGER	1	1	1		
		6	50138-429-000ZA	PLATE, R. ENGINE HANGER UPPER *NH-1*	1	1	1		
		7	50139-429-000ZA	PLATE, L. ENGINE HANGER UPPER *NH-1*	1	1	1		
		8	50141-428-000	STAY, HANDLE LOCK	1	1	1	CM,DK,DM,SA,U	

2-G1

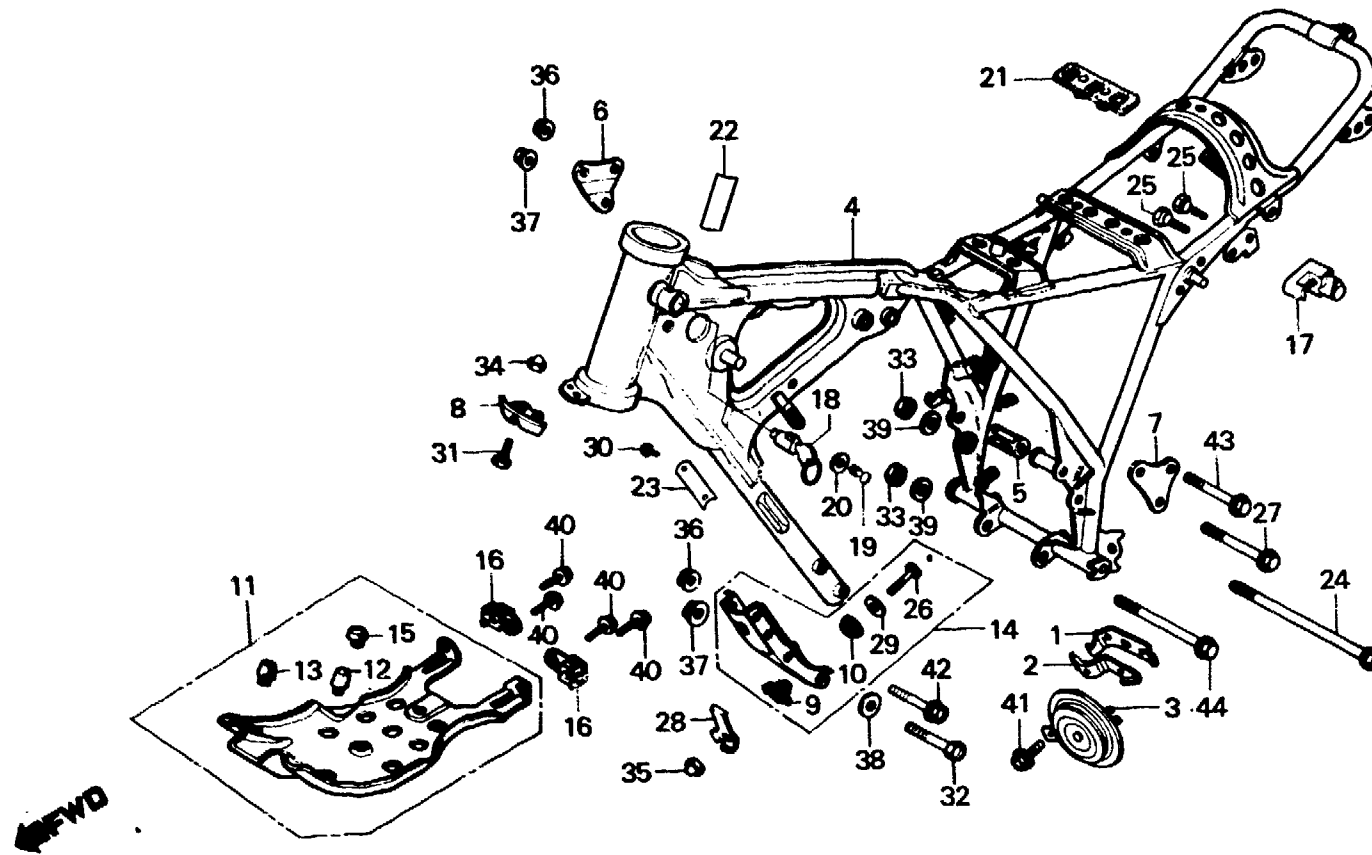
F-26

**Frame body
(XL500Sz·SA·SB)**

**Cadre
(XL500Sz·SA·SB)**

**Rahmen
(XL500Sz·SA·SB)**

**Cuerpo de cuadro
(XL500Sz·SA·SB)**



B435-44B

Service item	F.R.T.	Ref. No.	Part No.	Description	Reqd. No.			Serial No.	Area code
					Sz	XL500 SA SA	Rc		
		9	50325-428-000	MOUNT A, SKID	1			B,E,ED,F,SD,1G,2G	
		10	50326-428-000	MOUNT B, SKID	1	1		B,E,ED,F,SD,1G,2G	
					1			CM,DK,DM,SA,U	
		11	50351-428-000	PLATE, SKID	1	1		B,E,ED,F,SD,1G,2G	
					1			CM,DK,DM,SA,U	
			50351-428-871ZA	PLATE, SKID *NH-35M*		1		B,E,ED,F,SD,1G,2G	
						1	1	CM,DK,DM,SA,U	
		12	50352-428-000	RUBBER A, STOPPER	2	1	2	B,E,ED,F,SD,1G,2G	
					2	1	1	CM,DK,DM,SA,U	
		13	50352-434-000	RUBBER A, STOPPER		1	1	B,E,ED,F,SD,1G,2G	
						1	1	CM,DK,DM,SA,U	
		14	50353-428-000ZA	HANGER, FR. ENGINE *NH-1*	1		1	B,DK,DM,E,ED,F,SA,SD,U	
					1			1G,2G	
						1		CM	
			50353-434-000ZA	HANGER, FR. ENGINE *NH-1*		1			
		15	50354-428-000	RUBBER B, STOPPER	2	2	2		
		16	50361-428-600	RUBBER, SKID PLATE MOUNTING	2	2		B,E,ED,F,SD,1G,2G	
					2			CM,DK,DM,SA,U	

2-G2

F-26

**Frame body
(XL500Sz-SA-SB)**

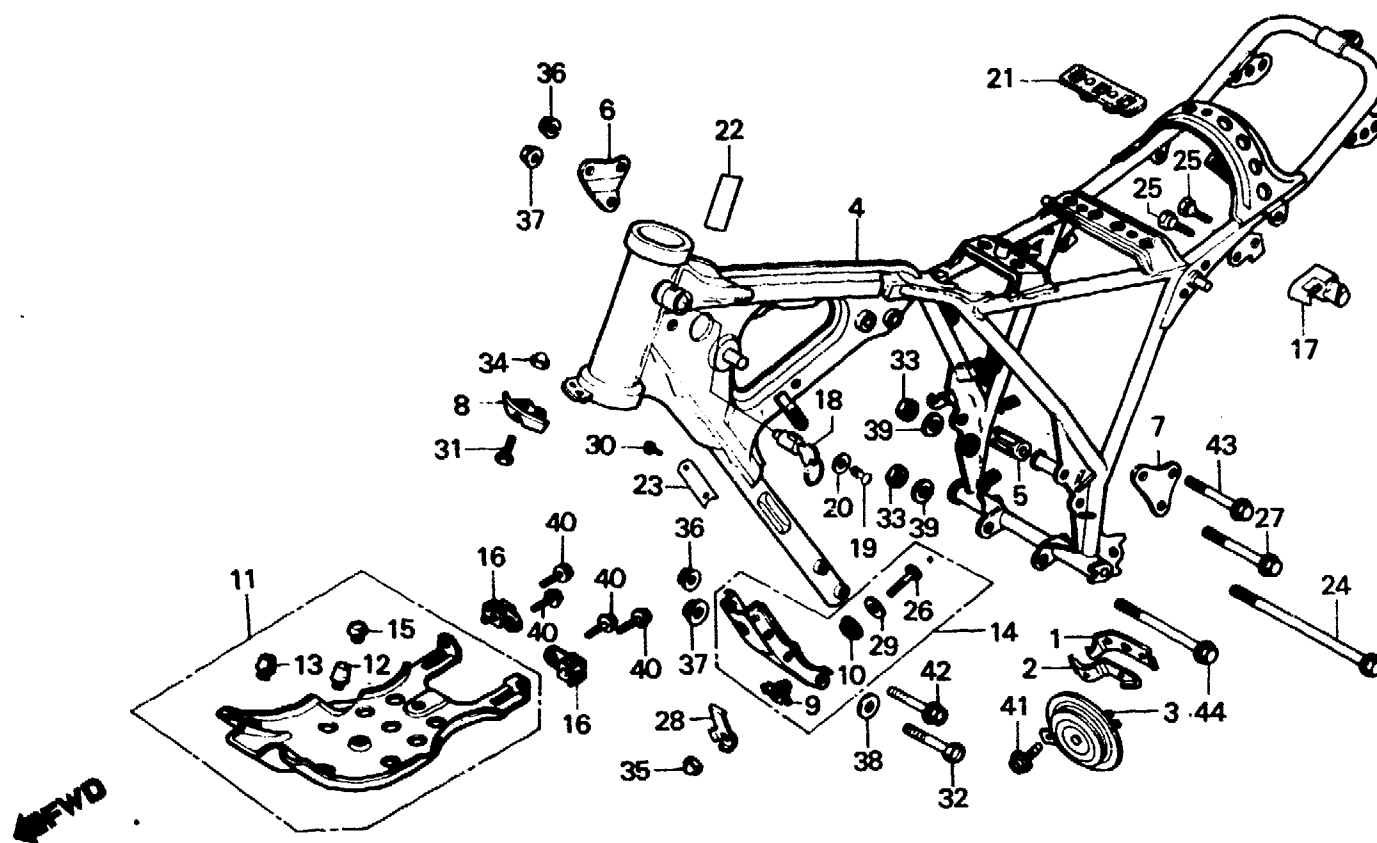
**Cadre
(XL500Sz-SA-SB)**

**Rahmen
(XL500Sz-SA-SB)**

**Cuerpo de cuadro
(XL500Sz-SA-SB)**



Not for commercial use



B435-44B

Service item	F.R.T.	Ref. No.	Part No.	Description	Reqd. No.				Serial No.	Area code
					Sz	SA	SB	Rc		
		17	50710-382-671	HOLDER ASSY., HELMET	1	1	1			
		18	53600-404-610	LOCK COMP., STEERING HANDLE	1	1	1		B,E,ED,F,SD,1G,2G DK,DM,SA,U	
		19	53603-051-000	RIVET, 4.1MM	1	1	1		B,E,ED,F,SD,1G,2G DK,DM,SA,U	
		20	53604-098-940	WASHER, 4.5MM	1	1	1		B,E,ED,F,SD,1G,2G DK,DM,SA,U	
		21	77206-429-000	CUSHION C, SEAT	1	1	1			
		22	87125-041-680	PLATE, NAME	1	1	1		DK,DM,SA	
		23	87501-435-610	PLATE, REGISTERED NUMBER	1	1	1		B,E,ED,F,SD,1G,2G	
		24	90104-429-000	BOLT, FLANGE, 12X240	1	1	1			
		25	90107-428-000	BOLT B, SPECIAL, 6MM	2	2	2			
		26	90115-428-000	BOLT, HEX., 8X28	1		1		B,E,ED,F,SD,1G,2G CM,DK,DM,SA,U	
		27	90157-429-000	BOLT, FLANGE, 10X73	1	1	1			
		28	90505-428-000	WASHER, TONGUED, 8MM	1		1		B,E,ED,F,SD,1G,2G CM,DK,DM,SA,U	

2-G3

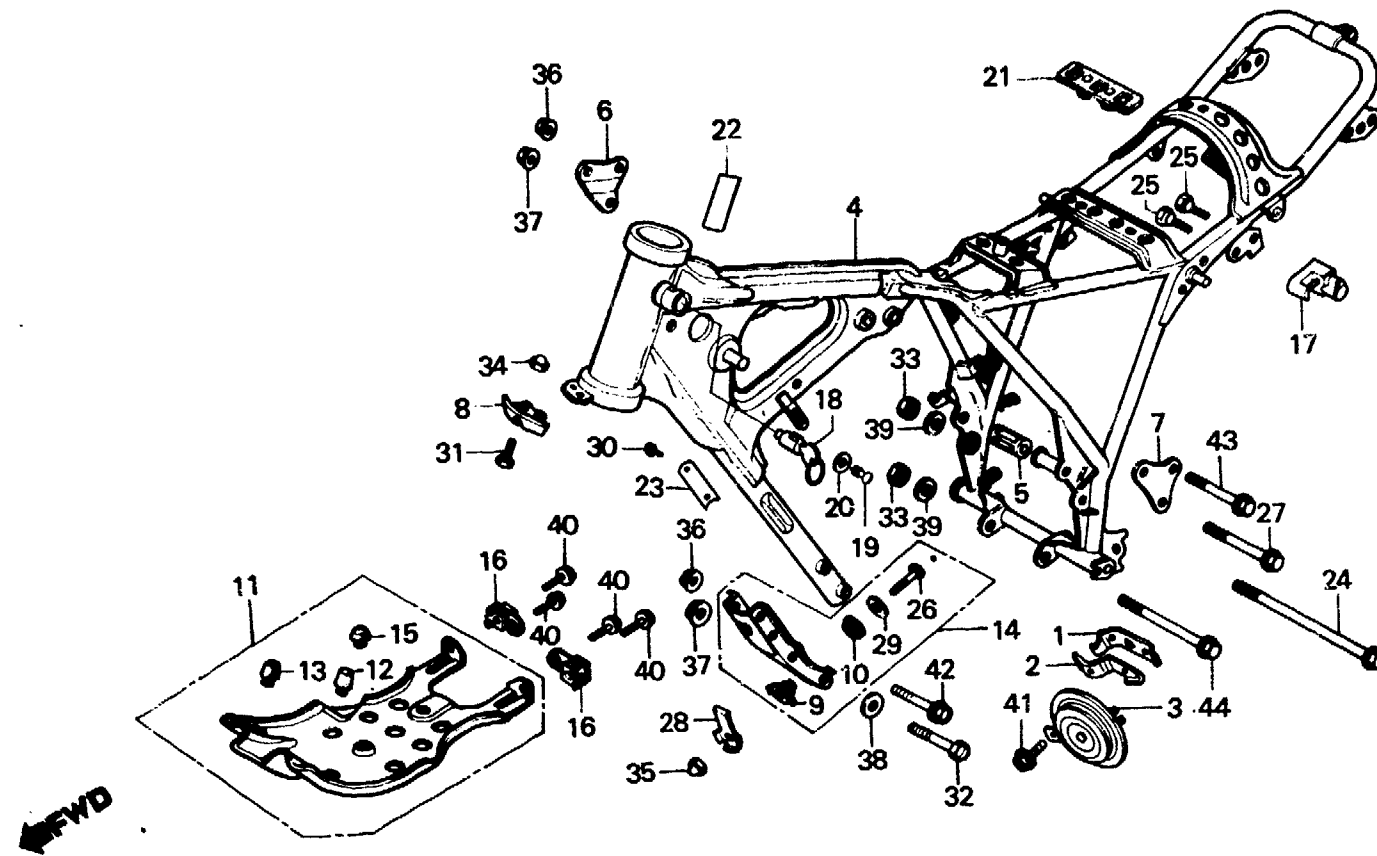
F-26

**Frame body
(XL500Sz·SA·SB)**

**Cadre
(XL500Sz·SA·SB)**

**Rahmen
(XL500Sz·SA·SB)**

**Cuerpo de cuadro
(XL500Sz·SA·SB)**



B435-44B

Service item	F.R.T.	Ref. No.	Part No.	Description	Reqd. No.			Serial No.	Area code
					Sz	XL500 SA	Sa Rc		
		29	90534-011-000	WASHER, 8.3MM	1	1		B,E,ED,F,SD,1G,2G CM,DK,DM,SA,U	
		30	90841-001-000	SCREW, RIVET, 1.5X5	2	2	2	B,E,ED,F,SD,1G,2G	
		31	92000-06016	BOLT, HEX., 6X16	2	2	2	CM,DK,DM,SA,U	
		32	92200-10060-0A	BOLT, HEX., 10X60	2	2	2		
		33	94001-12000-0S	NUT, HEX., 12MM	2	2	2		
		34	94021-06000	NUT, CAP, 6MM	2	2	2	CM,DK,DM,SA,U	
		35	94021-08000-0S	NUT, CAP, 8MM	1	1		B,E,ED,F,SD,1G,2G CM,DK,DM,SA,U	
		36	94050-08000	NUT, FLANGE, 8MM	4	4	4		
		37	94050-10000	NUT, FLANGE, 10MM	3	3	3		
		38	94101-10000	WASHER, PLAIN, 10MM	2	2	2		
		39	94101-12000	WASHER, PLAIN, 12MM	2	2	2		
		40	95700-06012-00	BOLT, FLANGE, 6X12	4	4	4		
		41	95700-08020	BOLT, FLANGE, 8X20			1	B,DK,DM,E,ED,F,SA,SD,U 1G,2G	
		42	95800-08060-00	BOLT, FLANGE, 8X60	2	2	2		
		43	95800-08065-00	BOLT, FLANGE, 8X65	2	2	2		

1981.12.20

E

2-G3

2-G4

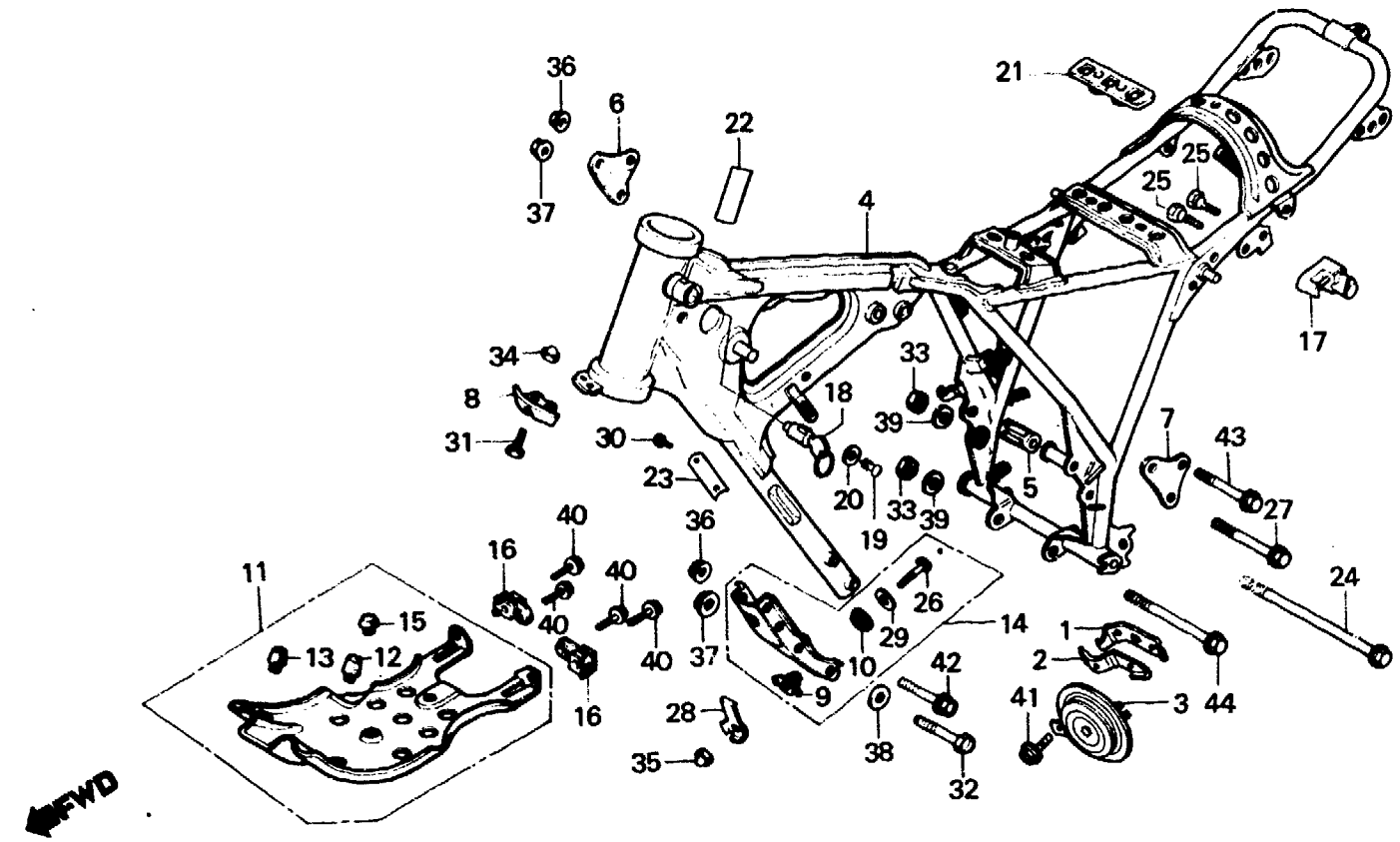
F-26

**Frame body
(XL500Sz·SA·SB)**

**Cadre
(XL500Sz·SA·SB)**

**Rahmen
(XL500Sz·SA·SB)**

**Cuerpo de cuadro
(XL500Sz·SA·SB)**



B435-44B

Service item	F.R.T.	Ref. No.	Part No.	Description	Reqd. No.				Serial No.	Area code
					Sz	SA	Sa	Rc		

44		95800-12125-00	BOLT, FLANGE, 12X125	1	1	1			
----	--	----------------	----------------------	---	---	---	--	--	--

2-G5

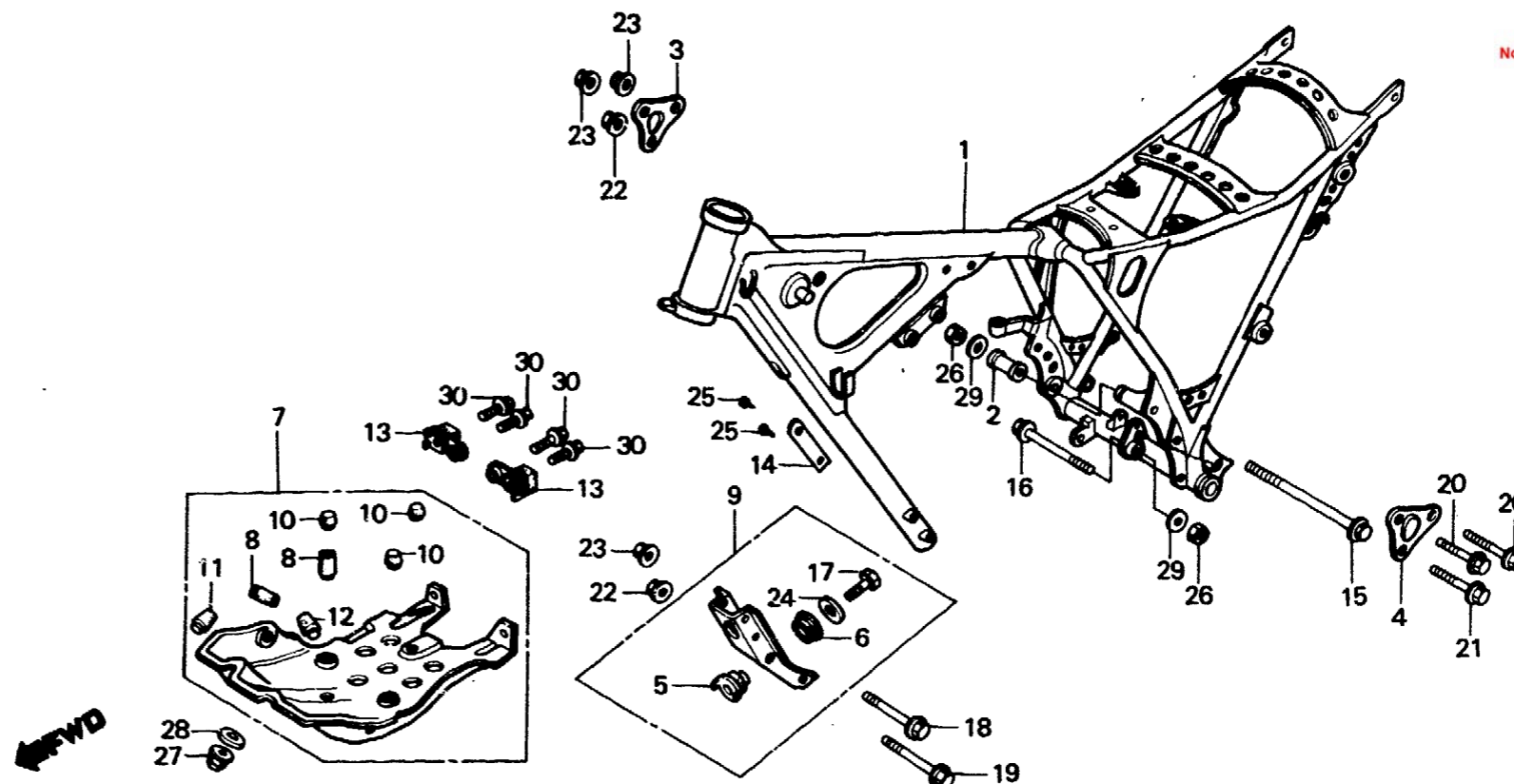
F-26-1

**Frame body
(XL500Rc)**

**Cadre
(XL500Rc)**

**Rahmen
(XL500Rc)**

**Cuerpo de cuadro
(XL500Rc)**



BMC4-20

Service item	F.R.T.	Ref. No.	Part No.	Description	Reqd. No. XL500				Serial No.	Area code	
					Sz	SA	Se	Rc			
BODY COMP., FRAME PLATE, SKID HANGER, FR. ENGINE	*6.0 0.2	1	50100-MC4-000ZA	BODY COMP., FRAME *R-110*				1		DK,DM,SA	
			50100-MC4-000ZB	BODY COMP., FRAME *NH-1*				1		DK,DM,SA	
			50100-MC4-600ZA	BODY COMP., FRAME *R-110*				1		B,E,IT,U	
			50100-MC4-600ZB	BODY COMP., FRAME *NH-1*				1		B,E,IT,U	
			50100-MC4-610ZA	BODY COMP., FRAME *R-110*				1		ED,SD,1G,2G	
			50100-MC4-610ZB	BODY COMP., FRAME *NH-1*				1		ED,SD,1G,2G	
			50100-MC4-620ZA	BODY COMP., FRAME *R-110*				1		F	
			50100-MC4-620ZB	BODY COMP., FRAME *NH-1*				1		F	
			50100-MC4-670ZA	BODY COMP., FRAME *R-110*				1		CM	
			2	50130-MA0-000ZB	COLLAR, ENGINE HANGER *R-110*				1		B,DK,DM,E,ED,F,IT,SA,SD
				50130-MA0-000ZC	COLLAR, ENGINE HANGER *NH-1*				1		U,1G,2G
			3	50138-429-000ZA	PLATE, R. ENGINE HANGER UPPER *NH-1*				1		B,DK,DM,E,ED,F,IT,SA,SD
				50138-429-000ZC	PLATE, R. ENGINE HANGER UPPER *R-110*				1		U,1G,2G