

2-D10

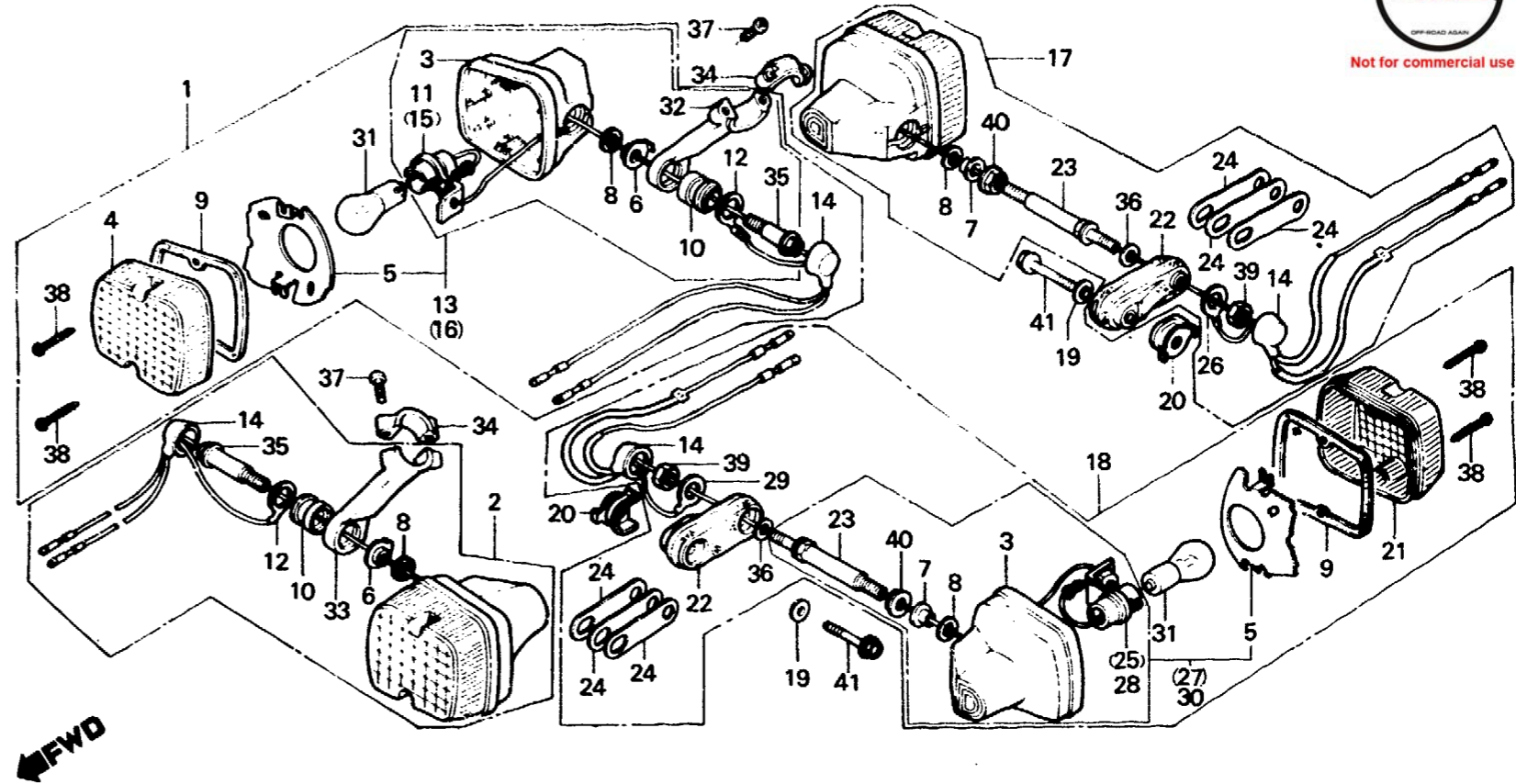
F-22

**Winker (XL500Sz,
SA,SB-B,CM,DK,DM,E,F,SA,U)**

**Clignotant (XL500Sz,
SA,SB-B,CM,DK,DM,E,F,SA,U)**

**Blinker (XL500Sz,
SA,SB-B,CM,DK,DM,E,F,SA,U)**

**Luz intermitente (XL500Sz,
SA,SB-B,CM,DK,DM,E,F,SA,U)**



B435-24

Service item	F.R.T.	Ref. No.	Part No.	Description	Reqd. No.				Serial No.	Area code
					Sz	XL500 SA	SB	Rc		
WINKER SET (ADD 0.1 FOR EACH.) INC. RELATIVE PART (EXC. RELATED PARTS BELOW)	0.2	1	33300-435-000	WINKER SET, R. FR.	1	1	1		DK,DM,SA,U	
			33300-435-600	WINKER SET, R. FR.	1	1	1		B,E,F	
BULB, WINKER (WHEN SERVICING COMP., UNIT, F.R.T. IS 0.2.)	0.1	2	33350-435-000	WINKER SET, L. FR.	1	1	1		CM	
			33350-435-600	WINKER SET, L. FR.	1	1	1		DK,DM,SA,U	
			33350-435-670	WINKER SET, L. FR.	1	1	1		B,E,F	
			33401-428-003	BASE, WINKER	4	4	4		CM	
			33402-428-671	LENS, WINKER	2	2	2		CM,DK,DM,SA,U	
			33403-428-671	REFLECTOR	4	4	4		B,CM,DK,DM,E,F,SA,U	
			33403-443-003	REFLECTOR	4	4	4		CM	
									DK,DM,SA,U	
		6	33404-437-000	STOPPER, FR. WINKER	2	2	2		B,CM,DK,DM,E,F,SA,U	
		7	33405-428-003	COLLAR, WINKER BASE	2	2	2		B,CM,DK,DM,E,F,SA,U	
		8	33406-428-003	SEAL, GASKET	4	4	4		B,CM,DK,DM,E,F,SA,U	

2-D11



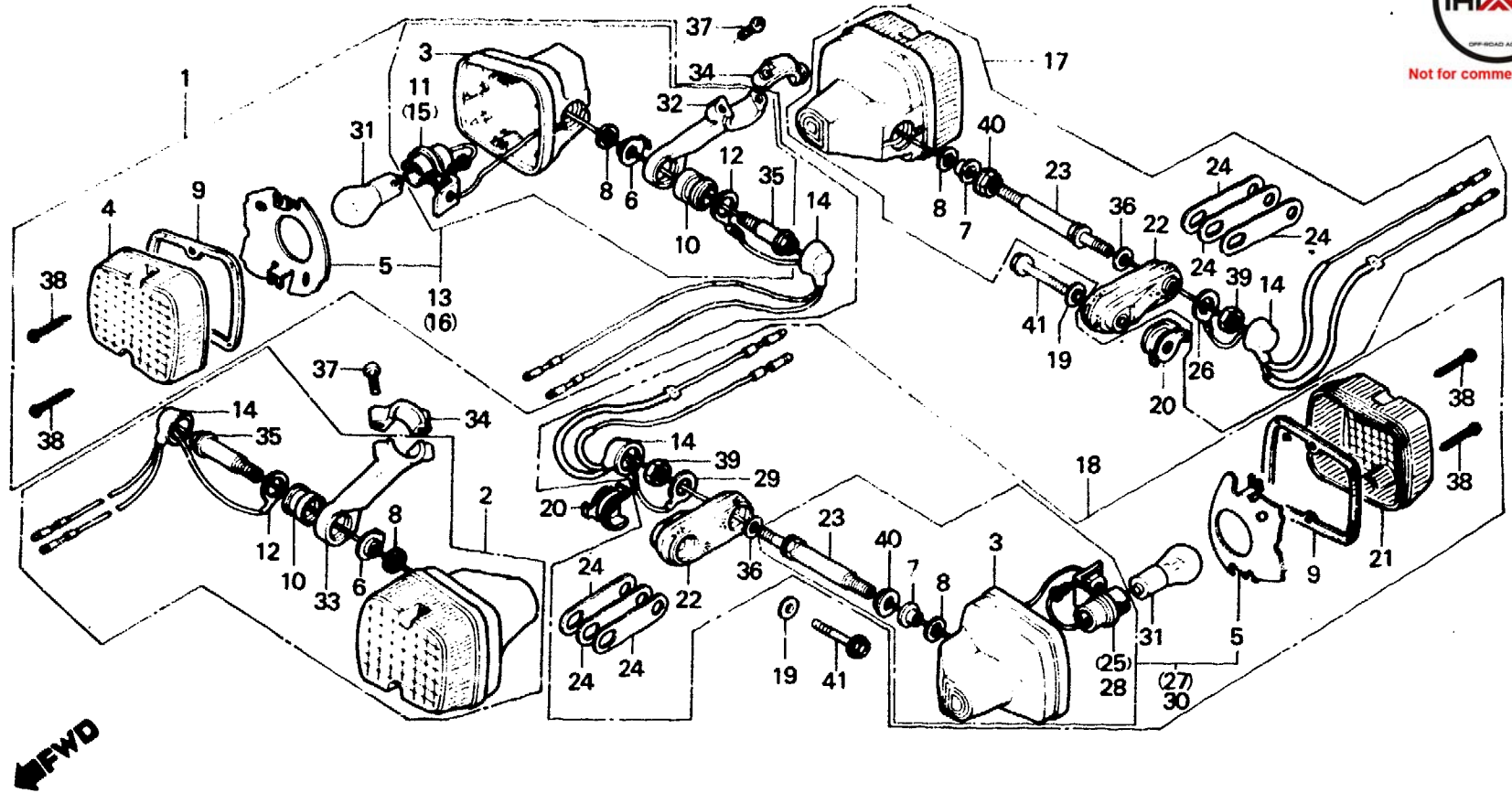
F-22

**Winker (XL500Sz,
SA,SB-B,CM,DK,DM,E,F,SA,U)**

**Clignotant (XL500Sz,
SA,SB-B,CM,DK,DM,E,F,SA,U)**

**Blinker (XL500Sz,
SA,SB-B,CM,DK,DM,E,F,SA,U)**

**Luz intermitente (XL500Sz,
SA,SB-B,CM,DK,DM,E,F,SA,U)**



B435-24

Service item	F.R.T.	Ref. No.	Part No.	Description	Reqd. No. XL500				Serial No.	Area code
					Sz	SA	SB	Rc		
		9	33407-428-003	GASKET, LENS	4	4	4		B,CM,DK,DM,E,F,SA,U	
		10	33408-435-000	RUBBER, FR. WINKER MOUNTING	2	2	2		B,CM,DK,DM,E,F,SA,U	
		11	33410-428-671	SOCKET COMP., R. FR. WINKER	1	1	1		CM,DK,DM,SA,U	
		12	33415-428-010	CORD, WINKER EARTH	2	2	2		B,CM,DK,DM,E,F,SA,U	
		13	33420-435-600	BASE COMP., R. FR. WINKER	1	1	1		B,E,F	
		14	33425-428-000	COVER, WINKER CORD	4	4	4		B,CM,DK,DM,E,F,SA,U	
		15	33460-428-671	SOCKET COMP., L. FR. WINKER	1	1	1		CM,DK,DM,SA,U	
		16	33470-435-600	BASE COMP., L. FR. WINKER	1	1	1		B,E,F	
		17	33500-435-000	WINKER SET, R. RR.	1	1	1		DK,DM,SA,U	
			33500-435-600	WINKER SET, R. RR.	1	1	1		B,E,F	

2-D12



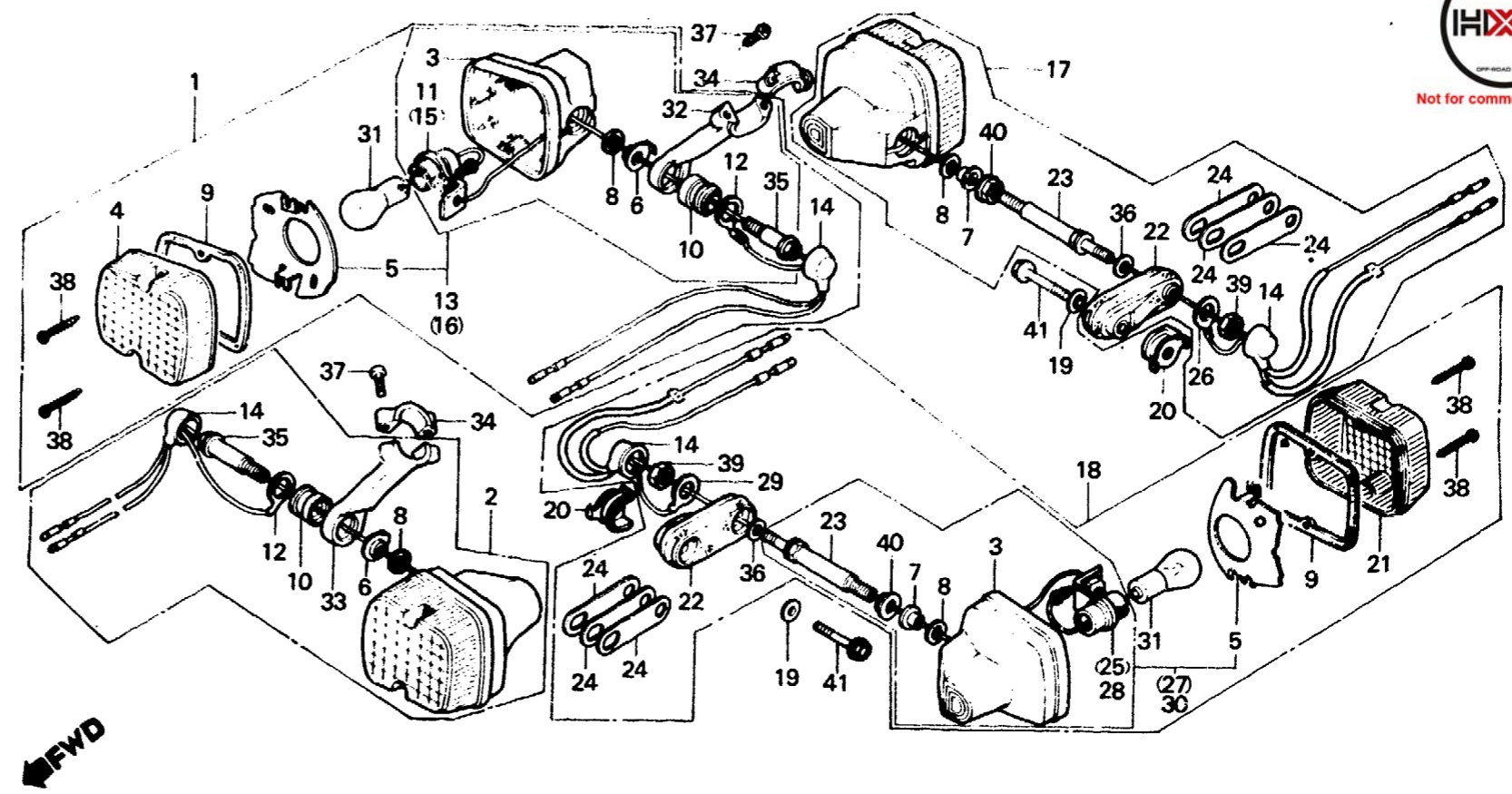
F-22

**Winker (XL500Sz,
SA,SB-B,CM,DK,DM,E,F,SA,U)**

**Clignotant (XL500Sz,
SA,SB-B,CM,DK,DM,E,F,SA,U)**

**Blinker (XL500Sz,
SA,SB-B,CM,DK,DM,E,F,SA,U)**

**Luz intermitente (XL500Sz,
SA,SB-B,CM,DK,DM,E,F,SA,U)**



B435-24

Service item	F.R.T.	Ref. No.	Part No.	Description	Reqd. No.			Serial No.	Area code
					Sz	XL500 SA	Sa Rc		
		18	33500-435-670	WINKER SET, R. RR.	1	1	1	CM	
			33550-435-000	WINKER SET, L. RR.	1	1	1	DK,DM,SA,U	
			33550-435-600	WINKER SET, L. RR.	1	1	1	B,E,F	
			33550-435-670	WINKER SET, L. RR.	1	1	1	CM	
		19	33601-428-000	WASHER, RR. WINKER	2	2	2	B,CM,DK,DM,E,F,SA,U	
		20	33602-435-000	STAY, RR. WINKER	2	2	2	B,CM,DK,DM,E,F,SA,U	
		21	33602-443-611	LENS, WINKER	2	2	2	B,E,F	
			33402-428-671	LENS, WINKER	2	2	2	CM,DK,DM,SA,U	
		22	33604-428-000	RUBBER, RR. WINKER	2	2	2	B,CM,DK,DM,E,F,SA,U	
		23	33605-435-000	BOLT, RR. WINKER	2	2	2	B,CM,DK,DM,E,F,SA,U	
		24	33607-428-010	SPRING, RR. WINKER	6	6	6	B,CM,DK,DM,E,F,SA,U	
		25	33610-428-671	SOCKET COMP., R. RR.	1	1	1	CM,DK,DM,SA,U	

1981.12.20

E

2-D12

2-D13



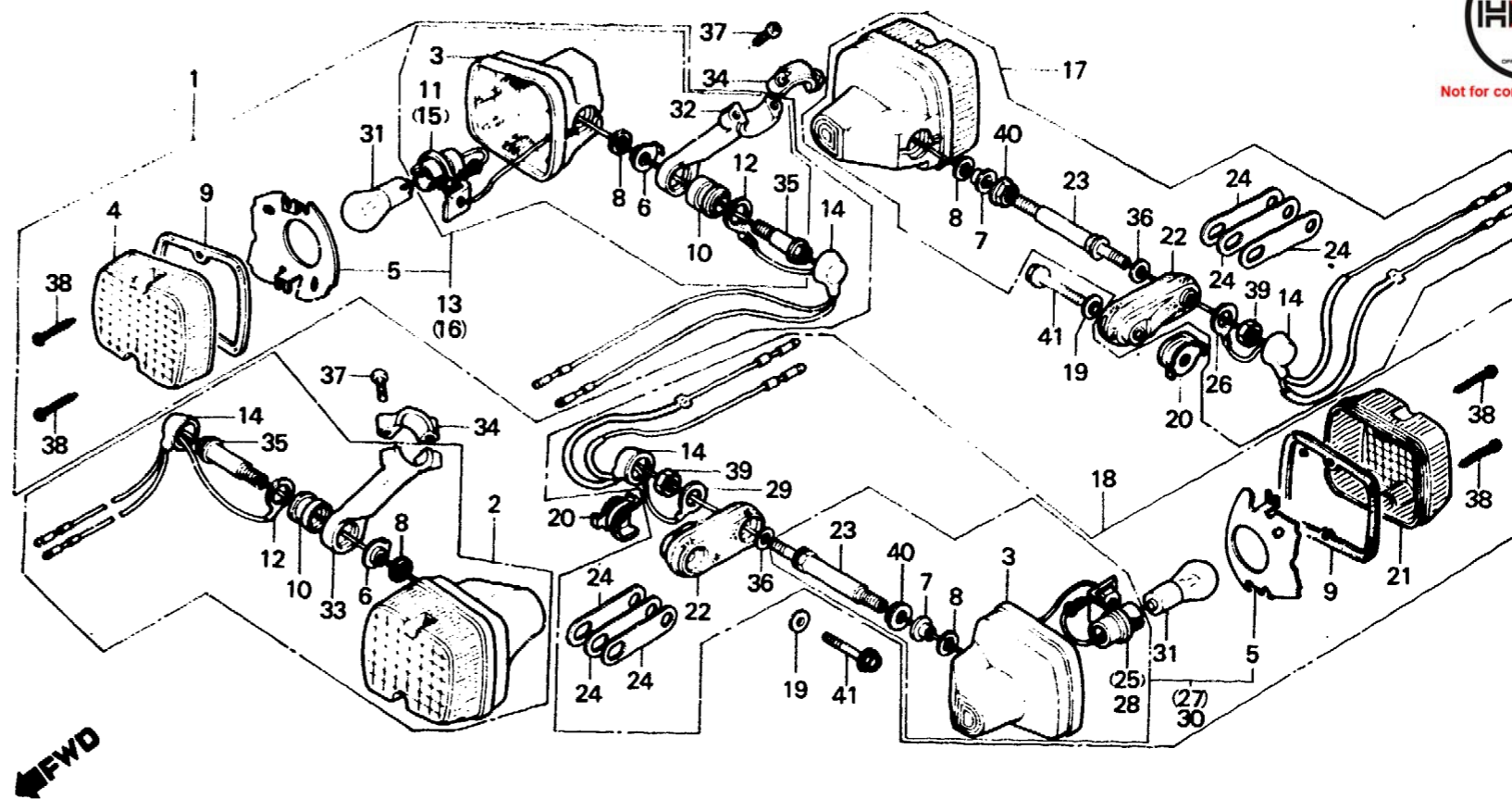
F-22

**Winker (XL500Sz,
SA,SB-B,CM,DK,DM,E,F,SA,U)**

**Clignotant (XL500Sz,
SA,SB-B,CM,DK,DM,E,F,SA,U)**

**Blinker (XL500Sz,
SA,SB-B,CM,DK,DM,E,F,SA,U)**

**Luz intermitente (XL500Sz,
SA,SB-B,CM,DK,DM,E,F,SA,U)**



B435-24

Service item	F.R.T.	Ref. No.	Part No.	Description	Reqd. No.				Serial No.	Area code
					Sz	SA	SB	Rc		
		26	33615-428-000	CORD, R. WINKER EARTH	1	1	1		B,CM,DK,DM,E,F,SA,U	
		27	33620-435-600	BASE COMP., R. RR. WINKER	1	1	1		B,E,F	
		28	33660-428-671	SOCKET COMP., L. RR.	1	1	1		CM,DK,DM,SA,U	
		29	33665-428-000	CORD, L. WINKER EARTH	1	1	1		B,CM,DK,DM,E,F,SA,U	
		30	33670-435-600	BASE COMP., L. RR. WINKER	1	1	1		B,E,F	
		31	34905-358-003	BULB, WINKER (6V 17W)	4	4	4		CM,DK,DM,SA,U	
			34905-399-611	BULB, WINKER (LOCAL PROCUREMENT PART)	4	4	4		B,E,F	
		32	53101-428-000	BRACKET, R. FR. WINKER	1	1	1		B,CM,DK,DM,E,F,SA,U	
		33	53102-428-000	BRACKET, L. FR. WINKER	1	1	1		B,CM,DK,DM,E,F,SA,U	
		34	53103-428-000	HOLDER, WINKER STAY	2	2	2		B,CM,DK,DM,E,F,SA,U	



Not for commercial use

2-D14

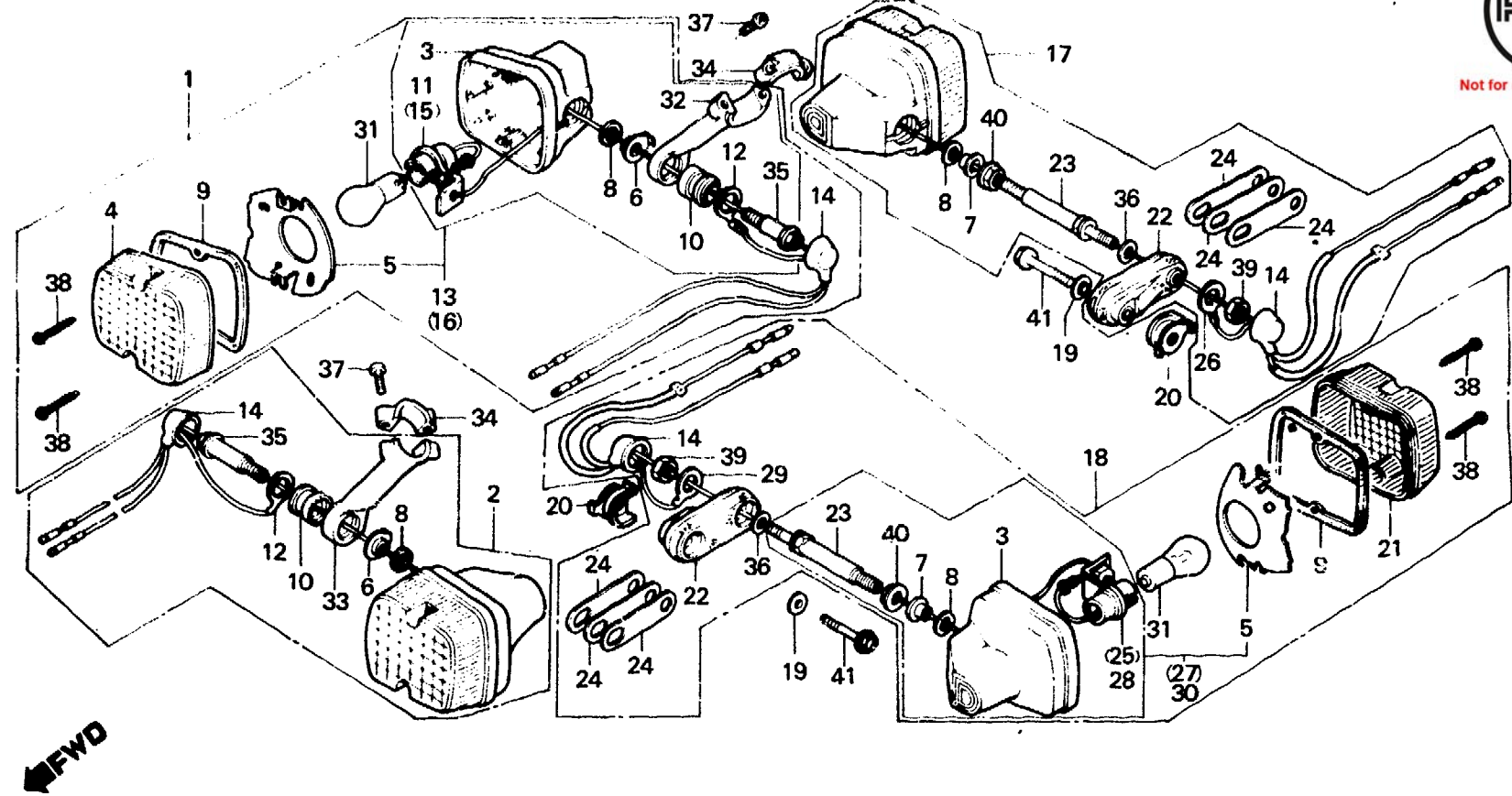
F-22

**Winker (XL500Sz,
SA,SB-B,CM,DK,DM,E,F,SA,U)**

**Clignotant (XL500Sz,
SA,SB-B,CM,DK,DM,E,F,SA,U)**

**Blinker (XL500Sz,
SA,SB-B,CM,DK,DM,E,F,SA,U)**

**Luz intermitente (XL500Sz,
SA,SB-B,CM,DK,DM,E,F,SA,U)**



B435-24

Service item	F.R.T.	Ref. No.	Part No.	Description	Reqd. No.				Serial No.	Area code
					Sz	SA	SB	Rc		
		35	90129-428-000	BOLT, FR. WINKER SETTING	2	2	2		B,CM,DK,DM,E,F,SA,U	
		36	90528-329-690	WASHER, 10.2X20	2	2	2		B,CM,DK,DM,E,F,SA,U	
		37	93500-05016-0A	SCREW, PAN, 5X16	4	4	4		B,CM,DK,DM,E,F,SA,U	
		38	93901-24610	SCREW, TAPPING, 4X25	8	8	8		B,CM,DK,DM,E,F,SA,U	
		39	94002-10000-0S	NUT, HEX., 10MM	2	2	2		CM,DK,DM,SA,U	
		40	94050-1000C	NUT, FLANGE, 10MM	2	2	2		B,CM,DK,DM,E,F,SA,U	
		41	95700-06060-00	BOLT, FLANGE, 6X60	2	2	2		B,CM,DK,DM,E,F,SA,U	

1981.12.20

E

2-D14

2-D15



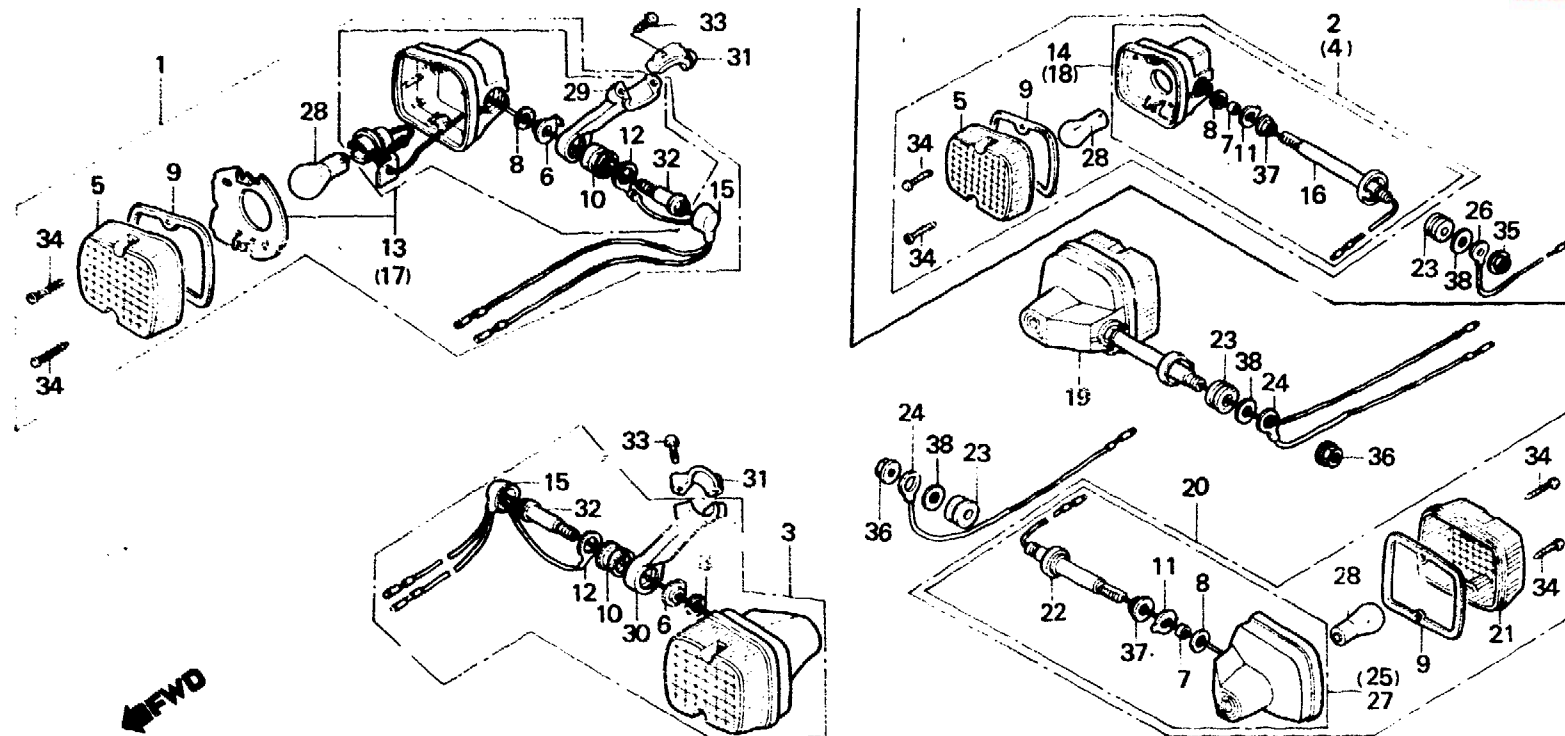
F-22-1

Winker
(XL500Sz, SA, SB-ED, SD, 1G, 2G)

Clignotant
(XL500Sz, SA, SB-ED, SD, 1G, 2G)

Blinker
(XL500Sz, SA, SB-ED, SD, 1G, 2G)

Luz intermitente
(XL500Sz, SA, SB-ED, SD, 1G, 2G)



B435-64

Service item	F.R.T.	Ref. No.	Part No.	Description	Reqd. No.				Serial No.	Area code
					Sz	SA	Sb	Rc		
WINKER SET (ADD 0.1 FOR EACH.) INC. RELATIVE PART (EXC. RELATED PARTS BELOW) BULB, WINKER (WHEN SERVICING COMP., UNIT, F.R.T. IS 0.2.)	0.2	1	33300-435-600	WINKER SET, R. FR.			1		ED, SD, 1G, 2G	
		2	33300-435-610	WINKER SET, R. FR.	1	1			ED, SD, 1G, 2G	
		3	33350-435-600	WINKER SET, L. FR.			1		ED, SD, 1G, 2G	
		4	33350-435-610	WINKER SET, L. FR.	1	1			ED, SD, 1G, 2G	
	0.1	5	33402-428-671	LENS, WINKER	2	2	2		ED, SD, 1G, 2G	
		6	33404-437-000	STOPPER, FR. WINKER			2		ED, SD, 1G, 2G	
		7	33405-428-611	COLLAR, WINKER BASE	4	4	2		ED, SD, 1G, 2G	
		8	33406-428-003	SEAL, GASKET	4	4	4		ED, SD, 1G, 2G	
		9	33407-428-003	GASKET, LENS	4	4	4		ED, SD, 1G, 2G	
		10	33408-435-000	RUBBER, FR. WINKER MOUNTING			2		ED, SD, 1G, 2G	
		11	33411-428-611	WASHER, WINKER BASE	4	4	2		ED, SD, 1G, 2G	
		12	33415-428-010	CORD, WINKER EARTH			2		ED, SD, 1G, 2G	

2-D16

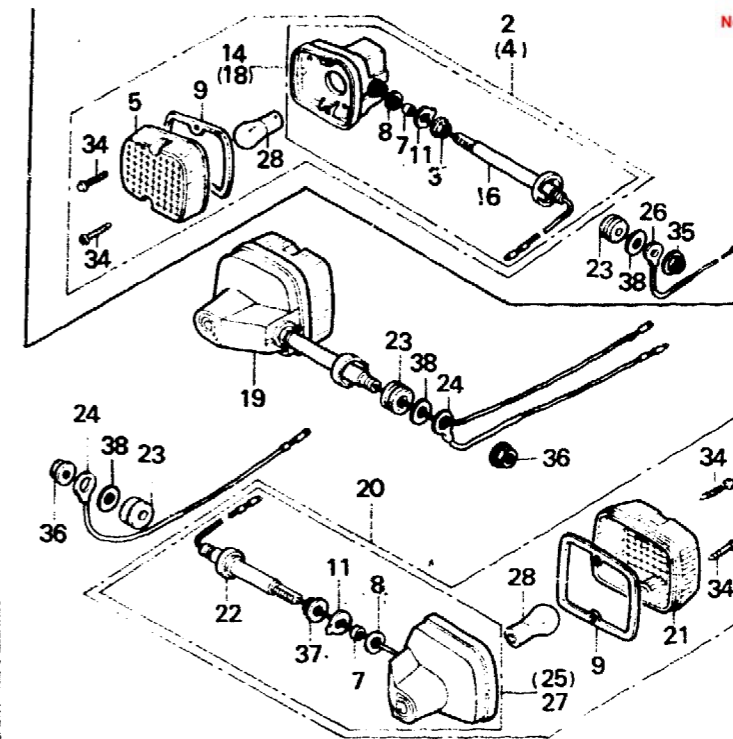
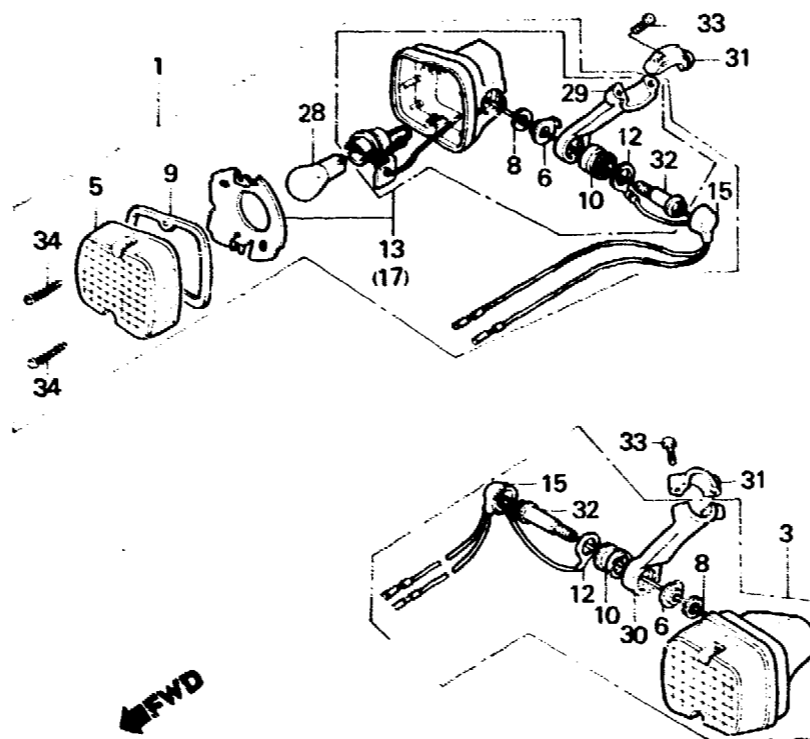
F-22-1

Winker
(XL500Sz, SA, SB-ED, SD, 1G, 2G)

Clignotant
(XL500Sz, SA, SB-ED, SD, 1G, 2G)

Blinker
(XL500Sz, SA, SB-ED, SD, 1G, 2G)

Luz intermitente
(XL500Sz, SA, SB-ED, SD, 1G, 2G)



B435-64

Service item	F.R.T.	Ref. No.	Part No.	Description	Reqd. No.				Serial No.	Area code
					Sz	SA	SA	Rc		
		13	33420-435-600	BASE COMP., R. FR. WINKER			1		ED,SD,1G,2G	
		14	33420-435-610	BASE COMP., R. FR. WINKER	1	1			ED,SD,1G,2G	
		15	33425-428-003	COVER, WINKER CORD			2		ED,SD,1G,2G	
		16	33441-435-610	BOLT, FR. WINKER	2	2			ED,SD,1G,2G	
		17	33470-435-600	BASE COMP., L. FR. WINKER			1		ED,SD,1G,2G	
		18	33470-435-610	BASE COMP., L. FR. WINKER	1	1			ED,SD,1G,2G	
		19	33500-428-611	WINKER SET, R. RR.	1	1	1		ED,SD,1G,2G	
		20	33550-428-611	WINKER SET, L. RR.	1	1	1		ED,SD,1G,2G	
		21	33602-443-611	LENS, WINKER	2	2	2		ED,SD,1G,2G	
		22	33605-428-610	BOLT, RR. WINKER	2	2			ED,SD,1G,2G	
		23	33606-428-610	RUBBER, WINKER BOLT MOUNTING	4	4			ED,SD,1G,2G	
							2		ED,SD,1G,2G	

2-E1



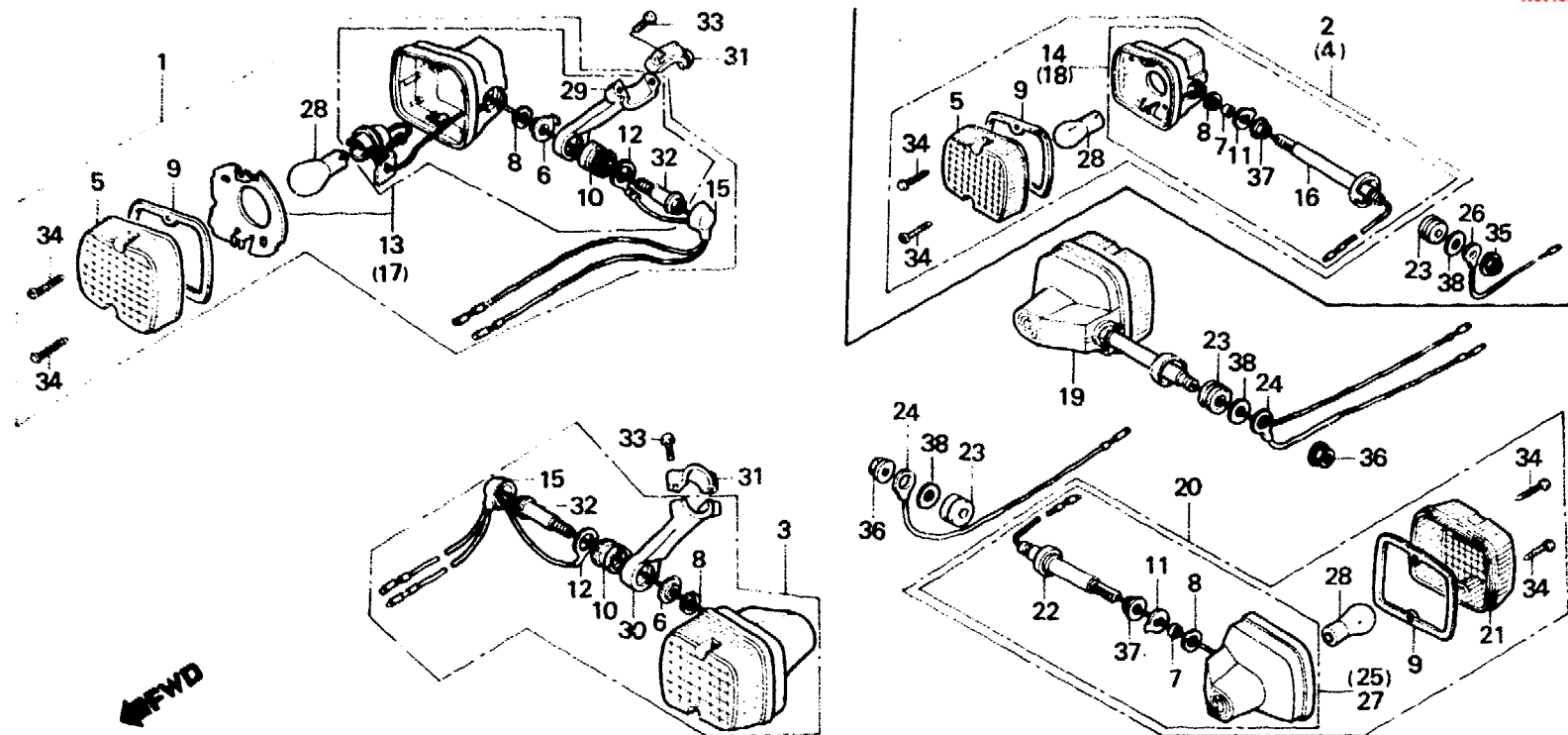
F-22-1

Winker
(XL500Sz, SA, SB-ED, SD, 1G, 2G)

Clignotant
(XL500Sz, SA, SB-ED, SD, 1G, 2G)

Blinker
(XL500Sz, SA, SB-ED, SD, 1G, 2G)

Luz intermitente
(XL500Sz, SA, SB-ED, SD, 1G, 2G)



B435-64

Service item	F.R.T.	Ref. No.	Part No.	Description	Reqd. No.				Serial No.	Area code
					Sz	SA	SB	Rc		
		24	33615-428-610	CORD, WINKER EARTH	2	2	2		ED,SD,1G,2G	
		25	33620-428-611	BASE COMP., R. RR. WINKER	1	1	1		ED,SD,1G,2G	
		26	33665-428-000	CORD, L. WINKER EARTH	2	2			ED,SD,1G,2G	
		27	33670-428-611	BASE COMP., L. RR. WINKER	1	1	1		ED,SD,1G,2G	
		28	34905-399-611	BULB, WINKER (LOCAL PROCUREMENT PART)	4	4	4		ED,SD,1G,2G	
		29	53101-428-000	BRACKET, R. FR. WINKER				1	ED,SD,1G,2G	
		30	53102-428-000	BRACKET, L. FR. WINKER				1	ED,SD,1G,2G	
		31	53103-428-000	HOLDER, WINKER STAY				2	ED,SD,1G,2G	
		32	90129-428-000	BOLT, FR. WINKER SETTING				2	ED,SD,1G,2G	
		33	93500-05016-0A	SCREW, PAN, 5X16				4	ED,SD,1G,2G	
		34	93901-24610	SCREW, TAPPING, 4X25	8	8	8		ED,SD,1G,2G	

1981.12.20

E

2-E1

2-E2



Not for commercial use

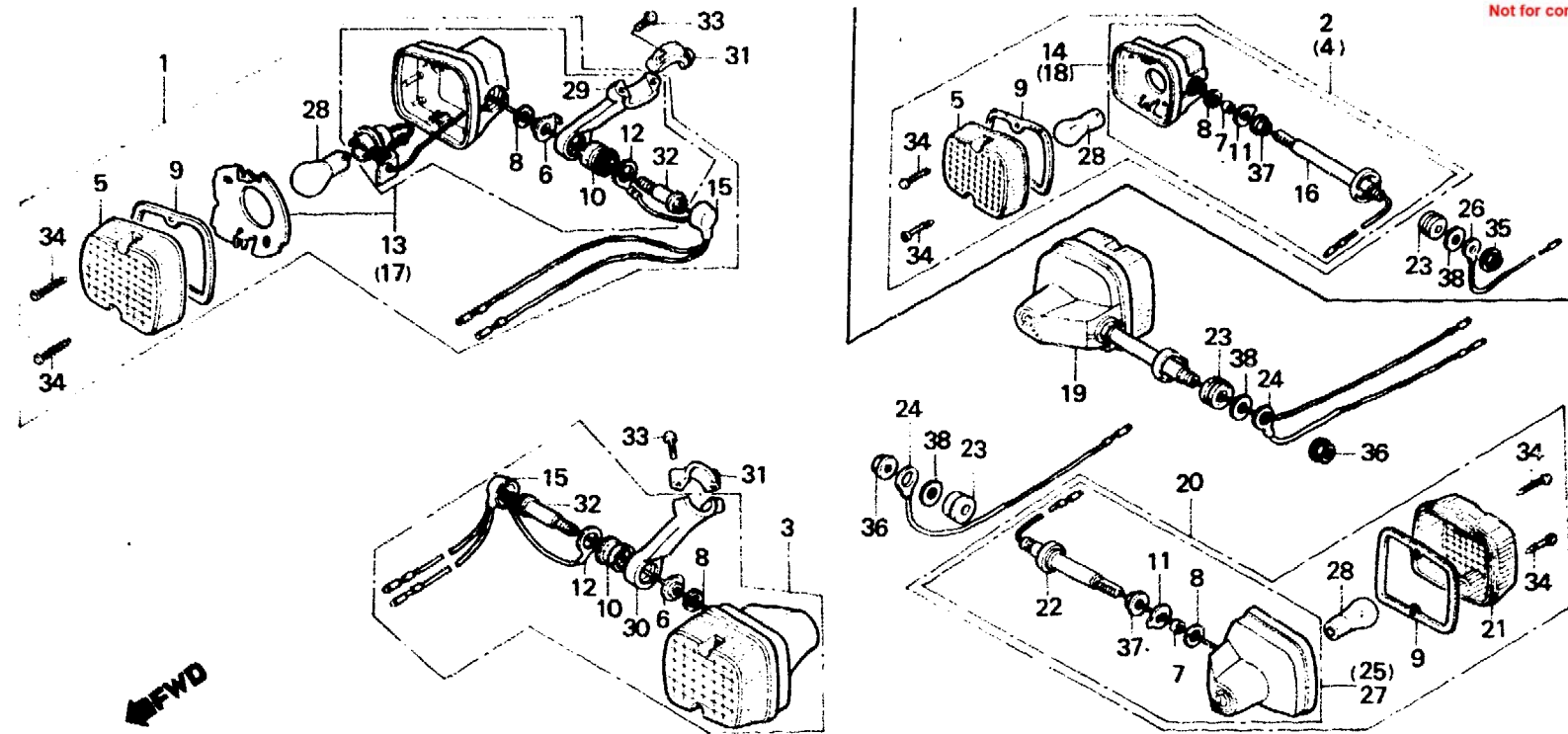
F-22-1

Winker
(XL500Sz, SA, SB-ED, SD, 1G, 2G)

Clignotant
(XL500Sz, SA, SB-ED, SD, 1G, 2G)

Blinker
(XL500Sz, SA, SB-ED, SD, 1G, 2G)

Luz intermitente
(XL500Sz, SA, SB-ED, SD, 1G, 2G)



B435-64

Service item	F.R.T.	Ref. No.	Part No.	Description	Reqd. No.				Serial No.	Area code
					Sz	XL500 SA	SB	Rc		
		35	94001-10000-0S	NUT, HEX., 10MM	2	2	2		ED, SD, 1G, 2G	
		36	94002-10000-0S	NUT, HEX., 10MM	2	2	2		ED, SD, 1G, 2G	
		37	94050-10000	NUT, FLANGE, 10MM	4	4	2		ED, SD, 1G, 2G	
		38	94101-10000	WASHER, PLAIN, 10MM	4	4	4		ED, SD, 1G, 2G	

2-E3



Not for commercial use

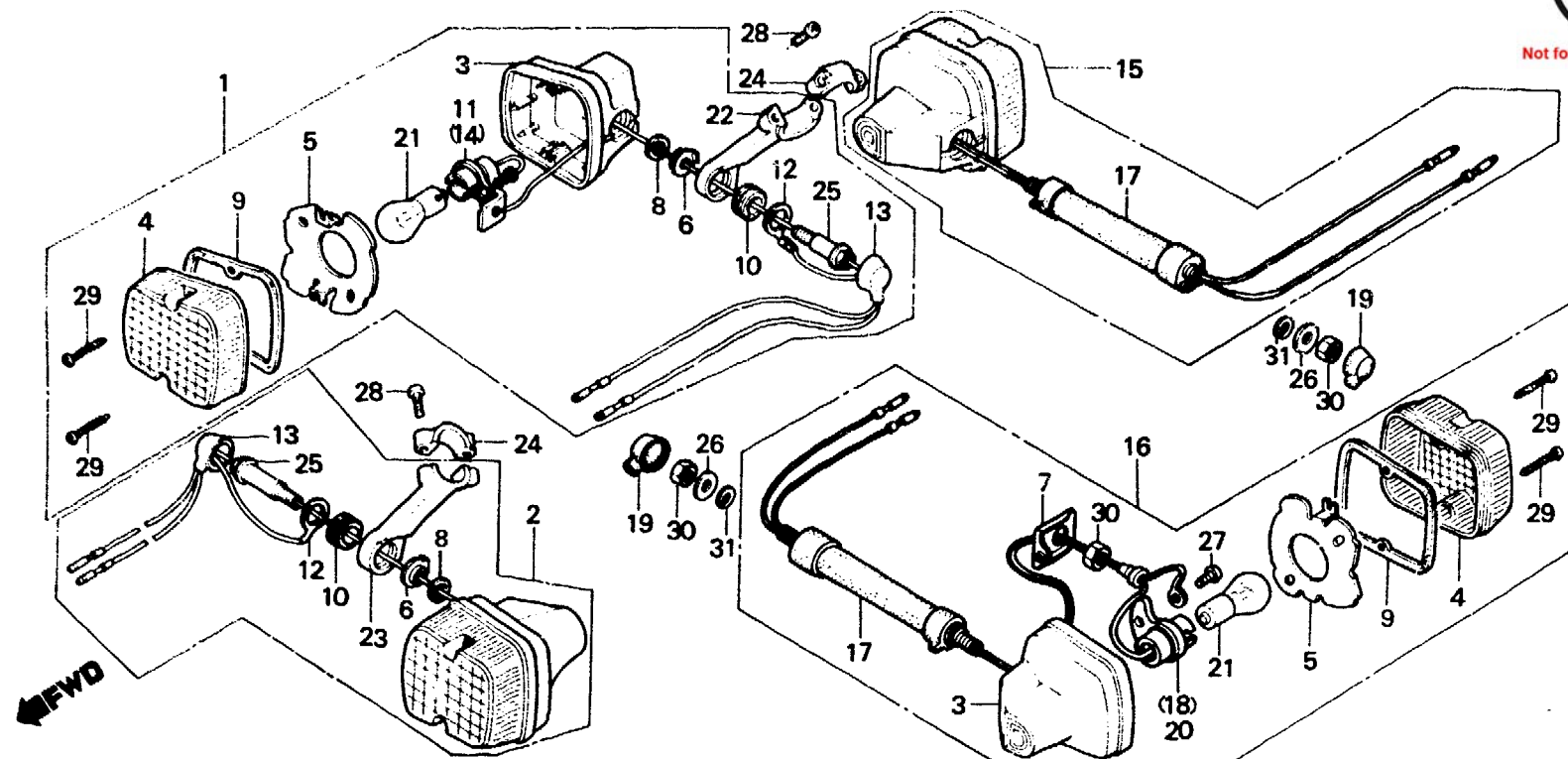
F-22-2

Winker
(XL 500Rc-CM,DK,DM,SA,U)

Clignotant
(XL 500Rc-CM,DK,DM,SA,U)

Blinker
(XL 500Rc-CM,DK,DM,SA,U)

Luz intermitente
(XL 500Rc-CM,DK,DM,SA,U)



BKB7-28

Service item	F.R.T.	Ref. No.	Part No.	Description	Reqd. No.				Serial No.	Area code
					Sz	SA	Sa	Rc		
WINKER SET (ADD 0.1 FOR EACH.) INC. RELATIVE PART (EXC. RELATED PARTS BELOW)	0.2	1	33300-KB7-000	WINKER SET, R. FR.				1	DK,DM,SA,U	
			33300-MC4-670	WINKER SET, R. FR.				1	CM	
BULB, WINKER (WHEN SERVICING COMP., UNIT, F.R.T. IS 0.2.)	0.1	2	33350-KB7-000	WINKER SET, L. FR.				1	DK,DM,SA,U	
			33350-MC4-670	WINKER SET, L. FR.				1	CM	
		3	33401-428-003	BASE, WINKER				4	CM,DK,DM,SA,U	
		4	33402-428-671	LENS, WINKER				4	CM,DK,DM,SA,U	
		5	33403-428-671	REFLECTOR				4	CM	
			33403-443-003	REFLECTOR				4	DK,DM,SA,U	
		6	33404-437-000	STOPPER, FR. WINKER				2	CM,DK,DM,SA,U	
		7	33405-KB7-003	PLATE, SETTING				2	CM,DK,DM,SA,U	
		8	33406-428-003	SEAL, GASKET				2	CM,DK,DM,SA,U	
		9	33407-428-003	GASKET, LENS				4	CM,DK,DM,SA,U	
		10	33408-KB7-000	RUBBER, FR. WINKER MOUNTING				2	CM,DK,DM,SA,U	
		11	33410-428-671	SOCKET COMP., R. FR. WINKER				1	CM,DK,DM,SA,U	

1981.12.20

E

2-E3

2-E4

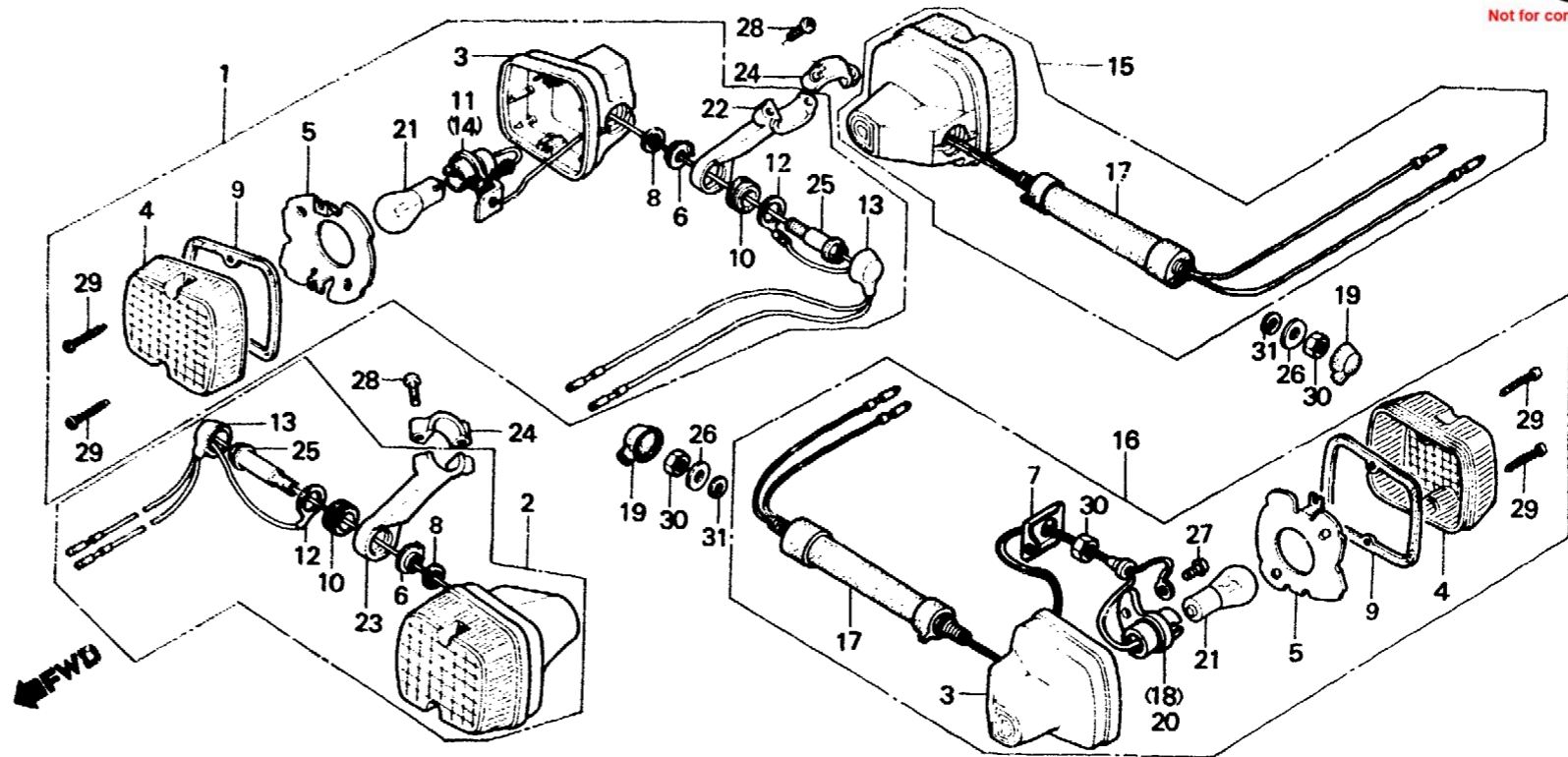
F-22-2

Winker
(XL 500Rc-CM,DK,DM,SA,U)

Clignotant
(XL 500Rc-CM,DK,DM,SA,U)

Blinker
(XL 500Rc-CM,DK,DM,SA,U)

Luz intermitente
(XL 500Rc-CM,DK,DM,SA,U)



BKB7-28

Service item	F.R.T.	Ref. No.	Part No.	Description	Reqd. No.				Serial No.	Area code
					Sz	SA	SA	Rc		
		12	33415-428-010	CORD, WINKER EARTH				2		CM,DK,DM,SA,U
		13	33425-KB7-000	COVER, WINKER CORD				2		CM,DK,DM,SA,U
		14	33460-428-671	SOCKET COMP., L. FR. WINKER				1		CM,DK,DM,SA,U
		15	33500-KB7-000	WINKER SET, R. RR.				1		DK,DM,SA,U
			33500-MC4-670	WINKER SET, R. RR.				1		CM
		16	33550-KB7-000	WINKER SET, L. RR.				1		DK,DM,SA,U
			33550-MC4-670	WINKER SET, L. RR.				1		CM
		17	33605-KB7-003	STAY COMP., WINKER				2		CM,DK,DM,SA,U
		18	33605-KB7-000	SOCKET COMP., R. RR.				1		CM,DK,DM,SA,U
		19	33625-428-000	COVER, WINKER CORD				2		CM,DK,DM,SA,U
		20	33660-KB7-000	SOCKET COMP., L. RR.				1		CM,DK,DM,SA,U

2-E5



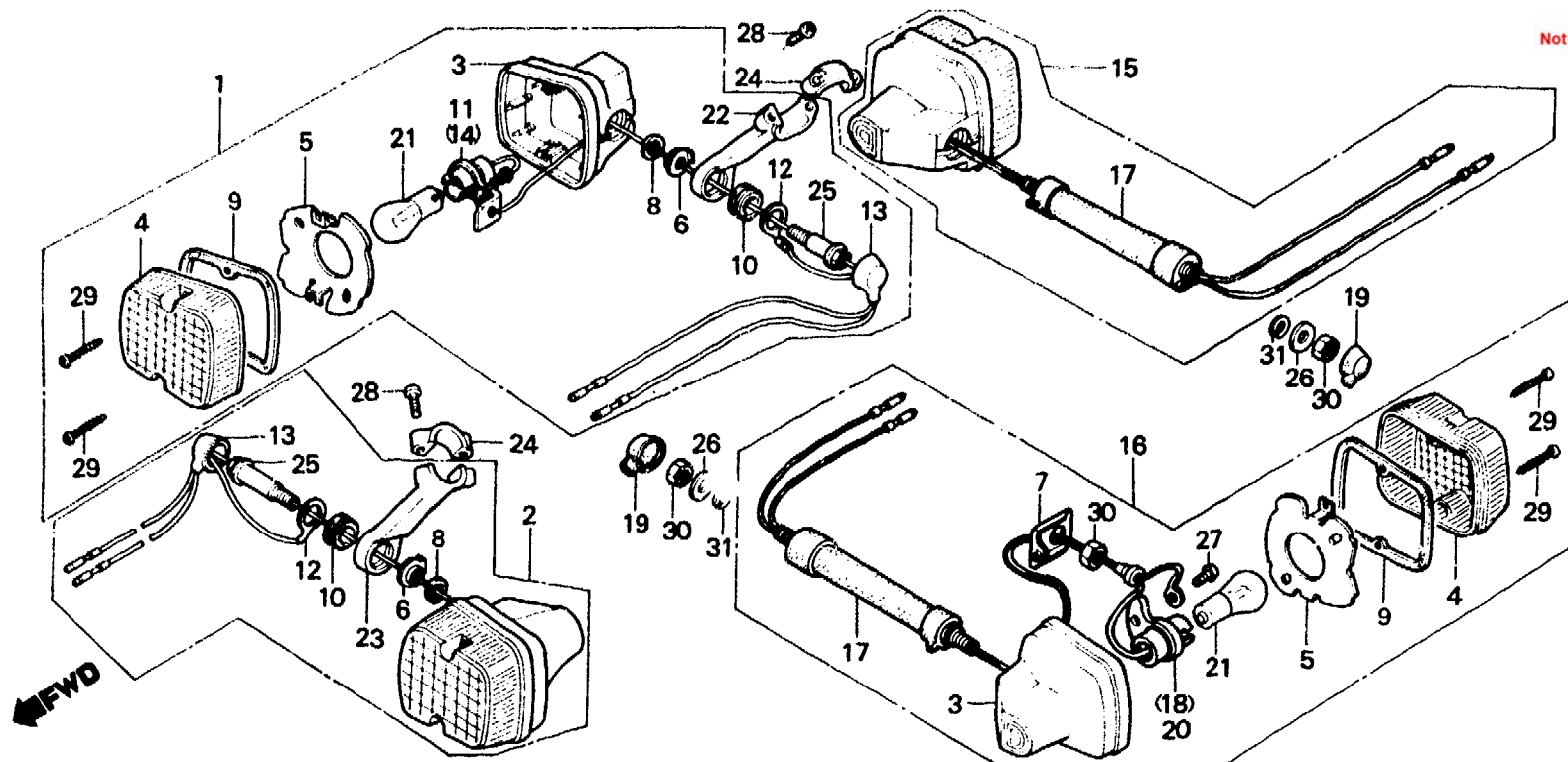
F-22-2

Winker
(XL500Rc-CM,DK,DM,SA,U)

Clignotant
(XL500Rc-CM,DK,DM,SA,U)

Blinker
(XL500Rc-CM,DK,DM,SA,U)

Luz intermitente
(XL500Rc-CM,DK,DM,SA,U)



BK7-28

Service item	F.R.T.	Ref. No.	Part No.	Description	Reqd. No.				Serial No.	Area code
					Sz	SA	SA	Rc		
		21	34905-268-671	BULB, WINKER (12V23W)				4		CM,DK,DM,SA,U
		22	53101-KB7-000	BRACKET, R. FR. WINKER				1		CM,DK,DM,SA,U
		23	53102-KB7-000	BRACKET, L. FR. WINKER				1		CM,DK,DM,SA,U
		24	53103-428-000	HOLDER, WINKER STAY				2		CM,DK,DM,SA,U
		25	90129-428-000	BOLT, FR. WINKER SETTING				2		CM,DK,DM,SA,U
		26	90202-KB7-000	WASHER, SPECIAL, 10MM				2		CM,DK,DM,SA,U
		27	93500-04008-0H	SCREW, PAN, 4X8				2		CM,DK,DM,SA,U
		28	93500-05016-0A	SCREW, PAN, 5X16				4		CM,DK,DM,SA,U
		29	93901-24610	SCREW, TAPPING, 4X25				8		CM,DK,DM,SA,U
		30	94001-10000-0S	NUT, HEX., 10MM				4		CM,DK,DM,SA,U
		31	94111-10700	WASHER, SPRING, 10MM				2		CM,DK,DM,SA,U

1981.12.20

E

2-E5