

2-C11

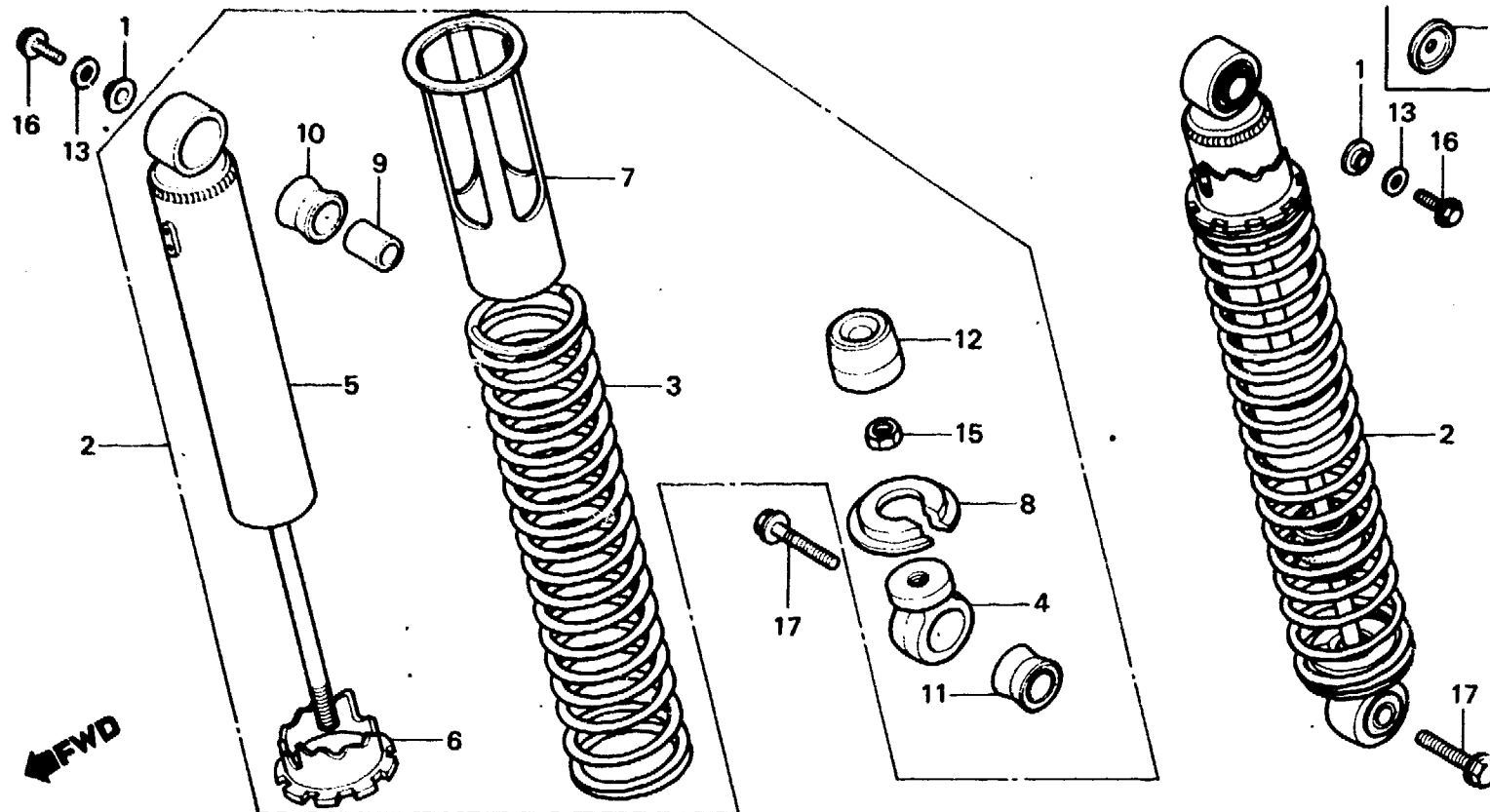
F-20

**Rear cushion
(XL500Sz·SA·SB)**

**Amortisseur arrière
(XL500Sz·SA·SB)**

**Hinterer Stoßdämpfer
(XL500Sz·SA·SB)**

**Amortiguador trasero
(XL500Sz·SA·SB)**



B435-22A

Service item	F.R.T.	Ref. No.	Part No.	Description	Reqd. No.				Serial No.	Area code
					Sz	SA	Sb	Rc		
CUSHION ASSY., RR. DAMPER COMP., RR. INC. RELATIVE PART	0.1 0.3	1	16587-862-000	COLLAR, THROTTLE ARM	2	2	2		CM,DK,DM,E,F,SA,U	
		2	52400-435-003	CUSHION ASSY., RR.	2	2				
			52400-435-701	CUSHION ASSY., RR.			2		CM	
			52400-435-761ZA	CUSHION ASSY., RR. *R-110*			2		B,DK,DM,E,ED,F,SA,SD,U 1G,2G	
			52400-435-761ZB	CUSHION ASSY., RR. *NH-1*			2		B,DK,DM,E,ED,F,SA,SD,U 1G,2G	
		3	52401-435-003	SPRING, RR. CUSHION (BLACK)	2	2	2			
			52401-435-761	SPRING, RR. CUSHION (MONZA RED)			2		B,DK,DM,E,ED,F,SA,SD,U 1G,2G	
		4	52403-391-671	JOINT COMP., UPPER	2	2	2			
		5	52410-435-003	DAMPER COMP., RR.	2	2				
			52410-435-701	DAMPER COMP., RR.			2			
		6	52422-410-003	ADJUSTER, SPRING	2	2	2			
		7	52458-428-003	GUIDE, SPRING	2	2	2			
		8	52459-428-003	SEAT, SPRING UPPER	2	2	2			
9	52486-056-000	COLLAR, RR. CUSHION RUBBER BUSH	2	2	2					

2-C12

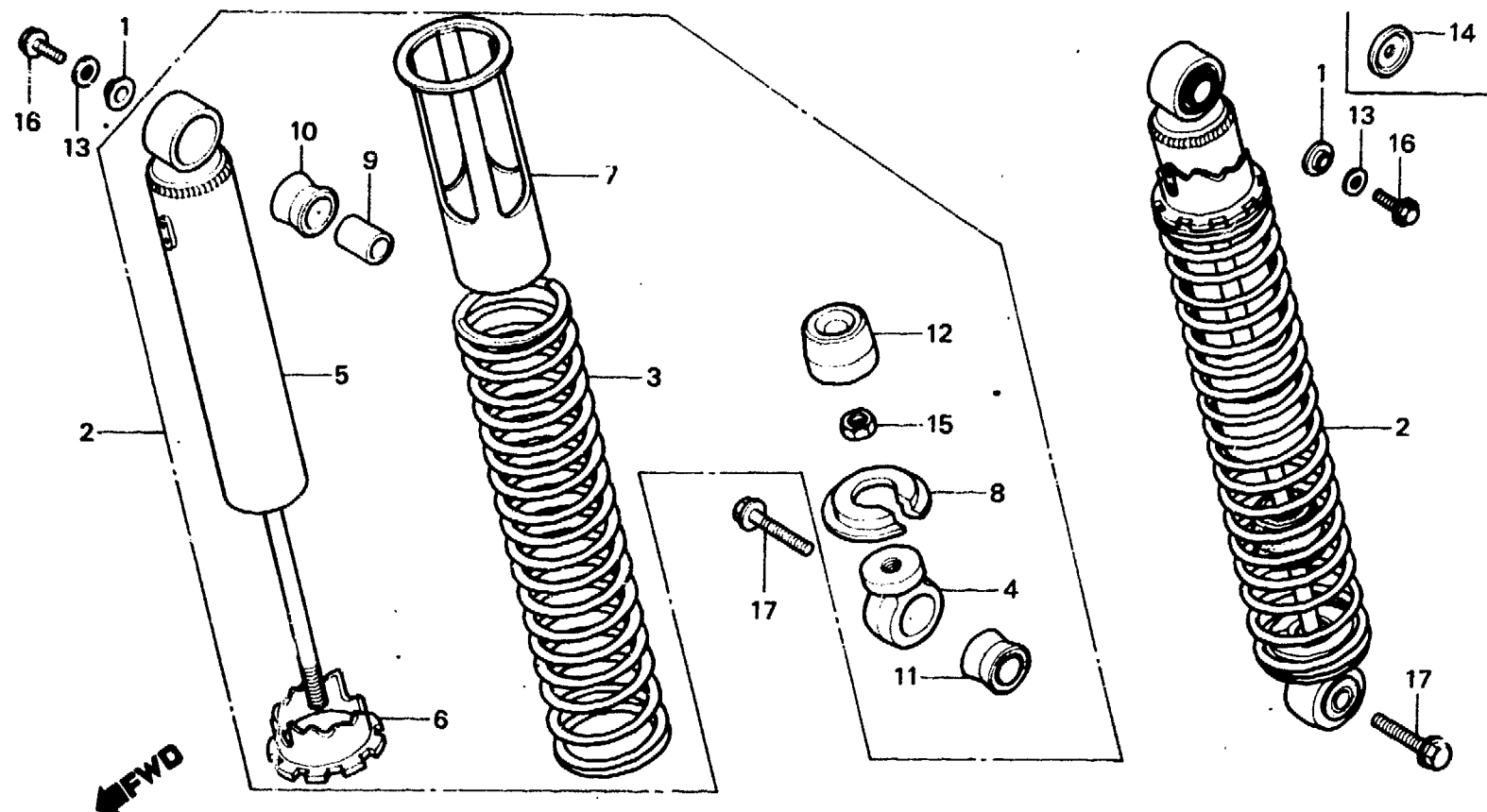
F-20

**Rear cushion
(XL500Sz·SA·SB)**

**Amortisseur arrière
(XL500Sz·SA·SB)**

**Hinterer Stoßdämpfer
(XL500Sz·SA·SB)**

**Amortiguador trasero
(XL500Sz·SA·SB)**



B435-22A

Service item	F.R.T.	Ref. No.	Part No.	Description	Reqd. No.				Serial No.	Area code
					Sz	XL500	SA	SB		
		10	52488-331-003	RUBBER B, JOINT (SHOWA)	2	2	2			
		11	52489-361-000	BUSH, DAMPER	2	2	2			
		12	52517-404-003	RUBBER, STOPPER	2	2	2			
		13	71979-538-940	WASHER, SUN ROOF	2	2	2		CM,DK,DM,E,F,SA,U	
		14	90502-428-000	WASHER, RR. CUSHION	2	2	2		B,ED,SD,1G,2G	
		15	94002-10000-05	NUT, HEX., 10MM	2	2	2			
		16	95700-06016-00	BOLT, FLANGE, 6X16	2	2	2		B,CM,DK,DM,E,F,SA,U	
			95700-06012-00	BOLT, FLANGE, 6X12	2	2	2		ED,SD,1G,2G	
		17	95700-10035-00	BOLT, FLANGE, 10X35	2	2	2			

2-C13

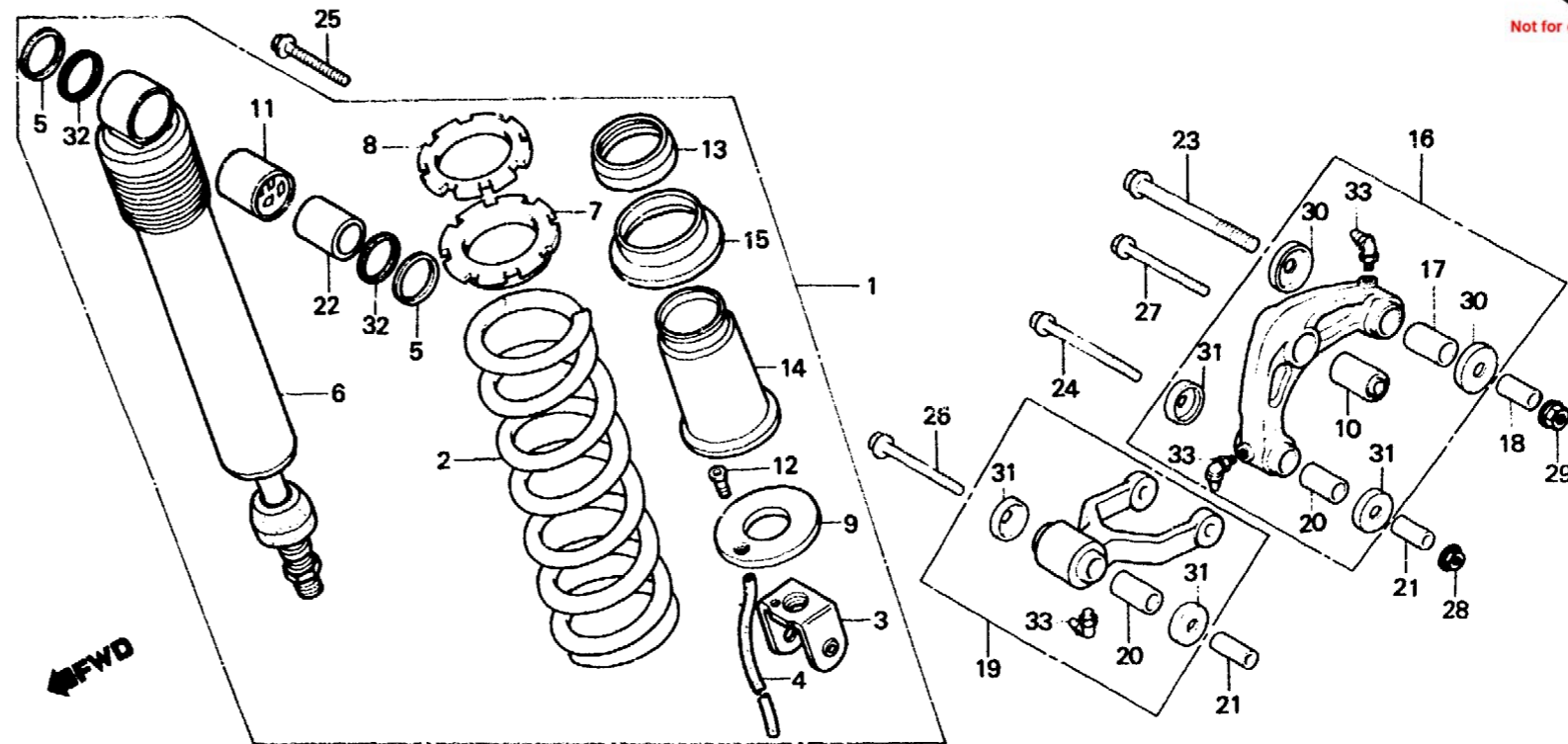
F-20-1

**Rear cushion
(XL500Rc)**

**Amortisseur arrière
(XL500Rc)**

**Hinterer Stoßdämpfer
(XL500Rc)**

**Amortiguador trasero
(XL500Rc)**



BKB7-18

Service item	F.R.T.	Ref. No.	Part No.	Description	Reqd. No.				Serial No.	Area code
					Sz	SA	Ss	Rc		
CUSHION ASSY., RR.	0.6	1	52400-MC4-003	CUSHION ASSY., RR. (SHOWA)					1	
BUSH, DAMPER		2	52401-MC4-003	SPRING, RP. CUSHION					1	
COLLAR, DAMPER UPPER		3	52403-KB7-003	METAL, LOWER					1	
SPRING, RR. CUSHION	0.8	4	52405-KB7-003	PIPE, DRAIN					1	
BUSH, DAMPER UPPER	0.7	5	52406-KB7-003	CAP, DUST SEAL					2	
ARM ASSY., CUSHION	0.4									
ROD ASSY., CUSHION CONNECTING	0.3	6	52410-MC4-003	DAMPER COMP., RR.					1	
		7	52422-MA0-003	ADJUSTER, SPRING					1	
		8	52423-MA0-003	NUT, ADJUSTER					1	
		9	52424-KB7-003	STOPPER, SPRING SEAT					1	
		10	52451-MA0-000	BUSH, DAMPER					1	
		11	52452-KB7-003	BUSH, DAMPER UPPER					1	
		12	52456-KB7-003	JOINT, PIPE					1	
		13	52457-KB7-003	DUST SEAL					1	
		14	52458-KB7-003	GUIDE, SPRING					1	

1981.12.20

E

2-C13

2-C14



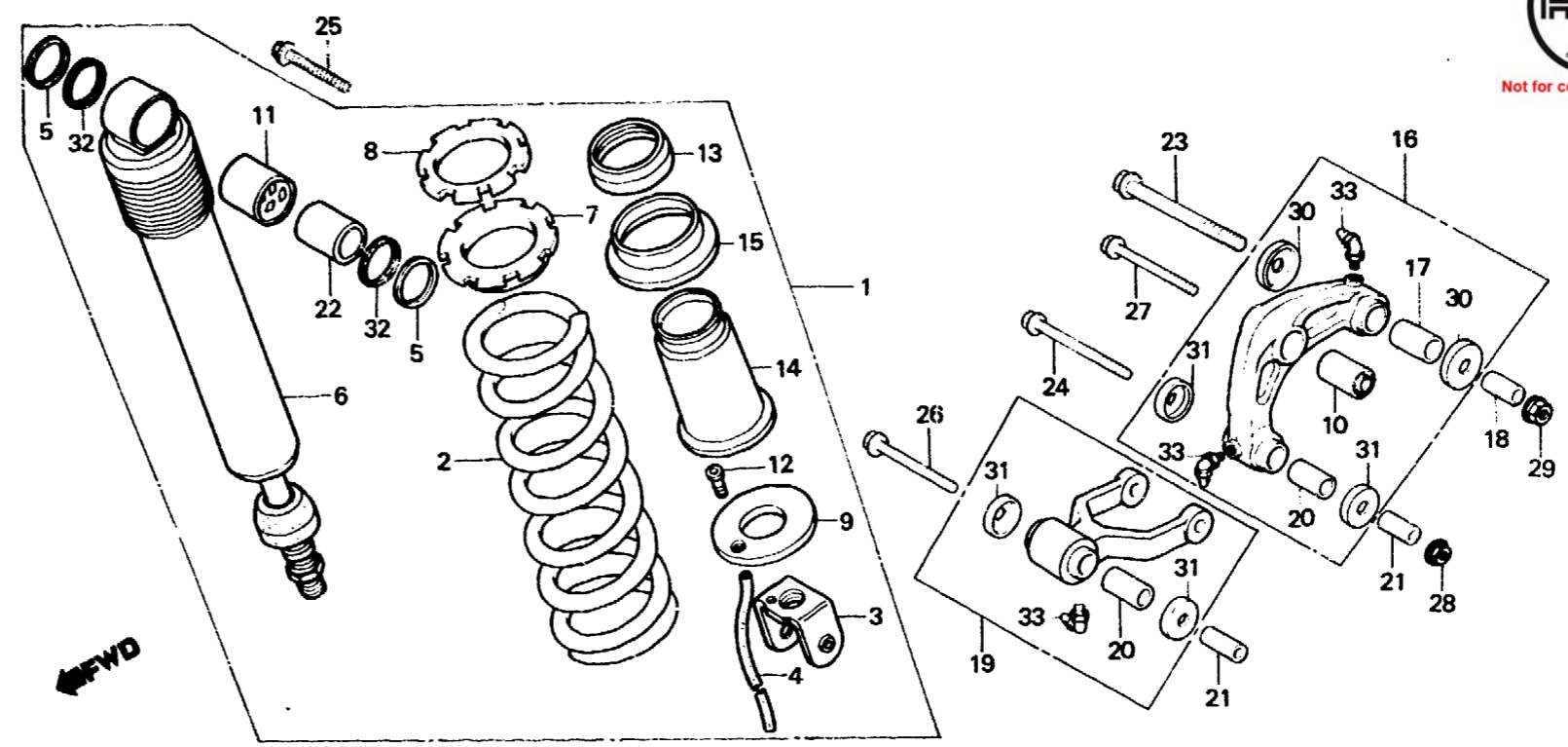
F-20-1

**Rear cushion
(XL500Rc)**

**Amortisseur arrière
(XL500Rc)**

**Hinterer Stoßdämpfer
(XL500Rc)**

**Amortiguador trasero
(XL500Rc)**



BKB7-18

Service item	F.R.T.	Ref. No.	Part No.	Description	Reqd. No.				Serial No.	Area code
					Sz	SA	Sb	Rc		
		15	52459-KB7-003	SEAT C, SPRING				1		
		16	52460-MA0-000	ARM ASSY., CUSHION				1		
		17	52462-MA0-003	BUSH, CUSHION ARM				1		
		18	52463-MA0-000	COLLAR, CUSHION ARM PIVOT				1		
		19	52470-MA0-000	ROD ASSY., CUSHION CONNECTING				1		
		20	52472-MA0-003	BUSH, CUSHION CONNECTING ROD				2		
		21	52473-MA0-000	COLLAR, CONNECTING ROD PIVOT				2		
		22	52486-KB7-003	COLLAR, DAMPER UPPER				1		
		23	90128-MA0-003	BOLT, FLANGE, 12X78				1		
		24	90129-MA0-003	BOLT, FLANGE, 10X69				1		
		25	90150-MA0-000	BOLT, FLANGE, 10X58				1		
		26	90151-MA0-000	BOLT, FLANGE, 10X68				1		

1981.12.20

E

2-C14

2-C15



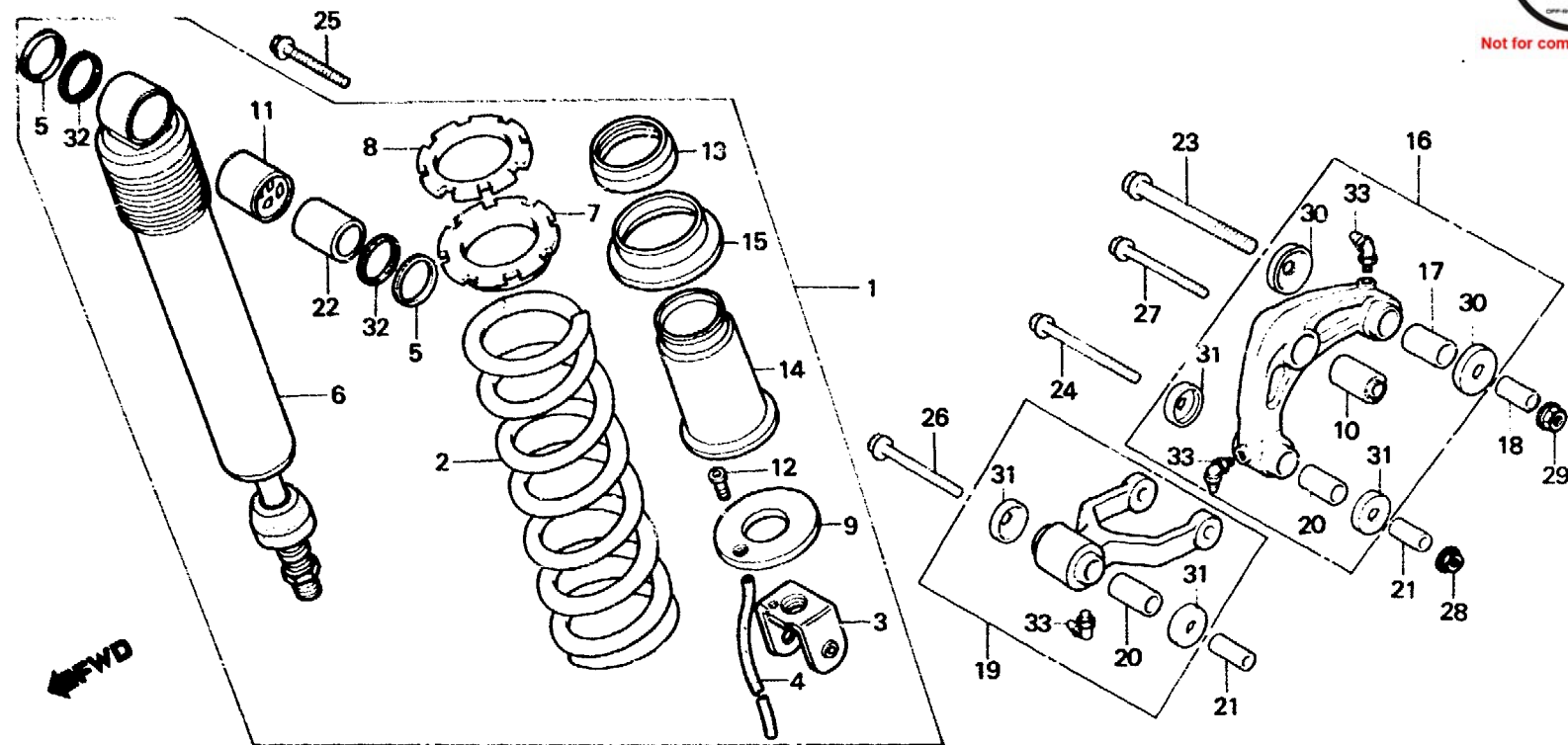
F-20-1

**Rear cushion
(XL500Rc)**

**Amortisseur arrière
(XL500Rc)**

**Hinterer Stoßdämpfer
(XL500Rc)**

**Amortiguador trasero
(XL500Rc)**



BKB7-18

Service item	F.R.T.	Ref. No.	Part No.	Description	Reqd. No.				Serial No.	Area code
					Sz	SA	Se	Rc		
		27	90153-MC4-003	BOLT, FLANGE, 10X43				1		
		28	90304-GA6-003	NUT, AXLE				1		
		29	90306-181-761	NUT, FLANGE, 12MM				1		
		30	91261-MA0-003	SEAL, RR. CUSHION ARM PIVOT				2		
			91261-MA0-005	SEAL, RR. CUSHION ARM PIVOT				2		
		31	91262-MA0-003	SEAL, RR. CUSHION CONNECTING ROD PIVOT				4		
			91262-MA0-005	SEAL, RR. CUSHION CONNECTING ROD PIVOT				4		
		32	91351-KB7-003	DUST SEAL B				2		
		33	96201-80000	NIPPLE, GREASE, B.T6S				3		

1981.12.20

E

2-C15

2-C16

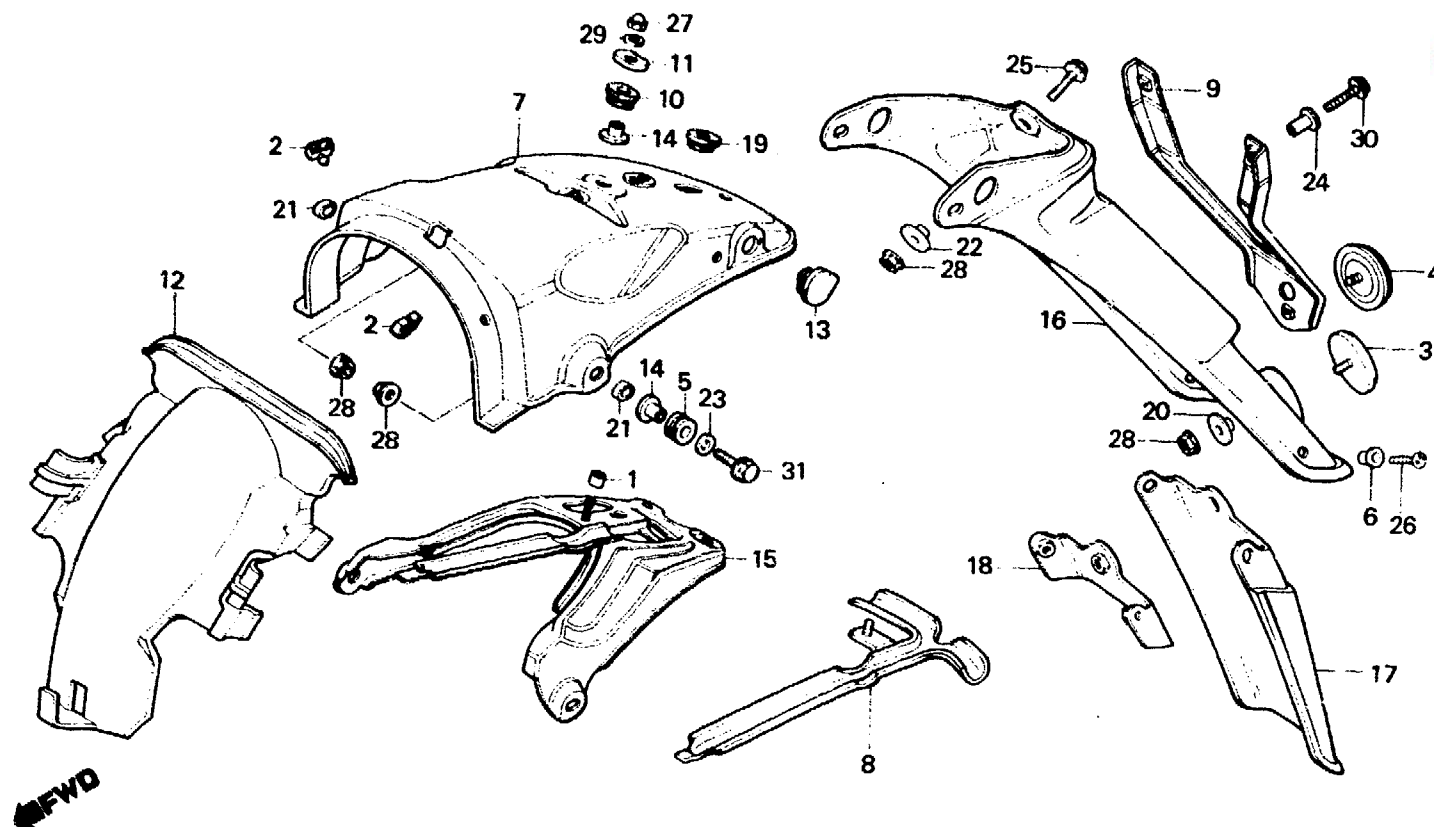
F-21

**Rear fender
(XL500Sz·SA·SB)**

**Garde-boue arrière
(XL500Sz·SA·SB)**

**Hinterer Kotflügel
(XL500Sz·SA·SB)**

**Parafango trasero
(XL500Sz·SA·SB)**



B435-40B

Service item	F.R.T.	Ref. No.	Part No.	Description	Reqd. No.				Serial No.	Area code
					Sz	SA	Sb	Rc		
FENDER ASSY., RR.	0.4	1	11346-371-300	COLLAR, ADJUSTING COVER	1	1	1		CM,DK,DM,SA,U	
FENDER B, RR.	0.1								E,F	
MUDGUARD, RR. FENDER		2	32985-300-000	GROMMET, WIRE CORD	2	2	2		B,CM,DK,DM,E,F,SA,U	
PATCH, RR. FENDER	0.3				1	1	1		ED,SD,1G,2G	
FENDER C, RR.	0.2	3	33741-081-601	REFLECTOR, REFLEX	1	1	1		B,ED,SD,1G,2G	
					1	1			E	
					1	1			F	
		4	33741-148-871	REFLECTOR, RR. REFLEX				1		
		5	61103-357-000	RUBBER, FR. FENDER MOUNTING	2	2	2			
		6	61304-292-000	COLLAR, HEADLIGHT SETTING	3	3	3		B,ED,SD	
									1G,2G	
		7	80100-428-000ZA	FENDER ASSY., RR. *R-23*	1				CM,DK,DM,SA,U	
						1			E	
			80100-428-000ZC	FENDER ASSY., RR. *NH-24*		1			DK,DM,E,SA,U	
			80100-428-000ZD	FENDER ASSY., RR. *R-33*		1			CM	
			80100-428-000ZE	FENDER ASSY., RR. *R-110*			1		CM,DK,DM,E,F,SA,U	

1981.12.20

E

2-C16

2-D1

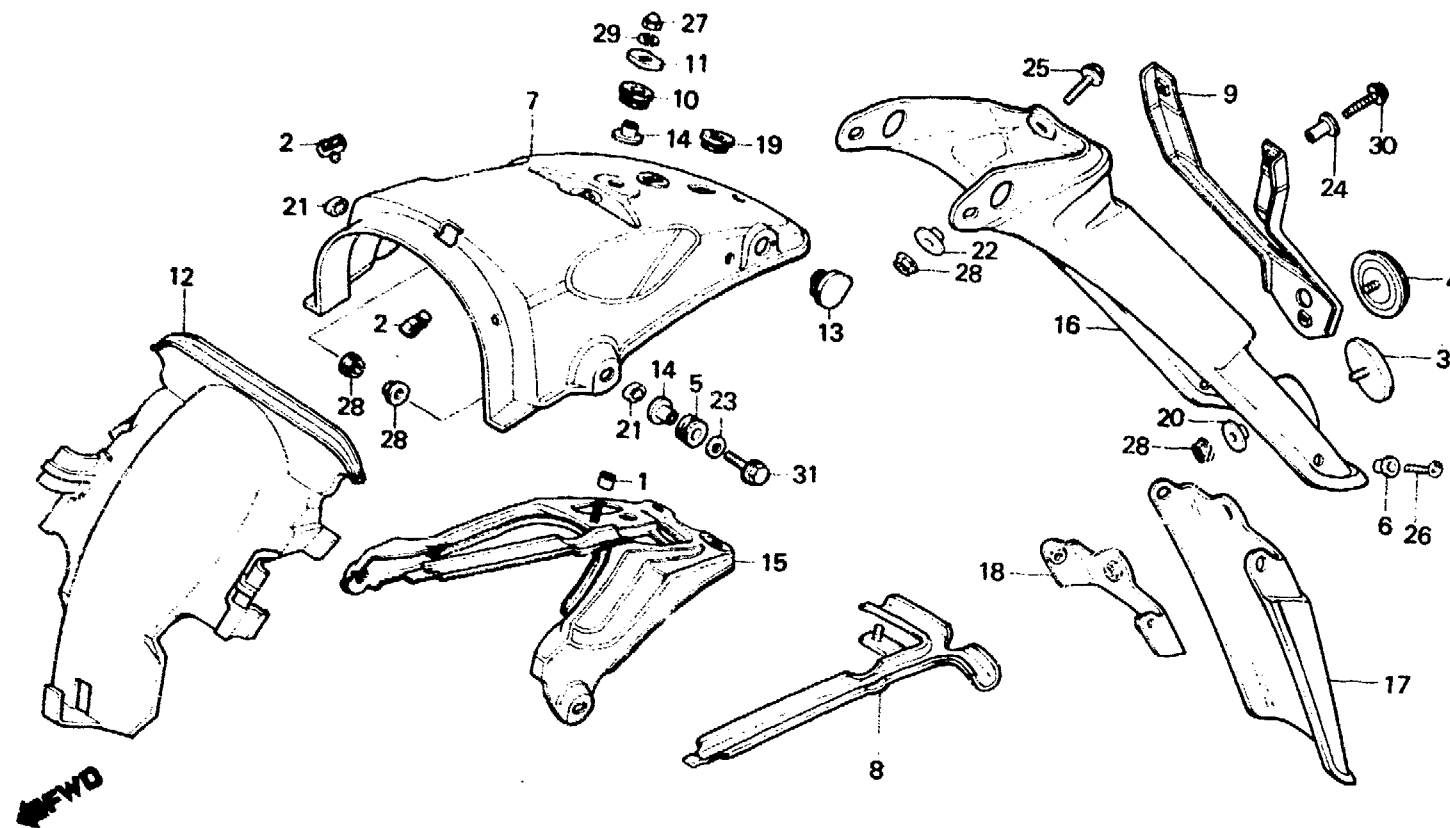
F-21

**Rear fender
(XL500Sz·SA·SB)**

**Garde-boue arrière
(XL500Sz·SA·SB)**

**Hinterer Kotflügel
(XL500Sz·SA·SB)**

**Parafango trasero
(XL500Sz·SA·SB)**



B435-40B

Service item	F.R.T.	Ref. No.	Part No.	Description	Reqd. No.				Serial No.	Area code
					Sz	XL500 SA	SB	Rc		
			80100-428-000ZG	FENDER ASSY., RR. *NH-110M-U*				1		DK,DM,E,F,SA,U
			80100-428-000ZH	FENDER ASSY., RR. *NH-111*				1		DK,DM,E,F,SA,U
			80100-435-600ZA	FENDER, RR. *R-23*	1	1				B,ED,F,SD,1G,2G
					1					E
			80100-435-600ZB	FENDER, RR. *NH-24*	1	1				B,ED,F,SD,1G,2G
					1					E
			80100-435-600ZD	FENDER, RR. *R-110*				1		B,ED,SD,1G,2G
			80100-435-600ZE	FENDER, RR. *NH-110M-U*				1		B,ED,SD,1G,2G
			80100-435-600ZF	FENDER, RR. *NH-111*				1		B,ED,SD,1G,2G
		8	80102-435-610	COVER, RR. FENDER WIRE HARNESS	1	1	1			B,ED,SD,1G,2G
					1					E
					1	1				F
		9	80102-435-870	STAY, REFLECTOR				1		
		10	80103-435-000	RUBBER, RR. FENDER	1	1	1			
		11	80104-435-000	WASHER, RR. FENDER	1	1	1			
		12	80105-429-000	FENDER B, RR.	1	1	1			

1981.12.20

E

2-D1

2-D2

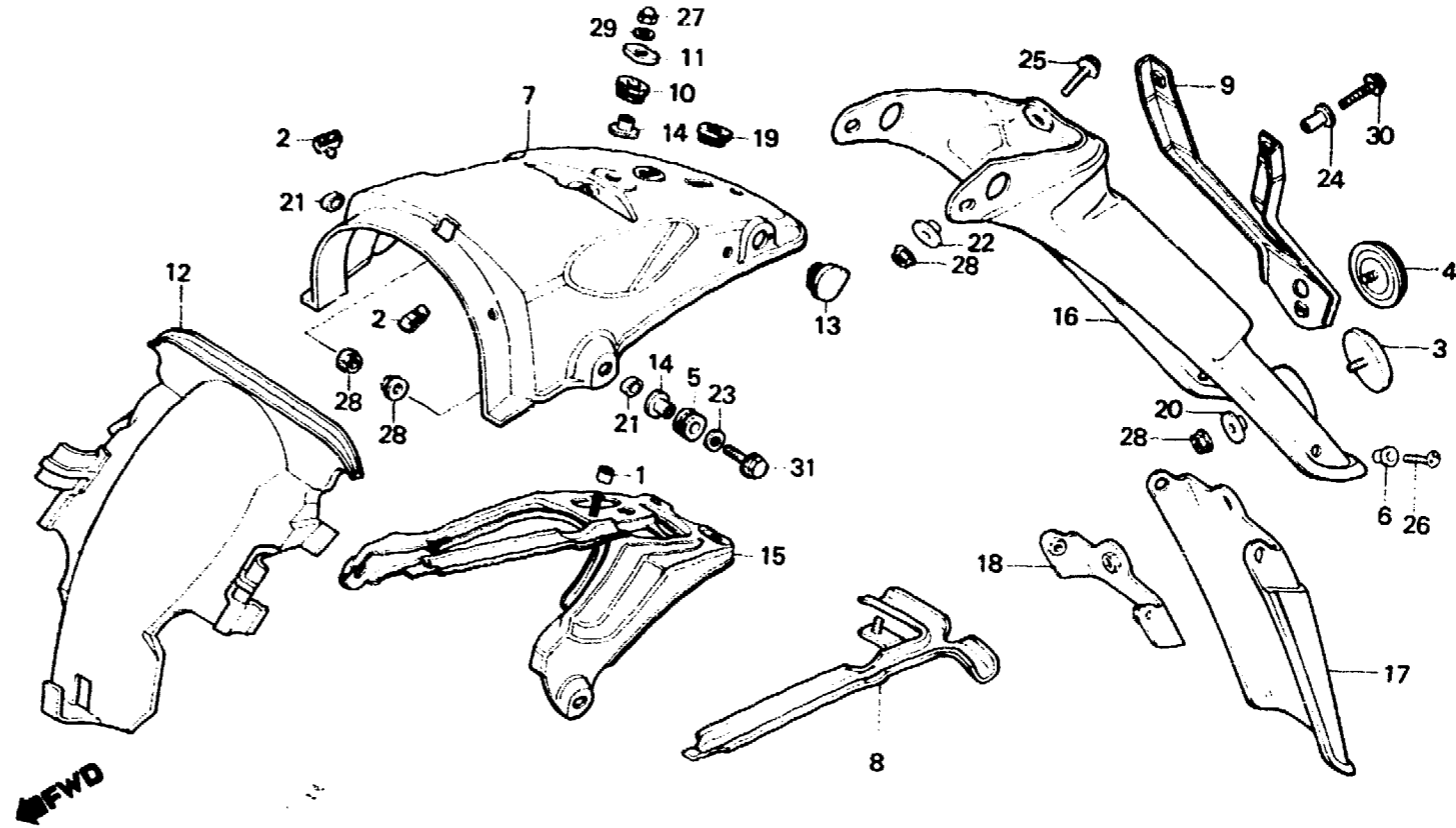
F-21

**Rear fender
(XL500Sz·SA·SB)**

**Garde-boue arrière
(XL500Sz·SA·SB)**

**Hinterer Kotflügel
(XL500Sz·SA·SB)**

**Parafango trasero
(XL500Sz·SA·SB)**



B435-40B

Service item	F.R.T.	Ref. No.	Part No.	Description	Reqd. No.				Serial No.	Area code
					Sz	XL500	SA	Sb		
		13	80108-435-600	PLUG, RR. FENDER	2	2	2			B E F
		14	80109-329-000	COLLAR C, MOUNTING	3	3	3			CM,DK,DM,SA,U
		15	80110-435-000	PATCH, RR. FENDER	1	1	1			E F
		16	80200-428-610	FENDER C, RR.	1					E F
		17	80201-428-640	MUDGUARD, RR. FENDER	1	1	1			B,ED,SD,1G,2G
		18	80202-428-640	PATCH, RR. MUDGUARD	1	1	1			B ED,SD
		19	83551-300-000	GROMMET, AIR CLEANER CASE	1	1	1			B,ED,SD
		20	90401-373-770	WASHER, 6X20	1	1	1			B,E,ED,F,SD,1G,2G B,ED,SD,1G,2G
					1					E
					1	1				F

2-D3

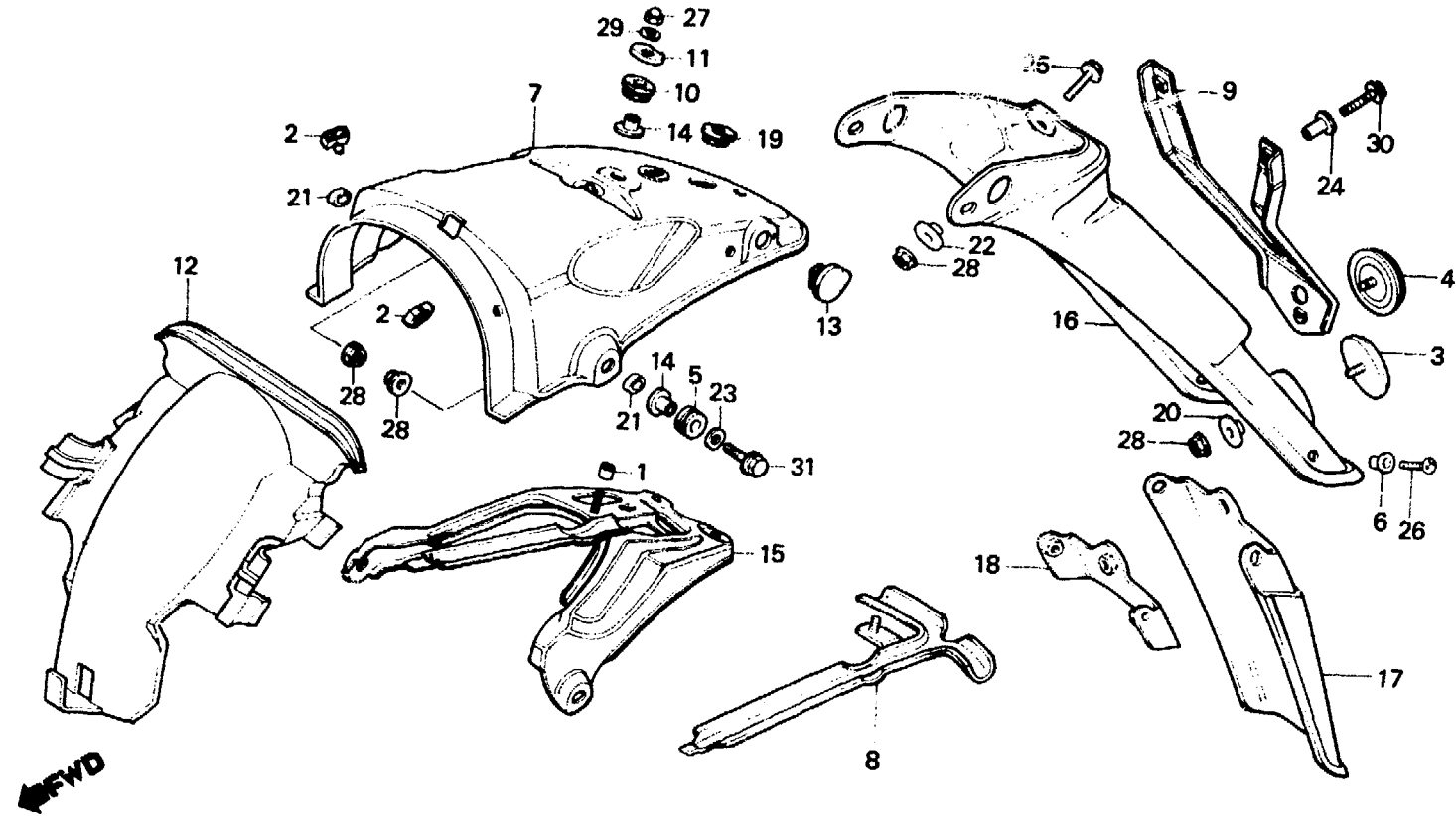
F-21

**Rear fender
(XL500Sz·SA·Sb)**

**Garde-boue arrière
(XL500Sz·SA·Sb)**

**Hinterer Kotflügel
(XL500Sz·SA·Sb)**

**Parafango trasero
(XL500Sz·SA·Sb)**



B435-40B

Service item	F.R.T.	Ref. No.	Part No.	Description	Reqd. No.				Serial No.	Area code
					Sz	XL500	SA	Sb Rc		
		21	90512-122-700	COLLAR, 9X12X4.5	2	2	2		CM,DK,DM,SA,U	
		22	90512-300-000	WASHER, 6X20	3	3	3		E F B,ED,SD,1G,2G	
		23	90546-329-690	WASHER, 6.5X20	3	3			E F ED,SD,1G,2G	
		24	90563-045-000	WASHER, NUMBER BRACKET MOUNTING	2	2	2		F	
		25	93481-06016-00	BOLT-WASHER, 6X16	3	3	3		B,ED,SD,1G,2G	
		26	93500-05016-0A	SCREW, PAN, 5X16	3	3	3		E F B,ED,SD	
		27	94021-06000	NUT, CAP, 6MM	1	1	1			
		28	94050-06000	NUT, FLANGE, 6MM	4	4	4		F B,ED,SD,1G,2G	
		29	94101-06000	WASHER, PLAIN, 6MM	2	2	2		CM,DK,DM,SA,U	
		30	95700-06016-00	BOLT, FLANGE, 6X16	4	2	2		E	
					1	1	1		F	

1981.12.20

E

2-D3

2-D4

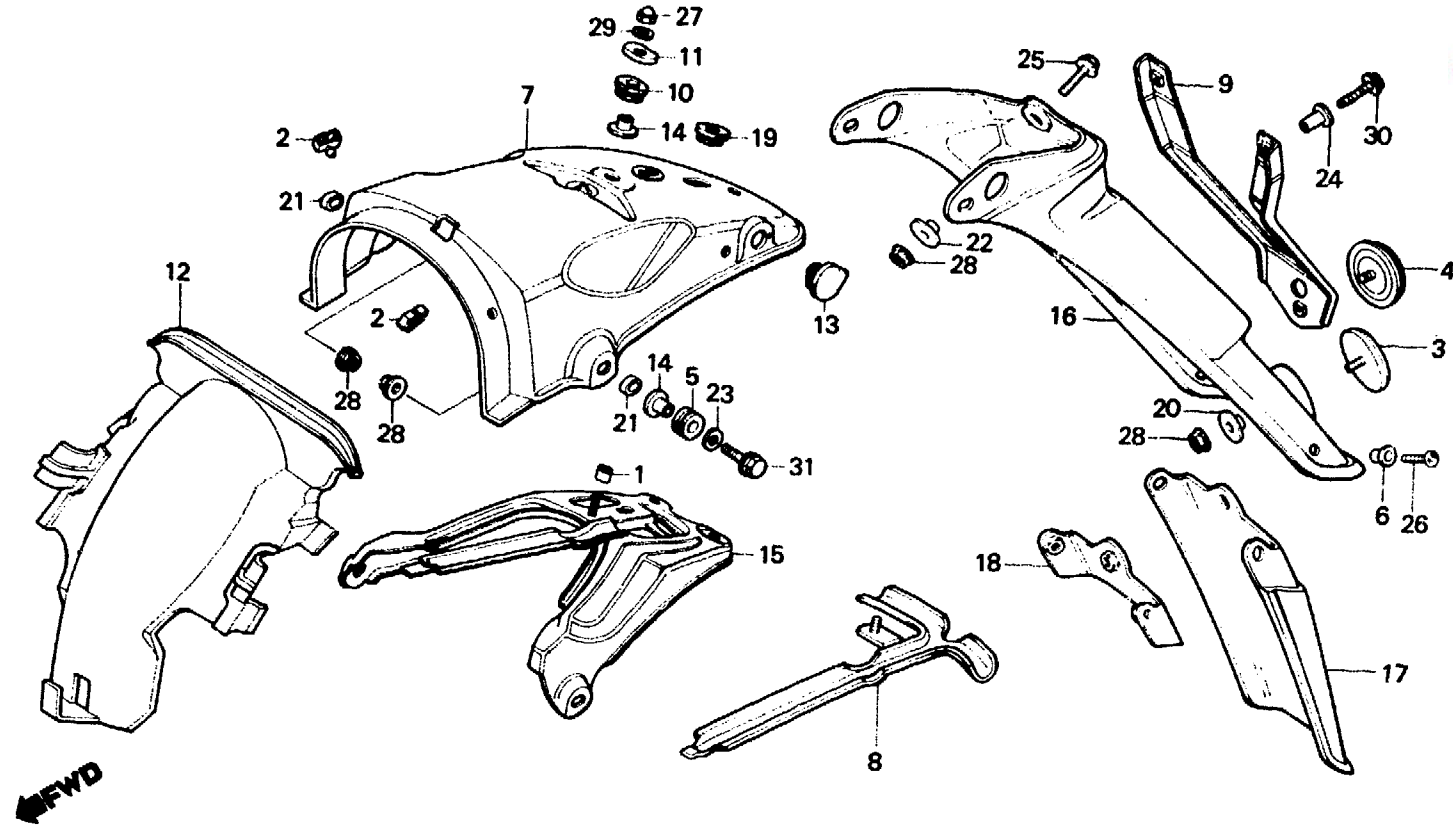
F-21

**Rear fender
(XL500Sz·SA·SB)**

**Garde-boue arrière
(XL500Sz·SA·SB)**

**Hinterer Kotflügel
(XL500Sz·SA·SB)**

**Parafango trasero
(XL500Sz·SA·SB)**



B435-40B

Service item	F.R.T.	Ref. No.	Part No.	Description	Reqd. No.				Serial No.	Area code
					Sz	SA	SB	Rc		
		31	95700-06028-00	BOLT, FLANGE, 6X28	2	2	2		ED,SD,1G,2G	

1981.12.20

E

2-D4

2-D5

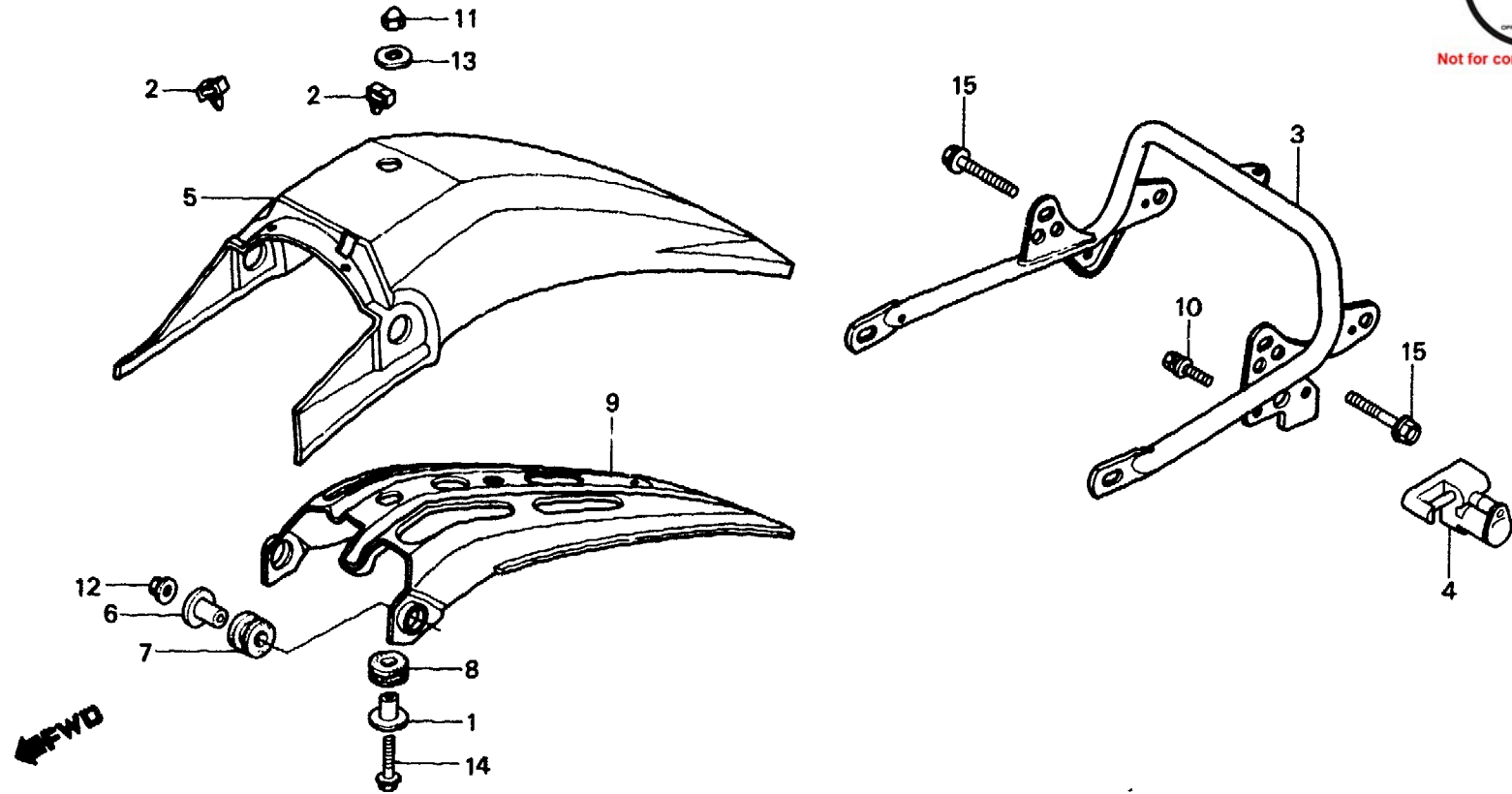
F-21-1

**Rear fender
(XL500Rc-CM)**

**Garde-boue arrière
(XL500Rc-CM)**

**Hinterer Kotflügel
(XL500Rc-CM)**

**Parafango trasero
(XL500Rc-CM)**



BMC4-16

Service item	F.R.T.	Ref. No.	Part No.	Description	Reqd. No.				Serial No.	Area code
					Sz	SA	Se	Rc		
PIPE COMP., TAIL FENDER, RR.	0.3	1	19052-KA4-000	COLLAR, RADIATOR MOUNTING				1		CM
		2	32985-300-000	GROMMET, WIRE CORD				2		CM
PATCH, RR. FENDER HOLDER ASSY., HELMET	0.2	3	50311-MC4-670	PIPE COMP., TAIL				1		CM
		4	50710-382-671	HOLDER ASSY., HELMET				1		CM
		5	80100-KB7-670ZA	FENDER, RR. *R-110*				1		CM
		6	80101-KB7-000	COLLAR, 8X15				2		CM
		7	80102-KB7-000	RUBBER, MOUNTING				2		CM
		8	80105-028-000	CUSHION A, RR. FENDER				1		CM
		9	80110-KB7-000	PATCH, RR. FENDER				1		CM
		10	90107-428-000	BOLT B, SPECIAL, 6MM				2		CM
		11	90201-415-000	NUT, CAP, 6MM				1		CM
		12	94050-08000	NUT, FLANGE, 8MM				2		CM
		13	94101-06000	WASHER, PLAIN, 6MM				1		CM
		14	95700-06020-00	BOLT, FLANGE, 6X20				1		CM
		15	95700-08032-00	BOLT, FLANGE, 8X32				2		CM

1981.12.20

E

2-D5

2-D6



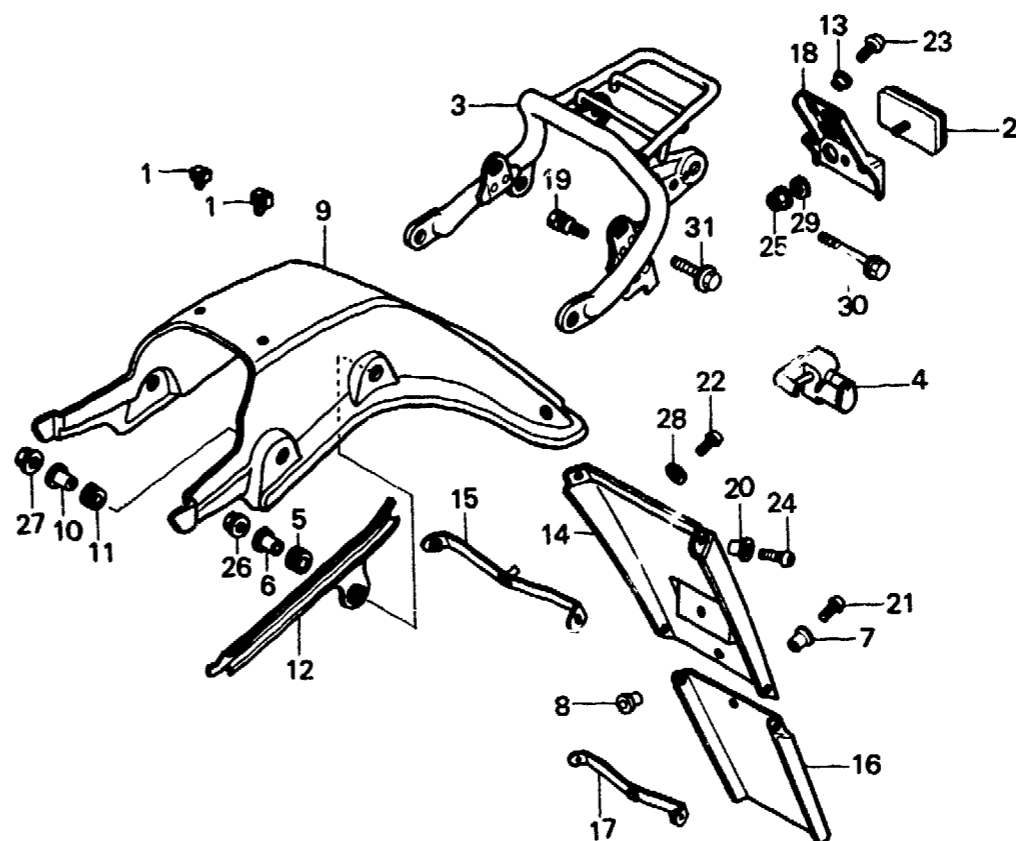
F-21-2

Rear fender (YL500Rc-B,DK,DM,E,ED,F,IT,SA,SD,U,1G,2G)

Garde-boue arrière (XL500Rc-B,DK,DM,E,ED,F,IT,SA,SD,U,1G,2G)

Hinterer Kotflügel (XL500Rc-B,DK,DM,E,ED,F,IT,SA,SD,U,1G,2G)

Parafango trasero (XL500Rc-B,DK,DM,E,ED,F,IT,SA,SD,U,1G,2G)



BMC4-27

Service item	F.R.T.	Ref. No.	Part No.	Description	Reqd. No.				Serial No.	Area code
					Sz	XL500	SA	Se Rc		
PIPE COMP., TAIL	0.3	1	32985-300-000	GROMMET, WIRE CORD				2	B,DK,DM,E,ED,F,IT,SA,SD U,1G,2G	
FENDER, RR.	0.2	2	33741-MC7-611	REFLECTOR, REFLEX				1	B,DK,DM,E,ED,F,IT,SA,SD U,1G,2G	
HOLDER ASSY., HELMET	0.1	3	50311-KB7-600	PIPE COMP., TAIL				1	B,DK,DM,E,ED,F,IT,SA,SD U,1G,2G	
MUDGUARD A, RR.		4	50710-MC4-611	HOLDER ASSY., HELMET				1	ED,SD,1G,2G	
STAY, REFLECTOR		5	50710-382-671	HOLDER ASSY., HELMET				1	B,DK,DM,E,F,IT,SA,U	
		5	61103-430-000	RUBBER, FR. FENDER MOUNTING				2	B,DK,DM,E,ED,F,IT,SA,SD U,1G,2G	
		6	61104-430-000	COLLAR, FENDER MOUNTING				2	B,DK,DM,E,ED,F,IT,SA,SD U,1G,2G	
		7	61304-292-000	COLLAR, HEADLIGHT SETTING				3	ED,SD	
		8	64203-166-610	COLLAR, FAIRING STAY				1	ED,SD,1G,2G	
		9	801A0-KB7-600ZA	FENDER SET, RR. *R-110*				1	B,DK,DM,E,ED,F,IT,SA,SD U,1G,2G	
			80100-KB7-600ZA	FENDER, RR. *NH-24*				1	B,DK,DM,E,ED,F,IT,SA,SD U,1G,2G	

1981.12.20

E

2-D6

2-D7



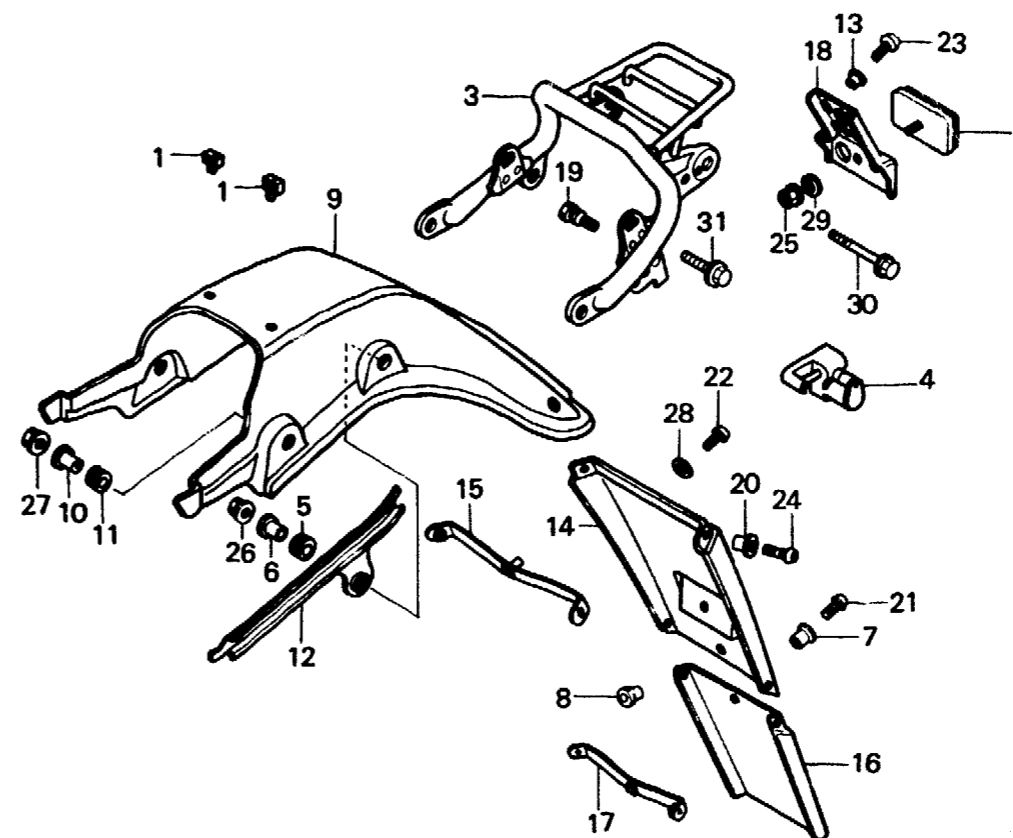
F-21-2

**Rear fender (XL500Rc-B,DK,
DM,E,ED,F,IT,SA,SD,U,1G,2G)**

**Garde-boue arrière (XL500Rc-B,
DK,DM,E,ED,F,IT,SA,SD,U,1G,2G)**

**Hinterer Kotflügel (XL500Rc-B,
DK,DM,E,ED,F,IT,SA,SD,U,1G,2G)**

**Parafango trasero (XL500Rc-B,DK,
DM,E,ED,F,IT,SA,SD,U,1G,2G)**



BMC4-27

Service item	F.R.T.	Ref. No.	Part No.	Description	Reqd. No.				Serial No.	Area code
					Sz	SA	Ss	Rc		
			80100-KB7-600ZB	FENDER, RR. *NH-104M-U*				1		B,DK,DM,E,ED,F,IT,SA,SD U,1G,2G
10			80101-KB7-600	COLLAR, 8X12				2		B,DK,DM,E,ED,F,IT,SA,SD U,1G,2G
11			80102-KB7-600	RUBBER, MOUNTING				2		B,DK,DM,E,ED,F,IT,SA,SD U,1G,2G
12			80106-KB7-600	COVER, RR. FENDER WIRE HARNESS				1		B,DK,DM,E,ED,F,IT,SA,SD U,1G,2G
13			80112-443-850	COLLAR				2		B,DK,DM,F,IT,U
14			80200-KB7-610	MUDGUARD A, RR.				1		ED,SD,1G,2G
15			80201-KB7-610	PLATE A, RR. FENDER				1		ED,SD,1G,2G
16			80300-KB7-640	MUDGUARD B, RR.				1		ED,SD
17			80301-KB7-640	PLATE B, RR. FENDER				1		ED,SD
18			80400-KB7-620	STAY, REFLECTOR				1		B,DK,DM,F,IT,U
19			90107-428-000	BOLT B, SPECIAL, 6MM				2		B,DK,DM,E,ED,F,IT,SA,SD U,1G,2G

1981.12.20

E

2-D7

2-D8



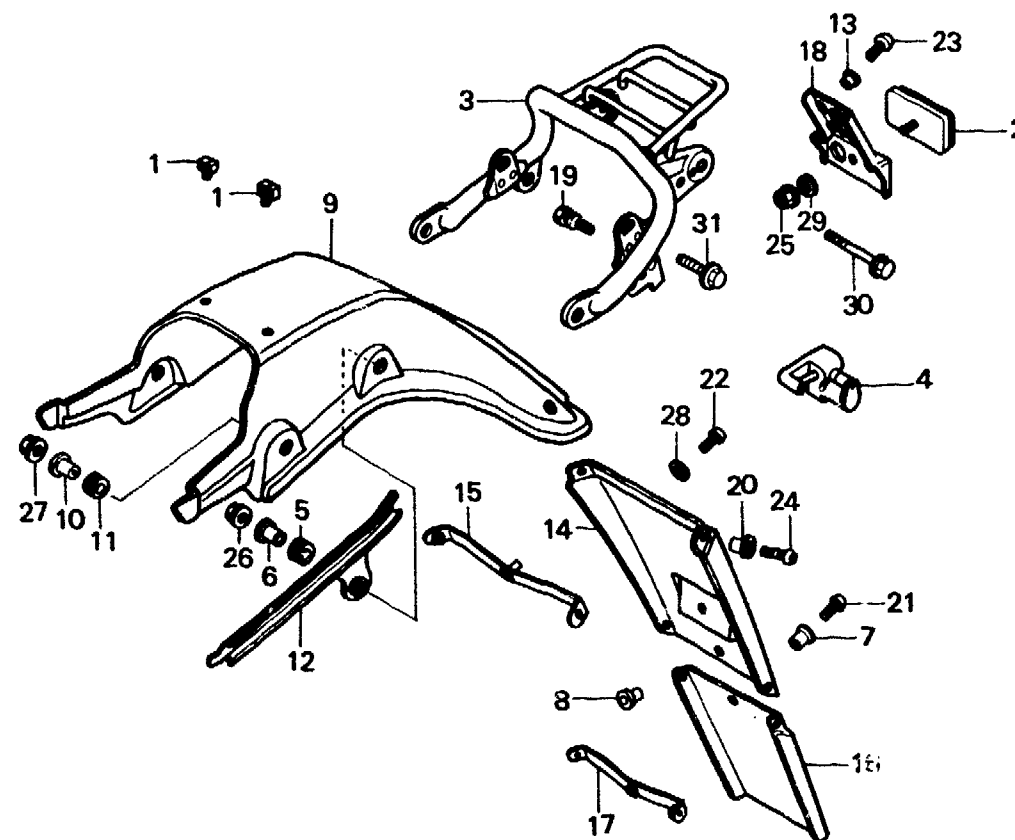
F-21-2

Rear fender (XL500Rc-B,DK,DM,E,ED,F,IT,SA,SD,U,1G,2G)

Garde-boue arrière (XL500Rc-B,DK,DM,E,ED,F,IT,SA,SD,U,1G,2G)

Hinterer Kotflügel (XL500Rc-B,DK,DM,E,ED,F,IT,SA,SD,U,1G,2G)

Parafango trasero (XL500Rc-B,DK,DM,E,ED,F,IT,SA,SD,U,1G,2G)



BMC4-27

Service item	F.R.T.	Ref. No.	Part No.	Description	Reqd. No.				Serial No.	Area code
					Sz	XL500	SA	Sa		
		20	90121-102-000	COLLAR B, AIR CLEANER CASE SETTING					2	ED,SD,1G,2G
		21	93500-05016-0A	SCREW, PAN, 5X16					3	ED,SD
		22	93500-06010	SCREW, PAN, 6X10					1	ED,SD,1G,2G
		23	93500-06012	SCREW, PAN, 6X12					2	B,DK,DM,F,IT,U
		24	93500-06014	SCREW, PAN, 6X14					2	ED,SD,1G,2G
		25	94050-05000	NUT, FLANGE, 5MM					1	B,DK,DM,E,ED,F,IT,SA,SD U,1G,2G
		26	94050-06000	NUT, FLANGE, 6MM					2	B,DK,DM,E,ED,F,IT,SA,SD U,1G,2G
		27	94050-08000	NUT, FLANGE, 8MM					2	B,DK,DM,E,ED,F,IT,SA,SD U,1G,2G
		28	94101-06000	WASHER, PLAIN, 6MM					1	ED,SD,1G,2G
		29	94111-05000	WASHER, SPRING, 5MM					1	B,DK,DM,E,ED,F,IT,SA,SD U,1G,2G
		30	95700-06040-00	BOLT, FLANGE, 6X40					2	B,DK,DM,E,ED,F,IT,SA,SD U

2-D9

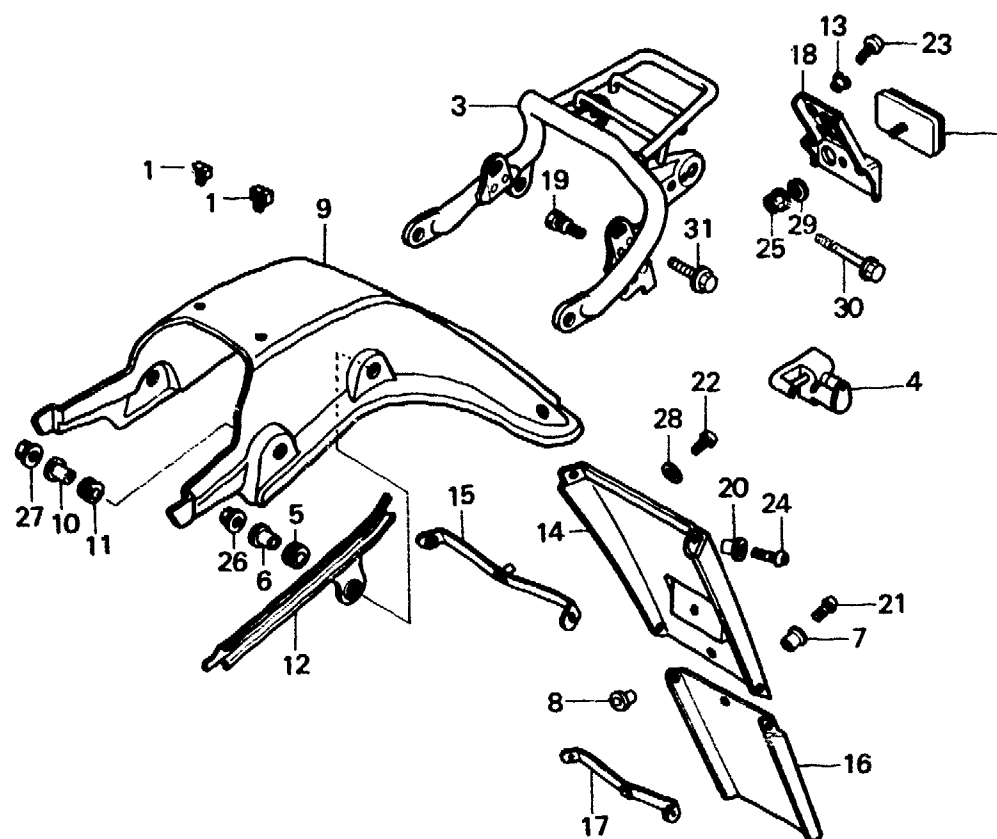
F-21-2

**Rear fender (XL500Rc-B,DK,
DM,E,ED,F,IT,SA,SD,U,1G,2G)**

**Garde-boue arrière (XL500Rc-B,
DK,DM,E,ED,F,IT,SA,SD,U,1G,2G)**

**Hinterer Kotflügel (XL500Rc-B,
DK,DM,E,ED,F,IT,SA,SD,U,1G,2G)**

**Parafango trasero (XL500Rc-B,DK,
DM,E,ED,F,IT,SA,SD,U,1G,2G)**



BMC4-27

Service item	F.R.T.	Ref. No.	Part No.	Description	Reqd. No.				Serial No.	Area code
					Sz	SA	Se	Rc		
		31	95700-08032-00	BOLT, FLANGE, 8X32				2		B,DK,DM,E,ED,F,IT,SA,SD U,1G,2G

1981.12.20

E

2-D9