

M 11

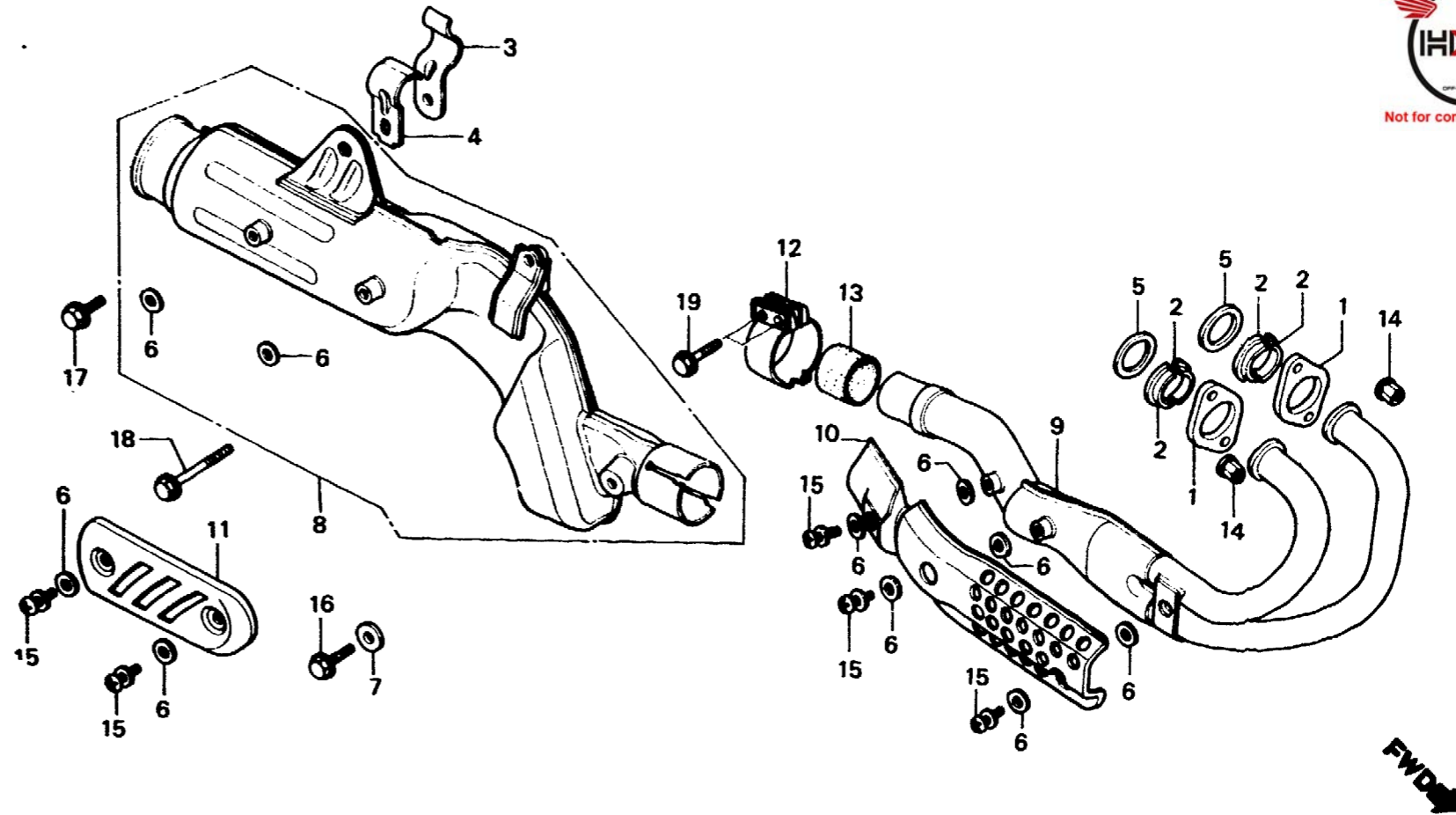
F-16

**Exhaust muffler
(XL500Sz·SA·SB·CM)**

**Pot d'échappement
(XL500Sz·SA·SB·CM)**

**Auspufftopf
(XL500Sz·SA·SB·CM)**

**Silenciador
(XL500Sz·SA·SB·CM)**



B435-37

Service item	F.R.T.	Ref. No.	Part No.	Description	Reqd. No. XL500				Serial No.	Area code
					Sz	SA	Sb	Rc		
GASKET, EX. PIPE (ONE OR ALL)	0.2	1	18231-429-000	JOINT, EX. PIPE	2	2			B,DK,DM,E,ED,F,SA,SD,U 1G,2G	
PIPE, EX. MUFFLER COMP.	0.4	2	18233-435-000	COLLAR, EX. PIPE JOINT	2	2	2		CM	
PROTECTOR COMP., EX. PIPE PROTECTOR, MUFFLER	0.1	3	18283-429-000	BAND A, MUFFLER	4	4	4		B,DK,DM,E,ED,F,SA,SD,U 1G,2G	
		4	18284-429-000	BAND B, MUFFLER	1	1	1		CM	
		5	18291-216-000	GASKET, EX. PIPE	1	1	1		B,DK,DM,E,ED,F,SA,SD,U 1G,2G	
		6	18292-415-000	PACKING, PROTECTOR	2	2	2		CM	
					10	10			B,DK,DM,E,ED,F,SA,SD,U 1G,2G	
					10	10	10		CM	

1981.12.20

E

M11

M 12

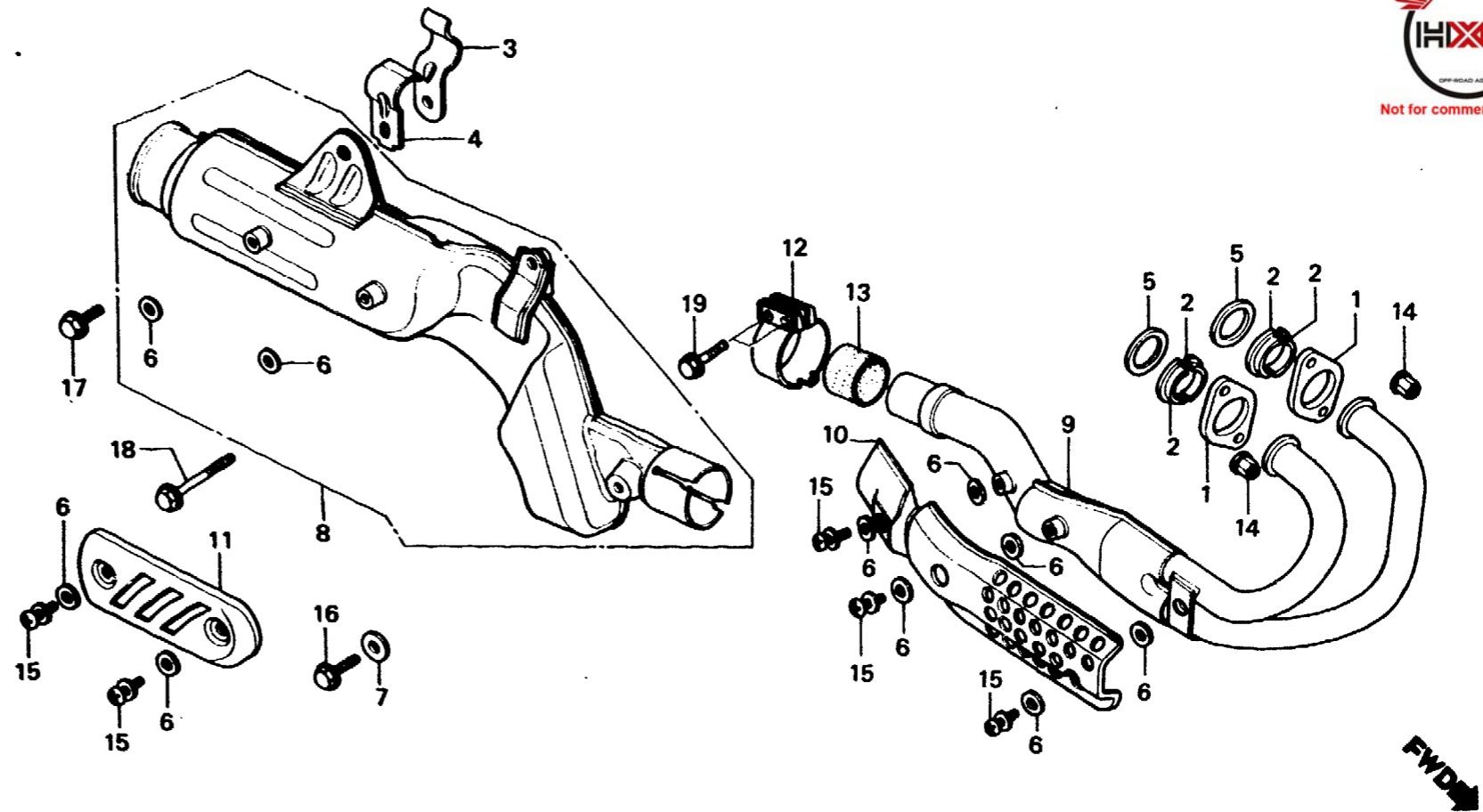
F-16

**Exhaust muffler
(XL500Sz·SA·SB·CM)**

**Pot d'échappement
(XL500Sz·SA·SB·CM)**

**Auspufftopf
(XL500Sz·SA·SB·CM)**

**Silenciador
(XL500Sz·SA·SB·CM)**



B435-37

Service item	F.R.T.	Ref. No.	Part No.	Description	Reqd. No.				Serial No.	Area code
					Sz	XL500	SA	SB		
		7	18295-429-000	PACKING B, MUFFLER	1	1				B,DK,DM,E,ED,F,SA,SD,U 1G,2G CM
		8	18310-435-000	MUFFLER COMP.	1	1	1			B,DK,DM,E,ED,F,SA,SD,U CM
			18310-435-610	MUFFLER COMP.	1	1				1G,2G
		9	18320-435-000	PIPE, EX.	1	1				B,DK,DM,E,ED,F,SA,SD,U CM
			18320-435-610	PIPE, EX.	1	1				1G
			18320-435-710	PIPE, EX.	1	1				2G
		10	18325-435-000	PROTECTOR COMP., EX. PIPE	1	1				B,DK,DM,E,ED,F,SA,SD,U 1G,2G CM
					1	1	1			
		11	18355-435-000	PROTECTOR, MUFFLER	1	1				B,DK,DM,E,ED,F,SA,SD,U 1G,2G CM
		12	18371-429-000	BAND, MUFFLER	1	1	1			B,DK,DM,E,ED,F,SA,SD,U 1G,2G CM
					1	1	1			

1981.12.20

E

M12

M 13

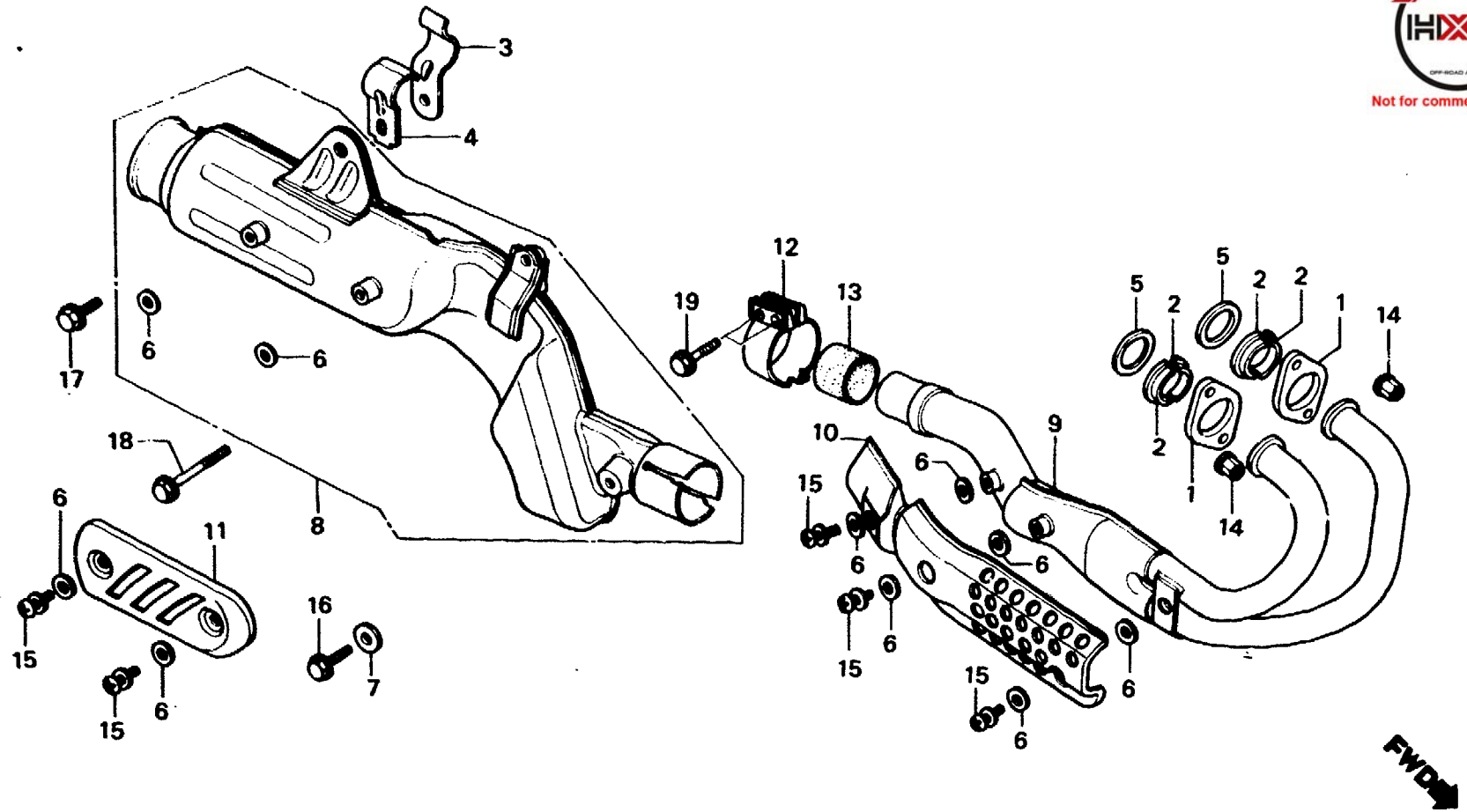
F-16

**Exhaust muffler
(XL500Sz·SA·SB·CM)**

**Pot d'échappement
(XL500Sz·SA·SB·CM)**

**Auspufftopf
(XL500Sz·SA·SB·CM)**

**Silenciador
(XL500Sz·SA·SB·CM)**



B435-37

Service item	F.R.T.	Ref. No.	Part No.	Description	Reqd. No.				Serial No.	Area code
					Sz	SA	SB	Rc		
		13	18391-429-000	PACKING, MUFFLER	1	1				B,DK,DM,E,ED,F,SA,SD,U 1G,2G CM
		14	90282-329-000	NUT, 6X15	4	4	1			B,DK,DM,E,ED,F,SA,SD,U 1G,2G CM
		15	93891-06012-00	SCREW-WASHER, 6X12	4	4	4			B,DK,DM,E,ED,F,SA,SD,U 1G,2G CM
		16	95700-08016-00	BOLT, FLANGE, 8X16	5	5	5			B,DK,DM,E,ED,F,SA,SD,U 1G,2G CM
		17	95700-08020-00	BOLT, FLANGE, 8X20	1	1	1			B,DK,DM,E,ED,F,SA,SD,U 1G,2G CM
		18	95700-08040-00	BOLT, FLANGE, 8X40	1	1	1			B,DK,DM,E,ED,F,SA,SD,U 1G,2G CM
					1	1	1			

1981.12.20

E

M13

M 14

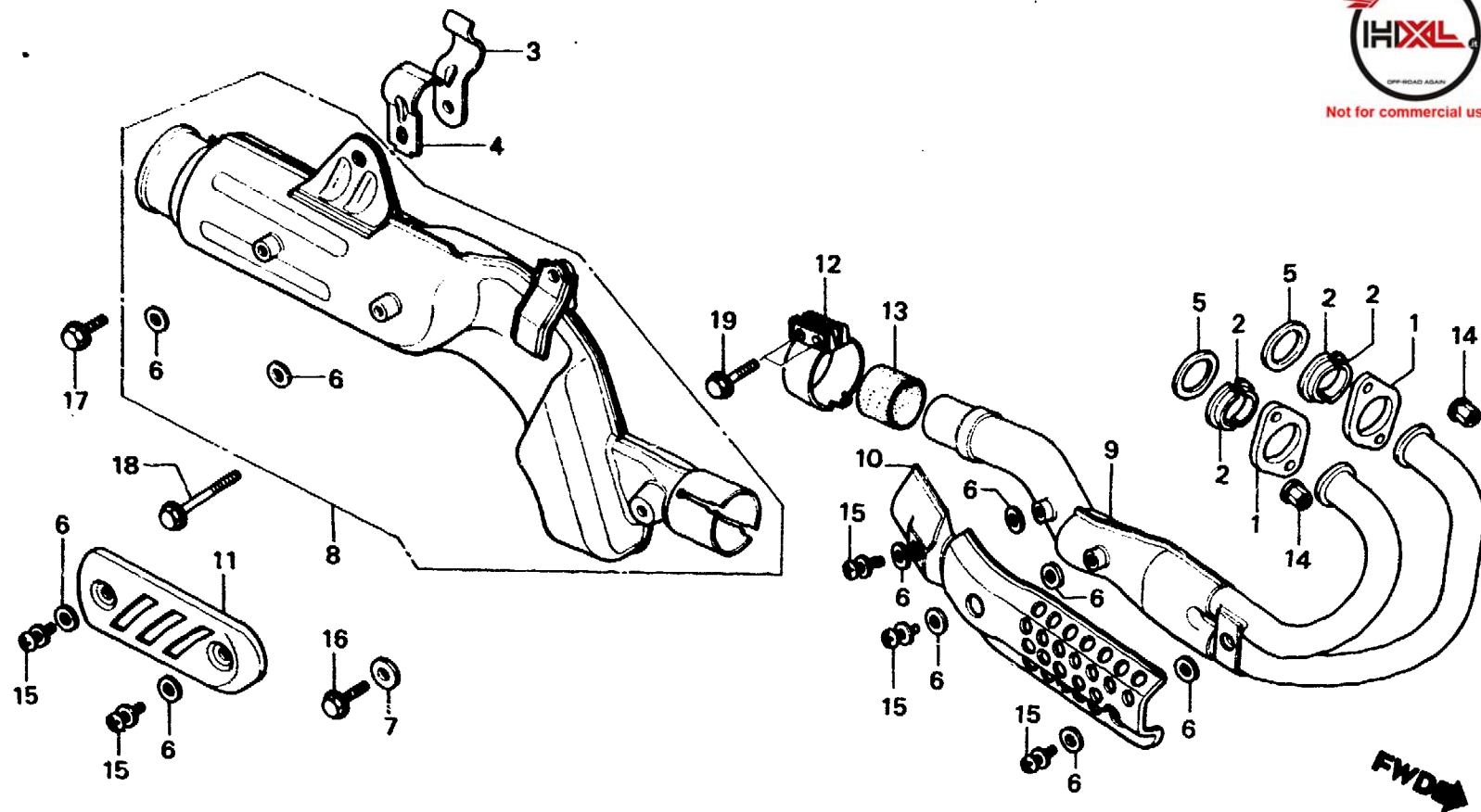
F-16

**Exhaust muffler
(XL500Sz·SA·SB·CM)**

**Pot d'échappement
(XL500Sz·SA·SB·CM)**

**Auspufftopf
(XL500Sz·SA·SB·CM)**

**Silenciador
(XL500Sz·SA·SB·CM)**



Not for commercial use

B435-37

Service item	F.R.T.	Ref. No.	Part No.	Description	Reqd. No.				Serial No.	Area code
					Sz	XL500	SA	SA		
		19	95728-08035-00	BOLT, FLANGE, 8X35	2	2				B,DK,DM,E,ED,F,SA,SD,U 1G,2G CM

1981.12.20

E

M14



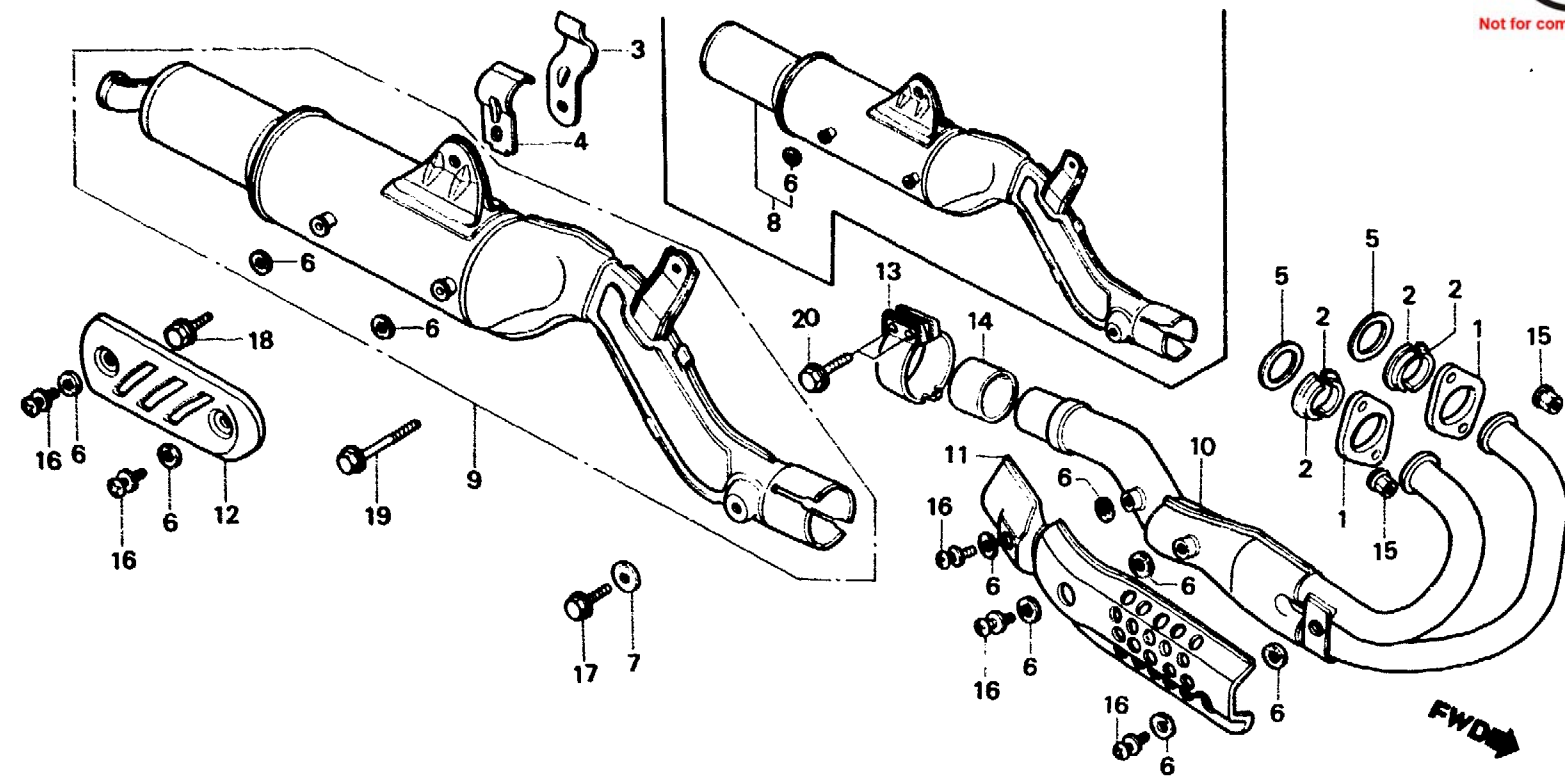
F-16-1

Exhaust muffler (XL500S_B-B,
DK,DM,E,ED,F,SA,SD,U,1G,2G)

Pot d'échappement (XL500S_B-B,
DK,DM,E,ED,F,SA,SD,U,1G,2G)

Auspufftopf (XL500S_B-B,
DK,DM,E,ED,F,SA,SD,U,1G,2G)

Silenciador (XL500S_B-B,
DK,DM,E,ED,F,SA,SD,U,1G,2G)



B435-68

Service item	F.R.T.	Ref. No.	Part No.	Description	Reqd. No.				Serial No.	Area code
					Sz	SA	SA	Rc		
GASKET, EX. PIPE (ONE OR ALL)	0.2	1	18231-429-000	JOINT, EX. PIPE				2	B,DK,DM,E,ED,F,SA,SD,U 1G,2G	
MUFFLER COMP. PIPE, EX.		2	18233-435-000	COLLAR, EX. PIPE JOINT				4	B,DK,DM,E,ED,F,SA,SD,U 1G,2G	
PROTECTOR COMP., EX. PIPE	0.1	3	18283-429-000	BAND A, MUFFLER				1	B,DK,DM,E,ED,F,SA,SD,U 1G,2G	
		4	18284-429-000	BAND B, MUFFLER				1	B,DK,DM,E,ED,F,SA,SD,U 1G,2G	
		5	18291-216-000	GASKET, EX. PIPE				2	B,DK,DM,E,ED,F,SA,SD,U 1G,2G	
		6	18292-415-000	PACKING, PROTECTOR				6	B,DK,DM,E,ED,F,SA,SD,U 1G,2G	
		7	18295-429-000	PACKING B, MUFFLER				1	B,DK,DM,E,ED,F,SA,SD,U 1G,2G	
		8	18310-435-760	MUFFLER COMP.				1	B,DK,DM,E,ED,F,SA,SD,U 1G,2G	
		9	18310-435-770	MUFFLER COMP.				1	B,DK,DM,E,ED,F,SA,SD,U 1G,2G	
		10	18320-435-000	PIPE, EX.				1	B,CM,DK,DM,E,ED,F,SA,SD U	
			18320-435-610	PIPE, EX.				1	1G	
			18320-435-710	PIPE, EX.				1	2G	

M 16



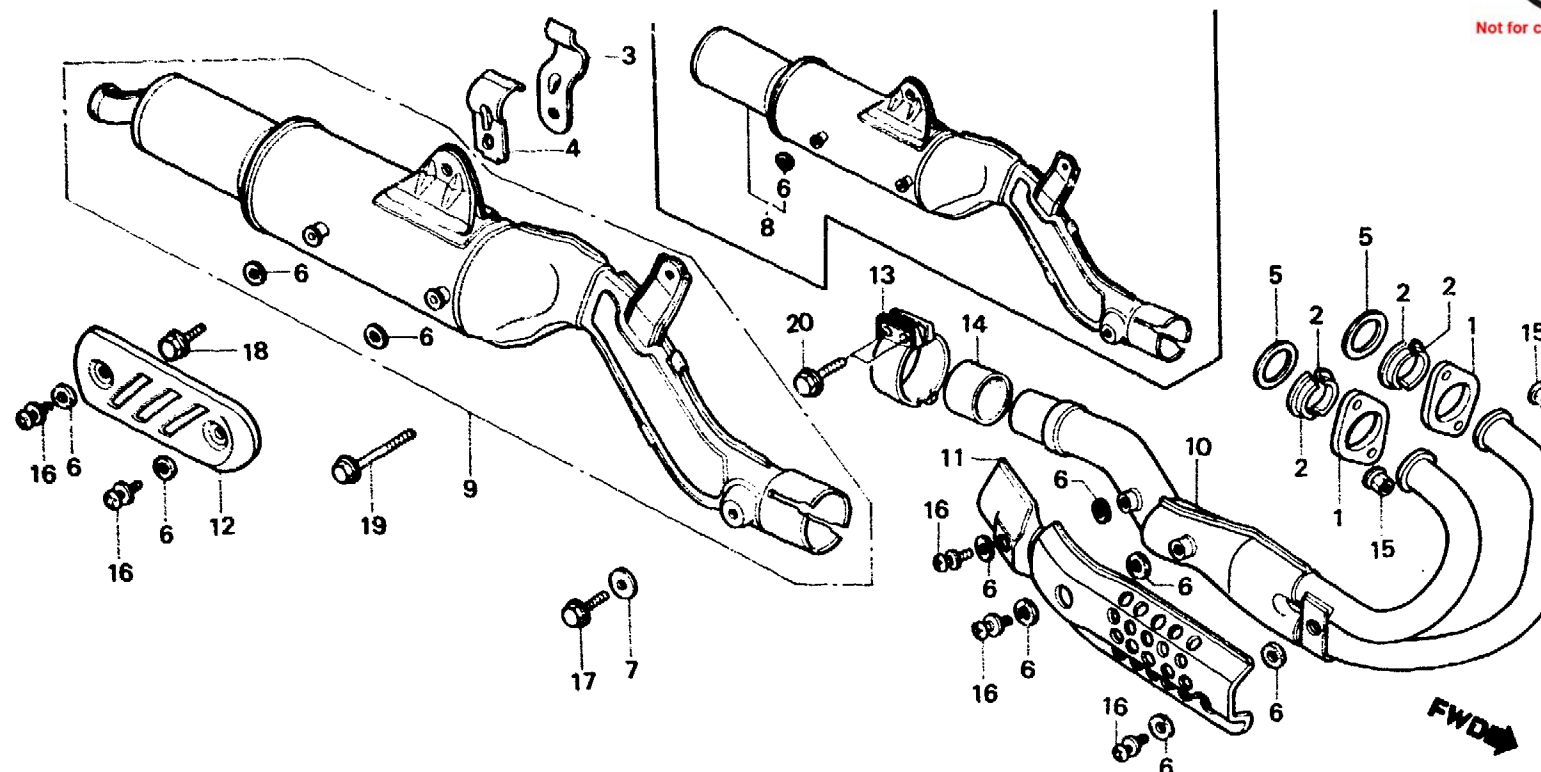
F-16-1

**Exhaust muffler (XL500S_B-B,
DK,DM,E,ED,F,SA,SD,U,1G,2G)**

**Pot d'échappement (XL500S_B-B,
DK,DM,E,ED,F,SA,SD,U,1G,2G)**

**Auspufftopf (XL500S_B-B,
DK,DM,E,ED,F,SA,SD,U,1G,2G)**

**Silenciador (XL500S_B-B,
DK,DM,E,ED,F,SA,SD,U,1G,2G)**



B435-68

Service item	F.R.T.	Ref. No.	Part No.	Description	Reqd. No.				Serial No.	Area code
					Sz	SA	Se	Rc		
		11	18325-435-000	PROTECTOR COMP., EX. PIPE				1		B,DK,DM,E,ED,F,SA,SD,U 1G,2G
		12	18355-435-000	PROTECTOR, MUFFLER				1		B,DK,DM,E,ED,F,SA,SD,U 1G,2G
		13	18371-429-000	BAND, MUFFLER				1		B,DK,DM,E,ED,F,SA,SD,U 1G,2G
		14	18391-429-000	PACKING, MUFFLER				1		B,DK,DM,E,ED,F,SA,SD,U 1G,2G
		15	90282-329-000	NUT, 6X15				4		B,DK,DM,E,ED,F,SA,SD,U 1G,2G
		16	93891-06012-00	SCREW-WASHER, 6X12				5		B,DK,DM,E,ED,F,SA,SD,U 1G,2G
		17	95700-08016-00	BOLT, FLANGE, 8X16				1		B,DK,DM,E,ED,F,SA,SD,U 1G,2G
		18	95700-08020-00	BOLT, FLANGE, 8X20				1		B,DK,DM,E,ED,F,SA,SD,U 1G,2G
		19	95700-08040-00	BOLT, FLANGE, 8X40				1		B,DK,DM,E,ED,F,SA,SD,U 1G,2G
		20	95728-08035-00	BOLT, FLANGE, 8X35				2		B,DK,DM,E,ED,F,SA,SD,U 1G,2G

1981.12.20

E

M16

N 1

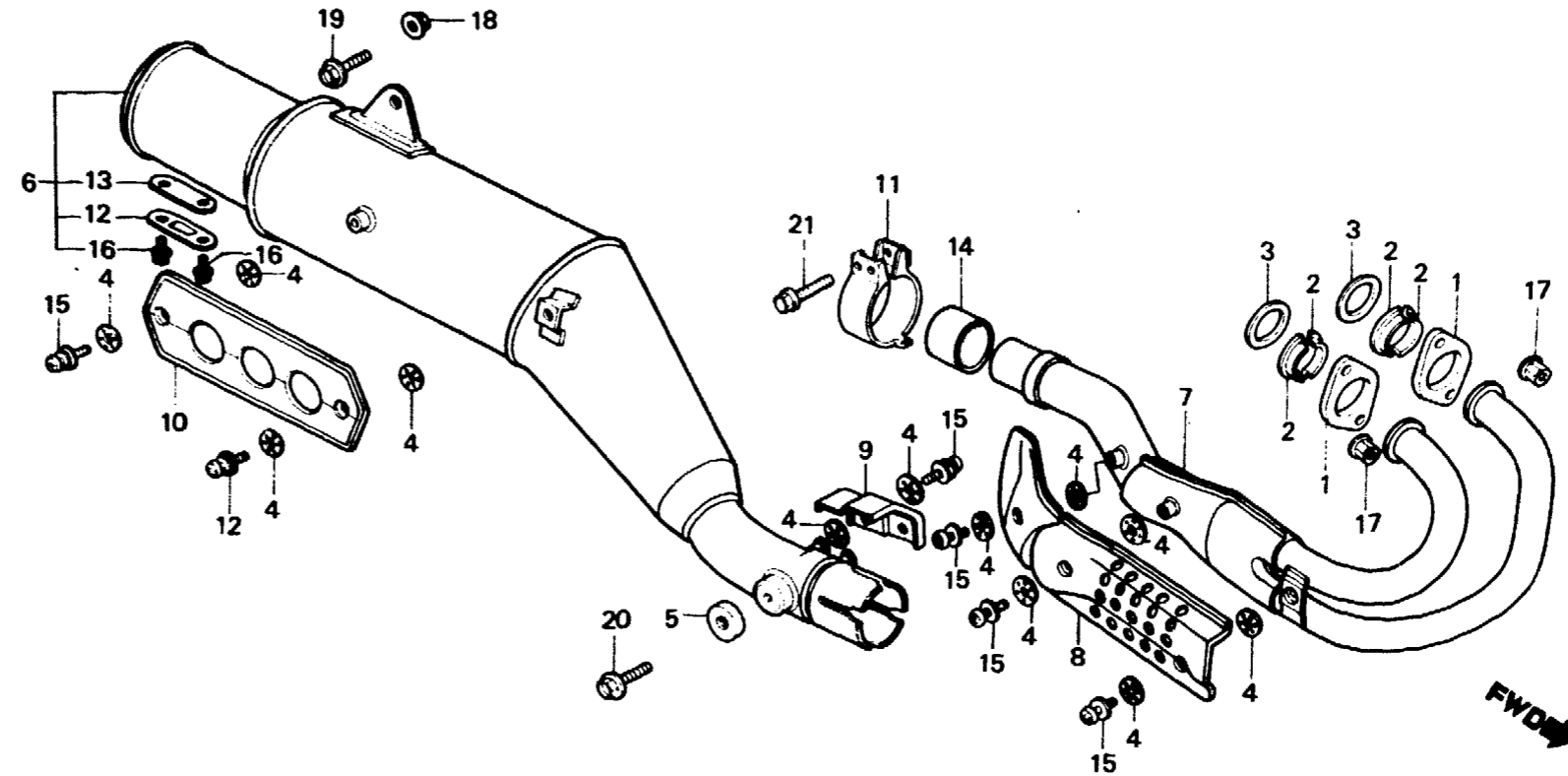
F-16-2

**Exhaust muffler
(XL500Rc)**

**Pot d'échappement
(XL500Rc)**

**Auspufftopf
(XL500Rc)**

**Silenciador
(XL500Rc)**



BMC4-13

Service item	F.R.T.	Ref. No.	Part No.	Description	Reqd. No.				Serial No.	Area code
					Sz	SA	SA	Rc		
GASKET, EX. PIPE (ONE OR ALL)	0.2	1	18231-429-000	JOINT, EX. PIPE				2		
MUFFLER COMP., EX.		2	18233-435-000	COLLAR, EX. PIPE JOINT				4		
PIPE COMP., EX.		3	18291-216-000	GASKET, EX. PIPE				2		
PROTECTOR COMP., EX. PIPE	0.1	4	18292-415-000	PACKING, PROTECTOR				14		
PROTECTOR, MUFFLER		5	18295-429-000	PACKING B, MUFFLER				1		
		6	18310-MC4-003	MUFFLER COMP., EX.				1		B,DK,DM,E,ED,F,IT,SA,U
			18310-MC4-610	MUFFLER COMP., EX.				1		SD,1G,2G
			18310-MC4-671	MUFFLER COMP., EX.				1		CM
		7	18320-MC4-003	PIPE COMP., EX.				1		B,CM,DK,DM,E,ED,F,IT,SA
			18320-MC4-610	PIPE COMP., EX.				1		SD,U
			18320-MC4-630	PIPE COMP., EX.				1		1G
										2G
		8	18325-435-000	PROTECTOR COMP., EX. PIPE				1		
		9	18350-MC4-000	SUB PROTECTOR, MUFFLER				1		
		10	18355-KB7-000	PROTECTOR, MUFFLER				1		
		11	18371-MA0-770	BAND, MUFFLER				1		

1981.12.20

E

N1

N 2



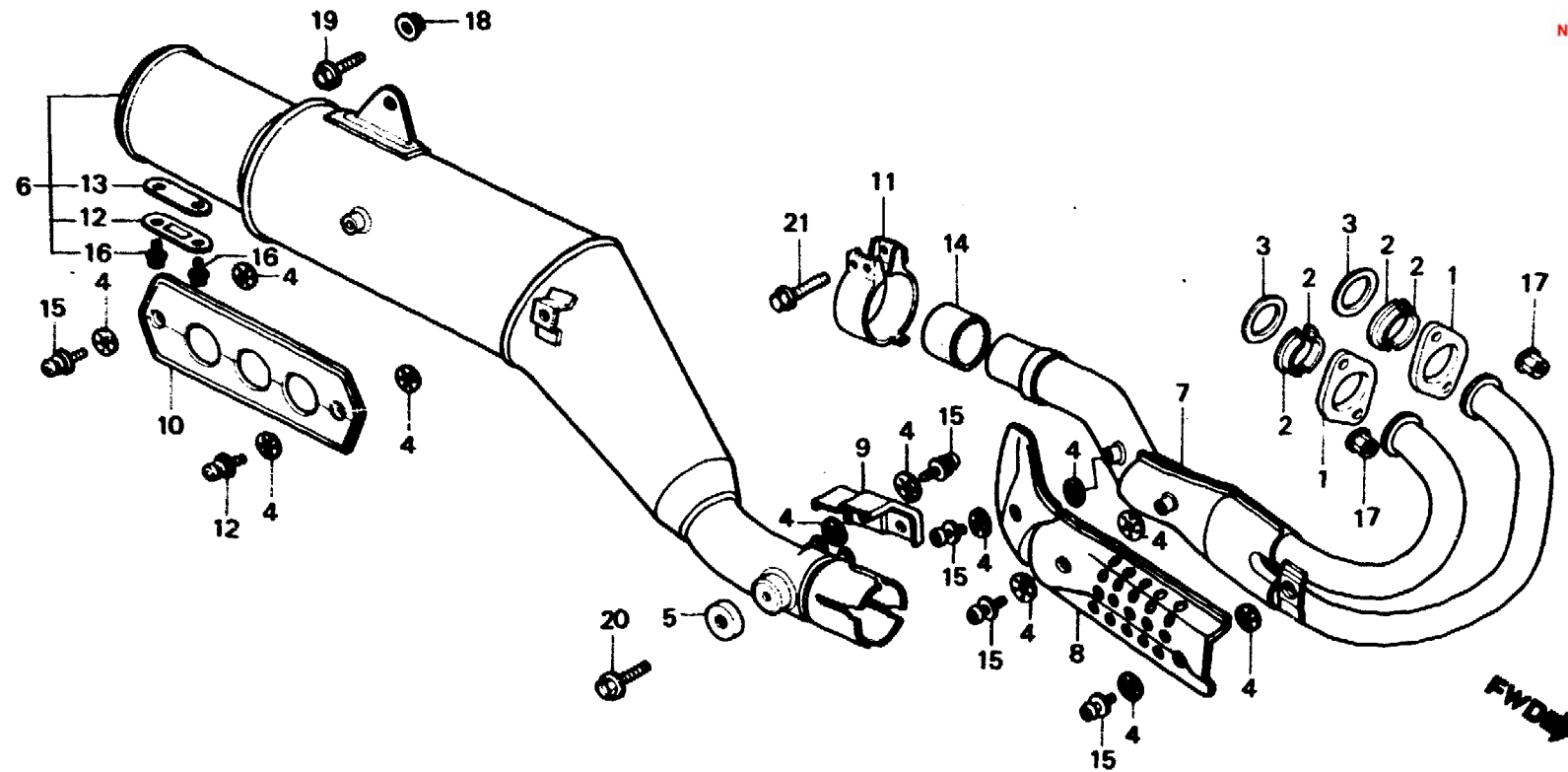
F-16-2

**Exhaust muffler
(XL500Rc)**

**Pot d'échappement
(XL500Rc)**

**Auspufftopf
(XL500Rc)**

**Silenciador
(XL500Rc)**



BMC4-13

Service item	F.R.T.	Ref. No.	Part No.	Description	Reqd. No.				Serial No.	Area code
					Sz	SA	Se	Rc		
		12	18373-429-000	LID, MUFFLER				1		CM
		13	18374-429-000	PACKING, MUFFLER LID				1		CM
		14	18391-429-000	PACKING, MUFFLER				1		
		15	90136-MC7-000	SCREW-WASHER, 6X12				7		
		16	93481-06012-07	BOLT-WASHER, 6X12				2		CM
		17	94050-06000	NUT, FLANGE, 6MM				4		
		18	94050-08000	NUT, FLANGE, 8MM				1		
		19	95700-08014-00	BOLT, FLANGE, 8X14				1		
		20	95700-08032-07	BOLT, FLANGE, 8X32				1		
		21	95700-08035-00	BOLT, FLANGE, 8X35				2		



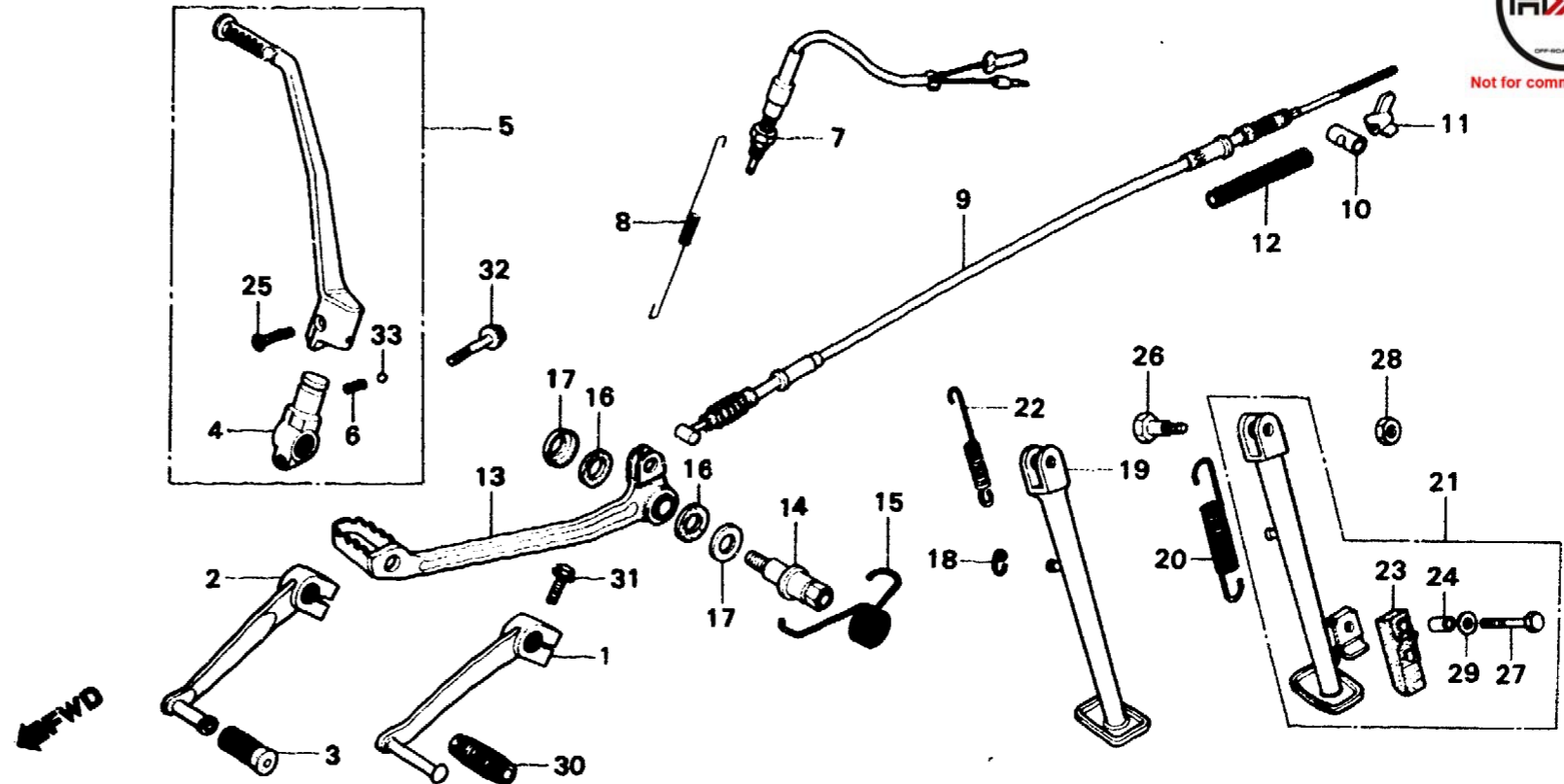
F-17

**Pedal · Kick starter arm
(XL500Sz·SA·Sb)**

**Pédale · Bras de kick de démarrage
(XL500Sz·SA·Sb)**

**Pedal · Kickstarterarm
(XL500Sz·SA·Sb)**

**Pedal · Brazo de arranque de pie
(XL500Sz·SA·Sb)**



B435-19A

Service item	F.R.T.	Ref. No.	Part No.	Description	Reqd. No. XL500				Serial No.	Area code
					Sz	SA	Sb	Rc		
PEDAL, GEAR CHANGE	0.1	1	24700-428-000	PEDAL, GEAR CHANGE	1	1				
ARM ASSY., KICK STARTER		2	24700-428-730	PEDAL, GEAR CHANGE				1		
INC. RELATIVE PART		3	24781-419-000	RUBBER, GEAR CHANGE PEDAL				1		
SWITCH ASSY., RR. STOP		4	28241-428-300	JOINT, KICK ARM	1					
CABLE COMP., RR. BRAKE			28241-428-871	JOINT, KICK ARM		1	1			
PEDAL COMP., BRAKE	0.3	5	28300-429-000	ARM ASSY., KICK STARTER	1					
SPRING, BRAKE PEDAL	0.2		28300-435-770	ARM ASSY., KICK STARTER		1	1			
BAR ASSY., SIDE STAND		6	28333-124-000	SPRING, KICK STARTER STOPPER	1	1	1			
		7	35350-435-003	SWITCH ASSY., RR. STOP (TOYO)	1	1	1			
		8	35357-428-000	SPRING, STOP SWITCH	1	1	1			
		9	43450-428-870	CABLE COMP., RR. BRAKE		1	1			
			43450-429-000	CABLE COMP., RR. BRAKE	1					
					1					
								5010777	CM	B,DK,DM,E,ED,F,SA,U,1G
										2G
										CM

N 4

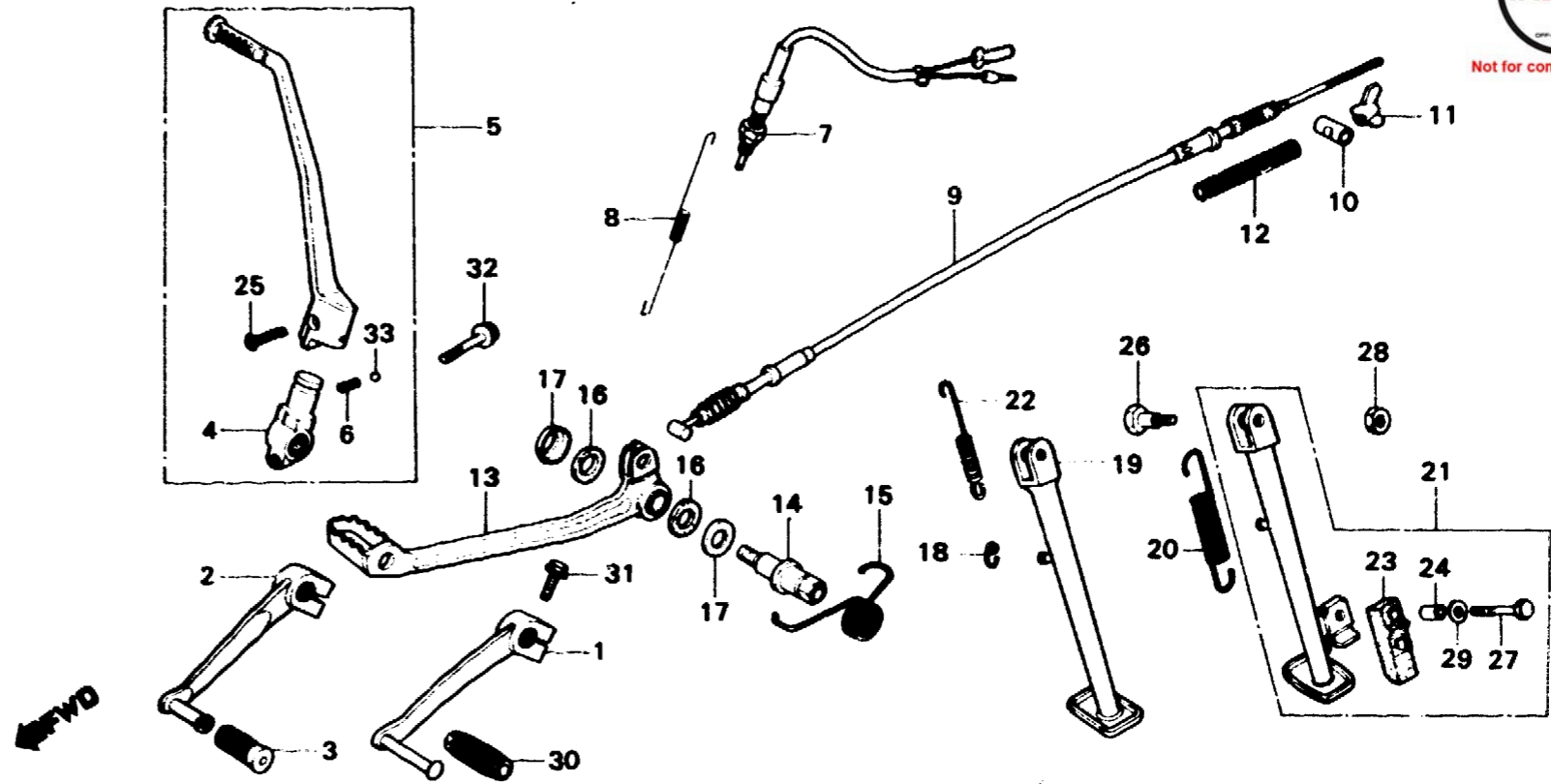
F-17

**Pedal - Kick starter arm
(XL500Sz-SA-SB)**

**Pédale - Bras de kick de démarrage
(XL500Sz-SA-SB)**

**Pedal - Kickstarterarm
(XL500Sz-SA-SB)**

**Pedal - Brazo de arranque de pie
(XL500Sz-SA-SB)**



B435-19A

Service item	F.R.T.	Ref. No.	Part No.	Description	Reqd. No.				Serial No.	Area code
					Sz	XL500 SA	Sa	Rc		
			43450-435-000	CABLE COMP., RR. BRAKE	1				5010778	B,DK,DM,E,ED,F,SA,U,1G,2G
						1	1			B,DK,DM,E,ED,F,SA,SD,U,1G,2G
10			43453-429-000	JOINT, BRAKE ARM	1	1				B,DK,DM,E,ED,F,SA,SD,U,1G,2G
			95015-32001	JOINT B, BRAKE ARM	1	1	1			CM B,DK,DM,E,ED,F,SA,SD,U,1G,2G
		11	43459-434-000	NUT, BRAKE ADJUSTING	1	1	1			
		12	45452-044-300	SPRING A, BRAKE CABLE	1	1	1			
		13	46500-428-000	PEDAL COMP., BRAKE	1	1	1			B,CM,DK,DM,E,ED,F,SA,SD,U
			46500-428-610	PEDAL COMP., BRAKE	1	1	1			1G,2G
		14	46510-428-000	SHAFT, RR. BRAKE	1	1	1			
		15	46514-429-000	SPRING, BRAKE PEDAL	1	1	1			
		16	46516-430-000	DUST SEAL, BRAKE PEDAL	2	2	2			
		17	46518-361-000	WASHER, BRAKE PIVOT	2	2	2			

N 5

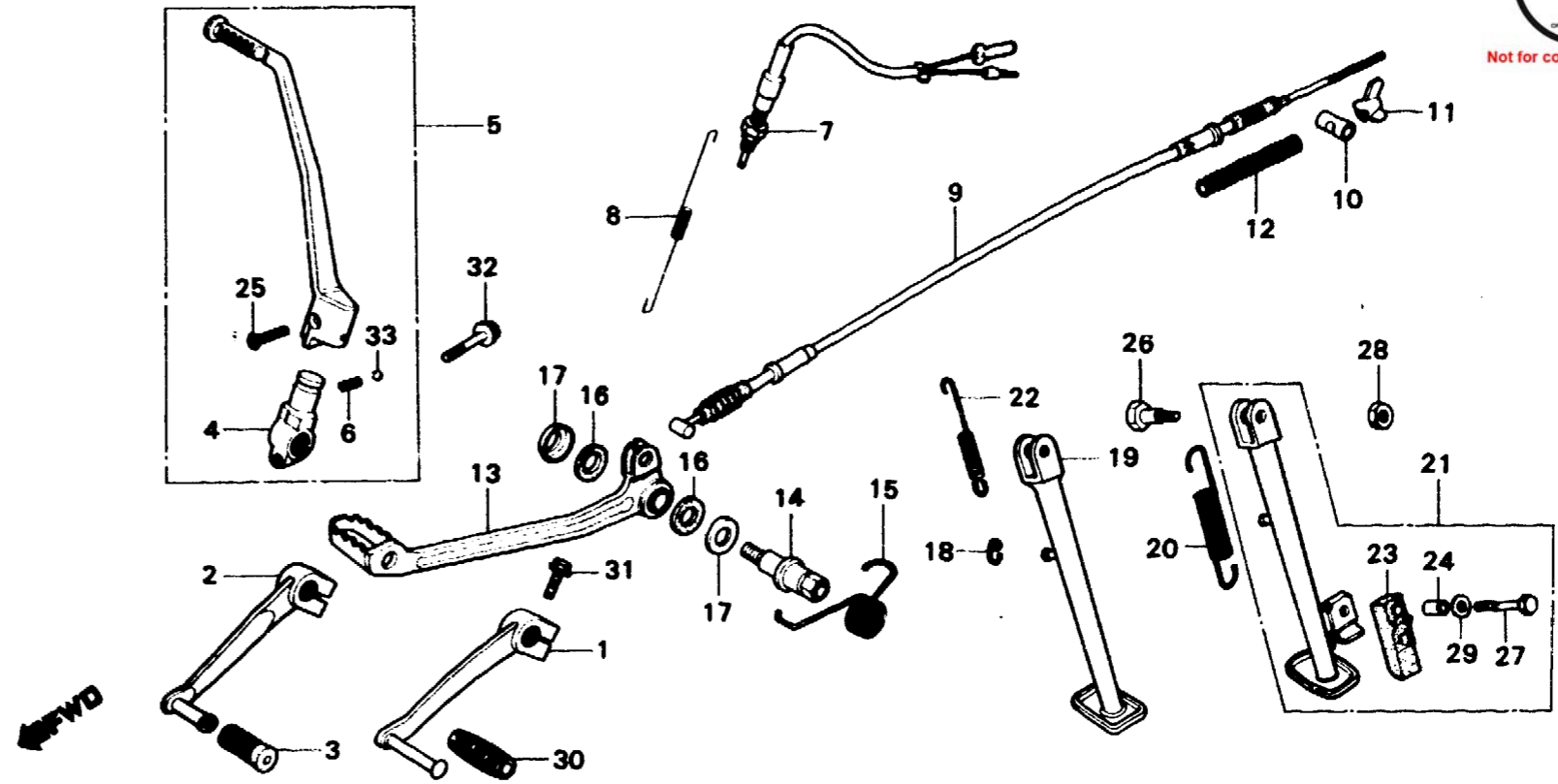
F-17

**Pedal · Kick starter arm
(XL500Sz·SA·Sb)**

**Pédale · Bras de kick de démarrage
(XL500Sz·SA·Sb)**

**Pedal · Kickstarterarm
(XL500Sz·SA·Sb)**

**Pedal · Brazo de arranque de pie
(XL500Sz·SA·Sb)**



B435-19A

Service item	F.R.T.	Ref. No.	Part No.	Description	Reqd. No.				Serial No.	Area code
					Sz	SA	Sa	Rc		
		18	50525-428-850	HOOK, SIDE STAND SPRING			1		1G,2G	
		19	50530-428-830	BAR, SIDE STAND			1		B,DK,DM,E,F,SA,U	
		20	50535-429-000	SPRING, SIDE STAND	1	1	1		B,CM,DK,DM,E,ED,F,SA,SD	
					2	2			U	
							1		1G,2G	
		21	50540-428-610	BAR ASSY., SIDE STAND	1	1			1G,2G	
			50540-428-670	BAR ASSY., SIDE STAND	1	1			ED,SD	
			50540-428-850	BAR ASSY., SIDE STAND			1		ED,SD,1G,2G	
		22	50542-438-000	SUB SPRING, SIDE STAND			1		1G,2G	
		23	50548-356-700	RUBBER, STAND	1	1	1		ED,SD,1G,2G	
		24	50549-356-700	COLLAR, STAND RUBBER SETTING	1	1	1		ED,SD,1G,2G	
		25	90101-329-000	BOLT, KICK ARM	1	1	1			



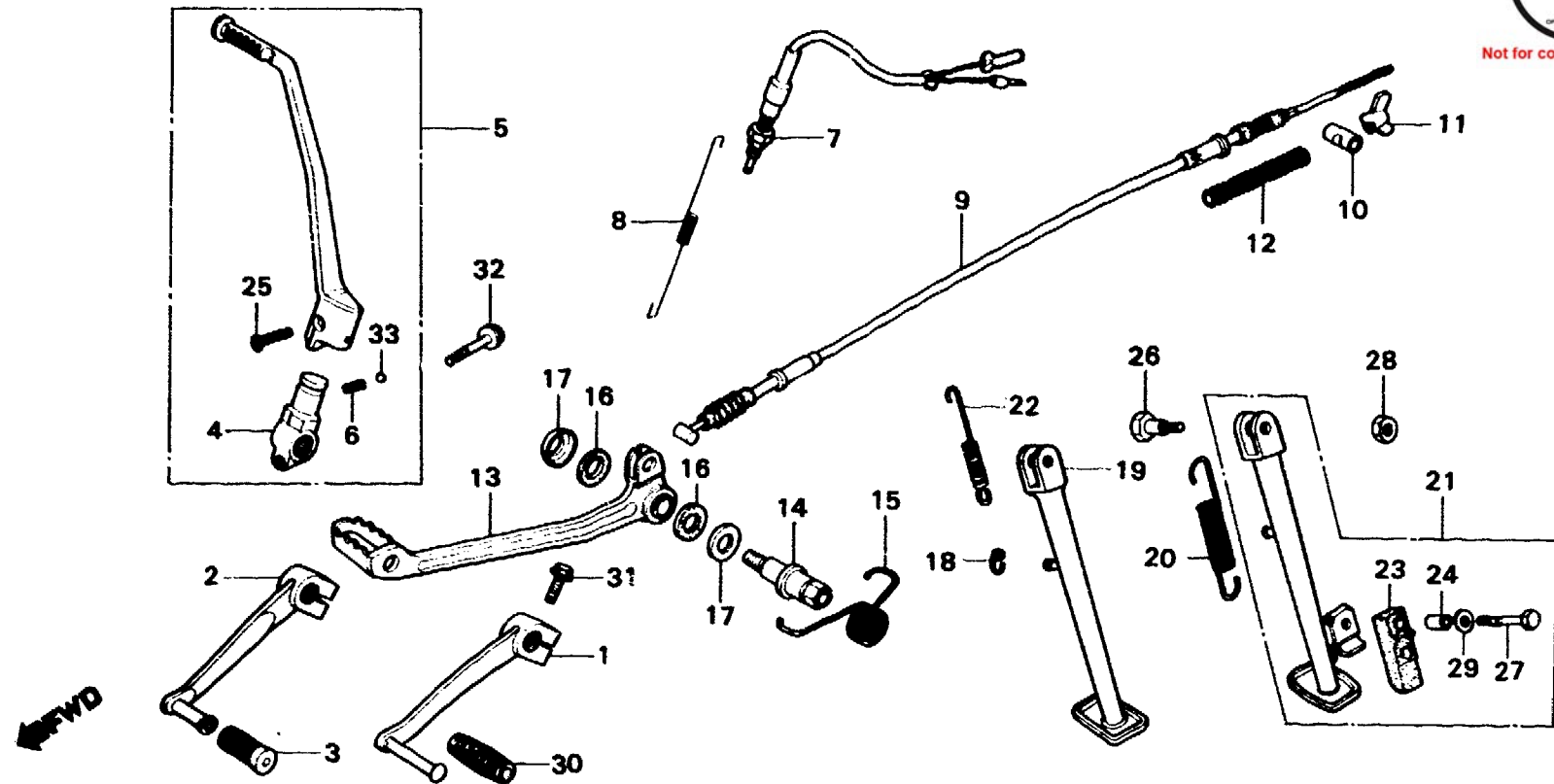
F-17

**Pedal - Kick starter arm
(XL500Sz-SA-SB)**

**Pédale - Bras de kick de démarrage
(XL500Sz-SA-SB)**

**Pedal - Kickstarterarm
(XL500Sz-SA-SB)**

**Pedal - Brazo de arranque de pie
(XL500Sz-SA-SB)**



B435-19A

Service item	F.R.T.	Ref. No.	Part No.	Description	Reqd. No				Serial No.	Area code
					Sz	SA	SB	Rc		
		26	90108-283-000	SCREW, SIDE STAND PIVOT	1	1	1			
		27	92000-06028	BOLT, HEX., 6X28	1	1	1		ED,SD,1G,2G	
		28	94030-10000	NUT, HEX., 10MM	1	1	1			
		29	94101-06000	WASHER, PLAIN, 6MM	1	1	1		ED,SD,1G,2G	
		30	95011-40000	RUBBER, CHANGE PEDAL	1	1				
		31	95700-06020-00	BOLT, FLANGE, 6X20	1	1	1			
		32	95700-08028-00	BOLT, FLANGE, 8X28	1	1	1			
		33	96211-08000	BALL, STEEL, #8 (1/4)	1	1	1			

N 7



Not for commercial use

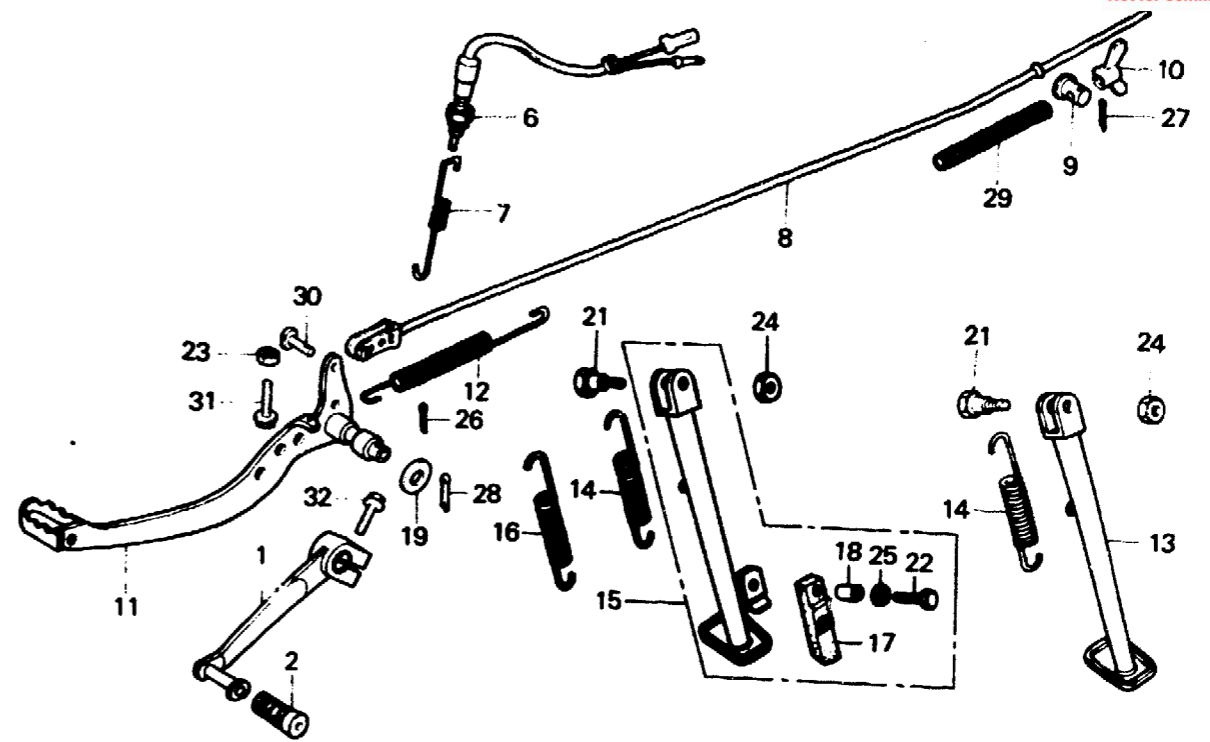
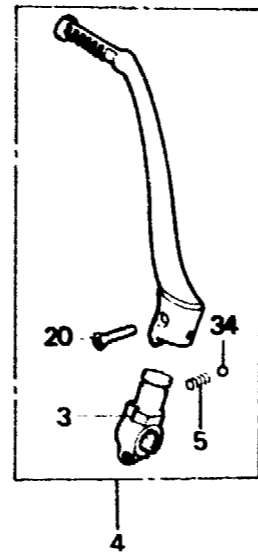
F-17-1

**Pedal • Kick starter arm
(XL500Rc)**

**Pédale • Bras de kick de démarrage
(XL500Rc)**

**Pedal • Kickstarterarm
(XL500Rc)**

**Pedal • Brazo de arranque de pie
(XL500Rc)**



BMC4-14

Service item	F.R.T.	Ref. No.	Part No.	Description	Reqd. No.				Serial No.	Area code
					Sz	SA	Se	Rc		
PEDAL, GEAR CHANGE	0.1	1	24700-KB7-000	PEDAL, GEAR CHANGE						
ARM ASSY., KICK STARTER		2	24781-419-000	RUBBER, GEAR CHANGE PEDAL						
INC. RELATIVE PART		3	28241-MC4-000	JOINT, KICK ARM						
SPRING, SIDE STAND		4	28300-MC4-000	ARM ASSY., KICK STARTER						
SWITCH ASSY., RR. STOP	0.2	5	28333-124-000	SPRING, KICK STARTER STOPPER						
ROD, RR. BRAKE		6	35350-KB7-000	SWITCH ASSY., RR. STOP						
PEDAL COMP., BRAKE		7	35357-KB7-000	SPRING, STOP SWITCH						
BAR, SIDE STAND		8	43451-KB8-000	ROD, RR. BRAKE						
BAR ASSY., SIDE STAND			43451-MC4-000	ROD, RR. BRAKE						CM B,DK,DM,E,ED,F,IT,SA,SD U,1G,2G
		9	43453-MC4-000	JOINT, BRAKE ARM						
		10	43459-434-000	NUT, BRAKE ADJUSTING						
		11	46500-MC4-000	PEDAL COMP., BRAKE						
		12	46511-KB7-000	SPRING, BRAKE PEDAL						

N 8



Not for commercial use

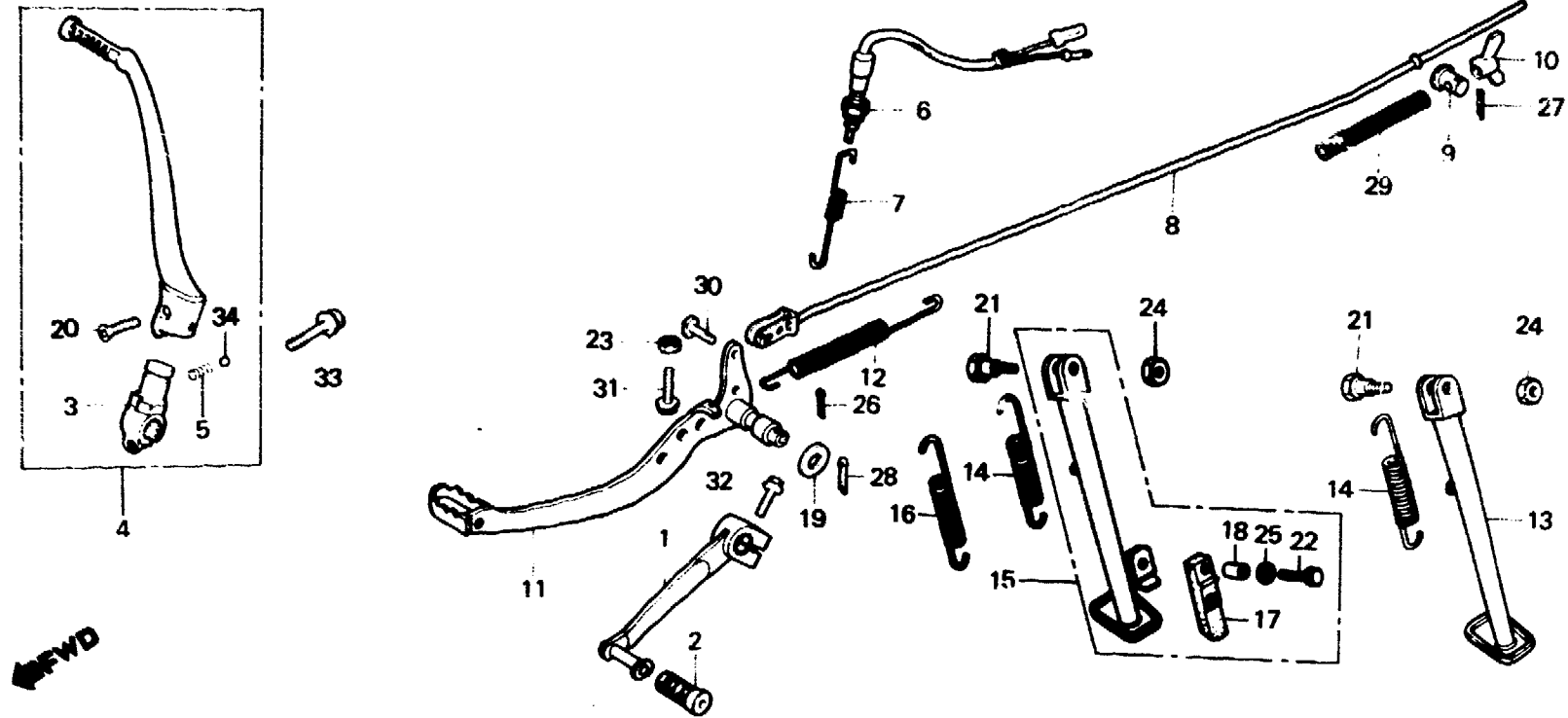
F-17-1

**Pedal • Kick starter arm
(XL500Rc)**

**Pédale • Bras de kick de démarrage
(XL500Rc)**

**Pedal • Kickstarterarm
(XL500Rc)**

**Pedal • Brazo de arranque de pie
(XL500Rc)**



BMC4-14

Service item	F.R.T.	Ref. No.	Part No.	Description	Reqd. No. XL500				Serial No.	Area code
					Sz	SA	Se	Rc		
		13	50530-MC4-000	BAR, SIDE STAND				1		B,DK,DM,E,ED,F,IT,SA,SD U
		14	50535-429-000	SPRING, SIDE STAND				1		
		15	50540-MC4-670	BAR ASSY., SIDE STAND				1		CM,1G,2G
		16	50542-438-000	SUB SPRING, SIDE STAND				1		1G,2G
		17	50548-356-700	RUBBER, STAND				1		CM,1G,2G
		18	50549-356-700	COLLAR, STAND RUBBER SETTING				1		CM,1G,2G
		19	53312-657-000	BUSH, WASHER				1		
		20	90101-329-000	BOLT, KICK ARM				1		
		21	90108-283-000	SCREW, SIDE STAND PIVOT				1		
		22	92000-06028	BOLT, HEX., 6X28				1		CM,1G,2G
		23	94001-06000	NUT, HEX., 6MM				1		
		24	94031-10000	NUT, HEX., 10MM				1		
		25	94101-06000	WASHER, PLAIN, 6MM				1		CM,1G,2G

N 9



Not for commercial use

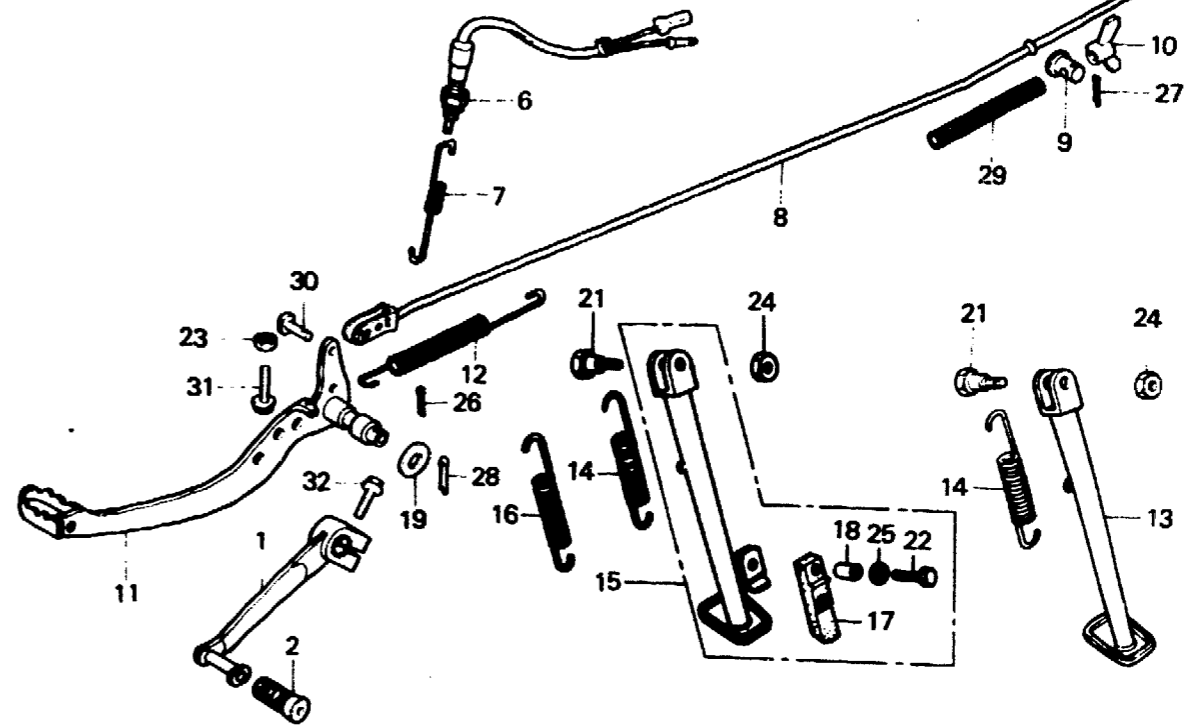
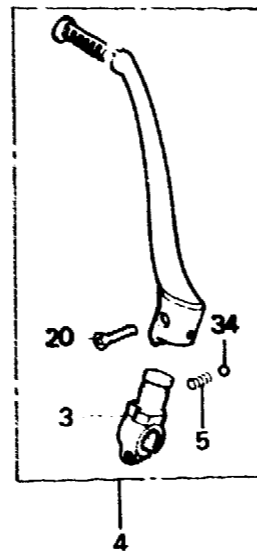
F-17-1

**Pedal • Kick starter arm
(XL500Rc)**

**Pédale • Bras de kick de démarrage
(XL500Rc)**

**Pedal • Kickstarterarm
(XL500Rc)**

**Pedal • Brazo de arranque de pie
(XL500Rc)**



← FWD

BMC4-14

Service item	F.R.T.	Ref. No.	Part No.	Description	Reqd. No.				Serial No.	Area code
					Sz	XL500	SA	Se		
		26	94201-16150	PIN, SPLIT, 1.6X15					1	
		27	94201-20200	PIN, SPLIT, 2.0X20					1	
		28	94201-30400	PIN, SPLIT, 3.0X40					1	
		29	95014-73100	SPRING A, BRAKE ROD					1	
		30	95015-52000	PIN B, BRAKE ROD JOINT					1	
		31	95700-06016-00	BOLT, FLANGE, 6X16					1	
		32	95700-06020-00	BOLT, FLANGE, 6X20					1	
		33	95700-08028	BOLT, FLANGE, 8X28					1	
		34	96211-08000	BALL, STEEL, #8 (1/4)					1	