

K 14

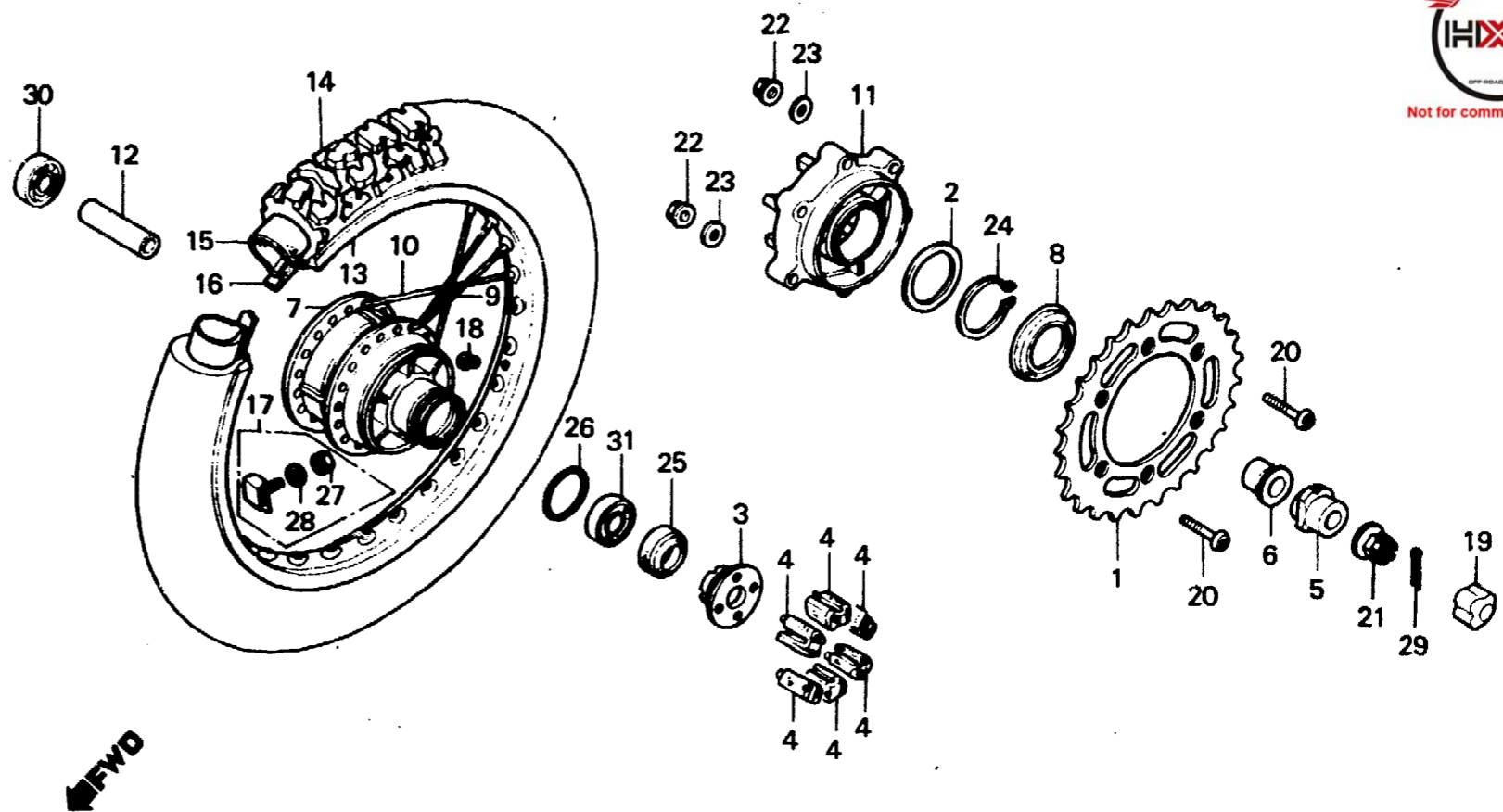
F-11

**Rear wheel
(XL500Sz·SA·SB)**

**Roue arrière
(XL500Sz·SA·SB)**

**Hinterrad
(XL500Sz·SA·SB)**

**Rueda trasera
(XL500Sz·SA·SB)**



B435-13A

Service item	F.R.T.	Ref. No.	Part No.	Description	Reqd. No.				Serial No.	Area code
					Sz	XL500 SA	Sa	Rc		
SPROCKET, FINAL DRIVEN	0.6	1	41201-435-720	SPROCKET, FINAL DRIVEN (39T)	1				5010527	B,DK,DM,E,ED,F,U,1G
FLANGE, FINAL DRIVEN					1					CM
RETAINER, BEARING	0.4		41201-435-010	SPROCKET, FINAL DRIVEN (39T)	1				5010528	B,DK,DM,E,ED,F,U,1G
RUBBER, RR. WHEEL DAMPER (ONE OR ALL)					1	1	1			SA,2G
HUB COMP., RR. WHEEL	2.6					1	1			B,CM,DK,DM,E,ED,F,SD,U
COLLAR, RR. AXLE DISTANCE	0.5	2	41204-413-780	WASHER, 80X65	1	1	1			1G
OIL SEAL, 25X40X7		3	41231-428-000	RETAINER, BEARING	1	1	1			
BEARING, RADIAL BALL (ADD 0.1 FOR EACH.)		4	41241-435-000	RUBBER, RR. WHEEL DAMPER	6	6	6			
RIM, RR. WHEEL	2.3	5	42304-435-600	COLLAR, RR. AXLE	1	1	1			
TIRE, RR.	1.0	6	42312-428-000	COLLAR, RR. WHEEL	1	1	1			
TUBE, TIRE		7	42601-435-000	HUB COMP., RR. WHEEL	1					
			42601-435-010	HUB COMP., RR. WHEEL		1			5104943	CM
			42601-435-860	HUB COMP., RR. WHEEL		1	1		5104944	CM
										B,DK,DM,E,ED,F,SA,SD,U
										1G,2G
										CM
		8	42604-413-780	COVER, SPROCKET SIDE DUST	1	1	1			

1981.12.20

E

K14

K 15

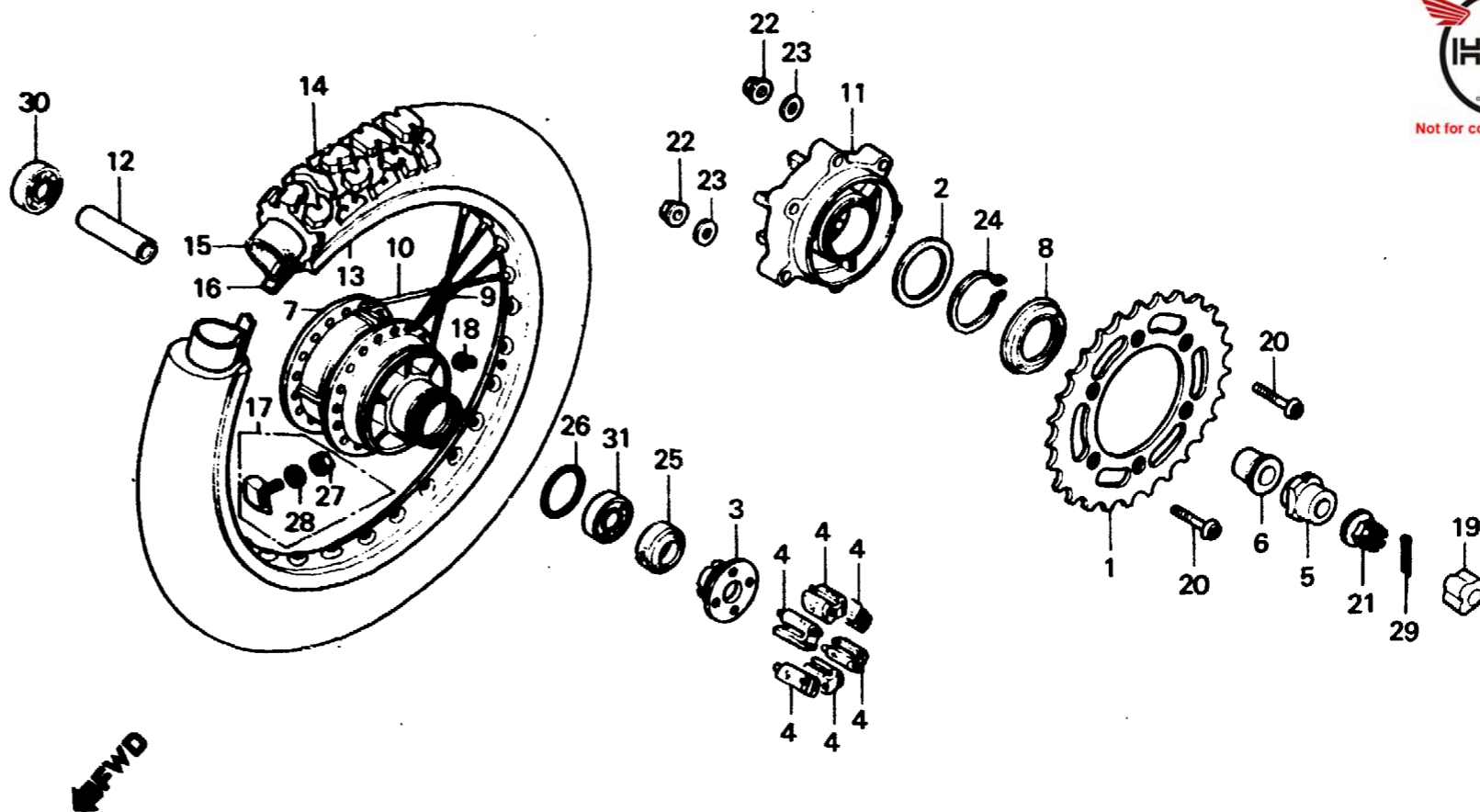
F-11

**Rear wheel
(XL500Sz·SA·SB)**

**Roue arrière
(XL500Sz·SA·SB)**

**Hinterrad
(XL500Sz·SA·SB)**

**Rueda trasera
(XL500Sz·SA·SB)**



B435-13A

Service item	F.R.T.	Ref. No.	Part No.	Description	Reqd. No. XL500				Serial No.	Area code
					Sz	SA	SB	Rc		
		9	42605-429-305	SPOKE ASSY. A, RR.	18	18	18			
		10	42606-429-305	SPOKE ASSY. B, RR.	18	18	18			
		11	42612-435-000	FLANGE, FINAL DRIVEN	1				5105775	B,DK,DM,E,ED,F,SA,U,1G
									5104943	CM
			42612-435-010	FLANGE, FINAL DRIVEN	1				5105776	B,DK,DM,E,ED,F,SA,U,1G
					1				5104944	CM
						1				SD,2G
							1			B,CM,DK,DM,E,ED,F,SA,U
		12	42620-428-000	COLLAR, RR. AXLE DISTANCE	1					1G
										B,DK,DM,E,ED,F,SA,U,1G
					1	1				2G
			42620-435-860	COLLAR, RR. AXLE DISTANCE			1	1		CM
										B,DK,DM,E,ED,F,SA,SD,U
										1G,2G
		13	42701-429-003	RIM, RR. WHEEL (2.15X18)						CM
		14	42711-435-003	TIRE, RR. (4.60-18 BS)	1	1	1			B,DK,DM,E,ED,F,SA,SD,U
					1	1				1G,2G
			42711-435-671	TIRE, RR. (4.60-18 BS)	1	1				CM

1981.12.20

E

K15

K 16

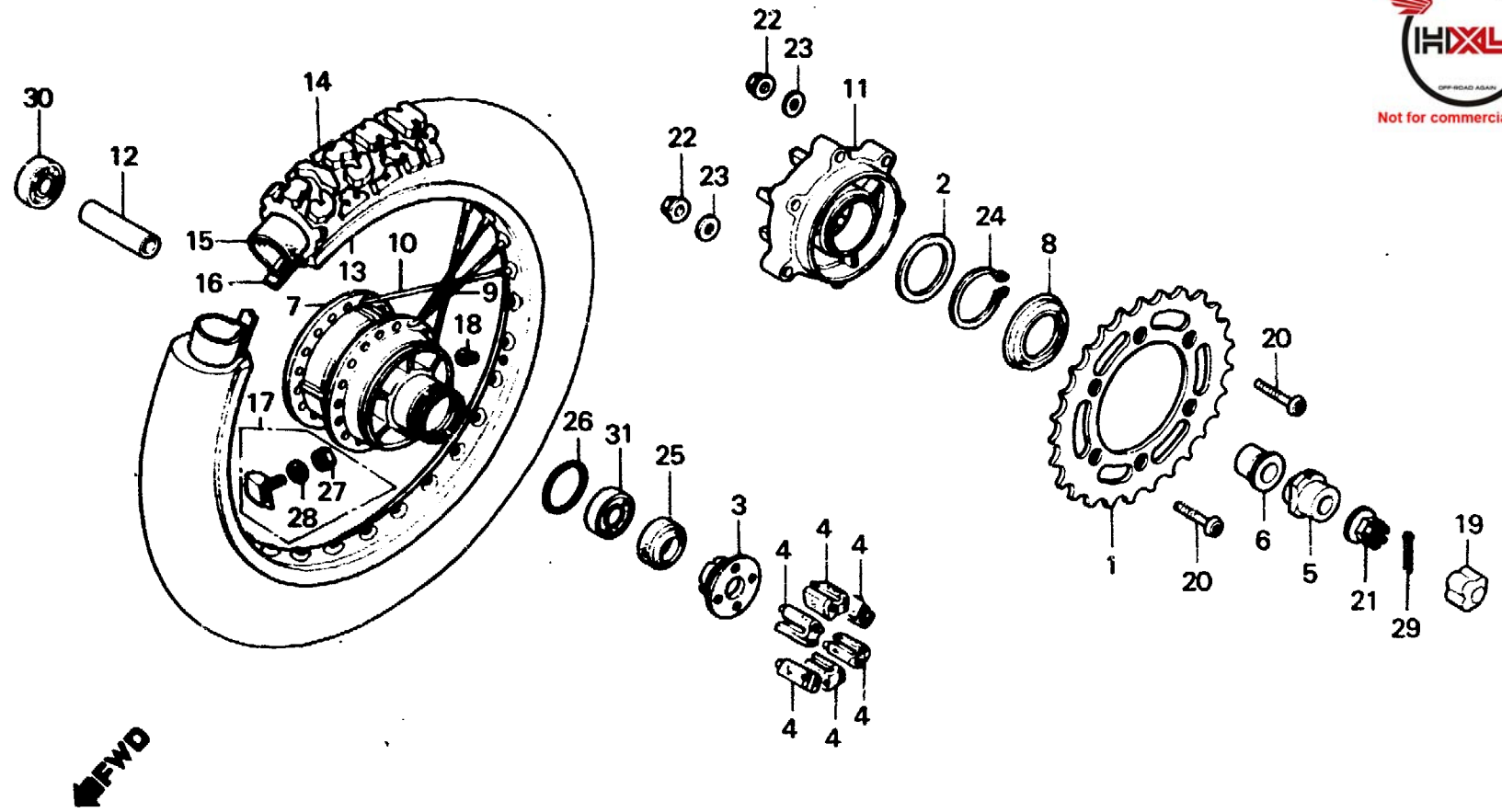
F-11

**Rear wheel
(XL500Sz·SA·SB)**

**Roue arrière
(XL500Sz·SA·SB)**

**Hinterrad
(XL500Sz·SA·SB)**

**Rueda trasera
(XL500Sz·SA·SB)**



B435-13A

Service item	F.R.T.	Ref. No.	Part No.	Description	Reqd. No.				Serial No.	Area code
					Sz	XL500 Sa	Sb	Rc		
			42711-428-019	TIRE, RR. (4.60-18 YOKOHAMA)		1			B,DK,DM,E,ED,F,SA,SD,U	
			42711-428-731	TIRE, RR. (4.60-18 YOKOHAMA)			1		1G,2G	
		15	42712-435-003	TUBE, TIRE (4.60-18 BS)	1	1	1		CM	
			42712-428-009	TUBE, TIRE (4.60-18 YOKOHAMA)	1	1			B,DK,DM,E,ED,F,SA,SD,U	
			44713-434-003	FLAP, TIRE (1.60X23 BS)	1	1	1		1G,2G	
			42713-428-009	FLAP, TIRE (2.15X18 YOKOHAMA)	1	1			CM	
		17	42715-428-000	STOPPER, BEAD	1	1	1			
		18	42717-329-000	CAP, RIM HOLE	1	1	1			
		19	44302-428-610	CAP, AXLE NUT	1	1	1		B,ED,SD,1G,2G	
		20	90128-428-010	BOLT, DRIVE SPROCKET FIXING	6					
						6			5105775 E	



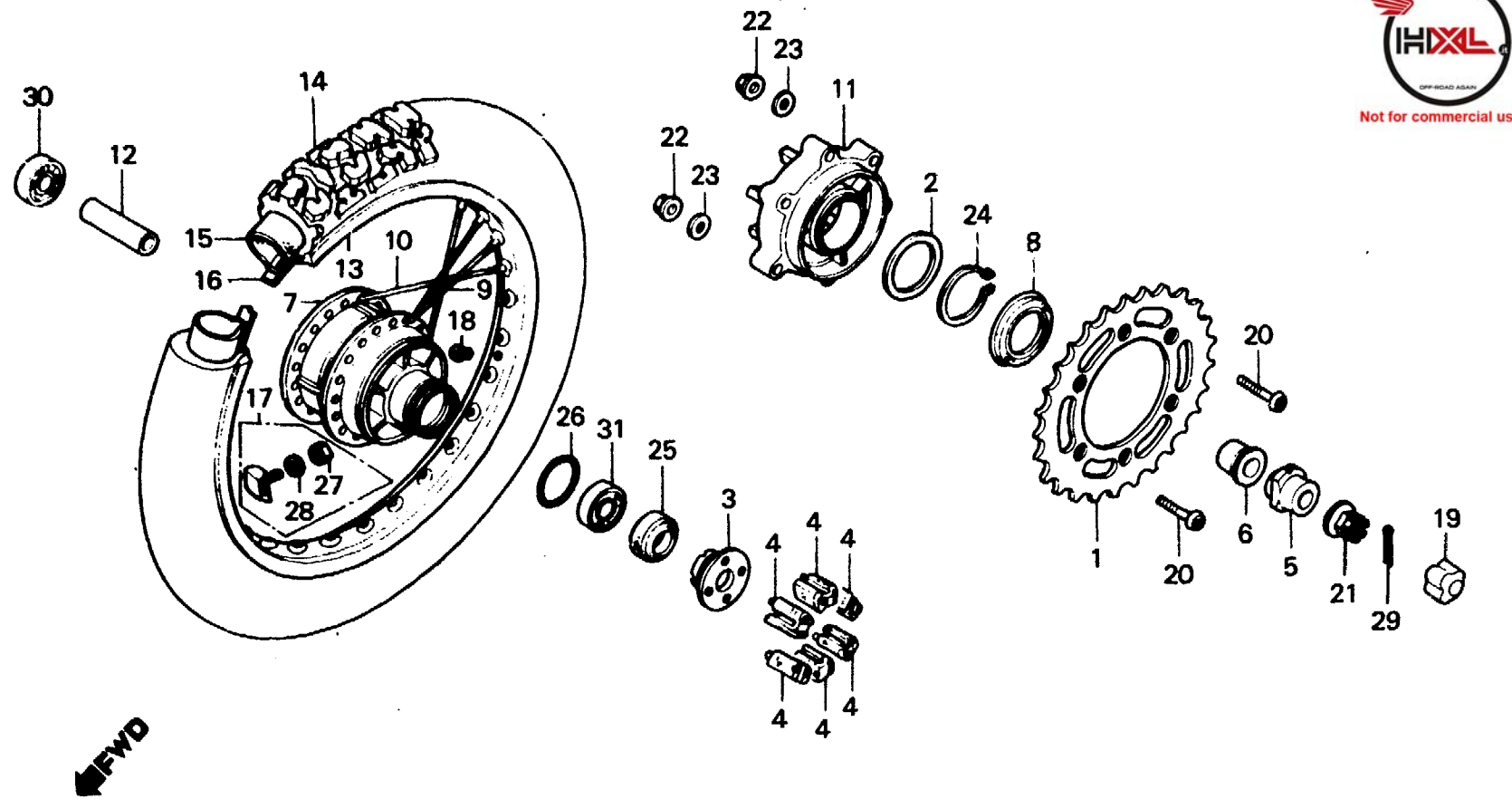
F-11

Rear wheel
(XL500Sz·SA·SB)

Roue arrière
(XL500Sz·SA·SB)

Hinterrad
(XL500Sz·SA·SB)

Rueda trasera
(XL500Sz·SA·SB)



B435-13A

Service item	F.R.T.	Ref. No.	Part No.	Description	Reqd. No.				Serial No.	Area code
					Sz	XL500	SA	Sa		
			90128-428-020	BOLT, DRIVEN SPROCKET FIXING	6				5105776	B,DK,DM,E,ED,F,SA,U,1G
					6				5104944	CM
					6	6				SD,2G
							6			B,CM,DK,DM,E,ED,F,SA,U
										1G
		21	90305-369-000	NUT, AXLE, 16MM	1	1	1			
		22	90309-357-000	NUT, UBS, 8MM	6	6				
			90309-428-731	NUT, FLANGE, 8MM			6			
		23	90465-422-000	WASHER, THRUST, 8MM	6					
									5105775	B,DK,DM,E,ED,F,SA,U,1G
									5104943	CM
			90465-428-000	WASHER, THRUST, 8MM	6				5105776	B,DK,DM,E,ED,F,SA,U,1G
					6				5104944	CM
					6	6				SD,2G
							6			B,CM,DK,DM,E,ED,F,SA,U
										1G
		24	90665-329-000	CIRCLIP, EXTERNAL, 65MM	1	1	1			
		25	91252-428-000	OIL SEAL, 25X40X7	1	1	1			

L 2

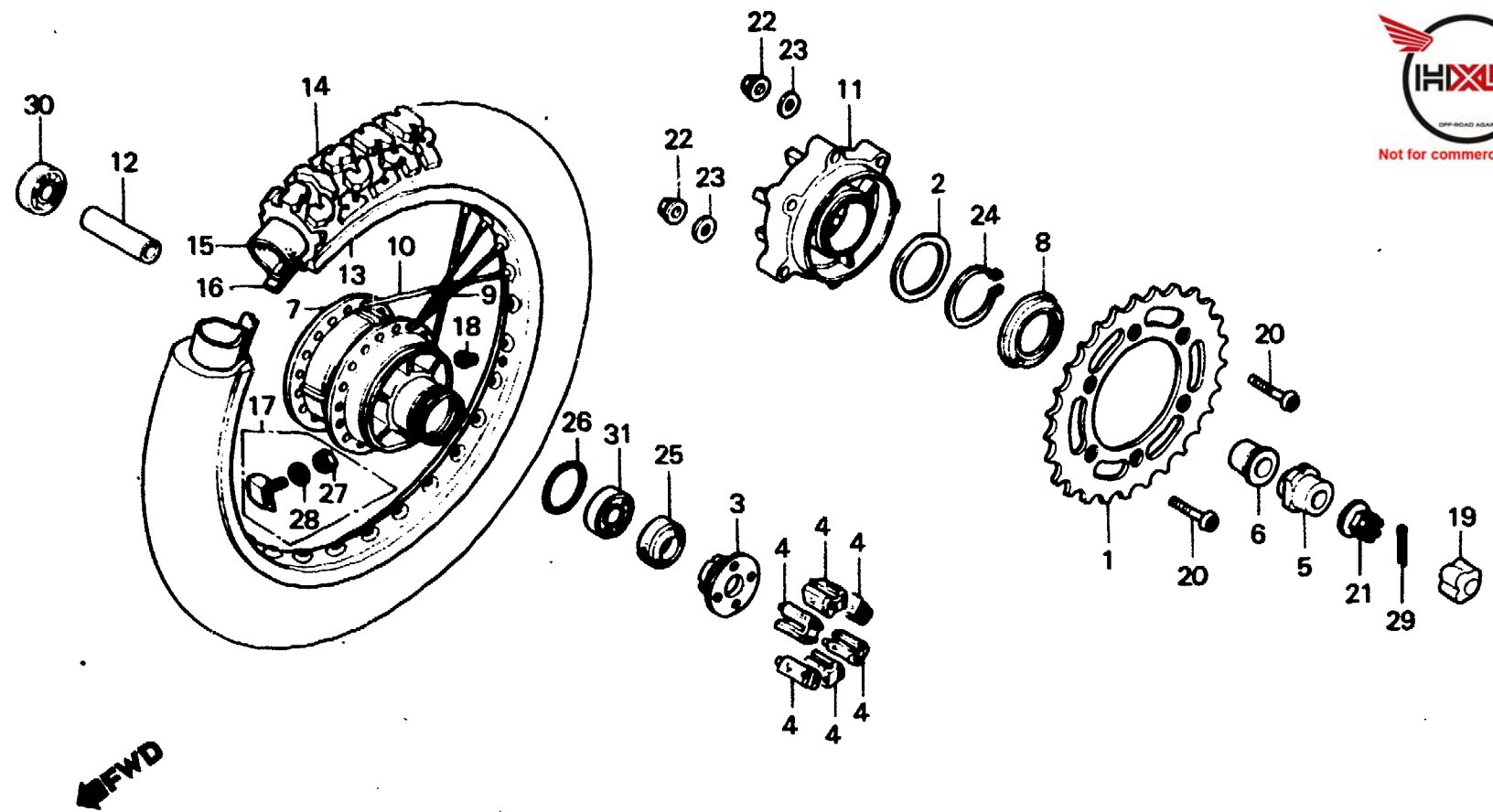
F-11

Rear wheel
(XL500Sz·SA·SB)

Roue arrière
(XL500Sz·SA·SB)

Hinterrad
(XL500Sz·SA·SB)

Rueda trasera
(XL500Sz·SA·SB)



B435-13A

Service item	F.R.T.	Ref. No.	Part No.	Description	Reqd. No.			Serial No.	Area code
					Sz	XL500 SA	Sa Rc		
		26	91262-329-010	O-RING, 62X2	1	1	1		
		27	94001-08000-0S	NUT, HEX., 8MM	1	1	1		
		28	94111-08000	WASHER, SPRING, 8MM	1	1	1		
		29	94201-40300	PIN, SPLIT, 4.0X30	1	1	1		
		30	96140-62030-10	BEARING, RADIAL BALL, 6203	1	1	1		
		31	96140-63030-10	BEARING, RADIAL BALL, 6303U	1	1	1		

1981.12.20

E

L2



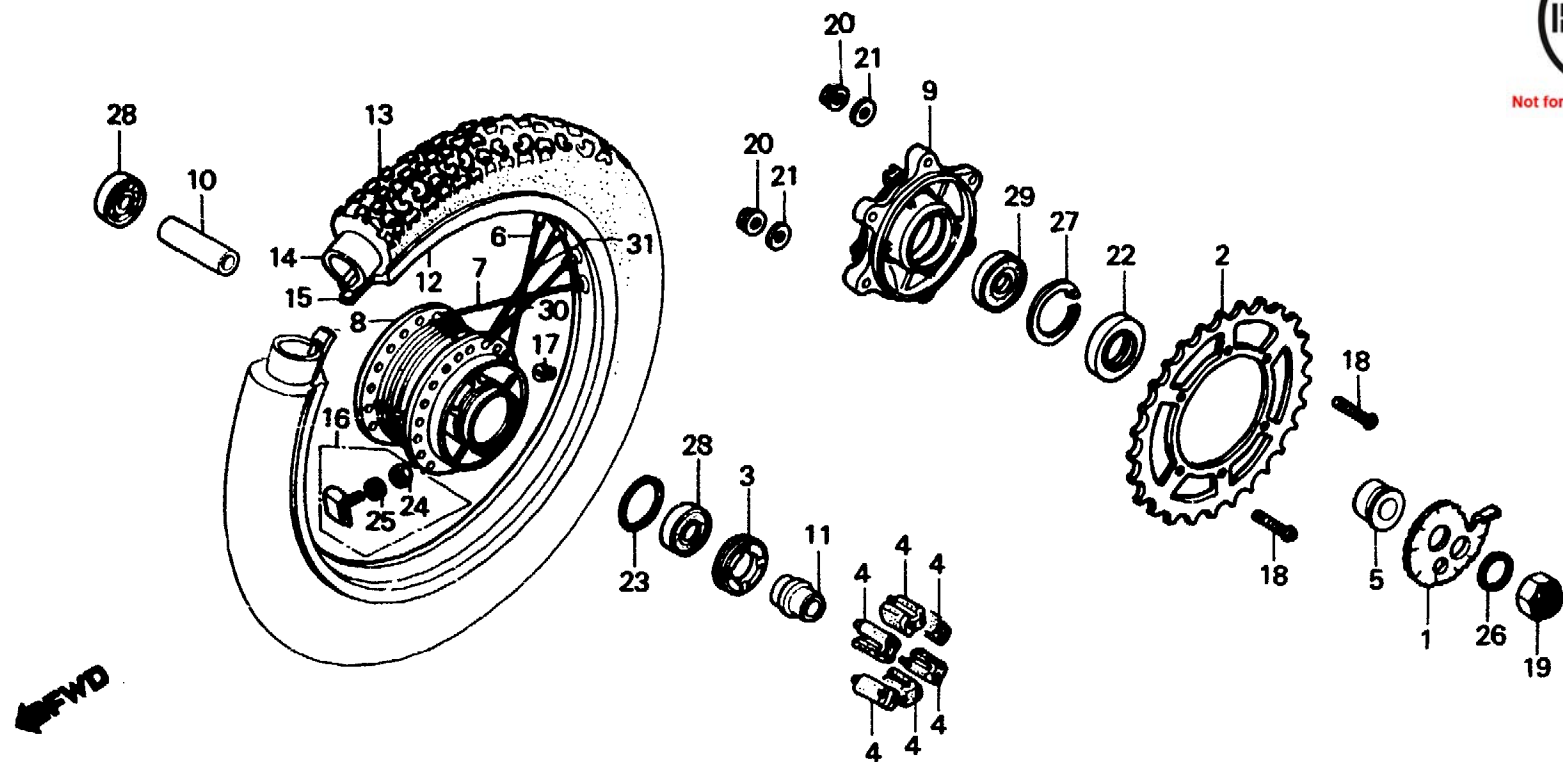
F-11-1

Rear wheel
(XL500Rc)

Roue arrière
(XL500Rc)

Hinterrad
(XL500Rc)

Rueda trasera
(XL500Rc)



BKB7-9

Service item	F.R.T.	Ref. No.	Part No.	Description	Reqd. No.				Serial No.	Area code
					Sz	SA	Se	Rc		
SPROCKET, FINAL DRIVEN	0.5	1	40545-KB7-000	ADJUSTER, L. CHAIN				1		
COLLAR A, RR. AXLE DISTANCE		2	41201-KA7-000	SPROCKET, FINAL DRIVEN (43T)				1		CM
BEARING, RADIAL BALL (ADD 0.1 FOR EACH.)			41201-435-671	SPROCKET, FINAL DRIVEN (41T)				1		B,DK,DM,E,ED,F,IT,SA,SD
RETAINER, RR. WHEEL BEARING	0.4	3	41231-MC4-000	RETAINER, RR. WHEEL BEARING				1		U,1G,2G
RUBBER, RR. WHEEL DAMPER (ONE OR ALL)		4	41241-MC4-000	RUBBER, RR. WHEEL DAMPER				6		
HUB COMP., RR. WHEEL	2.6	5	42312-MC4-000	COLLAR, RR. WHEEL				1		
FLANGE, FINAL DRIVEN	0.6	6	426A0-MC4-000	SPOKE SET (BS8X160.5)				9		
RIM, RR. WHEEL	2.3	7	426B0-MC4-000	SPOKE SET, BS8X155.5				9		
TIRE, RR.	1.0	8	42601-MC4-000	HUB COMP., RR. WHEEL				1		
TUBE, TIRE		9	42611-MC4-000	FLANGE, FINAL DRIVEN				1		
		10	42620-MC4-000	COLLAR A, RR. AXLE DISTANCE				1		
		11	42625-MC4-000	COLLAR B, RR. AXLE DISTANCE				1		
		12	42701-MC4-003	RIM, RR. WHEEL (2.15X17)				1		



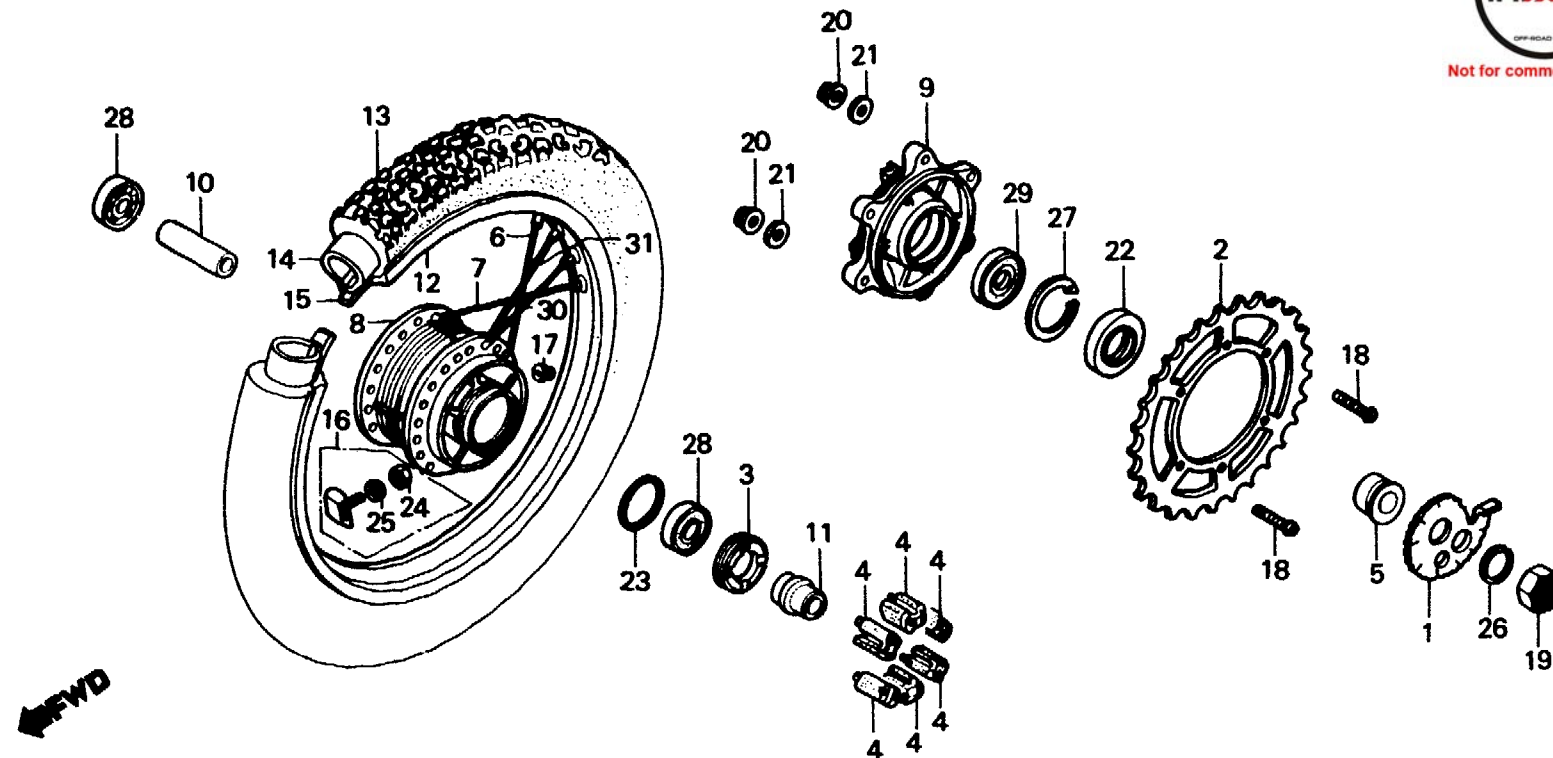
F-11-1

**Rear wheel
(XL500Rc)**

**Roue arrière
(XL500Rc)**

**Hinterrad
(XL500Rc)**

**Rueda trasera
(XL500Rc)**



BKB7-9

Service item	F.R.T.	Ref. No.	Part No.	Description	Reqd. No.				Serial No.	Area code
					Sz	SA	Se	Rc		
		13	42711-MC4-009	TIRE, RR. (4.60-17-4PR) (YOKOHAMA)				1		B,DK,DM,E,ED,F,IT,SA,SD
			42711-MC4-671	TIRE, RR. (4.60-17-4PR) (YOKOHAMA)				1		U,1G,2G CM
		14	42712-MC4-009	TUBE, TIRE (4.60-17 YOKOHAMA)				1		
		15	42713-102-009	FLAP, TIRE (17 YOKOHAMA)				1		
		16	42715-MA0-770	STOPPER, BEAD				1		
		17	42717-329-000	CAP, RIM HOLE				1		
		18	90128-428-020	BOLT, DRIVEN SPROCKET FIXING				6		
		19	90305-MA0-003	NUT, AXLE, 16MM				1		
		20	90309-428-731	NUT, FLANGE, 8MM				6		
		21	90465-MC4-000	WASHER, 6MM				6		
		22	91252-MC4-003	OIL SEAL, 28X47.2X7				1		
			91252-MC4-005	OIL SEAL, 28X47.2X7				1		
		23	91302-317-700	O-RING, 54X2				1		



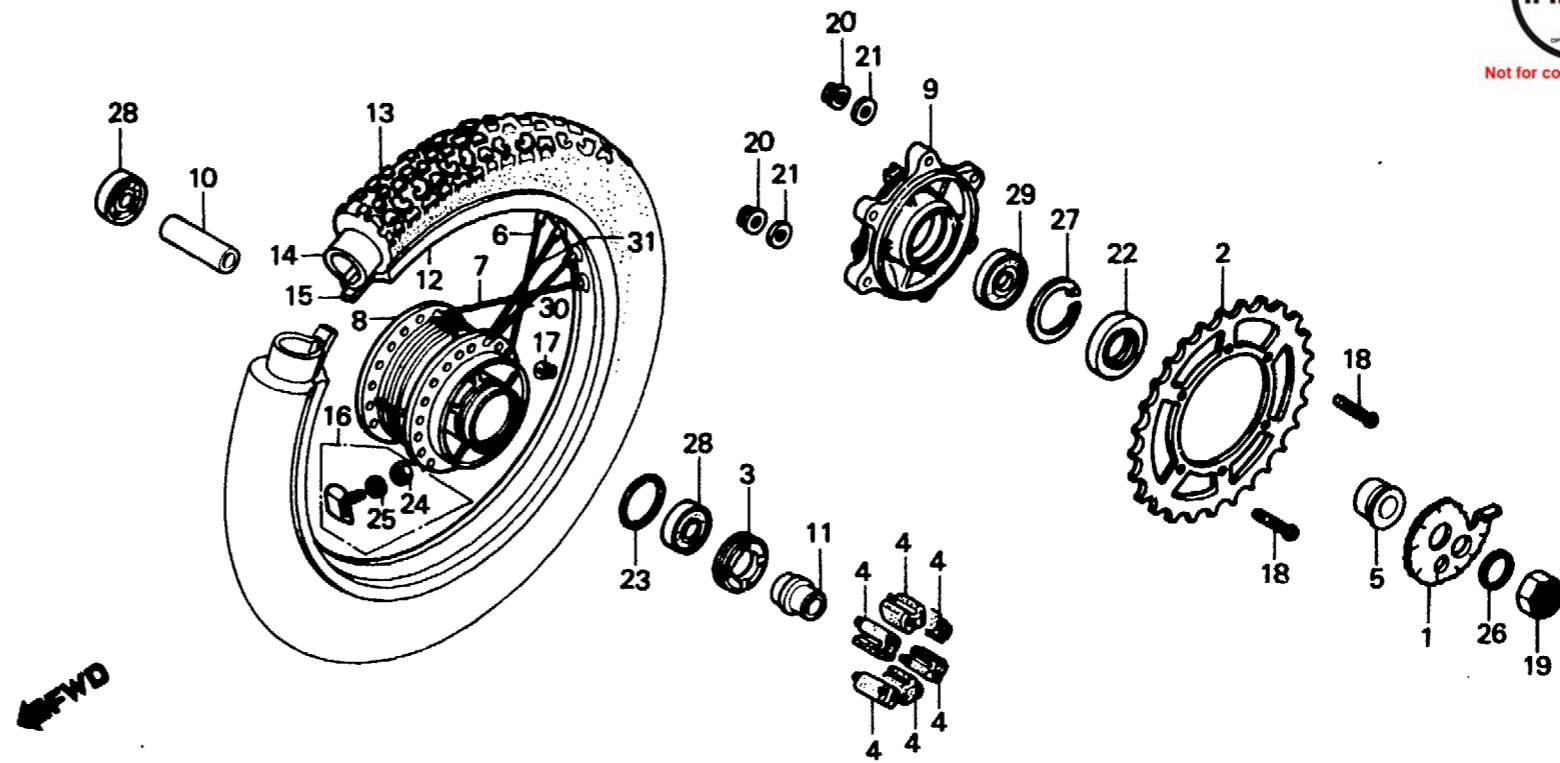
F-11-1

**Rear wheel
(XL500Rc)**

**Roue arrière
(XL500Rc)**

**Hinterrad
(XL500Rc)**

**Rueda trasera
(XL500Rc)**



BKB7-9

Service item	F.R.T.	Ref. No.	Part No.	Description	Reqd. No.				Serial No.	Area code
					Sz	XL500 Sa	Sa	Rc		
		24	94001-08000-0S	NUT, HEX., 8MM					1	
		25	94111-08000	WASHER, SPRING, 8MM					1	
		26	94111-16000	WASHER, SPRING, 16MM					1	
		27	94520-47000	CIRCLIP, INTERNAL, 47					1	
		28	96140-62030-10	BEARING, RADIAL BALL, 6203					2	
		29	96140-62040-10	BEARING, RADIAL BALL, 6204U					1	
		30	97820-69160-00	SPOKE SET, BS8X160					9	
		31	97873-69149-00	SPOKE SET, BS8X154.5					9	

L 6

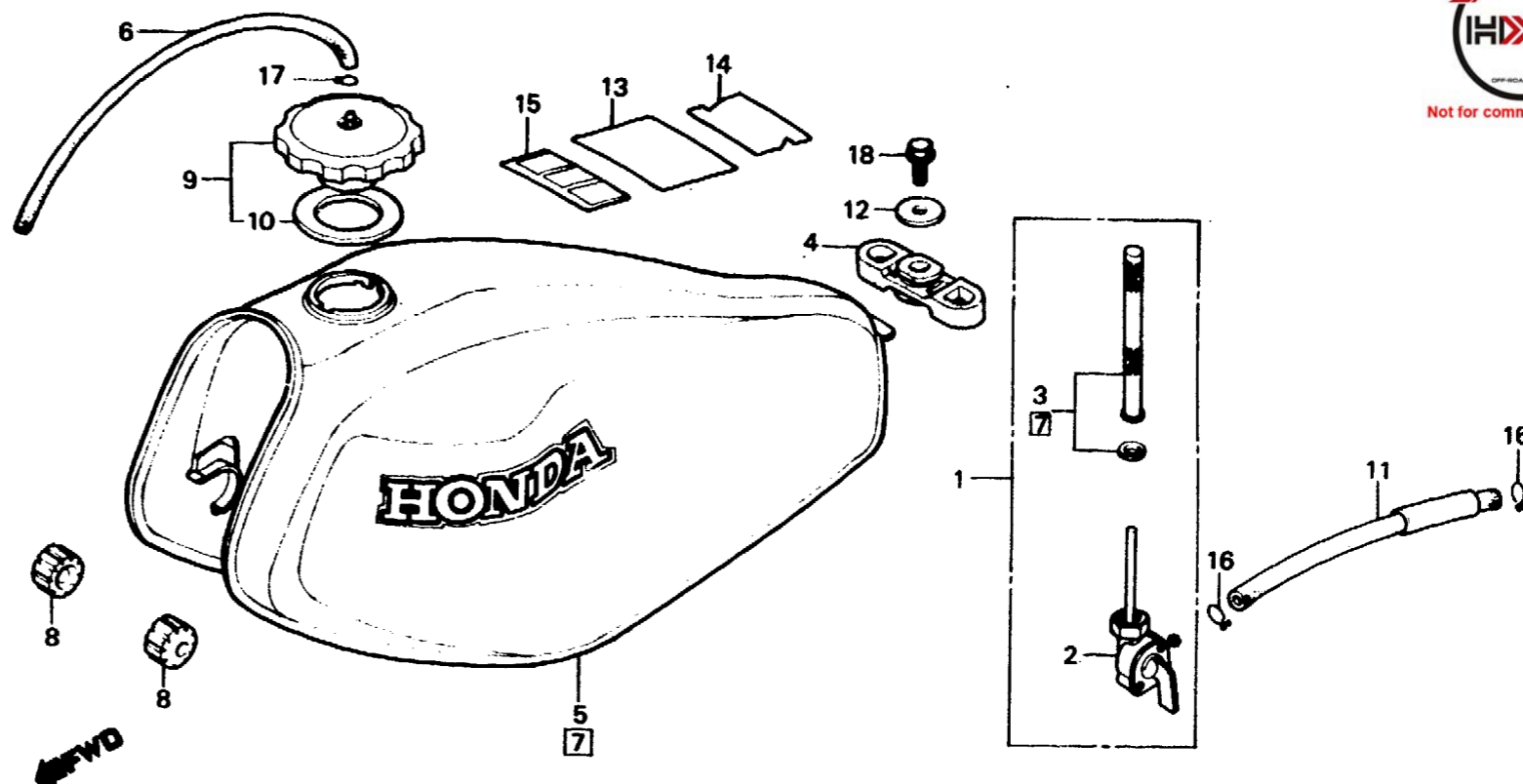
F-12

Fuel tank
(XL500Sz·SA·SB)

Réservoir d'essence
(XL500Sz·SA·SB)

Benzintank
(XL500Sz·SA·SB)

Tanque de combustible
(XL500Sz·SA·SB)



Not for commercial use

B435-14

Service item	F.R.T.	Ref. No.	Part No.	Description	Reqd. No.				Serial No.	Area code
					Sz	XL500 SA	SA	Rc		
COCK ASSY., FUEL INC. RELATIVE PART TANK SET, FUEL	0.2	1	16950-434-005	COCK ASSY., FUEL	1	1	1			
	0.3	2	16951-434-005	BODY COMP., COCK	1	1	1			
		3	16952-434-005	SCREEN SET, FUEL STRAINER	1	1	1			
		4	17509-429-000	RUBBER, RR. TANK	1	1	1			
		5	17520-435-000ZA	TANK SUB ASSY., FUEL *R-23*	1					
			17520-435-000ZB	TANK SUB ASSY., FUEL *NH-24*	1				B, E, ED, F, 1G, 2G	
		6	17521-429-000	TUBE, FUEL CAP BREATHER	1	1	1			
		7	17540-435-770ZA	TANK SET, FUEL *R-33*		1			CM	
			17540-435-920ZA	TANK SET, FUEL *R-23*		1			B, DK, DM, E, ED, F, SA, SD, U 1G, 2G	
			17540-435-920ZB	TANK SET, FUEL *NH-24*		1			B, DK, DM, E, ED, F, SA, SD, U 1G, 2G	
			17540-435-730ZA	TANK SET, FUEL *R-110*			1		CM	

L 7

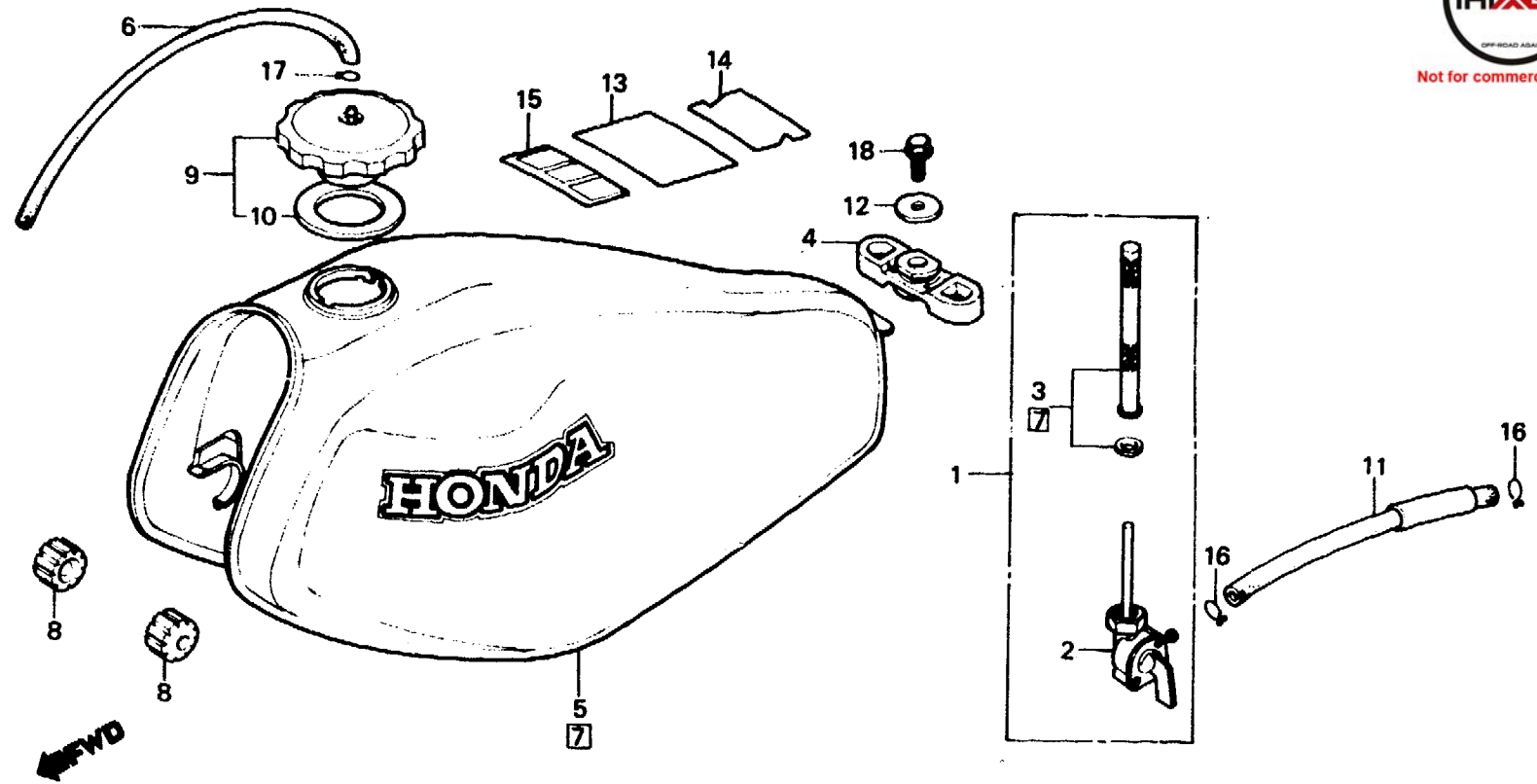
F-12

Fuel tank
(XL500Sz·SA·SB)

Réservoir d'essence
(XL500Sz·SA·SB)

Benzintank
(XL500Sz·SA·SB)

Tanque de combustible
(XL500Sz·SA·SB)



B435-14

Service item	F.R.T.	Ref. No.	Part No.	Description	Reqd. No.				Serial No.	Area code
					Sz	SA	SB	Rc		
			175A1-435-760ZA	TANK SET, FUEL *R-110*				1		B,DK,DM,E,ED,F,SA,SD,U 1G,2G
			175A1-435-760ZB	TANK SET, FUEL *NH-110M-U*				1		B,DK,DM,E,ED,F,SA,SD,U 1G,2G
			175A1-435-760ZC	TANK SET, FUEL *NH-111*				1		B,DK,DM,E,ED,F,SA,SD,U 1G,2G
		8	17611-429-000	CUSHION, FUEL TANK FR.	2	2	2			
		9	17620-434-010	CAP COMP., FUEL FILLER	1	1				
			17620-435-730	CAP COMP., FUEL TANK				1		
		10	17631-434-310	PACKING, FUEL FILLER CAP	1	1				
			17632-435-730	PACKING, FUEL FILLER CAP				1		
		11	17681-429-000	TUBE, FUEL	1	1	1			
		12	64347-001-000	WASHER, FR. COVER SETTING	1					
			90136-428-870	WASHER, TANK SETTING				1	1	

L 8

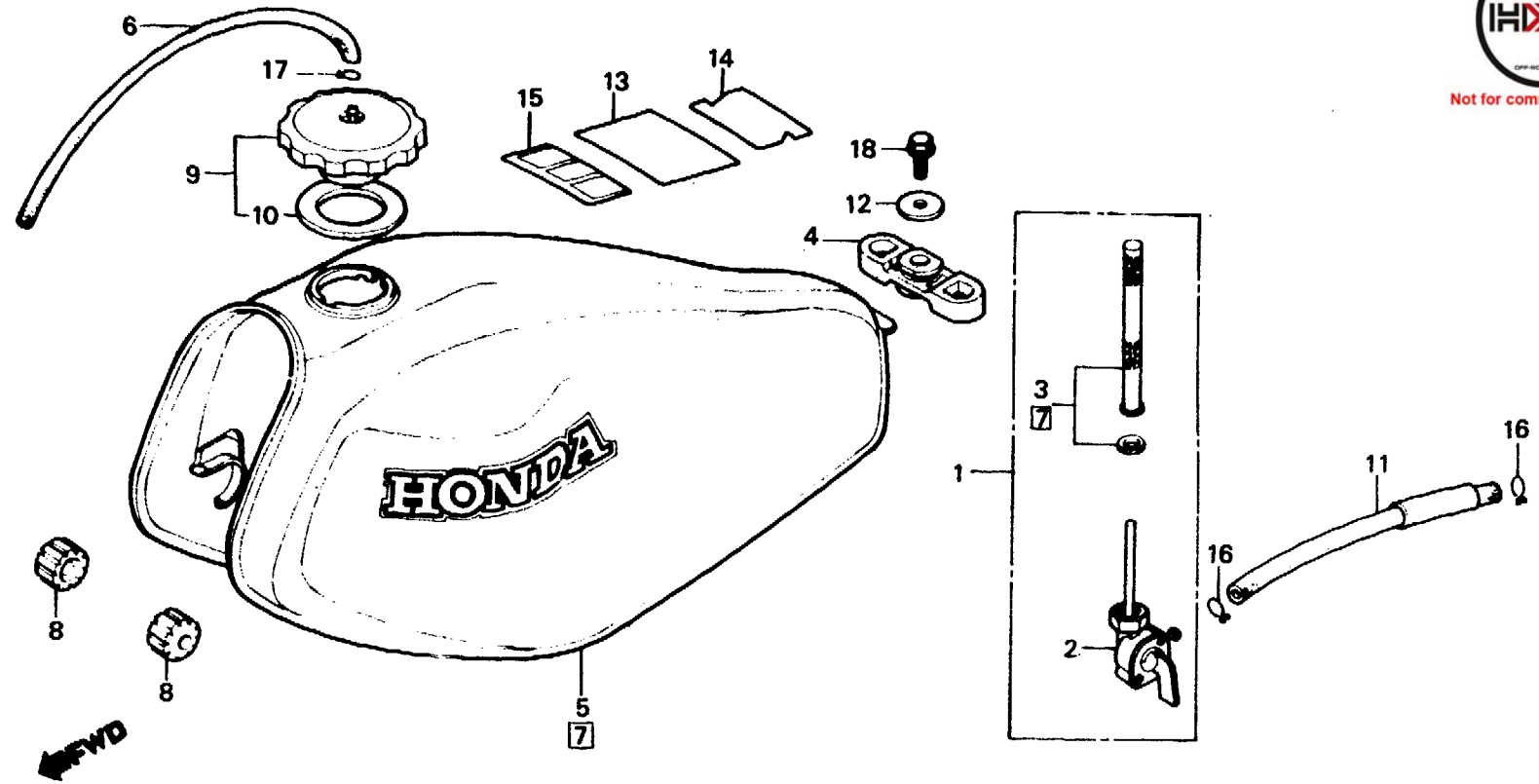
F-12

Fuel tank
(XL500Sz·SA·SB)

Réservoir d'essence
(XL500Sz·SA·SB)

Benzintank
(XL500Sz·SA·SB)

Tanque de combustible
(XL500Sz·SA·SB)



B435-14

Service item	F.R.T.	Ref. No.	Part No.	Description	Reqd. No.				Serial No.	Area code
					Sz	SA	Sb	Rc		
		13	87512-387-770	MARK, ACCESSORIES & LOADING CAUTION	1				CM	
			87512-435-770	MARK, ACCESSORIES & LOADING CAUTION		1	1		CM	
		14	87560-KB1-620ZA	MARK, DRIVE CAUTION *NH-0 (FRENCH)			1		F	
		15	87560-375-680B	MARK, DRIVE CAUTION	1	1			CM	
			87560-428-620ZA	MARK, DRIVE CAUTION (FRENCH)	1	1	1		F	
			87560-181-760ZA	MARK, DRIVE CAUTION *NH-1*	1	1			CM	
			87560-181-760ZB	MARK, DRIVE CAUTION *NH-0*			1		B,DK,DM,E,ED,F,SA,SD,U 1G,2G	
		16	95002-02100	CLIP B10, TUBE	2	2	2			
		17	95002-50000	CLIP C9, TUBE		1	1			
		18	95700-06012-00	BOLT, FLANGE, 6X12	1	1	1			

1981.12.20

E

L8

L 9

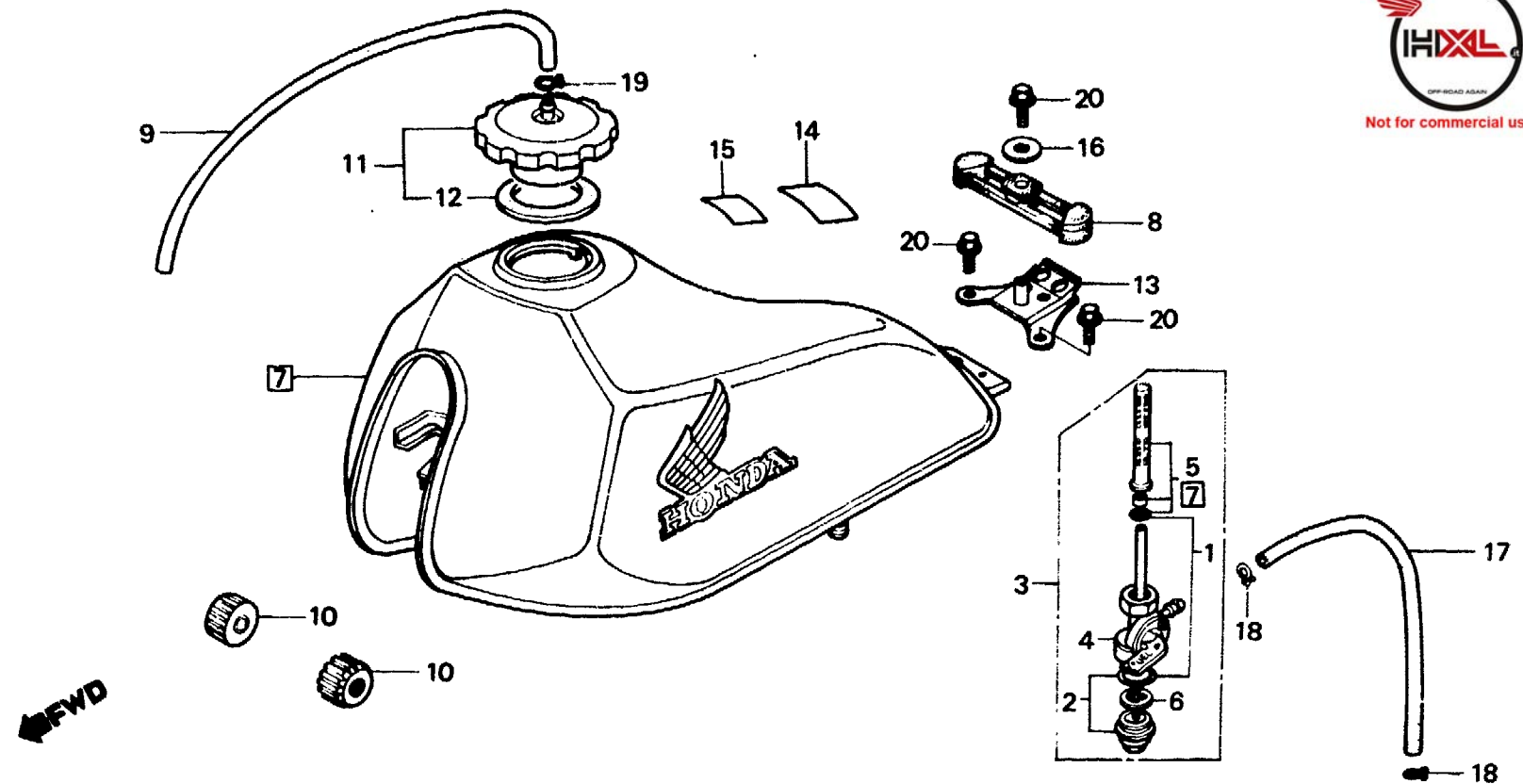
F-12-1

**Fuel tank
(XL500Rc)**

**Réservoir d'essence
(XL500Rc)**

**Benzintank
(XL500Rc)**

**Tanque de combustible
(XL500Rc)**



BMC4-9

Service item	F.R.T.	Ref. No.	Part No.	Description	Reqd. No.				Serial No.	Area code
					Sz	SA	SA	Rc		
COCK ASSY., FUEL	0.2	1	16080-471-831	O-RING						
BODY COMP., COCK		2	16081-471-831	CUP, FUEL STRAINER						
SCREEN SET, FUEL STRAINER		3	16950-KB7-005	COCK ASSY., FUEL						
CUP, FILTER	0.1	4	16951-KB7-005	BODY COMP., COCK						
INC. RELATIVE PART		5	16952-449-751	SCREEN SET, FUEL STRAINER						
		6	16959-471-831	CUP, FILTER						
		7	175A1-MC4-000ZA	TANK SET, FUEL *R-110*						B,DK,DM,E,ED,F,IT,SA,SD
			175B1-MC4-000ZA	TANK SET, FUEL *NH-24*						U,1G,2G
			175C1-MC4-000ZA	TANK SET, FUEL *NH-104M-U*						B,DK,DM,E,ED,F,IT,SA,SD
										U,1G,2G
		8	17504-MC4-000	RUBBER, FUEL TANK RR.						
		9	17521-429-000	TUBE, FUEL CAP BREATHER						
		10	17611-429-000	CUSHION, FUEL TANK FR.						

1981.12.20

E

L9

L 10

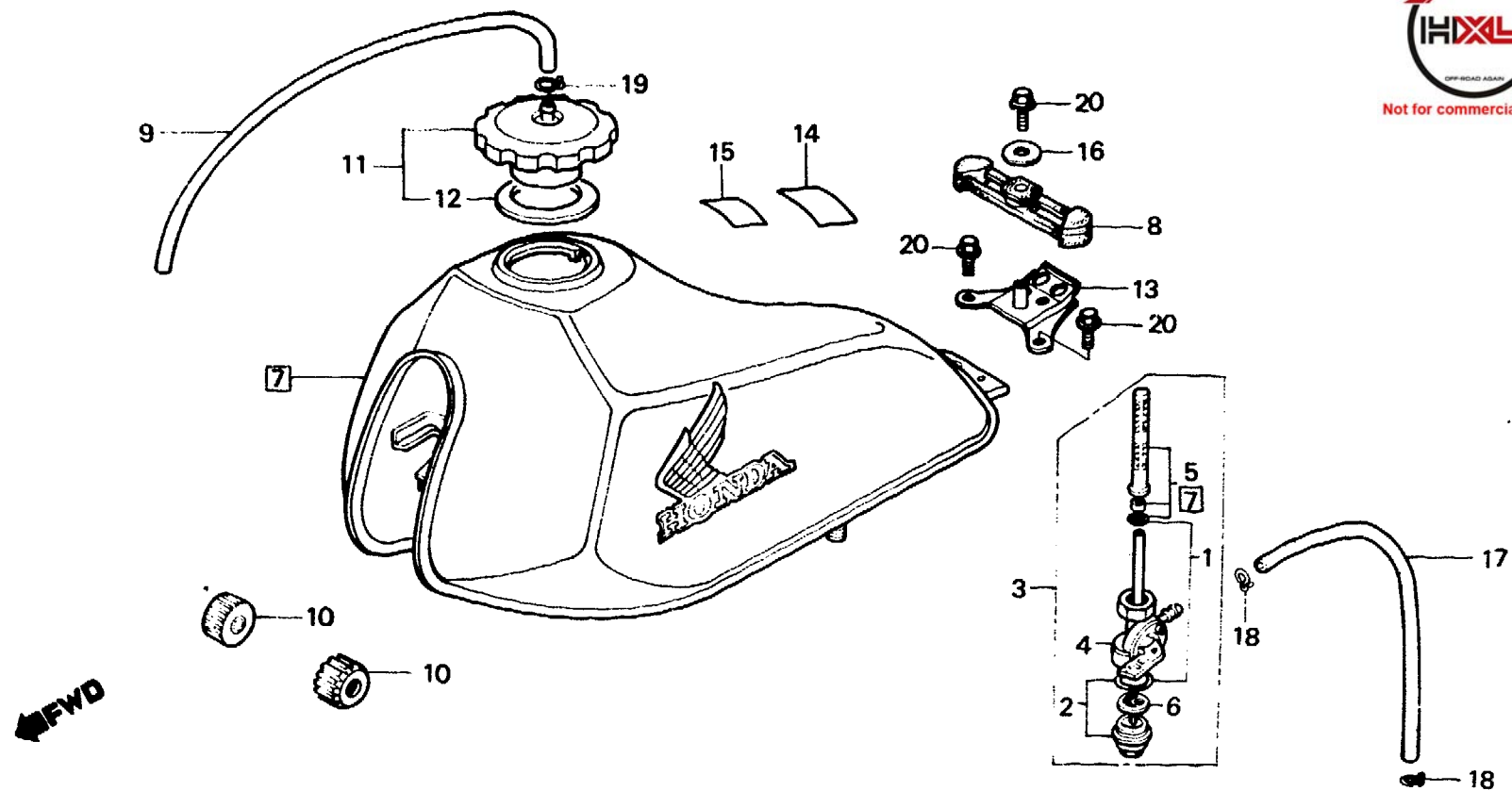
F-12-1

**Fuel tank
(XL500Rc)**

**Réservoir d'essence
(XL500Rc)**

**Benzintank
(XL500Rc)**

**Tanque de combustible
(XL500Rc)**



BMC4-9

Service item	F.R.T.	Ref. No.	Part No.	Description	Reqd. No.				Serial No.	Area code
					Sz	SA	Se	Rc		
		11	17620-435-730	CAP COMP., FUEL TANK				1		
		12	17632-435-730	PACKING, FUEL FILLER CAP				1		
		13	50133-MC4-000	STAY, TANK SETTING				1		
		14	87512-435-770	MARK, ACCESSORIES & LOADING CAUTION				1		CM
		15	87560-KB1-620ZB	MARK, DRIVE CAUTION *NH-1*				1		F
			87560-181-760ZA	MARK, DRIVE CAUTION *NH-1*				1		B,CM,DK,DM,E,ED,IT,SA,SD U,1G,2G
		16	90136-428-870	WASHER, TANK SETTING				1		
		17	91461-MC4-000	TUBE, FUEL, 5.3X155				1		
		18	95002-02100	CLIP B10, TUBE				2		
		19	95002-50000	CLIP C9, TUBE				1		
		20	95700-06012-00	BOLT, FLANGE, 6X12				3		

1981.12.20

E

L10

L 11

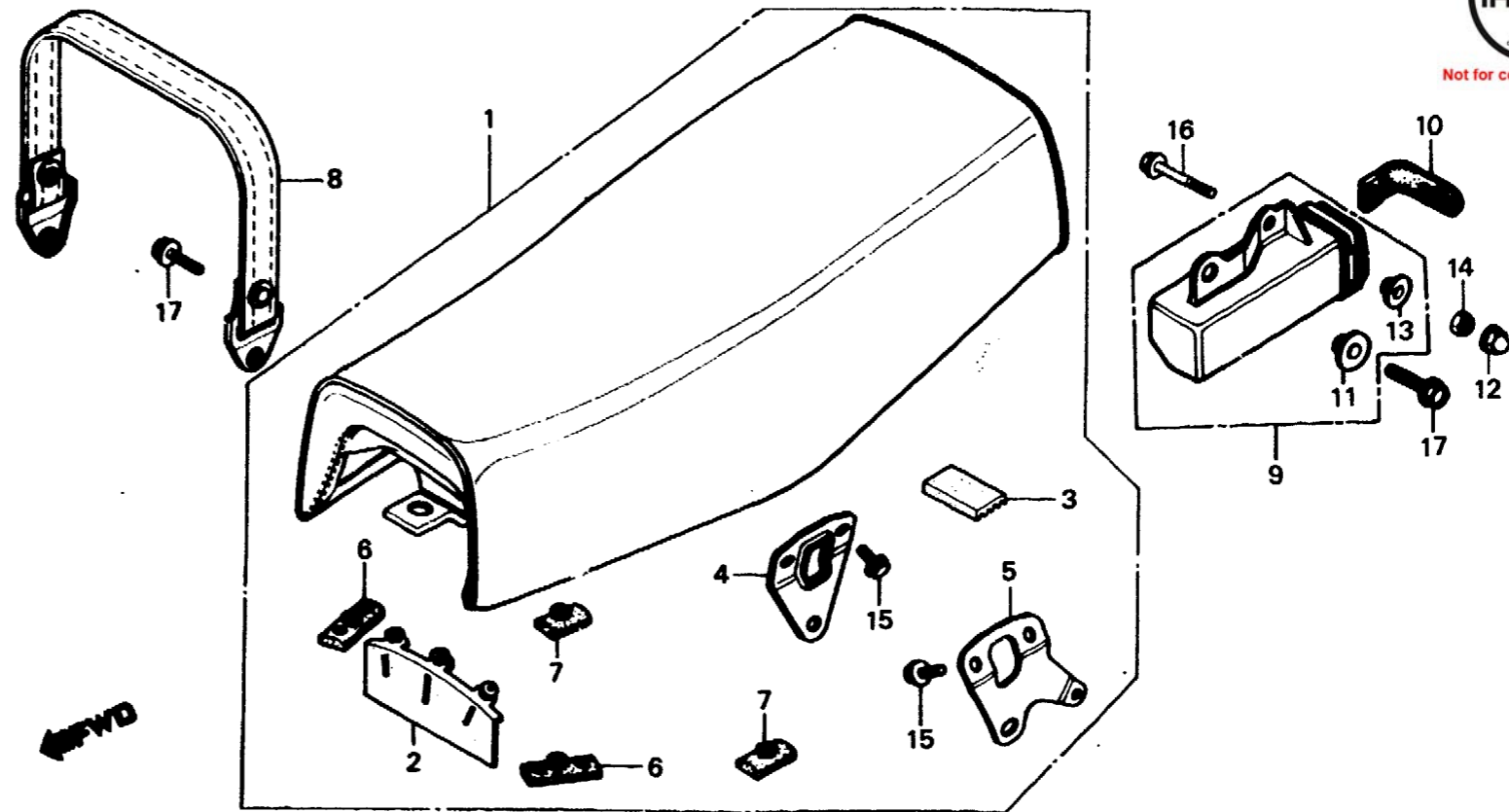
F-13

Seat
(XL500Sz·SA·SB)

Siege
(XL500Sz·SA·SB)

Sitz
(XL500Sz·SA·SB)

Asiento
(XL500Sz·SA·SB)



B435-15

Service item	F.R.T.	Ref. No.	Part No.	Description	Reqd. No.				Serial No.	Area code
					Sz	SA	Sa	Rc		
SEAT ASSY. INC. RELATIVE PART BOX, TOOL	0.1	1	77200-435-610	SEAT ASSY.	1					ED,1G,2G
			77200-435-670	SEAT ASSY.	1					CM,DK,DM,E,F,SA,U
			77200-435-000	SEAT ASSY.	1	1	1			B
			77200-435-770	SEAT ASSY.		1	1			CM,DK,DM,E,F,SA,U
			77200-435-850	SEAT ASSY.		1	1			ED,SD,1G,2G
		2	77201-429-000	RUBBER, SEAT	1	1	1			CM,DK,DM,E,ED,F,SA,SD,U
										1G,2G
		3	77201-435-000	RUBBER, SEAT CUSHION		1	1			B,CM,DK,DM,E,F,SA,U
		4	77202-429-000	STAY A, SEAT SETTING	1	1	1			B,CM,DK,DM,E,F,SA,U
			77202-435-610	STAY, R. SEAT SETTING	1	1	1			ED,SD,1G,2G
		5	77203-435-000	STAY A, L. SEAT SETTING	1	1	1			B,CM,DK,DM,E,F,SA,U
			77203-435-610	STAY, L. SEAT SETTING	1	1	1			ED,SD,1G,2G
		6	77204-429-000	CUSHION A, SEAT	2	2	2			
		7	77205-429-000	CUSHION B, SEAT	2	2	2			
		8	77210-435-000	BELT COMP., SEAT	1	1	1			B
	77210-435-670	BELT COMP., SEAT	1	1	1			CM,DK,DM,E,F,SA,U		
9	83501-428-300	BOX, TOOL	1	1	1					

1981.12.20

E

L11

L 12

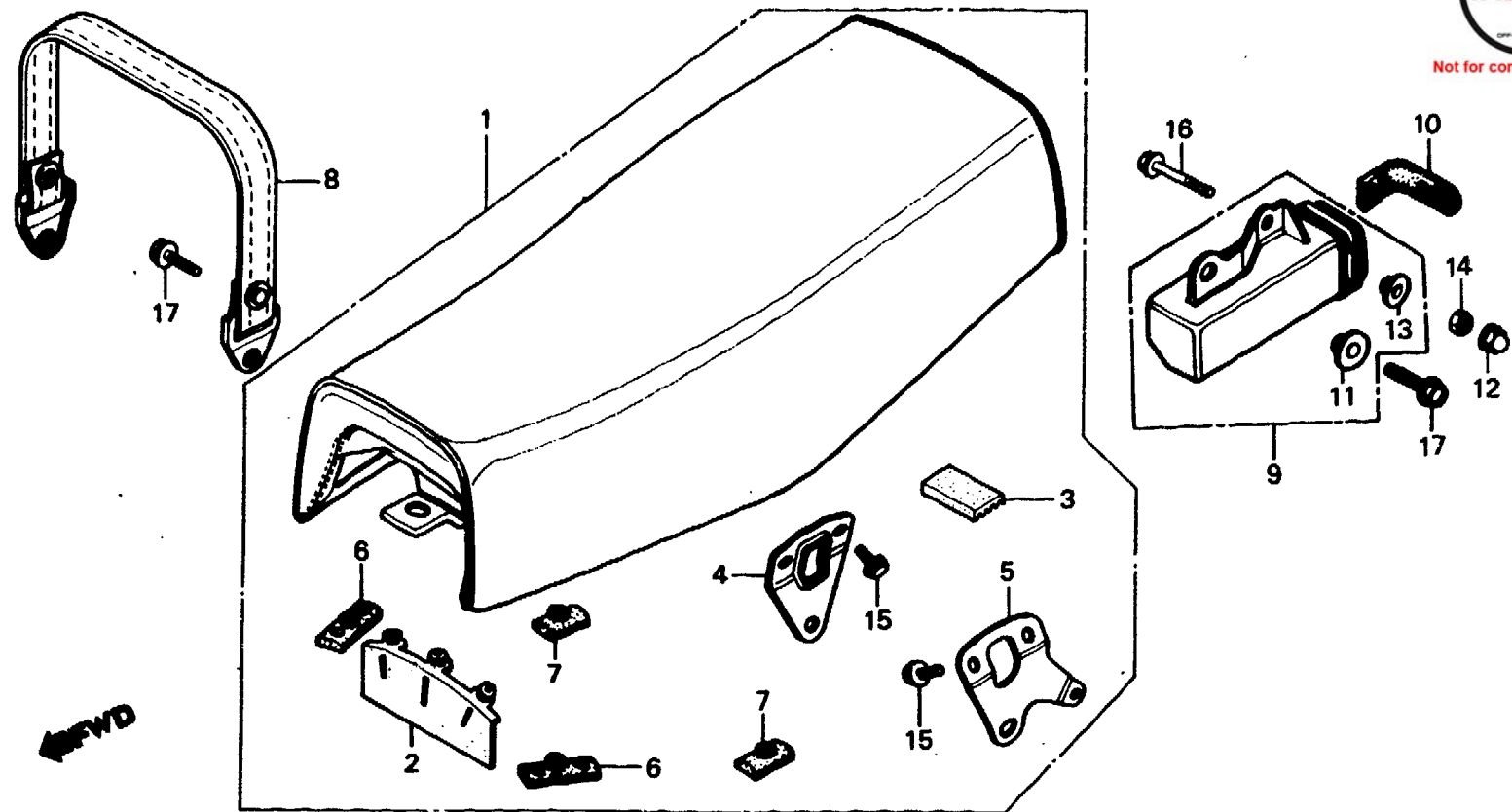
F-13

**Seat
(XL500Sz·SA·SB)**

**Siege
(XL500Sz·SA·SB)**

**Sitz
(XL500Sz·SA·SB)**

**Asiento
(XL500Sz·SA·SB)**



B435-15

Service item	F.R.T.	Ref. No.	Part No.	Description	Reqd. No.				Serial No.	Area code
					Sz	XL500 SA	Sb	Rc		
		10	83510-428-000	BAND, TOOL BOX	1	1	1			
		11	83515-428-000	COLLAR, TOOL BOX	1	1	1			
		12	90201-415-000	NUT, CAP, 6MM	1	1	1			
		13	90512-300-000	WASHER, 6X20	1	1	1			
		14	94001-06000	NUT, HEX., 6MM	1	1	1			
		15	95700-06010-08	BOLT, FLANGE, 6X10	4	4	4			
		16	95700-06020-00	BOLT, FLANGE, 6X20	1	1	1			
		17	95700-08020-00	BOLT, FLANGE, 8X20	2	2	2			

L 13

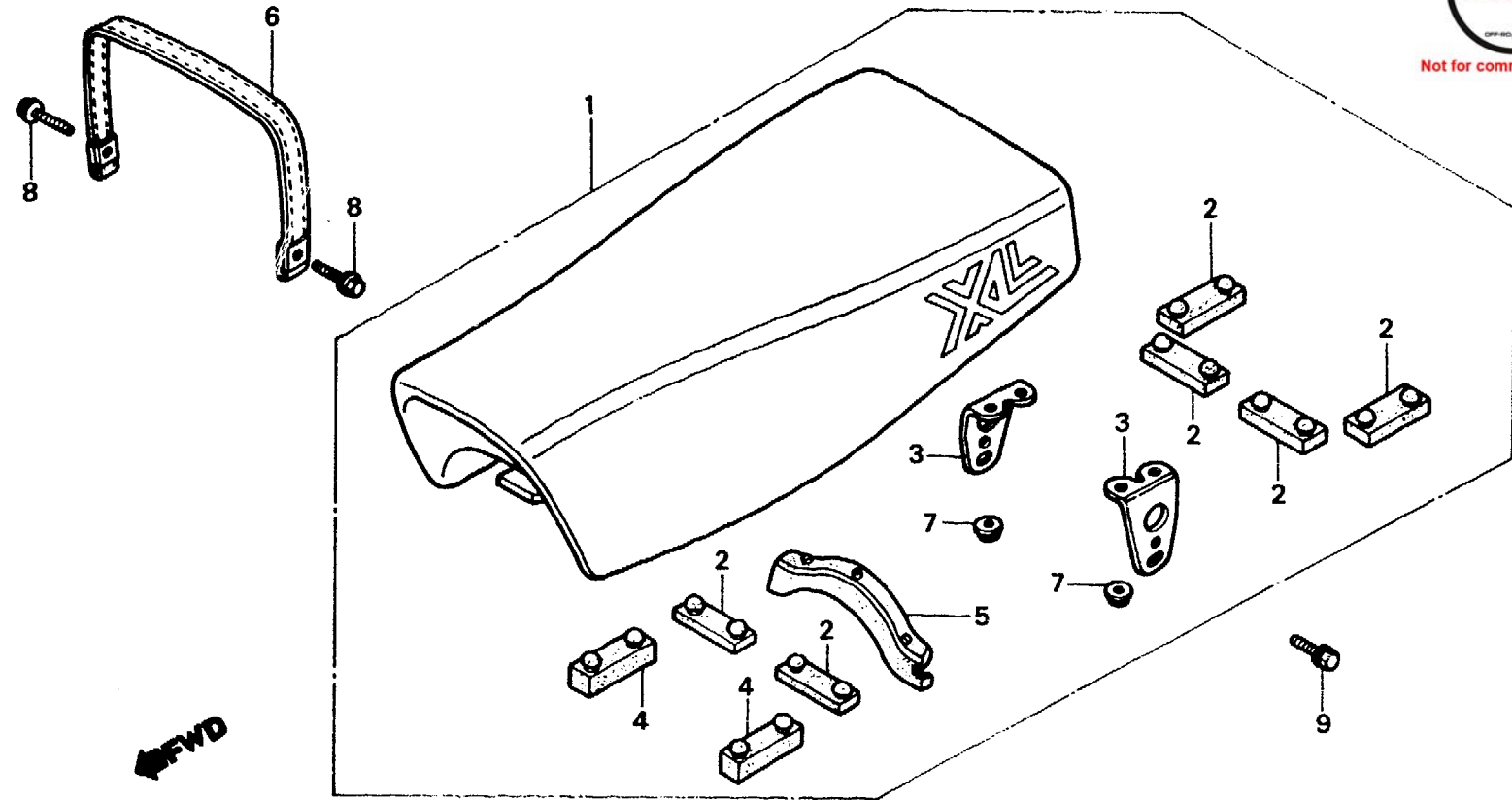
F-13-1

**Seat
(XL500Rc)**

**Siege
(XL500Rc)**

**Sitz
(XL500Rc)**

**Asiento
(XL500Rc)**



BMC4-10

Service item	F.R.T.	Ref. No.	Part No.	Description	Reqd. No.				Serial No.	Area code
					Sz	SA	SA	Rc		
SEAT ASSY., DOUBLE INC. RELATIVE PART	0.1	1	77200-MC4-610	SEAT ASSY., DOUBLE				1		B,ED,IT,SD,1G,2G
			77200-MC4-670	SEAT ASSY., DOUBLE				1		CM,DK,DM,E,F,SA,U
		2	77204-312-000	RUBBER, SEAT SETTING				6		
		3	77205-MC4-000	STAY, SEAT SETTING				2		
		4	77205-286-000	RUBBER B, SEAT SETTING				2		
		5	77207-MC4-000	RUBBER, SEAL				1		
		6	77210-MC4-670	BELT COMP., SEAT				1		B,CM,DK,DM,E,ED,F,IT,SA SD,U
		7	94050-06080	NUT, FLANGE, 6MM				4		
		8	95700-06022-08	BOLT, FLANGE, 6X22				2		B,CM,DK,DM,E,ED,F,IT,SA SD,U
9	95700-08016-00	BOLT, FLANGE, 8X16				2				