

J 4



F-7

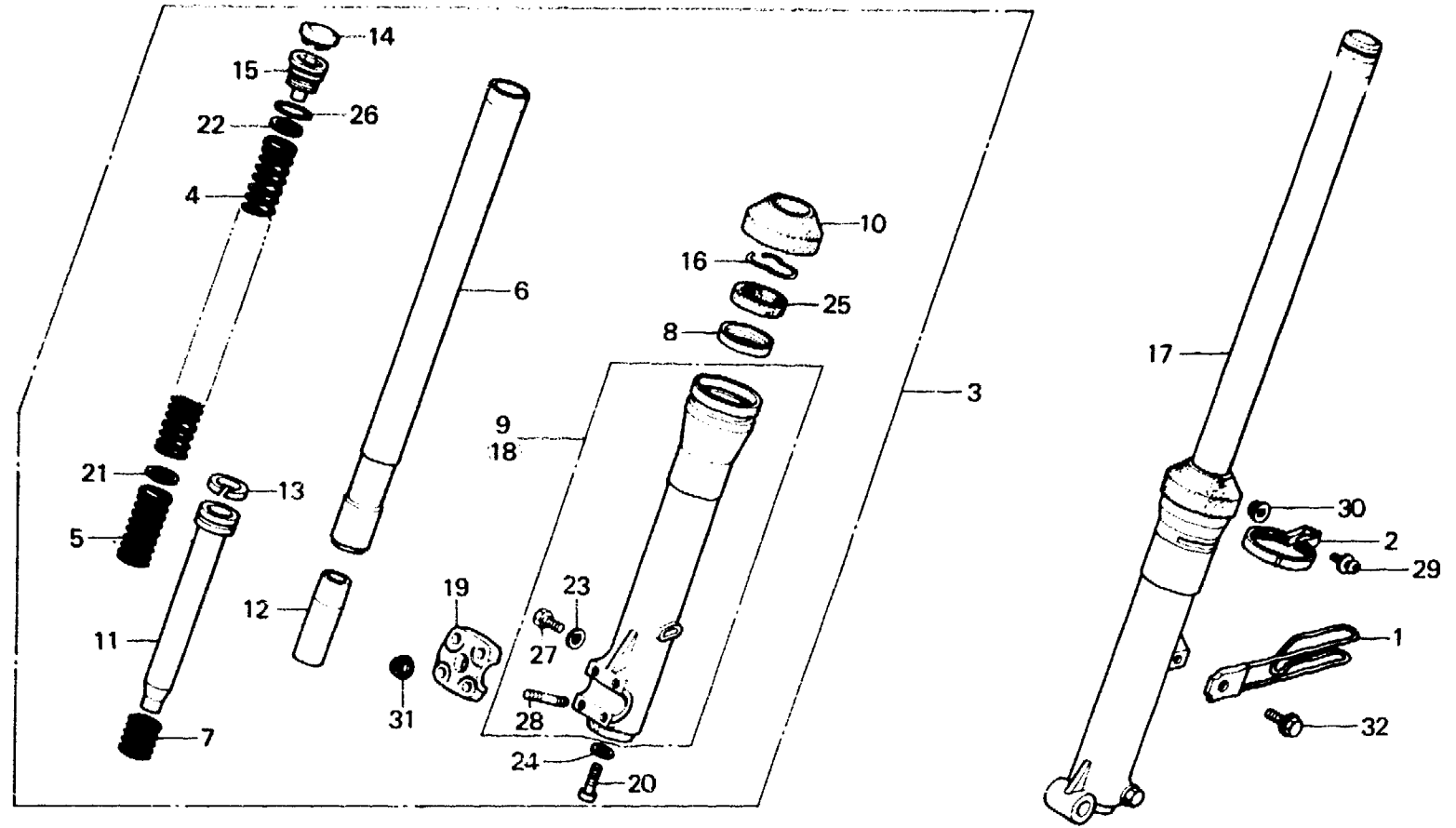
Front fork
(XL500Sz·SA·SB·CM)

Fourche avant
(XL500Sz·SA·SB·CM)

Vordergabel
(XL500Sz·SA·SB·CM)

Horquilla delantero
(XL500Sz·SA·SB·CM)

← FWD



B435-9

Service item	F.R.T.	Ref. No.	Part No.	Description	Reqd. No.				Serial No.	Area code
					Sz	XL500	SA	SB		
FORK ASSY., FR. (ADD 0.2 FOR EACH.)	0.5	1	44832-429-000	CLAMP, SPEEDOMETER CABLE	1					B,DK,DM,E,ED,F,SA,SD,U 1G,2G
			44832-428-870	CLAMP, SPEEDOMETER		1				
SPRING A, FR. CUSHION	0.2					1	1			CM
PIPE COMP., FR. FORK (ADD 0.3 FOR EACH.)	0.7	2	45469-434-000	GUIDE C, BRAKE CABLE	1	1				B,DK,DM,E,ED,F,SA,SD,U 1G,2G
OIL SEAL, 35X48X11 (ADD 0.4 FOR EACH.)						1	1	1		CM
CASE COMP., BOTTOM (ADD 0.3 FOR EACH.)	0.8	3	51400-435-003	FORK ASSY., R. FR.	1				5012697	B,DK,DM,E,ED,F,SA,U,1G CM,2G
			51400-435-013	FORK ASSY., R. FR.	1				5012698	CM
			51400-435-701	FORK ASSY., R. FR.	1				5104836	B,DK,DM,E,ED,F,SA,U,1G B,DK,DM,E,ED,F,SA,SD,U 1G,2G
		4	51401-435-003	SPRING A, FR. CUSHION	2	2				CM
			51401-435-701	SPRING A, FR. CUSHION			2			CM
		5	51402-435-003	SPRING B, FR. CUSHION	2	2				CM
			51402-435-701	SPRING B, FR. CUSHION			2			CM

1981.12.20

E

J4



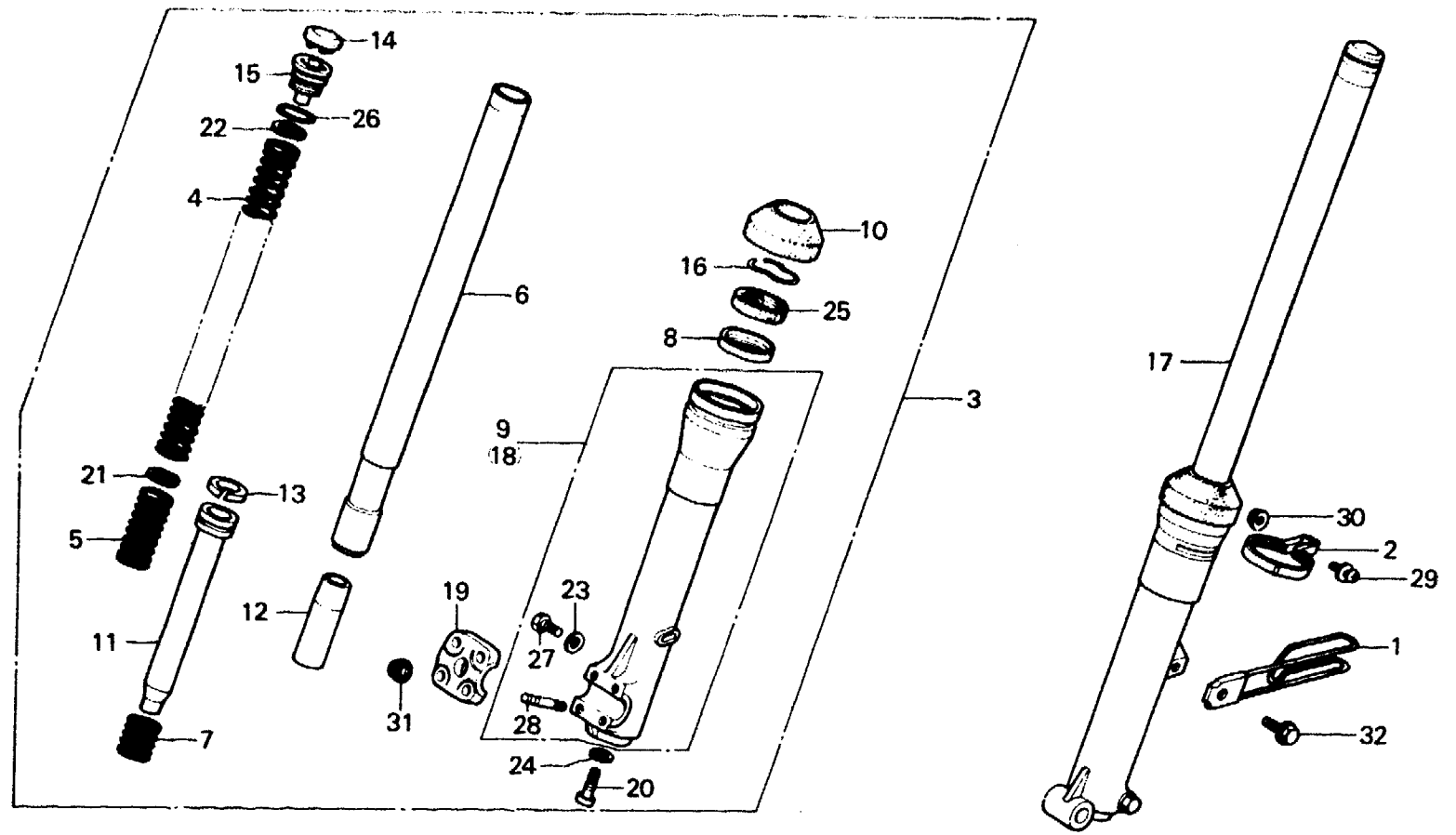
F-7

**Front fork
(XL500Sz·SA·SB·CM)**

**Fourche avant
(XL500Sz·SA·SB·CM)**

**Vordergabel
(XL500Sz·SA·SB·CM)**

**Horquilla delantero
(XL500Sz·SA·SB·CM)**



B435-9

Service item	F.R.T.	Ref. No.	Part No.	Description	Reqd. No.				Serial No.	Area code
					Sz	XL500	SA	SA		
		6	51410-429-000	PIPE COMP., FR. FORK	2	2				B,DK,DM,E,ED,F,SA,SD,U 1G,2G CM
		7	51412-340-000	SPRING, FR. FORK REBOUND	2	2	2			B,DK,DM,E,ED,F,SA,SD,U 1G,2G CM
		8	51412-429-003	RING, BACK UP	2	2	2			B,DK,DM,E,ED,F,SA,SD,U 1G,2G CM
		9	51420-435-003	CASE COMP., R. BOTTOM	2	2	2			B,DK,DM,E,ED,F,SA,SD,U 1G,2G CM
		10	51425-340-000	DUST SEAL, FR. FORK	1	1	1		5012697	B,DK,DM,E,ED,F,SA,U,1G CM,2G
			91254-435-003	DUST SEAL, FR. FORK	2	2			5104835	CM
					2	2			5012698	B,DK,DM,E,ED,F,SA,U,1G B,DK,DM,E,ED,F,SA,SD,U 1G,2G
					2	2			5104836	CM CM



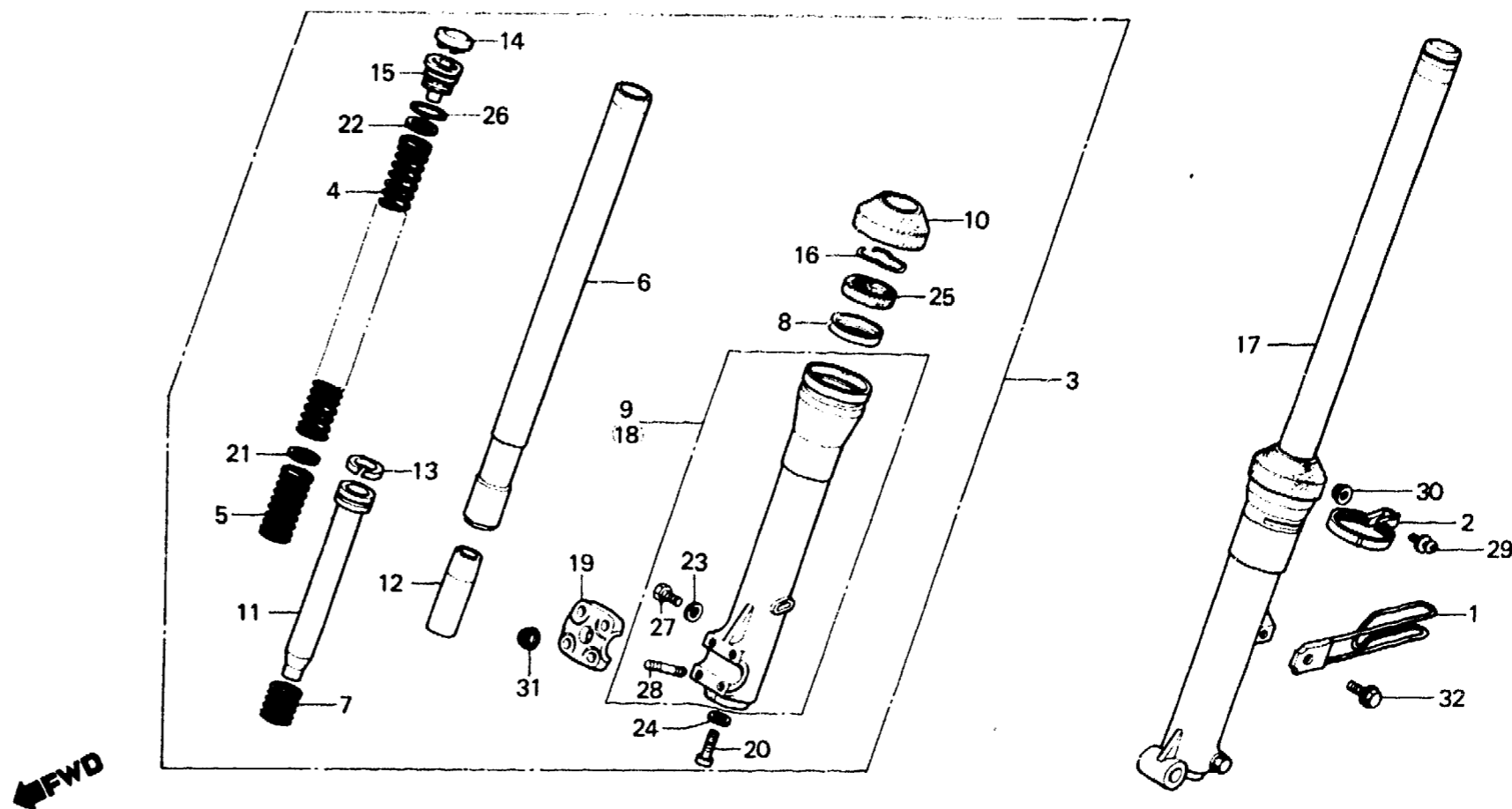
F-7

**Front fork
(XL500Sz·SA·SB·CM)**

**Fourche avant
(XL500Sz·SA·SB·CM)**

**Vordergabel
(XL500Sz·SA·SB·CM)**

**Horquilla delantero
(XL500Sz·SA·SB·CM)**



B435-9

Service item	F.R.T.	Ref. No.	Part No.	Description	Reqd. No.				Serial No.	Area code
					Sz	SA	Sa	Rc		
		11	51430-428-003	PIPE, BOTTOM	2	2				CM
			51430-428-871	PIPE, SEAT			2			B,DK,DM,E,ED,F,SA,SD,U
		12	51432-371-003	PIECE, OIL LOCK	2	2				1G,2G
					2	2	2			CM
		13	51437-400-771	RING, PISTON	2	2				B,DK,DM,E,ED,F,SA,SD,U
					2	2				1G,2G
					2	2	2			CM
		14	51449-428-003	CAP, FORK PIPE	2	2				B,DK,DM,E,ED,F,SA,SD,U
					2	2				1G,2G
					2	2	2			CM
		15	51454-428-003	BOLT, FR. FORK	2	2				B,DK,DM,E,ED,F,SA,SD,U
					2	2				1G,2G
					2	2	2			CM
		16	51466-375-000	RING, OIL SEAL STOPPER	2	2				B,DK,DM,E,ED,F,SA,SD,U
					2	2				1G,2G
					2	2	2			CM
		17	51500-435-003	FORK ASSY., L. FR.	1				5012697	B,DK,DM,E,ED,F,SA,U,1G
					1					CM,2G
						1			5104835	CM



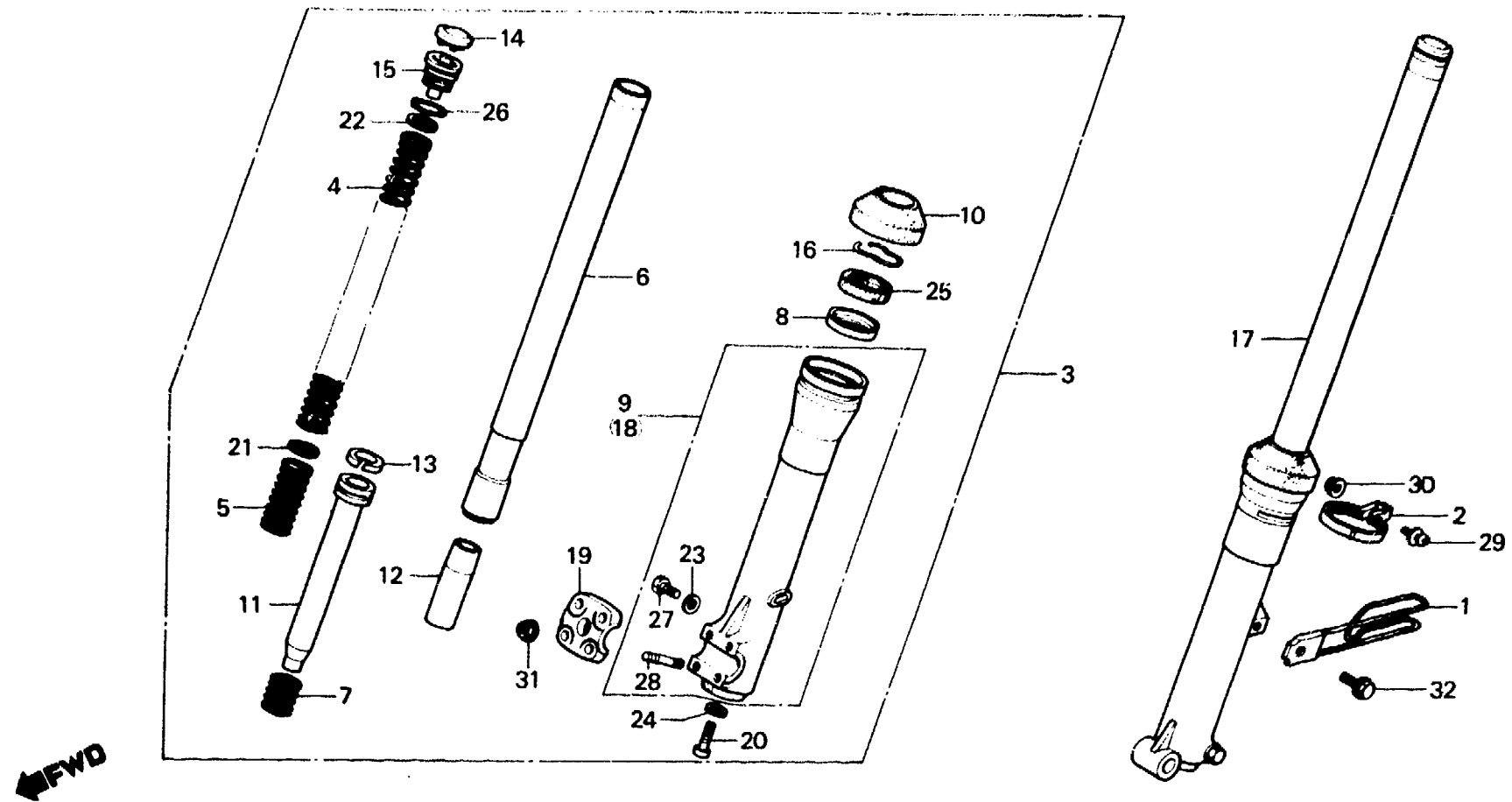
F-7

**Front fork
(XL500Sz·SA·SB·CM)**

**Fourche avant
(XL500Sz·SA·SB·CM)**

**Vordergabel
(XL500Sz·SA·SB·CM)**

**Horquilla delantero
(XL500Sz·SA·SB·CM)**



B435-9

Service item	F.R.T.	Ref. No.	Part No.	Description	Reqd. No.				Serial No.	Area code
					Sz	SA	Ss	Rc		
			51500-435-013	FORK ASSY., L. FR.	1				5012698	B,DK,DM,E,ED,F,SA,U,1G B,DK,DM,E,ED,F,SA,SD,U 1G,2G
			51500-435-701	FORK ASSY., L. FR.				1	5104836	CM
		18	51520-435-003	CASE COMP., L. BOTTOM	1	1				CM B,DK,DM,E,ED,F,SA,SD,U 1G,2G
		19	51634-429-000	HOLDER, AXLE	1	1	1			CM B,DK,DM,E,ED,F,SA,SD,U 1G,2G
		20	90116-283-010	BOLT, SOCKET, 8MM	1	1	1			CM B,DK,DM,E,ED,F,SA,SD,U 1G,2G
					2	2				CM
		21	90504-356-000	WASHER, 16MM	2	2				B,DK,DM,E,ED,F,SA,SD,U 1G,2G
		22	90504-425-003	WASHER, FR. FORK	2	2	2			CM B,DK,DM,E,ED,F,SA,SD,U 1G,2G
					2	2	2			CM

1981.12.20

E

J7

J 8



Not for commercial use

F-7

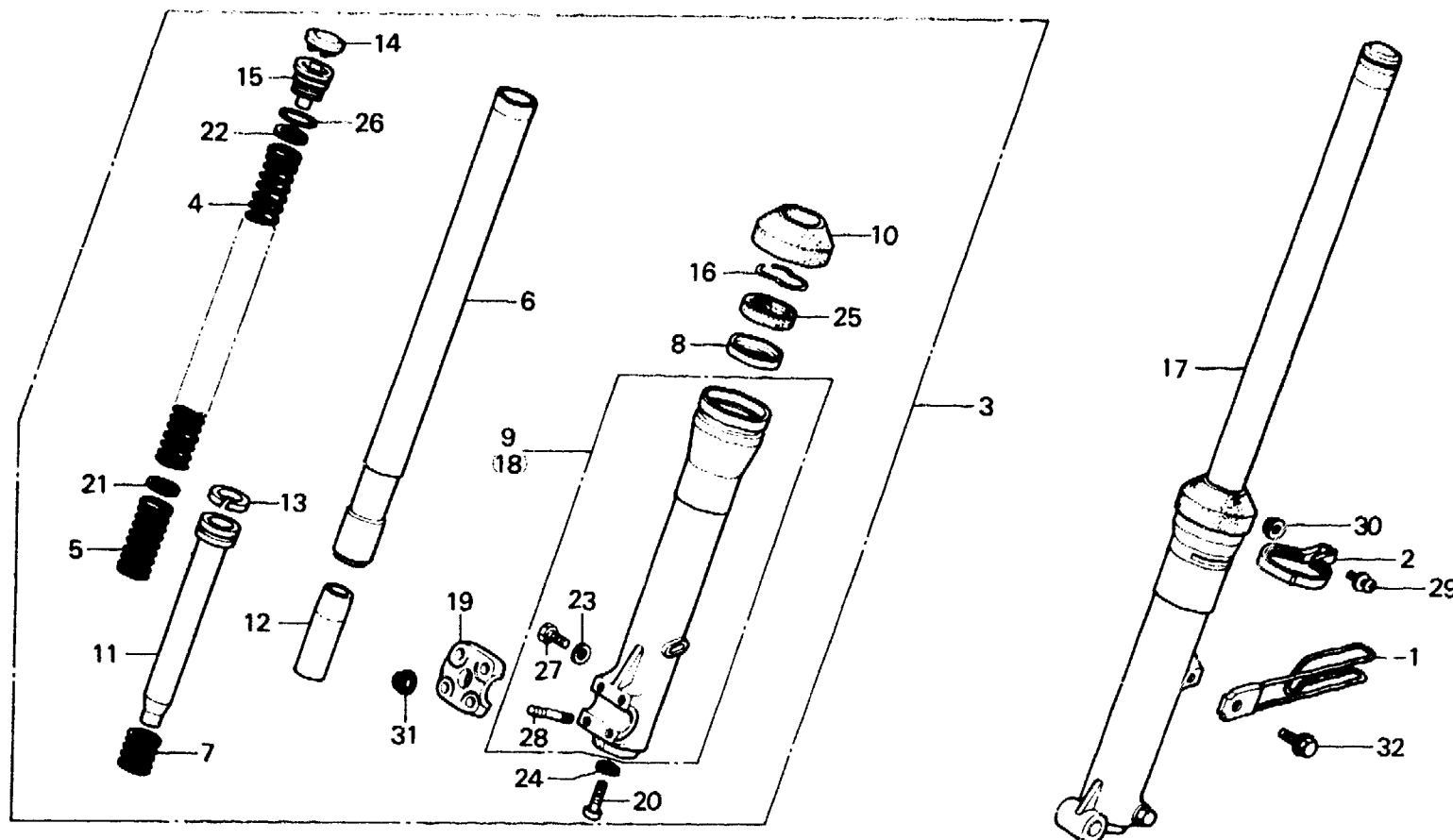
Front fork
(XL500Sz·SA·SB·CM)

Fourche avant
(XL500Sz·SA·SB·CM)

Vordergabel
(XL500Sz·SA·SB·CM)

Horquilla delantero
(XL500Sz·SA·SB·CM)

←FWD



B435-9

Service item	F.R.T.	Ref. No.	Part No.	Description	Reqd. No.				Serial No.	Area code
					Sz	XL500	SA	SB		
		23	90543-273-000	PACKING, FR. FORK DRAIN COCK	2	2				B,DK,DM,E,ED,F,SA,SD,U 1G,2G CM
		24	90544-283-000	WASHER, SPECIAL, 8MM	2	2	2			B,DK,DM,E,ED,F,SA,SD,U 1G,2G CM
		25	91255-434-003	OIL SEAL, 35X48X11	2	2	2			B,DK,DM,E,ED,F,SA,SD,U 1G,2G CM
		26	91356-428-003	O-RING, 25.7X28	2	2				B,DK,DM,E,ED,F,SA,SD,U 1G,2G CM
		27	92000-06008	BOLT, HEX., 6X8	2	2	2			B,DK,DM,E,ED,F,SA,SD,U 1G,2G CM
		28	92700-06035-0E	BOLT, STUD, 6X35	4	4	2			B,DK,DM,E,ED,F,SA,SD,U 1G,2G CM

1981.12.20

E

J8



F-7

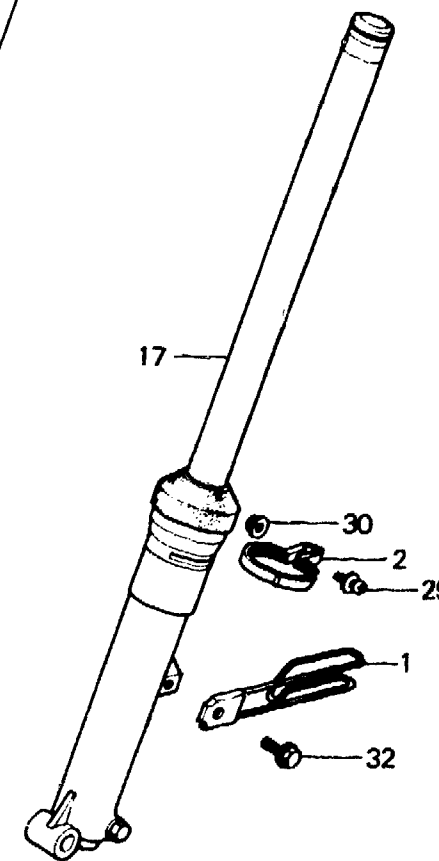
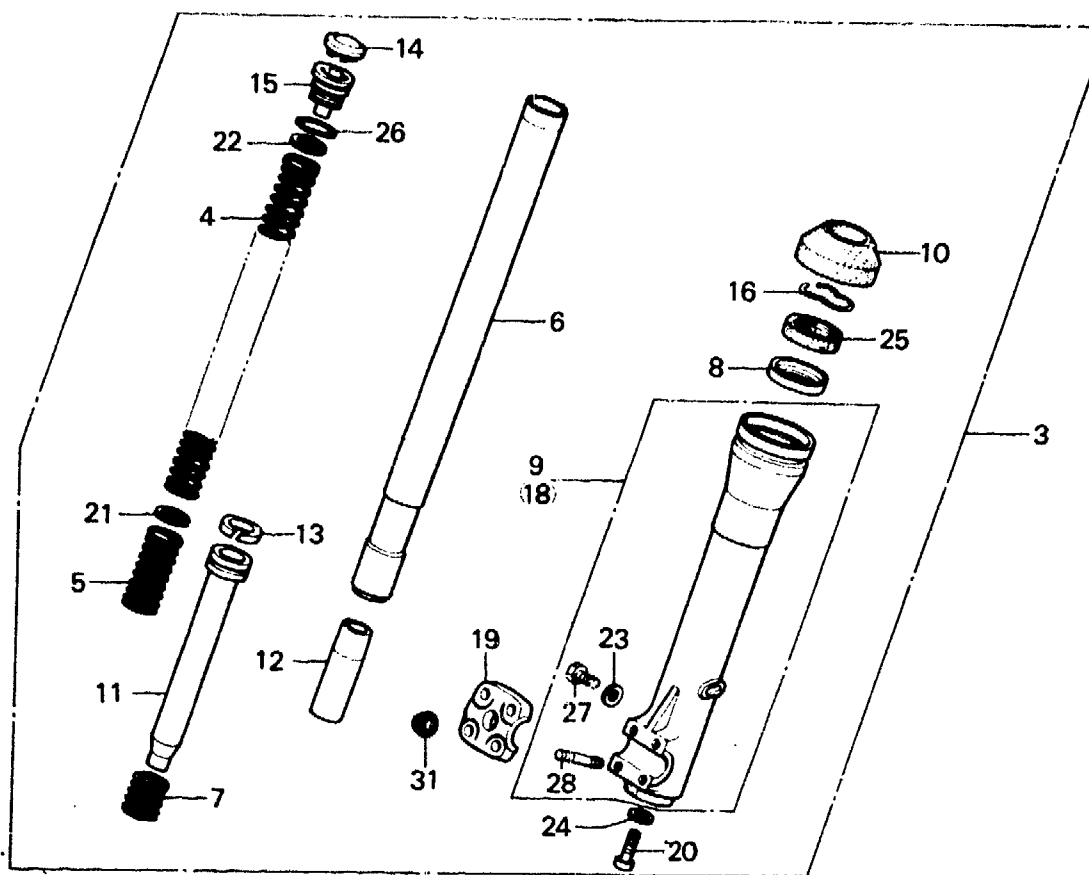
**Front fork
(XL500Sz·SA·SB·CM)**

**Fourche avant
(XL500Sz·SA·SB·CM)**

**Vordergabel
(XL500Sz·SA·SB·CM)**

**Horquilla delantero
(XL500Sz·SA·SB·CM)**

←FWD



B435-9

Service item	F.R.T.	Ref. No.	Part No.	Description	Reqd. No.				Serial No.	Area code
					Sz	XL500 SA	SB	Rc		
		29	93891-04025-10	SCREW-WASHER, 4X25	1	1				B,DK,DM,E,ED,F,SA,SD,U 1G,2G
		30	94050-04000	NUT, FLANGE, 4MM	1	1	1			CM B,DK,DM,E,ED,F,SA,SD,U 1G,2G
		31	94050-06000	NUT, FLANGE, 6MM	1	1	1			CM
		32	95700-06010-00	BOLT, FLANGE, 6X10	4	4				B,DK,DM,E,ED,F,SA,SD,U 1G,2G
					1	1				CM

J 10



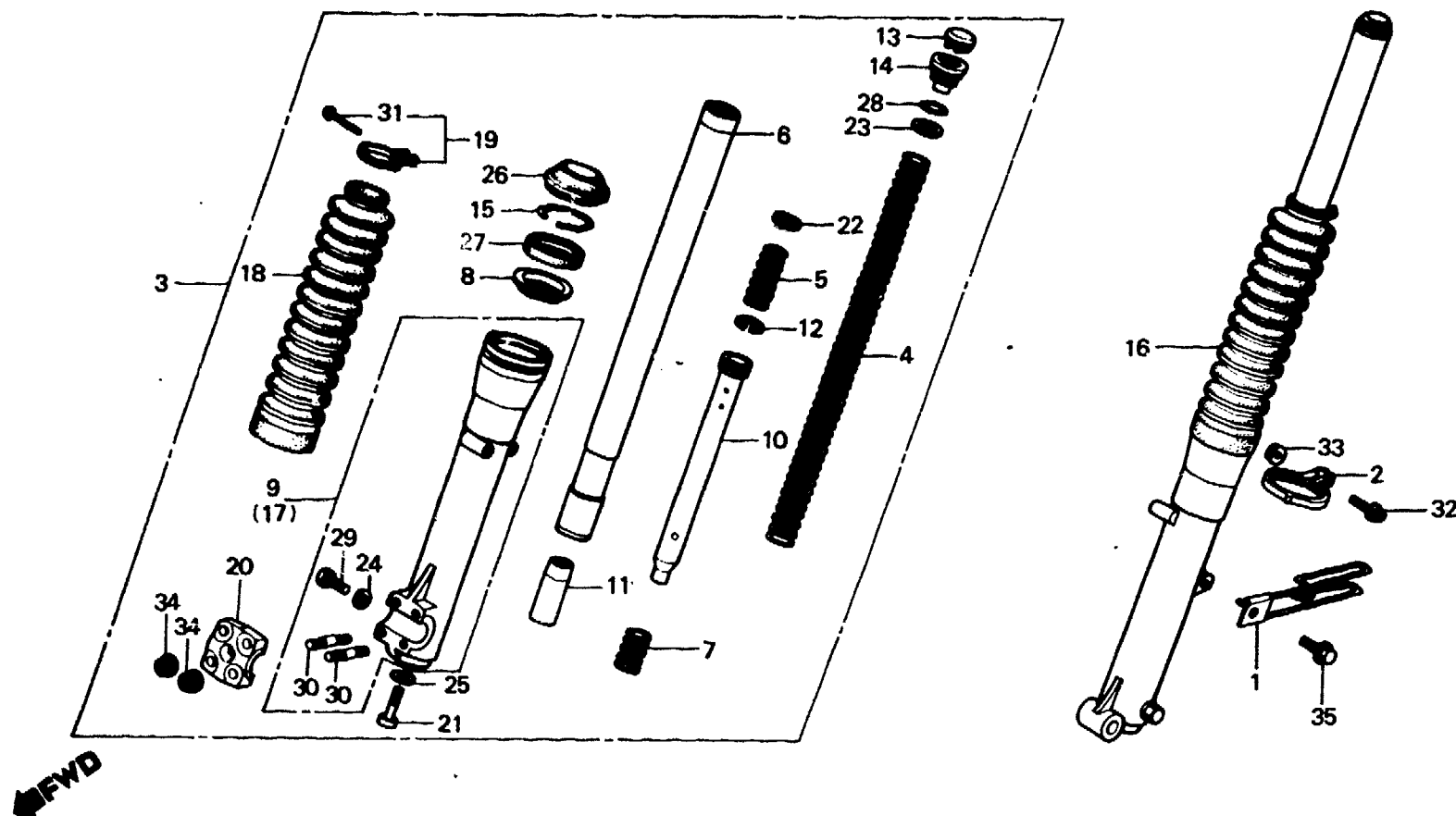
F-7-1

**Front fork (XL500S_B-B,
DK,DM,E,ED,F,SA,SD,U,1G,2G)**

**Fourche avant (XL500S_B-B,
DK,DM,E,ED,F,SA,SD,U,1G,2G)**

**Vordergabel (XL500S_B-B,
DK,DM,E,ED,F,SA,SD,U,1G,2G)**

**Horquilla delantero (XL500S_B-B,
DK,DM,E,ED,F,SA,SD,U,1G,2G)**



B435-65

Service item	F.R.T.	Ref. No.	Part No.	Description	Reqd. No.				Serial No.	Area code
					Sz	SA	Se	Rc		
FORK ASSY., FR. (ADD 0.2 FOR EACH.)	0.5	1	44832-428-870	CLAMP, SPEEDOMETER			1		B,DK,DM,E,ED,F,SA,SD,U 1G,2G	
BOOT, FR. FORK (ADD 0.1 FOR EACH.)		2	45469-434-000	GUIDE C, BRAKE CABLE			1		B,DK,DM,E,ED,F,SA,SD,U 1G,2G	
SPRING A, FR. CUSHION	0.2	3	51400-435-7612A	FORK ASSY., R. FR. *R-110*			1		B,DK,DM,E,ED,F,SA,SD,U 1G,2G	
PIPE COMP., FR. FORK (ADD 0.4 FOR EACH.)	0.7		51400-435-7612B	FORK ASSY., R. FR. *NH-1*			1		B,DK,DM,E,ED,F,SA,SD,U 1G,2G	
OIL SEAL, 35X48X11 (ADD 0.4 FOR EACH.)		4	51401-435-701	SPRING A, FR. CUSHION			2		B,DK,DM,E,ED,F,SA,SD,U 1G,2G	
CASE COMP., BOTTOM (ADD 0.4 FOR EACH.)	0.8	5	51402-435-701	SPRING B, FR. CUSHION			2		B,DK,DM,E,ED,F,SA,SD,U 1G,2G	
		6	51410-429-000	PIPE COMP., FR. FORK			2		B,DK,DM,E,ED,F,SA,SD,U 1G,2G	
		7	51412-340-000	SPRING, FR. FORK REBOUND			2		B,DK,DM,E,ED,F,SA,SD,U 1G,2G	
		8	51412-429-003	RING, BACK UP			2		B,DK,DM,E,ED,F,SA,SD,U 1G,2G	
		9	51420-435-003	CASE COMP., R. BOTTOM			1		B,DK,DM,E,ED,F,SA,SD,U 1G,2G	

J 11



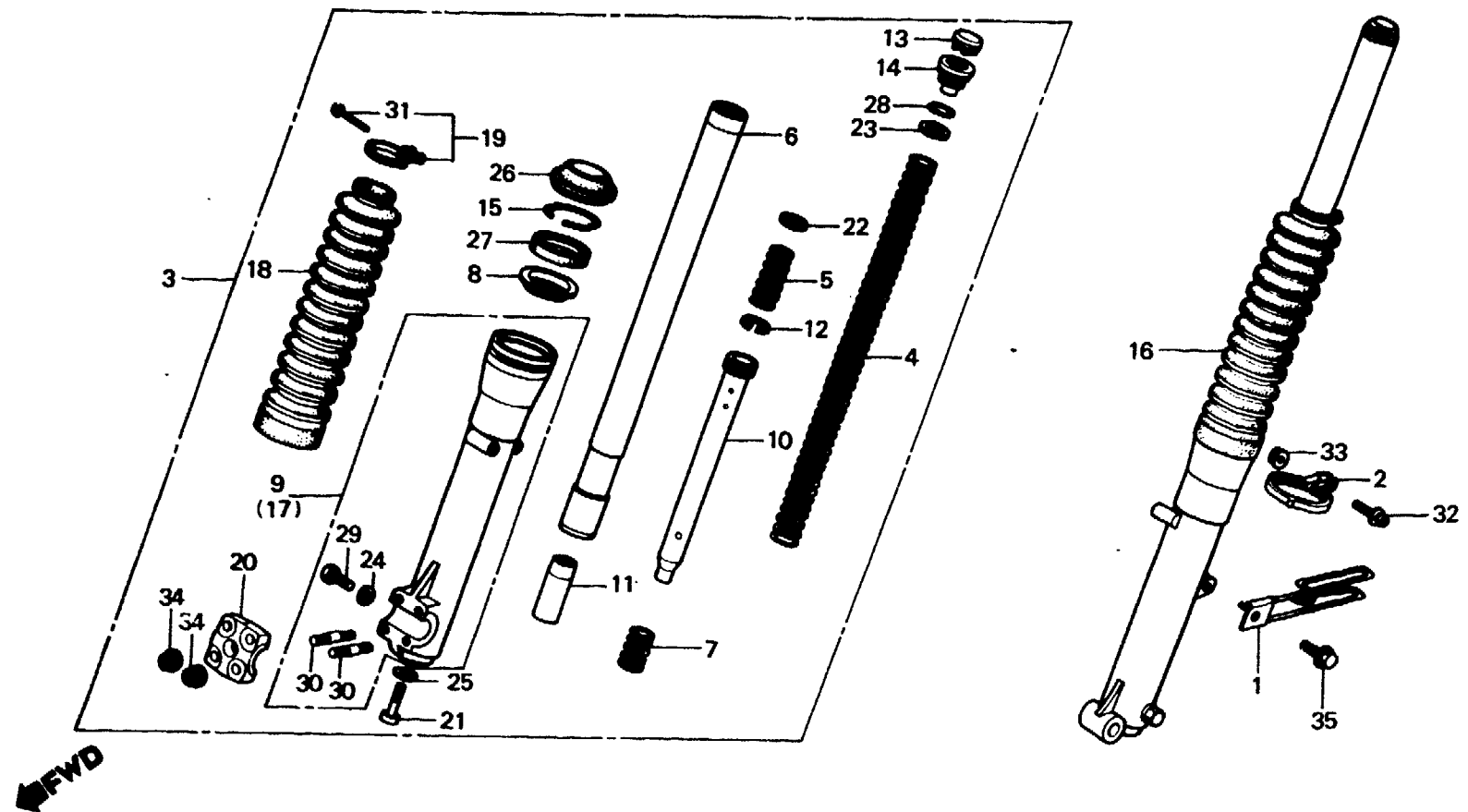
F-7-1

**Front fork (XL500S_B-B,
DK,DM,E,ED,F,SA,SD,U,1G,2G)**

**Fourche avant (XL500S_B-B,
DK,DM,E,ED,F,SA,SD,U,1G,2G)**

**Vordergabel (XL500S_B-B,
DK,DM,E,ED,F,SA,SD,U,1G,2G)**

**Horquilla delantero (XL500S_B-B,
DK,DM,E,ED,F,SA,SD,U,1G,2G)**



B435-65

Service item	F.R.T.	Ref. No.	Part No.	Description	Reqd. No.				Serial No.	Area code
					Sz	SA	Sb	Rc		
		10	51430-428-871	PIPE, SEAT			2		B,DK,DM,E,ED,F,SA,SD,U 1G,2G	
		11	51432-371-003	PIECE, OIL LOCK			2		B,DK,DM,E,ED,F,SA,SD,U 1G,2G	
		12	51437-400-771	RING, PISTON			2		B,DK,DM,E,ED,F,SA,SD,U 1G,2G	
		13	51449-428-003	CAP, FORK PIPE			2		B,DK,DM,E,ED,F,SA,SD,U 1G,2G	
		14	51454-428-003	BOLT, FR. FORK			2		B,DK,DM,E,ED,F,SA,SD,U 1G,2G	
		15	51466-375-000	RING, OIL SEAL STOPPER			2		B,DK,DM,E,ED,F,SA,SD,U 1G,2G	
		16	51500-435-761ZA	FORK ASSY., L. FR. *R-110*			1		B,DK,DM,E,ED,F,SA,SD,U 1G,2G	
			51500-435-761ZB	FORK ASSY., L. FR. *NH-1*			1		B,DK,DM,E,ED,F,SA,SD,U 1G,2G	
		17	51520-435-003	CASE COMP., L. BOTTOM			1		B,DK,DM,E,ED,F,SA,SD,U 1G,2G	

1981.12.20

E

J11

J 12



Not for commercial use

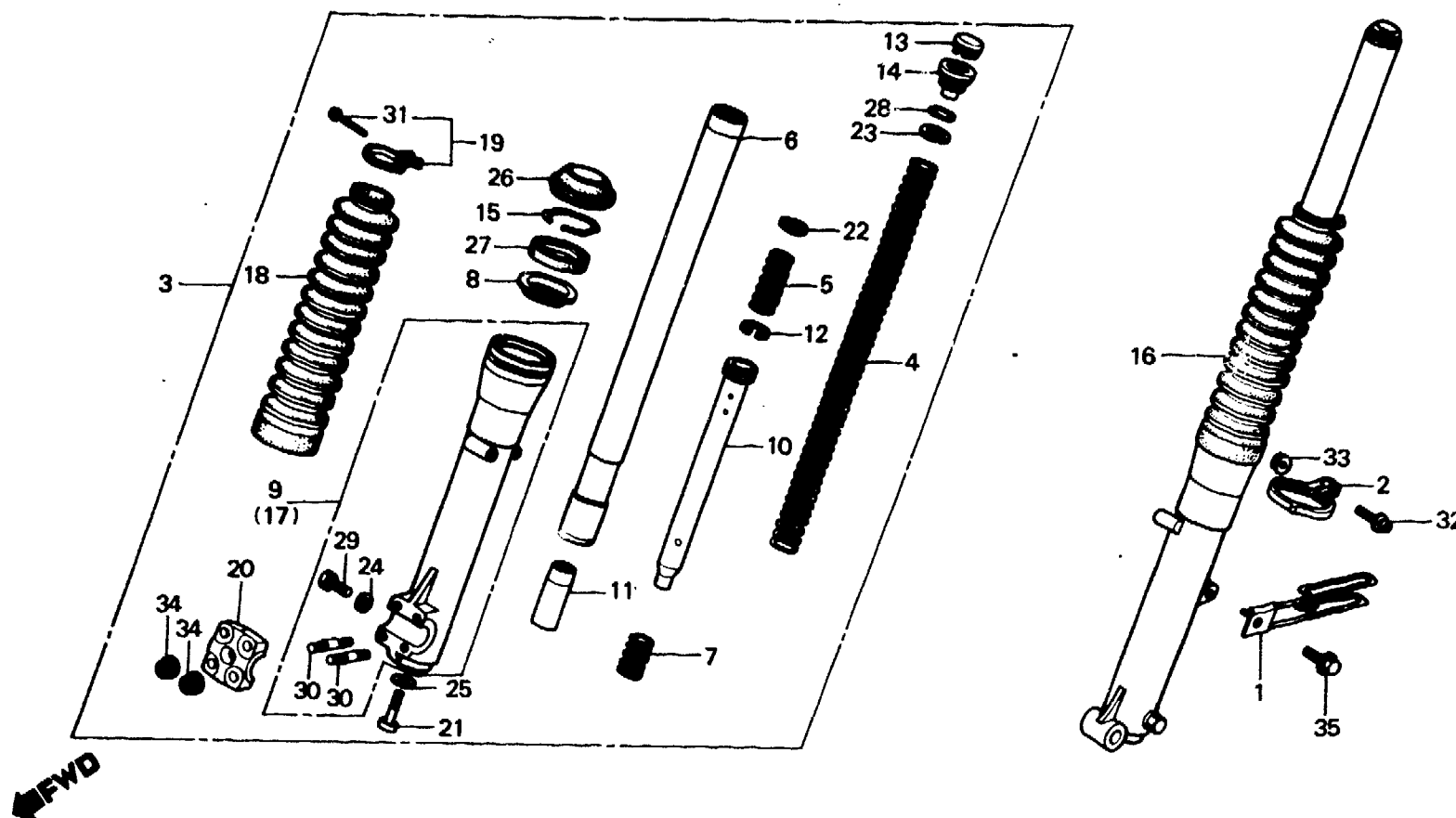
F-7-1

**Front fork (XL500S_B-B,
DK,DM,E,ED,F,SA,SD,U,1G,2G)**

**Fourche avant (XL500S_B-B,
DK,DM,E,ED,F,SA,SD,U,1G,2G)**

**Vordergabel (XL500S_B-B,
DK,DM,E,ED,F,SA,SD,U,1G,2G)**

**Horquilla delantero (XL500S_B-B,
DK,DM,E,ED,F,SA,SD,U,1G,2G)**



B435-65

Service item	F.R.T.	Ref. No.	Part No.	Description	Reqd. No.				Serial No.	Area code
					Sz	SA	Se	Rc		
		18	51611-428-831	BOOT, FR. FORK (MONZA RED)				2	B,DK,DM,E,ED,F,SA,SD,U 1G,2G	
			51611-429-771	BOOT, FR. FORK (BLACK)				2	B,DK,DM,E,ED,F,SA,SD,U 1G,2G	
		19	51612-434-000	BAND, FR. FORK BOOT				2	B,DK,DM,E,ED,F,SA,SD,U 1G,2G	
		20	51634-429-000	HOLDER, AXLE				1	B,DK,DM,E,ED,F,SA,SD,U 1G,2G	
		21	90116-283-010	BOLT, SOCKET, 8MM				2	B,DK,DM,E,ED,F,SA,SD,U 1G,2G	
		22	90504-356-000	WASHER, 16MM				2	B,DK,DM,E,ED,F,SA,SD,U 1G,2G	
		23	90504-425-003	WASHER, FR. FORK				2	B,DK,DM,E,ED,F,SA,SD,U 1G,2G	
		24	90543-273-000	PACKING, FR. FORK DRAIN COCK				2	B,DK,DM,E,ED,F,SA,SD,U 1G,2G	
		25	90544-283-000	WASHER, SPECIAL, 8MM				2	B,DK,DM,E,ED,F,SA,SD,U 1G,2G	



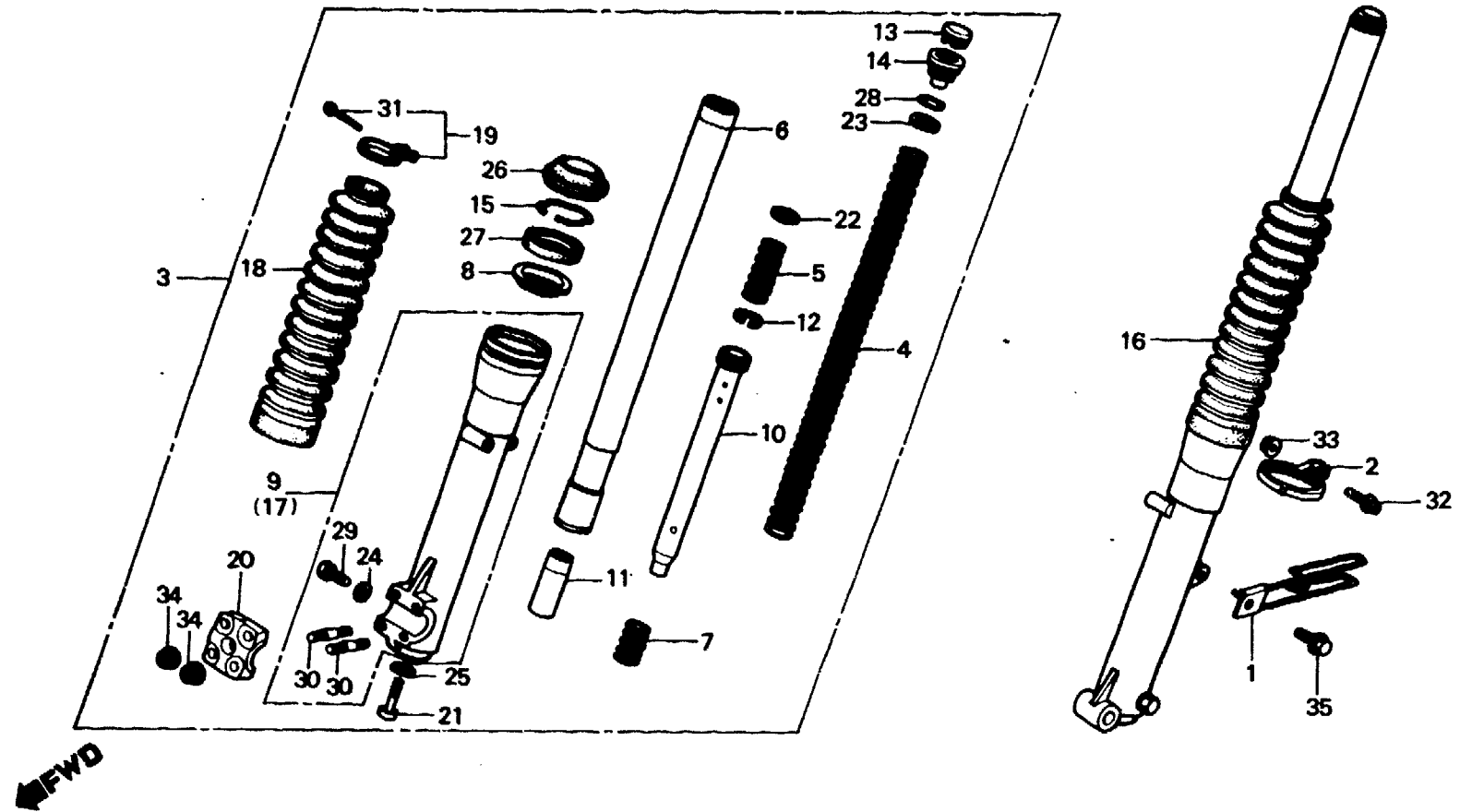
F-7-1

**Front fork (XL500S_B-B,
DK,DM,E,ED,F,SA,SD,U,1G,2G)**

**Fourche avant (XL500S_B-B,
DK,DM,E,ED,F,SA,SD,U,1G,2G)**

**Vordergabel (XL500S_B-B,
DK,DM,E,ED,F,SA,SD,U,1G,2G)**

**Horquilla delantero (XL500S_B-B,
DK,DM,E,ED,F,SA,SD,U,1G,2G)**



B435-65

Service item	F.R.T.	Ref. No.	Part No.	Description	Reqd. No.				Serial No.	Area code
					Sz	SA	Ss	Rc		
		26	91254-434-003	DUST SEAL, 35MM			2		B,DK,DM,E,ED,F,SA,SD,U 1G,2G	
		27	91255-434-013	OIL SEAL, 35X48X11			2		B,DK,DM,E,ED,F,SA,SD,U 1G,2G	
		28	91356-428-003	O-RING, 25.7X28			2		B,DK,DM,E,ED,F,SA,SD,U 1G,2G	
		29	92000-06008	BOLT, HEX., 6X8			2		B,DK,DM,E,ED,F,SA,SD,U 1G,2G	
		30	92700-06035-0E	BOLT, STUD, 6X35			4		B,DK,DM,E,ED,F,SA,SD,U 1G,2G	
		31	93500-03020-0A	SCREW, PAN, 3X20			2		B,DK,DM,E,ED,F,SA,SD,U 1G,2G	
		32	93891-04025-10	SCREW-WASHER, 4X25			1		B,DK,DM,E,ED,F,SA,SD,U 1G,2G	
		33	94050-04000	NUT, FLANGE, 4MM			1		B,DK,DM,E,ED,F,SA,SD,U 1G,2G	
		34	94050-06000	NUT, FLANGE, 6MM			4		B,DK,DM,E,ED,F,SA,SD,U 1G,2G	
		35	95700-06010-00	BOLT, FLANGE, 6X10			1		B,DK,DM,E,ED,F,SA,SD,U 1G,2G	

J 14



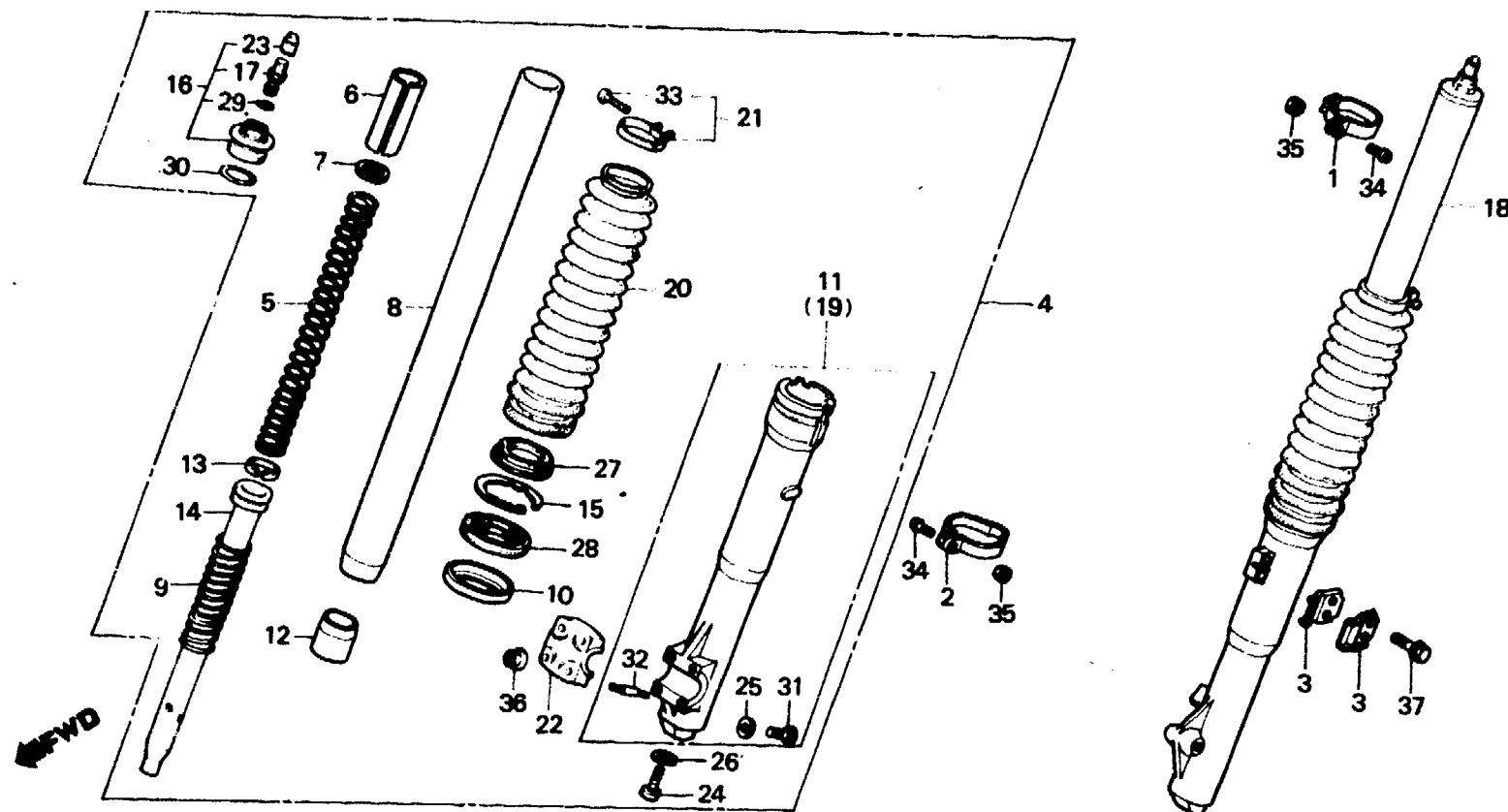
F-7-2

**Front fork
(XL500Rc)**

**Fourche avant
(XL500Rc)**

**Vordergabel
(XL500Rc)**

**Horquilla delantero
(XL500Rc)**



BMC4-6

Service item	F.R.T.	Ref. No.	Part No.	Description	Reqd. No.				Serial No.	Area code
					Sz	XL500	SA	Sa		
FORK ASSY., FR. (ADD 0.2 FOR EACH.)	0.5	1	32105-MC4-610	CLAMPER, SWITCH CORD					2	ED,SD,1G,2G
SPRING, FR. CUSHION	0.2	2	44832-MC4-000	CLAMPER, SPEEDOMETER CABLE					1	
PIPE COMP., FR. FORK (ADD 0.4 FOR EACH.)	0.7	3	45461-MC4-000	CLAMPER, FR. BRAKE CABLE					2	
OIL SEAL, 37X50X11 (ADD 0.4 FOR EACH.)		4	51400-MC4-003	FORK ASSY., R. FR. (SHOWA)					1	
CASE COMP., BOTTOM (ADD 0.4 FOR EACH.)	0.8	5	51401-MC4-003	SPRING, FR. CUSHION					2	
VALVE COMP., AIR	0.1	6	51402-MA0-771	COLLAR, SPRING					2	
		7	51403-MA0-771	SEAT, SPRING					2	
		8	51410-MC4-003	PIPE COMP., FR. FORK					2	
		9	51412-MA0-771	SPRING, REBOUND					2	
		10	51412-461-305	RING, BACK UP					2	
		11	51420-MC4-003	CASE COMP., R. BOTTOM					1	
		12	51432-MC4-003	PIECE, OIL LOCK					2	
		13	51437-MA0-771	RING, PISTON					2	
		14	51440-MC4-003	PIPE, SEAT					2	
		15	51447-461-003	CIRCLIP, INTERNAL, 50MM					2	

J 15



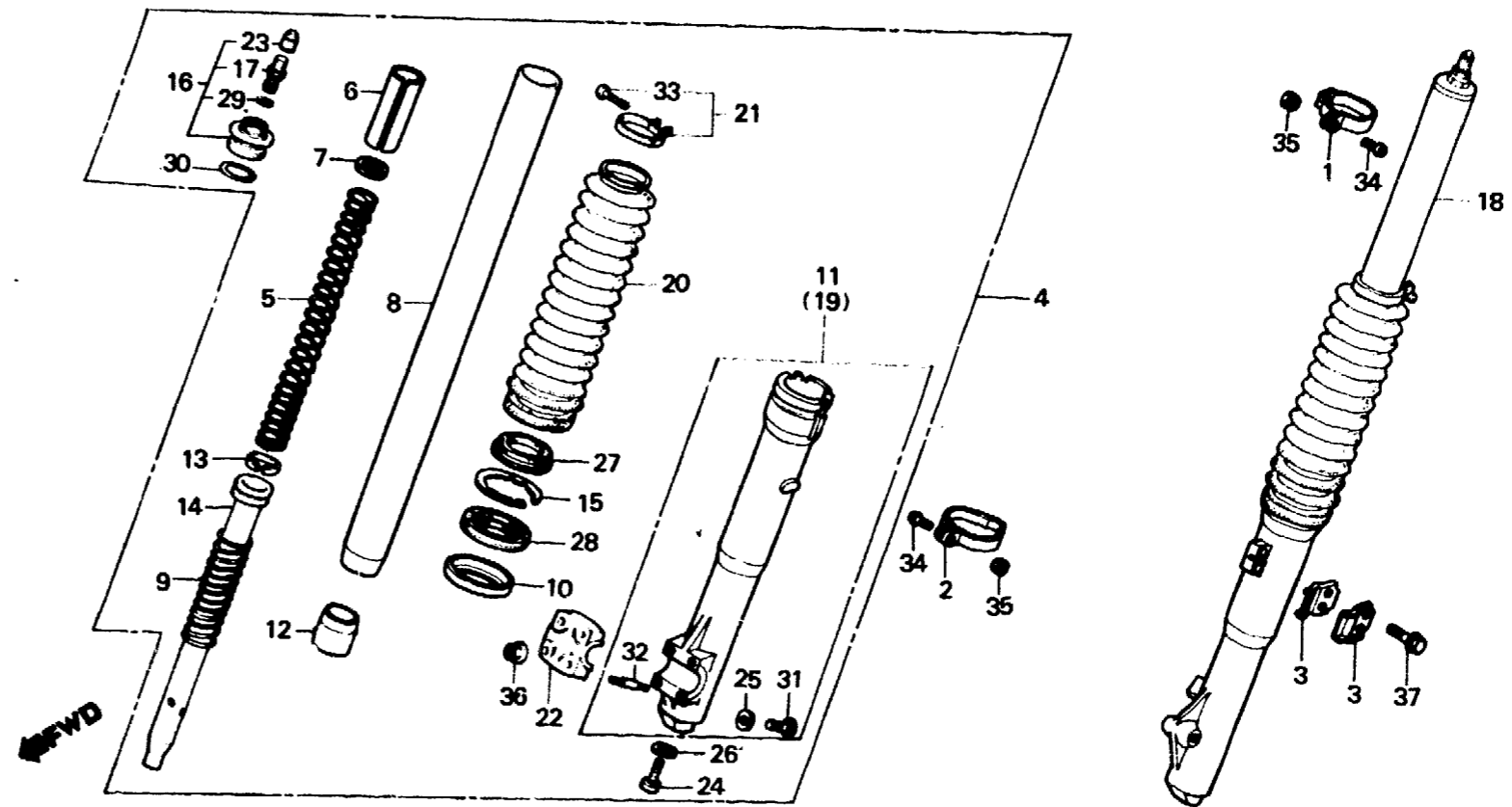
F-7-2

**Front fork
(XL500Rc)**

**Fourche avant
(XL500Rc)**

**Vordergabel
(XL500Rc)**

**Horquilla delantero
(XL500Rc)**



BMC4-6

Service item	F.R.T.	Ref. No.	Part No.	Description	Reqd. No.				Serial No.	Area code
					Sz	SA	Sc	Rc		
		16	51450-MC4-003	BOLT ASSY., FR. FORK				2		
		17	51456-469-013	VALVE COMP., AIR (SHOWA)				2		
		18	51500-MC4-003	FORK ASSY., L. FR. (SHOWA)				1		
		19	51520-MC4-003	CASE COMP., L. BOTTOM				1		
		20	51611-430-000	BOOT, FR. FORK				2		
		21	51612-430-010	BAND, FR. FORK BOOT				2		
		22	51634-MA0-003	HOLDER, AXLE				1		
		23	52425-381-771	CAP, AIR VALVE				2		
		24	90116-283-010	BOLT, SOCKET, 8MM				2		
		25	90543-273-000	PACKING, FR. FORK DRAIN COCK				2		
		26	90544-283-000	WASHER, SPECIAL, 8MM				2		
		27	91254-MA0-003	DUST SEAL, FR. FORK				2		
		28	91255-461-003	OIL SEAL, 37X50X11				2		
			91255-461-004	OIL SEAL, 37X50X11				2		
		29	91301-469-003	O-RING, 5.8X1.9				2		

1981.12.20

E

J15

J 16



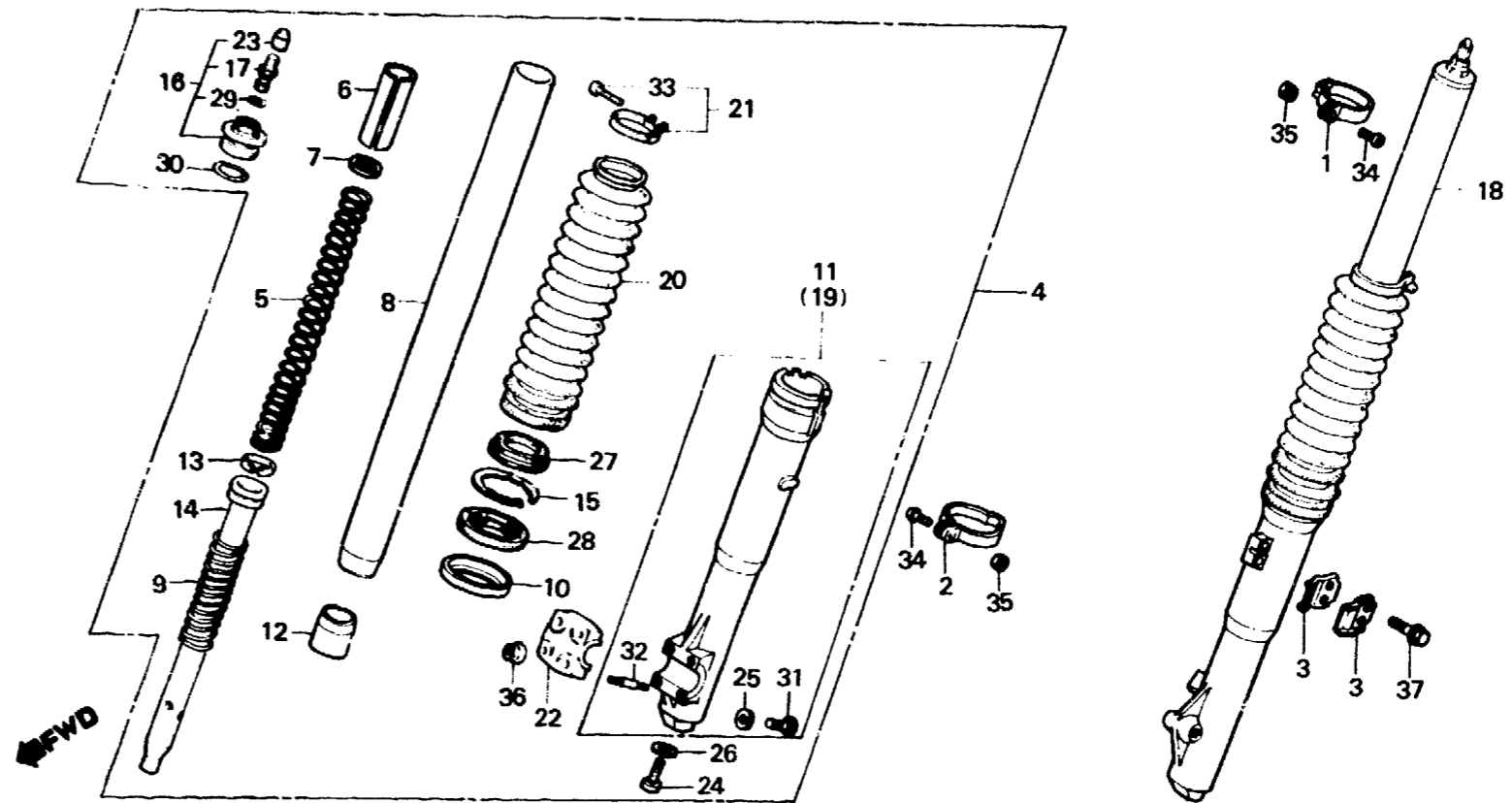
F-7-2

**Front fork
(XL500Rc)**

**Fourche avant
(XL500Rc)**

**Vordergabel
(XL500Rc)**

**Horquilla delantero
(XL500Rc)**



BMC4-6

Service item	F.R.T.	Ref. No.	Part No.	Description	Reqd. No.				Serial No.	Area code
					Sz	XL500 SA	Sb	Rc		
		30	91356-371-000	O-RING, 29X2.4				2		
		31	92000-06008	BOLT, HEX., 6X8				2		
		32	92700-06035-0E	BOLT, STUD, 6X35				4		
		33	93500-03020-0A	SCREW, PAN, 3X20				2		
		34	93500-05018-0A	SCREW, PAN, 5X18				1		B,CM,DK,DM,E,F,IT,SA,U
		35	94001-05000-0S	NUT, HEX., 5MM				1		ED,SD,1G,2G
		36	94050-06000	NUT, FLANGE, 6MM				3		B,CM,DK,DM,E,F,IT,SA,U
		37	95700-06016-00	BOLT, FLANGE, 6X16				2		ED,SD,1G,2G

1981.12.20

E

J16