

I 3



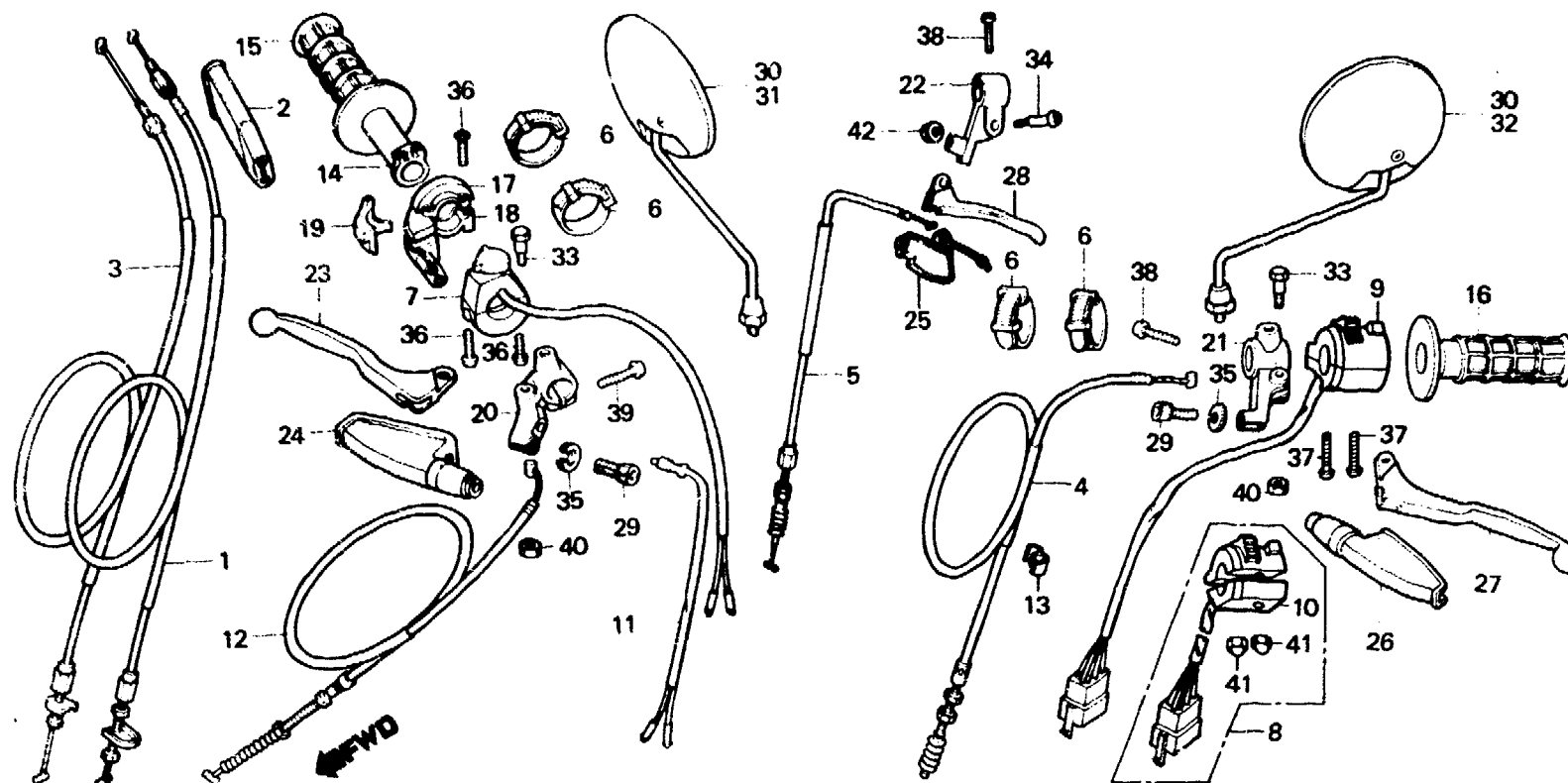
F-3-1

Handle lever • Switch • Cable
(XL500Rc)

Levier de poignée • Interrupteur •
Câble (XL500Rc)

Lenkstangenhebel • Schalter •
Kabel (XL500Rc)

Palanca de manubrio •
Interruptor • Cable
(XL500Rc)



BMC4-4

| Service item | F.R.T. | Ref. No. | Part No. | Description | Reqd. No. | | | | Serial No. | Area code |
|--------------------------------------|--------|----------|---------------|-----------------------------|-----------|-------|----|----|------------|-------------------------|
| | | | | | Sz | XL500 | SA | SA | | |
| CABLE COMP. THROTTLE (ONE OR ALL) | 0.5 | 1 | 17910-MC4-000 | CABLE COMP. A, THROTTLE | | | | | 1 | |
| CABLE COMP., CLUTCH | 0.2 | 2 | 17913-KB7-000 | COVER, THROTTLE CABLE | | | | | 1 | |
| SWITCH ASSY., RR. STOP | | 3 | 17920-MC4-000 | CABLE COMP. B, THROTTLE | | | | | 1 | |
| CABLE COMP., FR. BRAKE | | 4 | 22870-MC4-000 | CABLE COMP., CLUTCH | | | | | 1 | |
| SWITCH ASSY., KILL | 0.3 | 5 | 22890-MC4-000 | CABLE COMP., DECOMPRESSION | | | | | 1 | |
| SWITCH ASSY., WINKER | | 6 | 32161-404-000 | BAND B1, WIRE | | | | | 4 | |
| PIPE, THROTTLE GRIP | | 7 | 35130-KB7-003 | SWITCH ASSY., KILL | | | | | 1 | |
| HOUSING, UPPER THROTTLE | | 8 | 35200-KB7-000 | SWITCH ASSY., WINKER | | | | | 1 | B,DK,DM,E,ED,F,IT,SA,U |
| BRACKET, R. HANDLE LEVER | | | 35200-KB7-610 | SWITCH ASSY., WINKER | | | | | 1 | SD,1G,2G |
| BRACKET, L. HANDLE LEVER | | 9 | 35200-MC4-671 | SWITCH ASSY., WINKER DIMMER | | | | | 1 | CM |
| SWITCH ASSY., WINKER DIMMER | 0.4 | | | (TOYO) | | | | | | |
| GRIP, HANDLE | 0.1 | 10 | 35220-KB7-003 | HOUSING, SWITCH SETTING | | | | | 1 | B,DK,DM,E,ED,F,IT,SA,SD |
| LEVER, STEERING HANDLE | | | | | | | | | | U,1G,2G |
| | | 11 | 35350-197-000 | SWITCH ASSY., RR. STOP | | | | | 1 | |



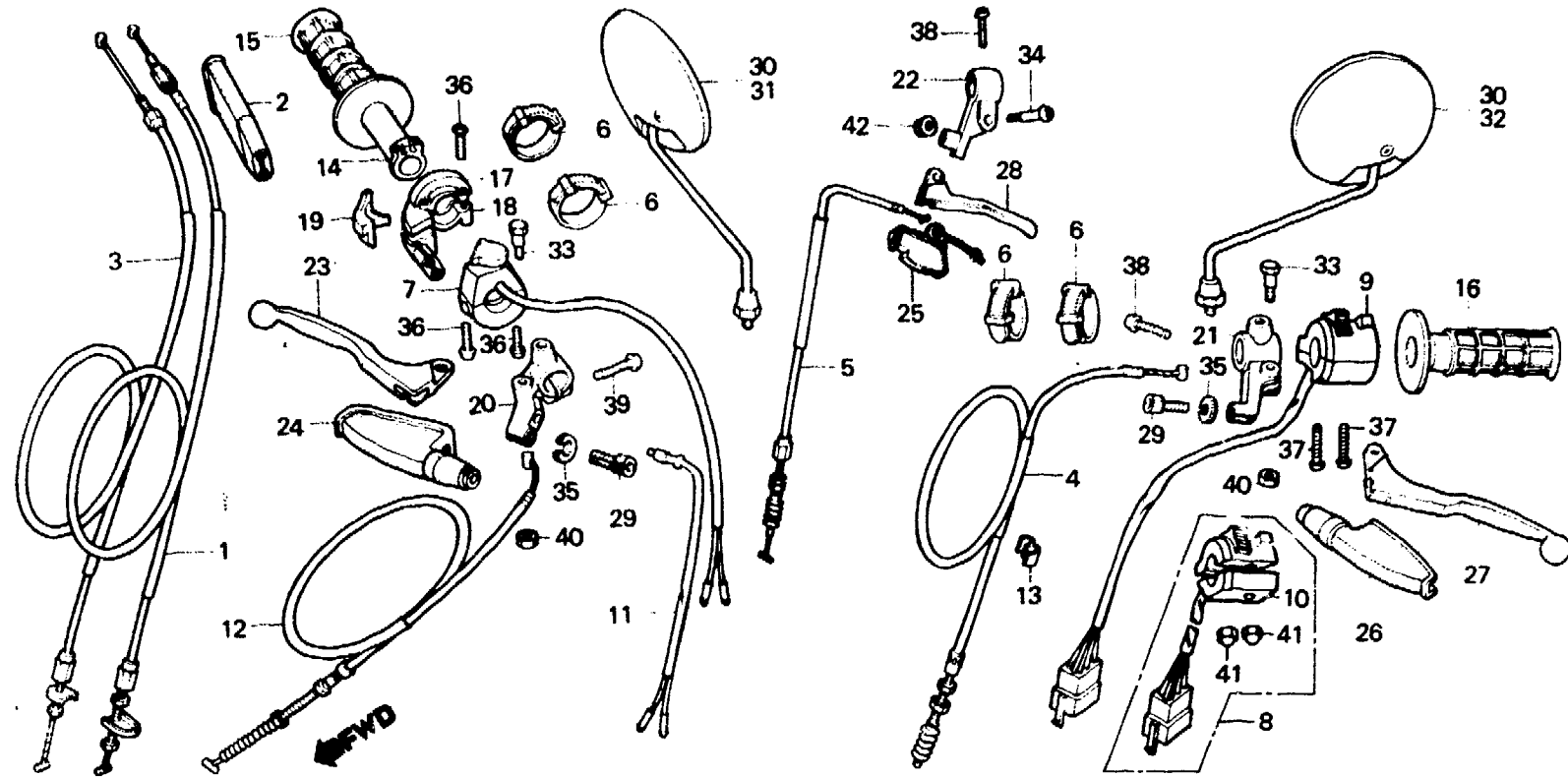
F-3-1

Handle lever • Switch • Cable
(XL500Rc)

Levier de poignée • Interrupteur • Câble (XL500Rc)

Lenkstangenhebel • Schalter • Kabel (XL500Rc)

Palanca de manubrio • Interruptor • Cable (XL500Rc)



BMC4-4

| Service item | F.R.T. | Ref. No. | Part No. | Description | Reqd. No. | | | | Serial No. | Area code |
|--------------|--------|----------|---------------|------------------------------|-----------|----|----|----|------------|-----------|
| | | | | | Sz | SA | Sb | Rc | | |
| | | 12 | 45450-MC4-000 | CABLE COMP., FR. BRAKE | | | | 1 | | |
| | | 13 | 45465-341-700 | CLIP, FR. BRAKE CABLE | | | | 1 | | |
| | | 14 | 53141-429-000 | PIPE, THROTTLE GRIP | | | | 1 | | |
| | | 15 | 53165-430-000 | GRIP, R. HANDLE | | | | 1 | | |
| | | 16 | 53166-430-000 | GRIP, L. HANDLE | | | | 1 | | |
| | | 17 | 53167-KB7-000 | HOUSING, UPPER THROTTLE | | | | 1 | | |
| | | 18 | 53168-KB7-000 | HOUSING, UNDER THROTTLE | | | | 1 | | |
| | | 19 | 53169-KB7-000 | SLIDER, THROTTLE CABLE | | | | 1 | | |
| | | 20 | 53171-KB7-000 | BRACKET, R. HANDLE LEVER | | | | 1 | | |
| | | 21 | 53172-310-010 | BRACKET, L. HANDLE LEVER | | | | 1 | | |
| | | 22 | 53173-435-730 | BRACKET, DECOMPRESSION LEVER | | | | 1 | | |
| | | 23 | 53175-KB7-000 | LEVER, R. STEERING HANDLE | | | | 1 | | |
| | | 24 | 53176-428-010 | COVER, R. HANDLE LEVER | | | | 1 | | |



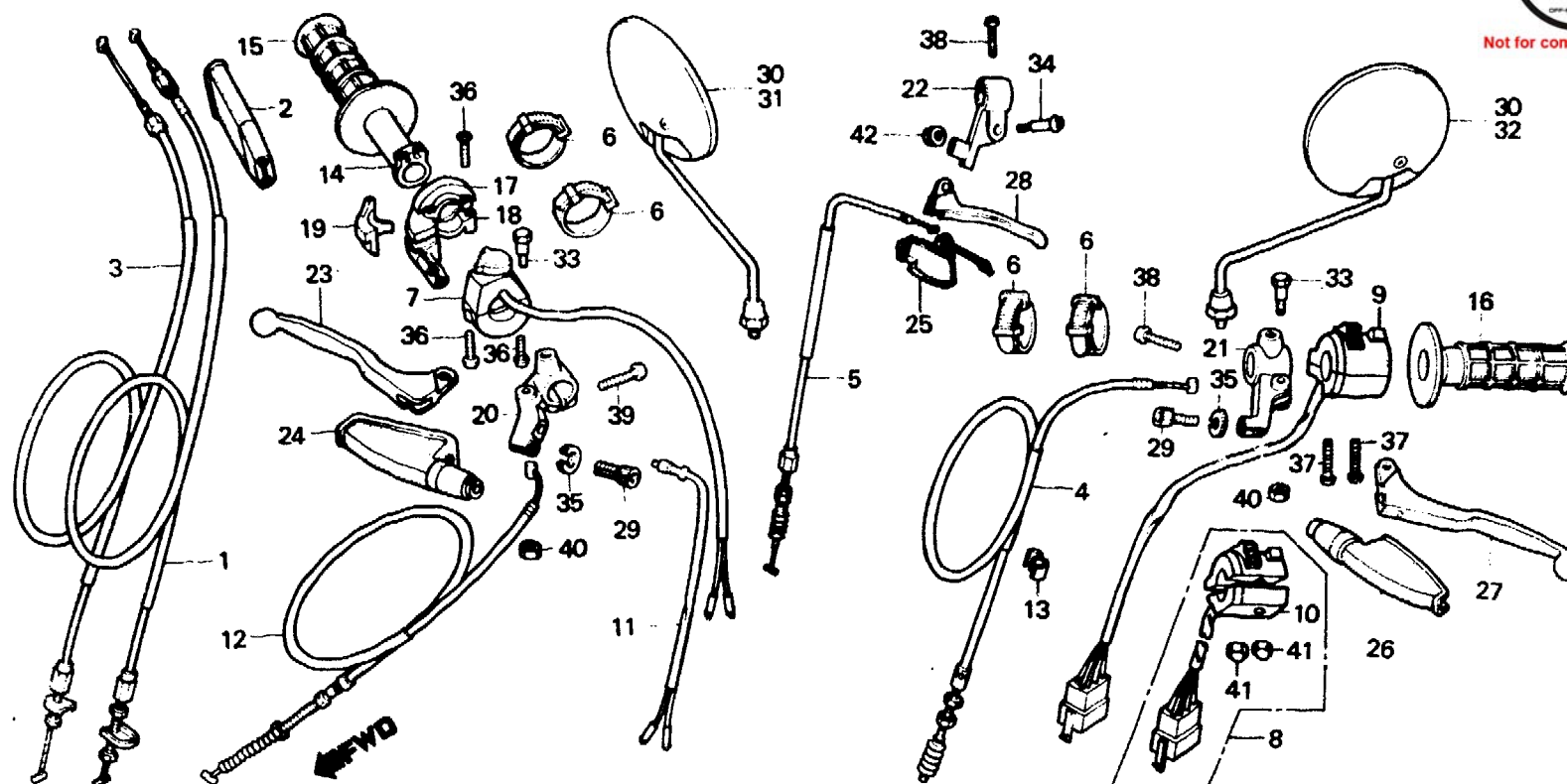
F-3-1

Handle lever • Switch • Cable
(XL500Rc)

Levier de poignée • Interrupteur • Câble (XL500Rc)

Lenkstangenhebel • Schalter • Kabel (XL500Rc)

Palanca de manubrio • Interruptor • Cable (XL500Rc)



BMC4-4

| Service item | F.R.T. | Ref. No. | Part No. | Description | Reqd. No. | | | | Serial No. | Area code |
|--------------|--------|----------|---------------|-----------------------------|-----------|----|----|----|------------|---------------------------------|
| | | | | | Sz | SA | SA | Rc | | |
| | | 25 | 53177-125-780 | COVER, L. HANDLE LEVER | | | | | | |
| | | 26 | 53177-430-000 | COVER, L. HANDLE LEVER | | | | | | |
| | | 27 | 53178-KB7-000 | LEVER, L. STEERING HANDLE | | | | | | |
| | | 28 | 53180-435-730 | LEVER, DECOMPRESSION | | | | | | |
| | | 29 | 53192-268-000 | BOLT, CLUTCH WIRE ADJUSTING | | | | | | |
| | | 30 | 88110-KB7-000 | MIRROR, BACK | | | | | | B,CM,DK,DM,ED,IT,SA,SD 1G,2G |
| | | 31 | 88110-304-620 | MIRROR, R. BACK | | | | | | E,F |
| | | | 88110-369-650 | MIRROR, R. BACK | | | | | | U |
| | | 32 | 88120-304-620 | MIRROR, L. BACK | | | | | | E,F |
| | | | 88120-369-650 | MIRROR, L. BACK | | | | | | U |
| | | 33 | 90114-428-870 | BOLT, HANDLE LEVER PIVOT | | | | | | |
| | | 34 | 90115-147-000 | SCREW, HANDLE LEVER PIVOT | | | | | | |



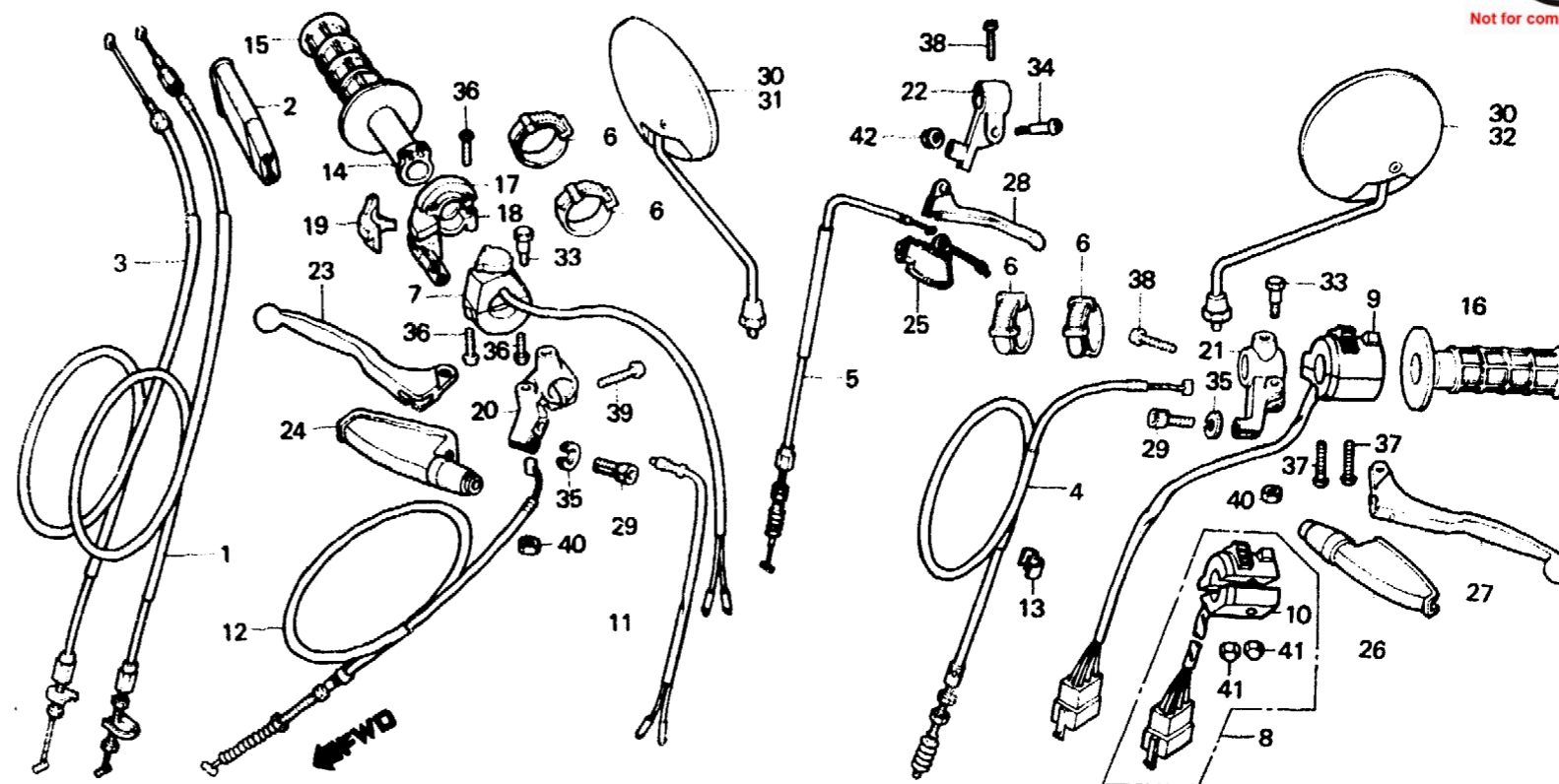
F-3-1

Handle lever • Switch • Cable
(XL500Rc)

Levier de poignée • Interrupteur • Câble (XL500Rc)

Lenkstangenhebel • Schalter • Kabel (XL500Rc)

Palanca de manubrio • Interruptor • Cable (XL500Rc)



BMC4-4

| Service item | F.R.T. | Ref. No. | Part No. | Description | Reqd. No. | | | | Serial No. | Area code |
|--------------|--------|----------|----------------|------------------|-----------|-------------|----|----|------------|------------------------------------|
| | | | | | Sz | XL500 SA | SB | Rc | | |
| | | 35 | 90321-315-670 | NUT, FIXING | | | | 2 | | |
| | | 36 | 93500-05020-0A | SCREW, PAN, 5X20 | | | | 4 | | |
| | | 37 | 93500-05030-0A | SCREW, PAN, 5X30 | | | | 2 | | CM |
| | | 38 | 93500-06025 | SCREW, PAN, 6X25 | | | | 2 | | |
| | | 39 | 93500-06028 | SCREW, PAN, 6X28 | | | | 1 | | |
| | | 40 | 94001-06000 | NUT, HEX., 6MM | | | | 2 | | |
| | | 41 | 94021-05070-0S | NUT, CAP, 5MM | | | | 2 | | B,DK,DM,E,ED,F,IT,SA,SD U,1G,2G |
| | | 42 | 94050-05000 | NUT, FLANGE, 5MM | | | | 1 | | |



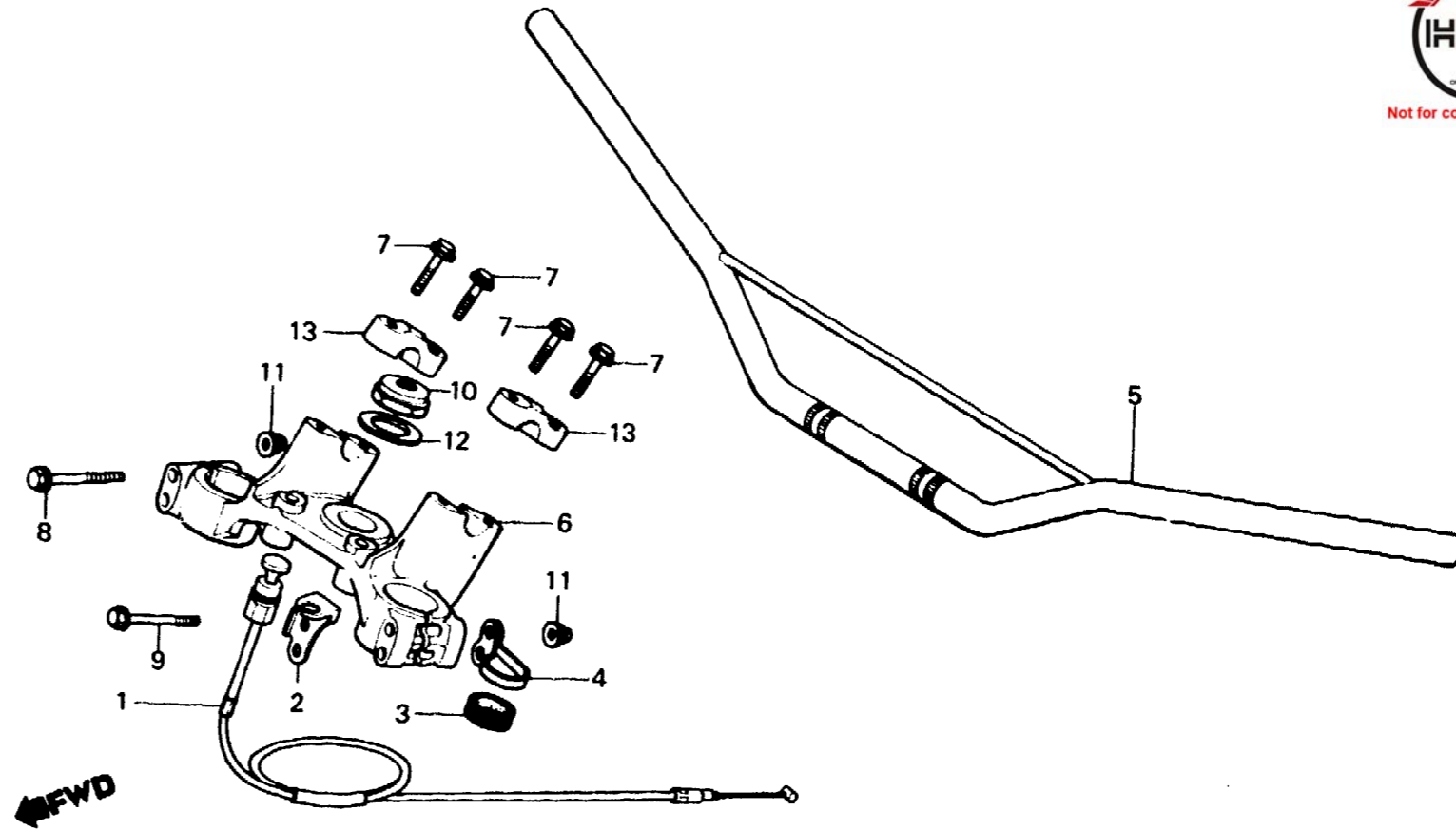
F-4

**Handle pipe · Top bridge
(XL500Sz·SA·SB)**

**Guidon · Haut de fourche
(XL500Sz·SA·SB)**

**Lenkrohr · Obere Brücke
(XL500Sz·SA·SB)**

**Tubo do manubrio ·
Puente superior
(XL500Sz·SA·SB)**



B435-6

| Service item | F.R.T. | Ref. No. | Part No. | Description | Reqd. No. | | | | Serial No. | Area code |
|---|-------------------|----------|---------------|-----------------------------|-----------|----------|----|----|---|-----------|
| | | | | | Sz | XL500 SA | SB | Rc | | |
| CABLE COMP., CHOKE PIPE COMP., STEERING HANDLE BRIDGE, FORK TOP | 0.3 0.8 0.6 | 1 | 17950-429-000 | CABLE COMP., CHOKE | 1 | 1 | | | B,DK,DM,E,ED,F,SA,SD,U 1G,2G CM | |
| | | | 17950-435-670 | CABLE COMP., CHOKE | 1 | 1 | 1 | | B,DK,DM,E,ED,F,SA,SD,U 1G,2G CM | |
| | | | 17950-435-760 | CABLE COMP., CHOKE | | | 1 | | B,DK,DM,E,ED,F,SA,SD,U 1G,2G CM | |
| | 2 | | 17951-435-000 | STAY, CHOKE CABLE | 1 | 1 | | | B,DK,DM,E,ED,F,SA,SD,U 1G,2G CM | |
| | | | 17951-435-760 | STAY, CHOKE CABLE | 1 | 1 | 1 | 1 | B,DK,DM,E,ED,F,SA,SD,U 1G,2G | |
| | 3 | | 45466-329-000 | INNER, CABLE GUIDE | 1 | 1 | 1 | | | |
| | | | 45468-428-000 | GUIDE B, BRAKE CABLE | 1 | 1 | 1 | | | |
| | 5 | | 53100-435-000 | PIPE COMP., STEERING HANDLE | 1 | 1 | 1 | | B,DK,DM,E,ED,F,SA,SD,U 1G,2G CM CM | |
| | | | 53100-435-730 | PIPE COMP., STEERING HANDLE | | 1 | | 1 | | |
| | | | 53230-429-000 | BRIDGE, FORK TOP | 1 | 1 | 1 | | B,DK,DM,E,ED,F,SA,SD,U 1G,2G CM | |

I 8



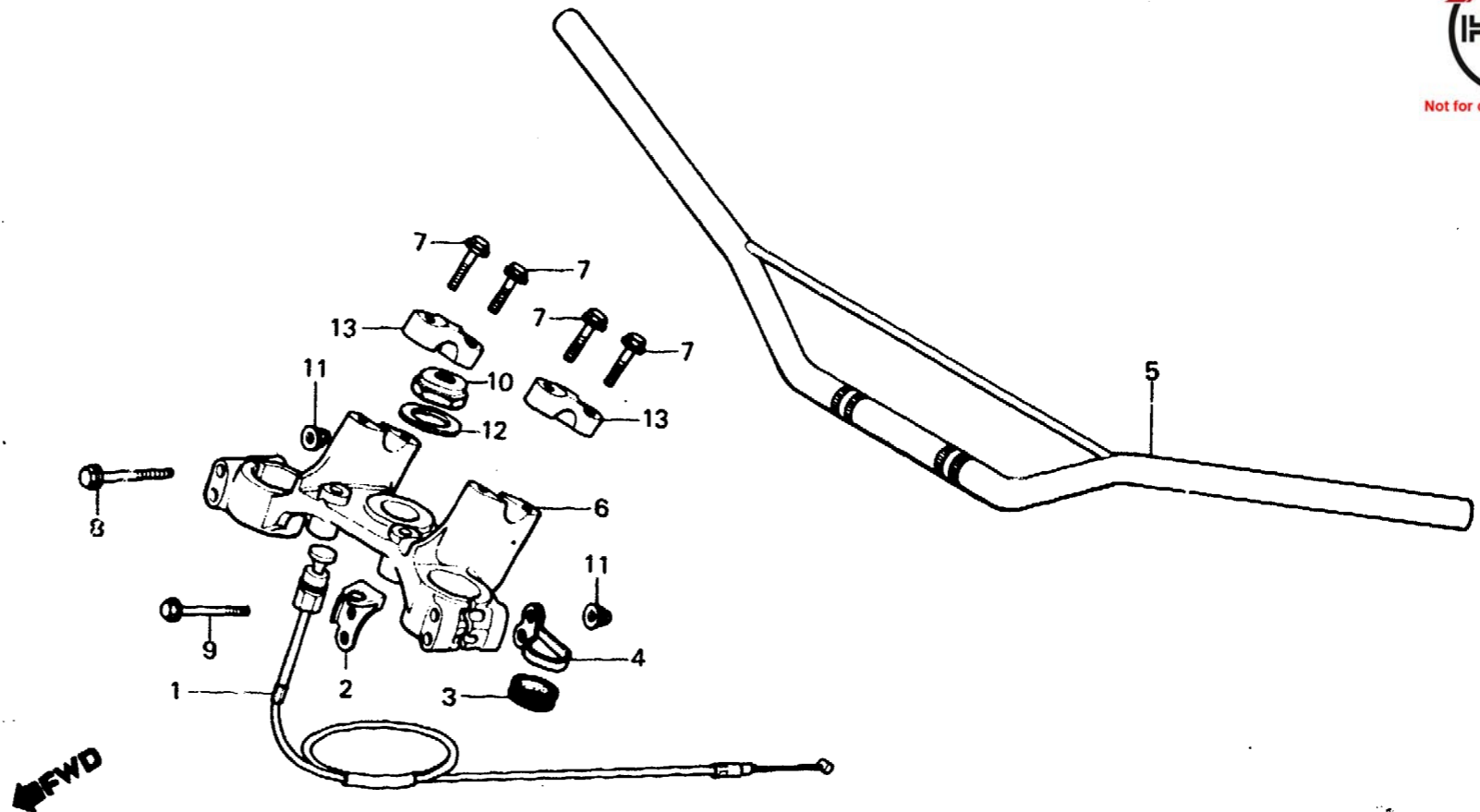
F-4

**Handle pipe • Top bridge
(XL500Sz•SA•SB)**

**Guidon • Haut de fourche
(XL500Sz•SA•SB)**

**Lenkrohr • Obere Brücke
(XL500Sz•SA•SB)**

**Tubo do manubrio •
Puente superior
(XL500Sz•SA•SB)**



B435-6

| Service item | F.R.T. | Ref. No. | Part No. | Description | Reqd. No. | | | | Serial No. | Area code |
|--------------|--------|----------|----------------|------------------------------|-----------|----------|----|----|------------|-----------|
| | | | | | Sz | XL500 SA | SA | Rc | | |
| | | | 53230-435-770 | BRIDGE, FORK TOP | | 1 | 1 | | CM | |
| | | 7 | 90111-362-000 | BOLT, FLANGE, 8X36 | 4 | 4 | 4 | | | |
| | | 8 | 90155-429-000 | BOLT, FLANGE, 8X65 | 2 | | | | | |
| | | | 95700-08065-00 | BOLT, FLANGE, 8X65 | | 2 | 2 | | | |
| | | 9 | 90156-429-000 | BOLT, FLANGE, 8X68 | 2 | | | | | |
| | | | 90156-435-770 | BOLT, FLANGE, 8X68 | | 2 | 2 | | | |
| | | 10 | 90304-428-000 | NUT, STEERING STEM | 1 | | | | | |
| | | | 90304-435-770 | NUT, STEERING STEM | | 1 | 1 | | | |
| | | 11 | 90360-429-000 | NUT, CAP, 8MM | 4 | | | | | |
| | | | 90443-107-000 | NUT, CAP, 8MM | | 4 | 4 | | | |
| | | 12 | 90503-283-000 | WASHER, STEERING STEM | 1 | | | | | |
| | | | 90503-428-870 | WASHER, STEERING STEM | | 1 | 1 | | | |
| | | 13 | 95014-22200 | HOLDER B2, HANDLE PIPE UPPER | 2 | 2 | 2 | | | |

1981.12.20

E

18

I 9

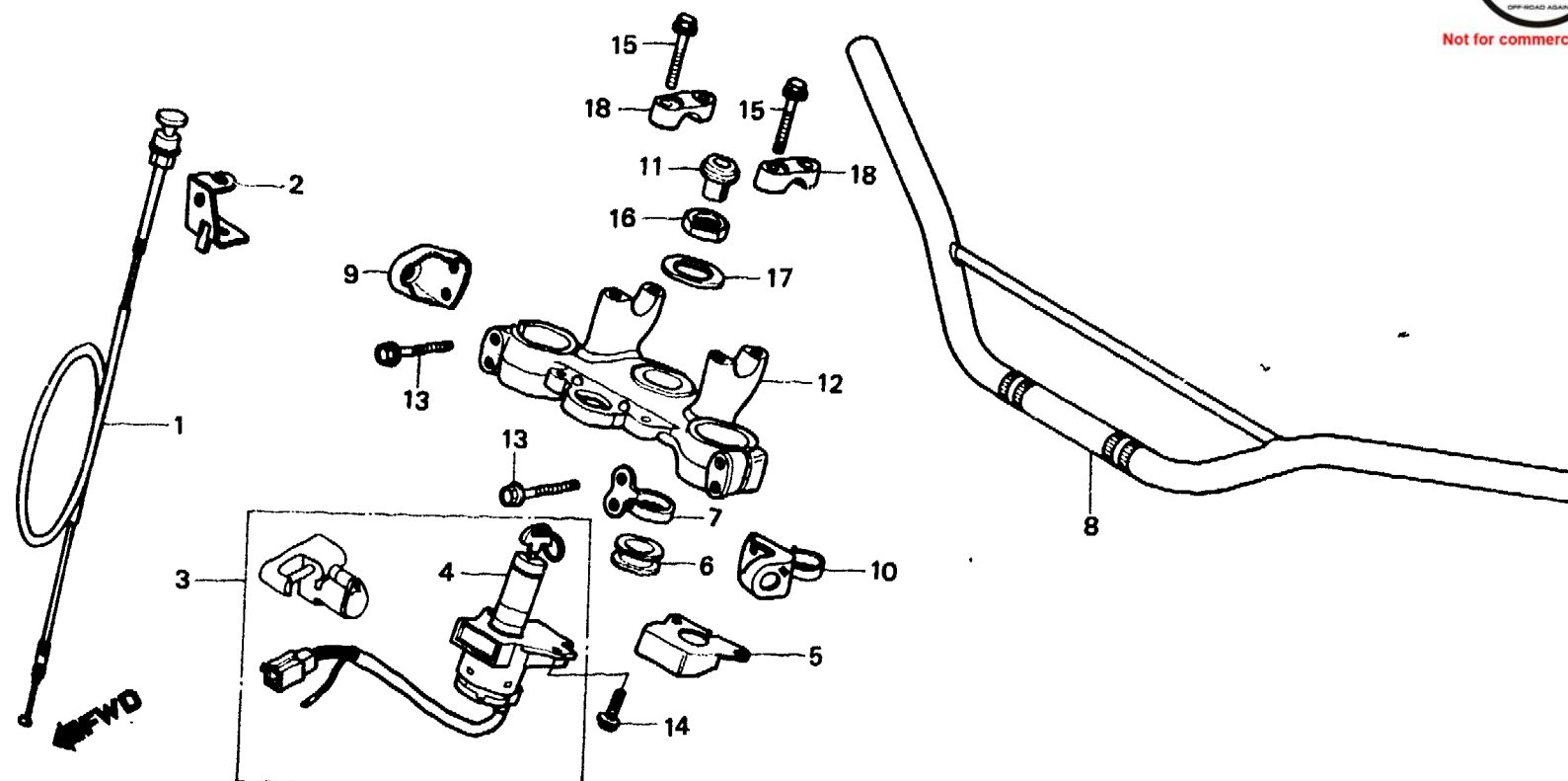
F-4-1

Handle pipe • Top bridge
(XL500Rc)

Guidon • Haut de fourche
(XL500Rc)

Lenkrohr • Obere Brücke
(XL500Rc)

Tube do manubrio •
Puente superior
(XL500Rc)



BKB7-4

| Service item | F.R.T. | Ref. No. | Part No. | Description | Reqd. No. | | | | Serial No. | Area code |
|----------------------------------|--------|----------|---------------|----------------------------------|-----------|----|----|----|-------------------------|-----------|
| | | | | | Sz | SA | SA | Rc | | |
| CABLE COMP., CHOKE | 0.2 | 1 | 17950-MC4-000 | CABLE COMP., CHOKE | | | | 1 | | |
| KEY SET | 0.6 | 2 | 17951-KB7-670 | STAY, CHOKE CABLE | | | | 1 | | |
| PIPE COMP., STEERING HANDLE | | 3 | 35010-KB7-000 | KEY SET | | | | 1 | B,CM,DK,DM,E,F,IT,SA,U | |
| SWITCH ASSY., COMBINATION & LOCK | 0.4 | | 35010-MC4-610 | KEY SET | | | | 1 | ED,SD,1G,2G | |
| BRIDGE, FORK TOP | 0.5 | 4 | 35100-KB7-007 | SWITCH ASSY., COMBINATION & LOCK | | | | 1 | B,CM,DK,DM,E,F,IT,SA,U | |
| | | | 35100-MC4-611 | SWITCH ASSY., COMBINATION & LOCK | | | | 1 | ED,SD,1G,2G | |
| | | 5 | 35106-MA1-610 | COVER, COMBINATION SWITCH | | | | 1 | ED,SD,1G,2G | |
| | | 6 | 45466-KA4-000 | INNER, CABLE GUIDE | | | | 1 | | |
| | | 7 | 45469-MC4-000 | GUIDE, BRAKE CABLE TOP | | | | 1 | B,CM,DK,DM,E,F,IT,SA,SD | |
| | | | | | | | | | U | |
| | | 8 | 53100-MC4-000 | PIPE COMP., STEERING HANDLE | | | | 1 | | |
| | | 9 | 53101-MC4-610 | STAY, R. FR. WINKER SETTING | | | | 1 | ED,1G,2G | |
| | | 10 | 53102-MC4-610 | STAY, L. FR. WINKER SETTING | | | | 1 | ED,1G,2G | |

I 10

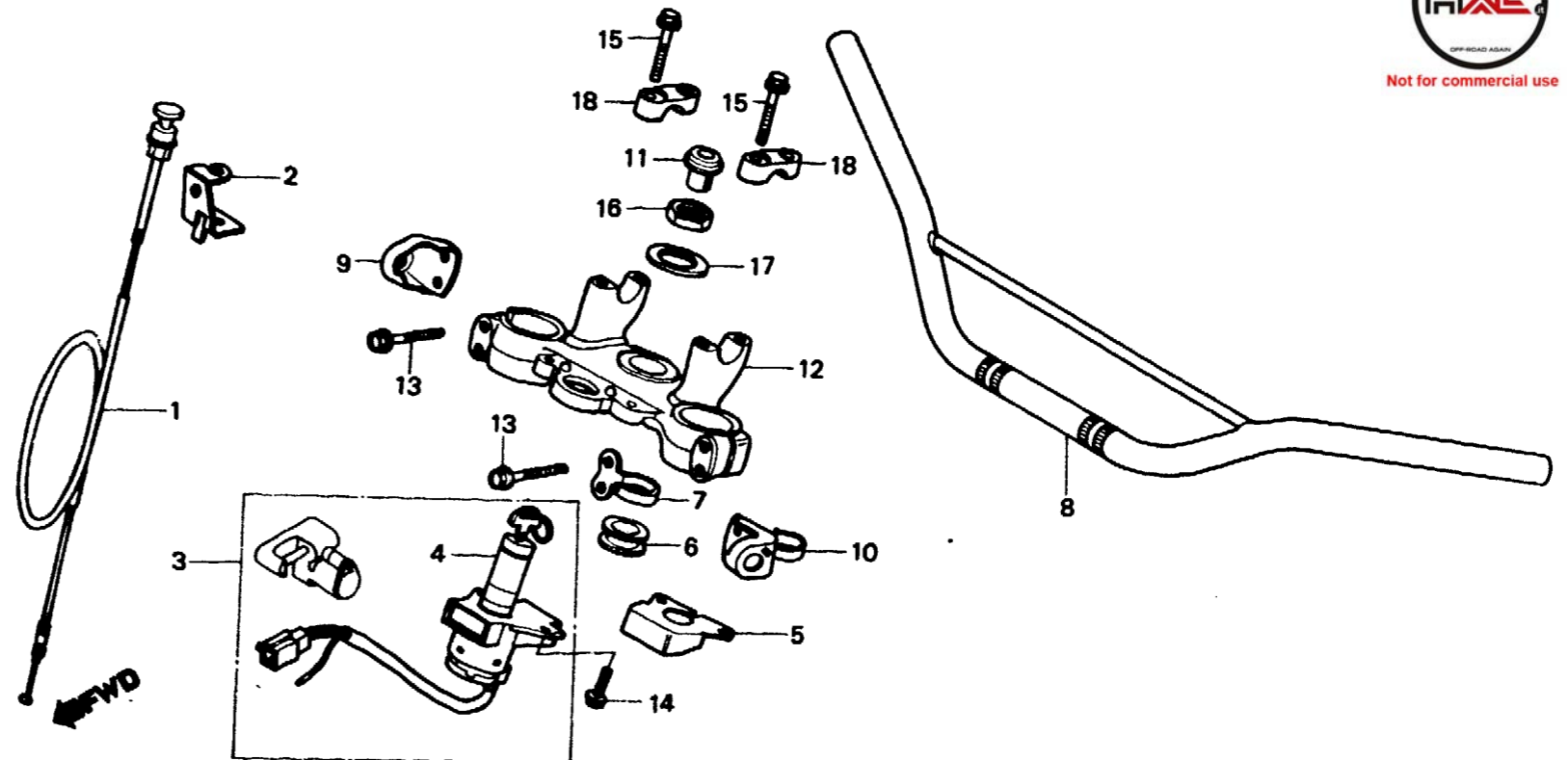
F-4-1

**Handle pipe • Top bridge
(XL500Rc)**

**Guidon • Haut de fourche
(XL500Rc)**

**Lenkrohr • Obere Brücke
(XL500Rc)**

**Tubo do manubrio •
Puente superior
(XL500Rc)**



BKB7-4

| Service item | F.R.T. | Ref. No. | Part No. | Description | Reqd. No. | | | | Serial No. | Area code |
|--------------|--------|----------|---------------|-------------------------------------|-----------|----|----|----|------------|------------------------|
| | | | | | Sz | SA | Se | Rc | | |
| | | 11 | 53208-MC4-000 | CAP, STEERING STEM | | | | 1 | | |
| | | 12 | 53230-MC4-000 | BRIDGE, FORK TOP | | | | 1 | | |
| | | 13 | 90103-KB7-000 | BOLT, FLANGE, 8X45 | | | | 4 | | |
| | | 14 | 90105-KB7-000 | BOLT, FLANGE, 8X19 | | | | 2 | | B,CM,DK,DM,E,F,IT,SA,U |
| | | | 90105-MC7-610 | BOLT, COMBINATION SWITCH SETTING | | | | 2 | | ED,SD,1G,2G |
| | | 15 | 90111-362-000 | BOLT, FLANGE, 8X36 | | | | 4 | | |
| | | 16 | 90304-425-000 | NUT, STEERING STEM | | | | 1 | | |
| | | 17 | 90503-428-870 | WASHER, STEERING STEM | | | | 1 | | |
| | | 18 | 95014-22200 | HOLDER B2, HANDLE PIPE UPPER | | | | 2 | | |

I 11



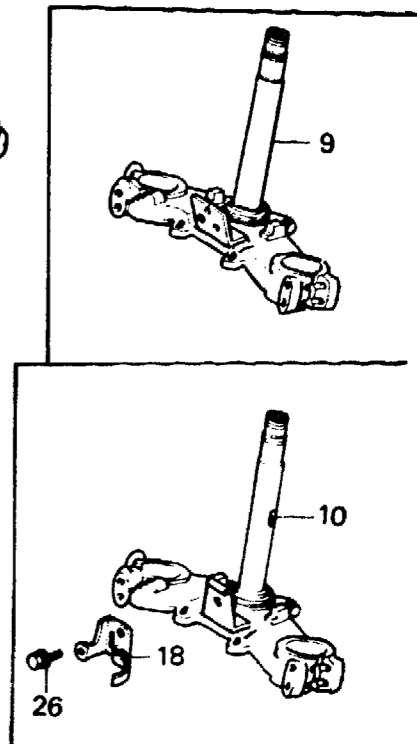
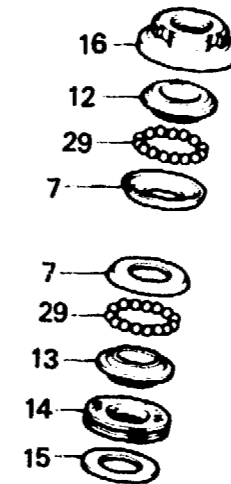
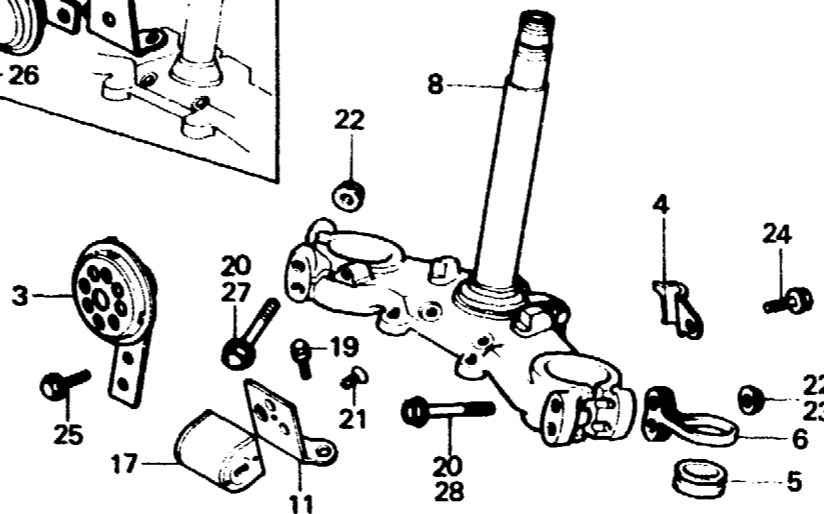
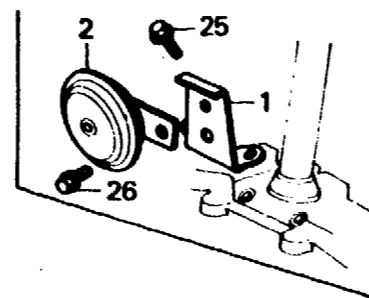
F-5

Steering stem • Horn
(XL500Sz • SA • SB)

Tige de direction • Avertisseur
(XL500Sz • SA • SB)

Steuerkopfschaft • Hupe
(XL500Sz • SA • SB)

Varilla de dirección • Bocina
(XL500Sz • SA • SB)



B435-34A

| Service item | F.R.T. | Ref. No. | Part No. | Description | Reqd. No. | | | | Serial No. | Area code |
|--------------------------------------|--------|----------|---------------|--------------------------|-----------|----|----|----|-------------------|-----------|
| | | | | | Sz | SA | Sb | Rc | | |
| HORN COMP. | 0.1 | 1 | 38102-428-600 | STAY, HORN | 1 | 1 | | | B,E,ED,F,SD,1G,2G | |
| RACE, STEERING TOP BALL (ONE OR ALL) | 0.8 | 2 | 38110-428-601 | HORN COMP. | 1 | 1 | | | B,E,ED,F,SD,1G,2G | |
| RACE, STEERING BOTTOM CONE | | 3 | 38110-435-000 | HORN COMP. | 1 | | | | CM,DK,DM,SA,U | |
| STEM COMP., STEERING | 1.2 | | 38110-435-771 | HORN COMP. | | 1 | 1 | | CM | |
| RACE, STEERING TOP CONE | 0.5 | 4 | 45465-428-000 | CLAMP, SPEEDOMETER CABLE | 1 | 1 | 1 | | DK,DM,SA,U | |
| THREAD COMP., STEERING HEAD TOP | | 5 | 45466-329-000 | INNER, CABLE GUIDE | 1 | 1 | 1 | | | |
| LOCK COMP., STEERING HANDLE | 0.6 | 6 | 45468-428-000 | GUIDE B, BRAKE CABLE | 1 | 1 | 1 | | | |
| | | 7 | 50301-268-000 | RACE, STEERING TOP BALL | 2 | 2 | 2 | | | |
| | | 8 | 53200-429-000 | STEM COMP., STEERING | 1 | | | | CM,DK,DM,SA,U | |
| | | | 53200-435-610 | STEM COMP., STEERING | 1 | | | | B,E,ED,F,1G,2G | |
| | | 9 | 53200-435-770 | STEM COMP., STEERING | | 1 | 1 | | CM | |
| | | 10 | 53200-435-850 | STEM COMP., STEERING | | 1 | 1 | | DK,DM,SA,U | |
| | | | | | | | | | B,E,ED,F,SD,1G,2G | |
| | | | | | | | | | DK,DM,SA,U | |
| | | 11 | 53203-428-000 | HOLDER, HANDLE LOCK | 1 | | | | CM,DK,DM,SA,U | |

I 12



Not for commercial use

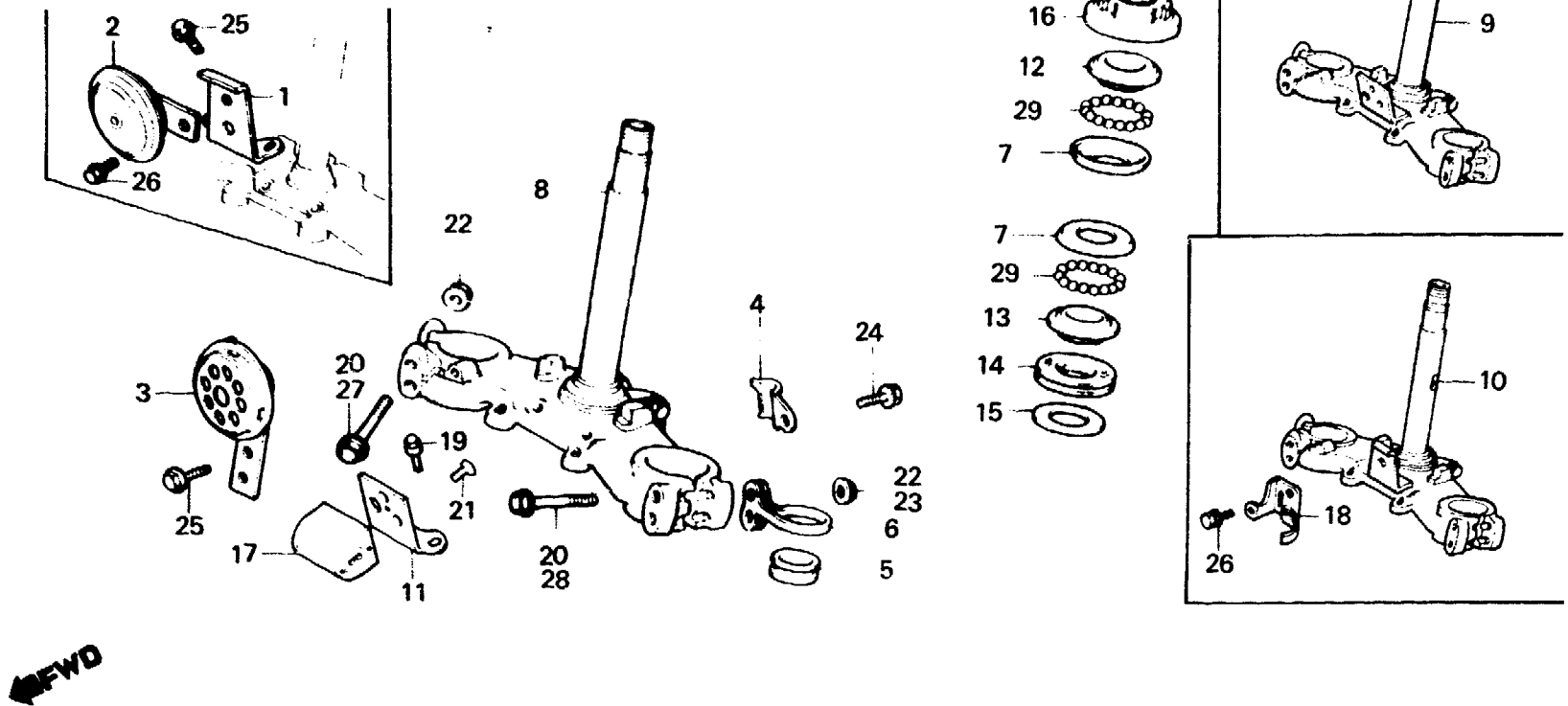
F-5

Steering stem • Horn
(XL500Sz • SA • SB)

Tige de direction • Avertisseur
(XL500Sz • SA • SB)

Steuerkopfschaft • Hupe
(XL500Sz • SA • SB)

Varilla de dirección • Bocina
(XL500Sz • SA • SB)



B435-34A

| Service item | F.R.T. | Ref. No. | Part No. | Description | Reqd. No. | | | | Serial No. | Area code |
|--------------|--------|----------|----------------|------------------------------------|-----------|----|----|----|--------------------------------|-----------|
| | | | | | Sz | SA | SB | Rc | | |
| | | 12 | 53211-268-000 | RACE, STEERING TOP CONE | 1 | 1 | 1 | | | |
| | | 13 | 53212-200-000 | RACE, STEERING BOTTOM CONE | 1 | 1 | 1 | | | |
| | | 14 | 53214-200-000 | DUST SEAL, STEERING HEAD | 1 | 1 | 1 | | | |
| | | 15 | 53215-200-000 | WASHER, STEERING HEAD DUST SEAL | 1 | 1 | 1 | | | |
| | | 16 | 53220-286-000 | THREAD COMP., STEERING HEAD TOP | 1 | 1 | 1 | | | |
| | | 17 | 53600-126-921 | LOCK COMP., STEERING HANDLE | 1 | 1 | 1 | | CM | |
| | | 18 | 61312-428-830 | STAY, HEADLIGHT LOWER | 1 | 1 | 1 | | DK, DM, SA, U | |
| | | 19 | 90106-428-000 | BOLT, SPECIAL, 6MM | 2 | | | | B, DK, DM, E, ED, F, SA, SD, U | |
| | | 20 | 90125-428-000 | BOLT, FLANGE, 8X57 | 4 | | | | 1G, 2G | |
| | | 21 | 90164-028-000 | SCREW, U-LOCK FLAT, 6X12 | 2 | | | | CM, DK, DM, SA, U | |
| | | | 93600-06012-0G | SCREW, FLAT, 6X12 | 2 | 2 | 2 | | CM | |

I 13



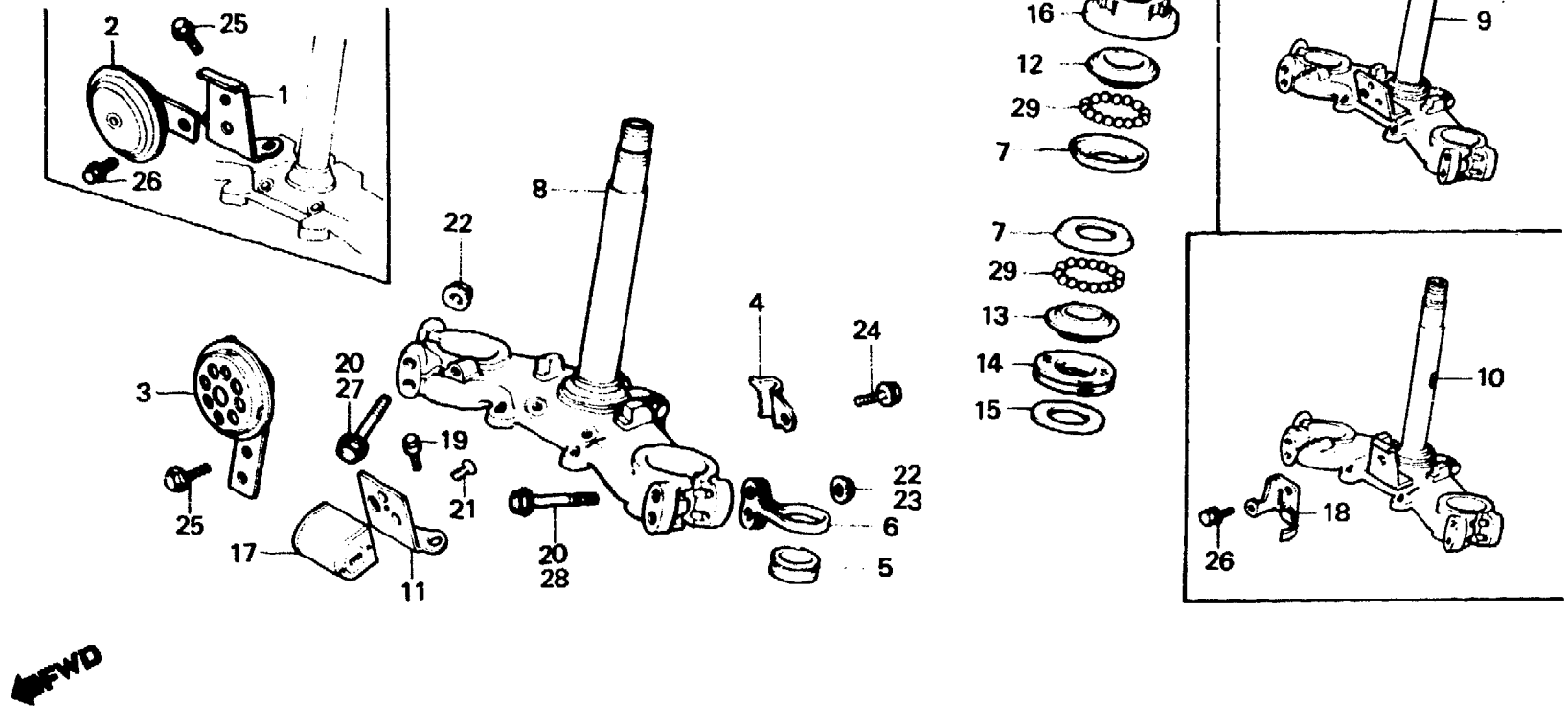
F-5

Steering stem • Horn
(XL500Sz • SA • SB)

Tige de direction • Avertisseur
(XL500Sz • SA • SB)

Steuerkopfschaft • Hupe
(XL500Sz • SA • SB)

Varilla de dirección • Bocina
(XL500Sz • SA • SB)



B435-34A

| Service item | F.R.T. | Ref. No. | Part No. | Description | Reqd. No. | | | | Serial No. | Area code |
|--------------|--------|----------|----------------|-----------------------|-----------|----------|----|----|------------|--|
| | | | | | Sz | XL500 SA | SB | Rc | | |
| | | 22 | 90303-369-000 | NUT, FLANGE, 8MM | 4 | | | | | |
| | | 23 | 94050-08000 | NUT, FLANGE, 8MM | | 2 | 2 | | | |
| | | 24 | 95700-06010-00 | BOLT, FLANGE, 6X10 | 1 | 1 | 1 | | | |
| | | 25 | 95700-06012-00 | BOLT, FLANGE, 6X12 | 2 | | | | | B, E, ED, F, 1G, 2G CM, DK, DM, SA, U |
| | | | | | 1 | 1 | 1 | | | |
| | | 26 | 95700-08012-00 | BOLT, FLANGE, 8X12 | 1 | 1 | 1 | | | B, E, ED, F, SD, 1G, 2G DK, DM, SA, U |
| | | | | | | | 1 | | | |
| | | 27 | 95700-08032-00 | BOLT, FLANGE, 8X32 | | 2 | 2 | | | |
| | | 28 | 95700-08050-00 | BOLT, FLANGE, 8X50 | | 2 | 2 | | | |
| | | 29 | 96211-08000 | BALL, STEEL, #8 (1/4) | 36 | 36 | 36 | | | |

I 14



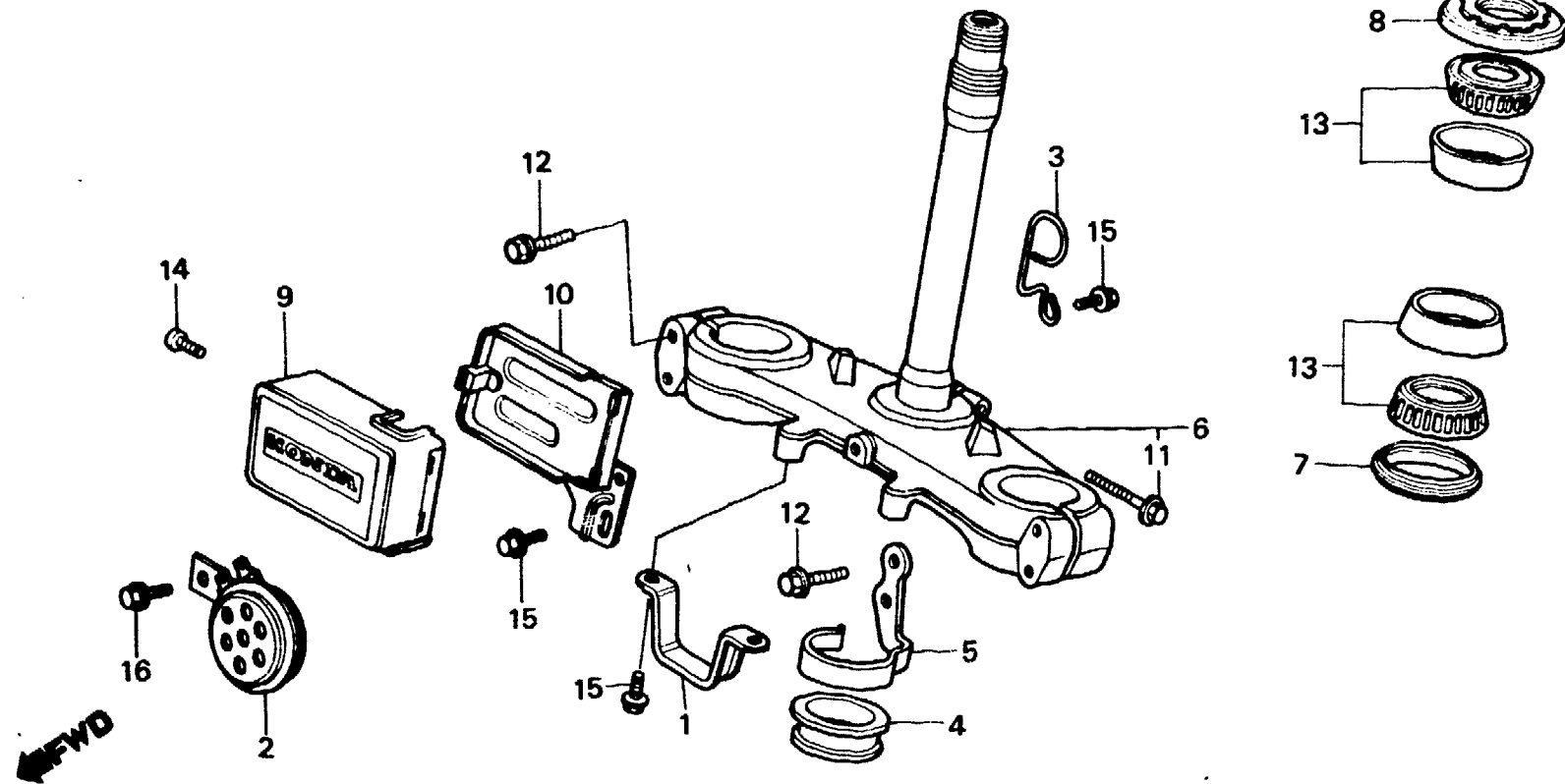
F-5-1

**Steering stem • Horn
(XL500Rc)**

**Tige de direction • Avertisseur
(XL500Rc)**

**Steuerkopfschaft • Hupe
(XL500Rc)**

**Varilla de dirección • Bocina
(XL500Rc)**



BMC4-5

| Service item | F.R.T. | Ref. No. | Part No. | Description | Reqd. No. | | | | Serial No. | Area code |
|--|--------|----------|---------------|-----------------------------|-----------|----|----|----|------------|----------------------|
| | | | | | Sz | SA | Se | Rc | | |
| HORN COMP. | 0.1 | 1 | 32811-MC4-630 | CLAMP, WIRE HARNESS | | | | 1 | | ED,SD |
| BOX COMP., COUPLER SETTING | | 2 | 38110-KB7-004 | HORN COMP. | | | | 1 | | CM,DK,DM,SA,U |
| STEM COMP., STEERING | 1.2 | | 38110-MC4-620 | HORN COMP. | | | | 1 | | B,E,ED,F,IT,SD,1G,2G |
| THREAD COMP., STEERING HEAD | 0.5 | 3 | 45465-MC4-000 | CLAMP, SPEEDOMETER CABLE | | | | 1 | | |
| TOP | | 4 | 45466-KA4-000 | INNER, CABLE GUIDE | | | | 1 | | |
| BEARING, HEAD PIPE UPPER (ONE OR ALL) | 0.8 | 5 | 45468-MC4-000 | GUIDE, BRAKE CABLE BOTTOM | | | | 1 | | |
| | | 6 | 53200-MC4-000 | STEM COMP., STEERING | | | | 1 | | |
| | | 7 | 53214-KA4-701 | DUST SEAL, STEERING HEAD | | | | 1 | | |
| | | 8 | 53220-KA4-000 | THREAD COMP., STEERING HEAD | | | | 1 | | |
| | | | | TOP | | | | | | |
| | | 9 | 61305-KB7-000 | CASE, COUPLER | | | | 1 | | |
| | | 10 | 62100-KB7-000 | BOX COMP., COUPLER SETTING | | | | 1 | | |
| | | 11 | 90086-444-000 | BOLT, FLANGE, 10X45 | | | | 1 | | |
| | | 12 | 90103-KB7-000 | BOLT, FLANGE, 8X45 | | | | 4 | | |

I 15



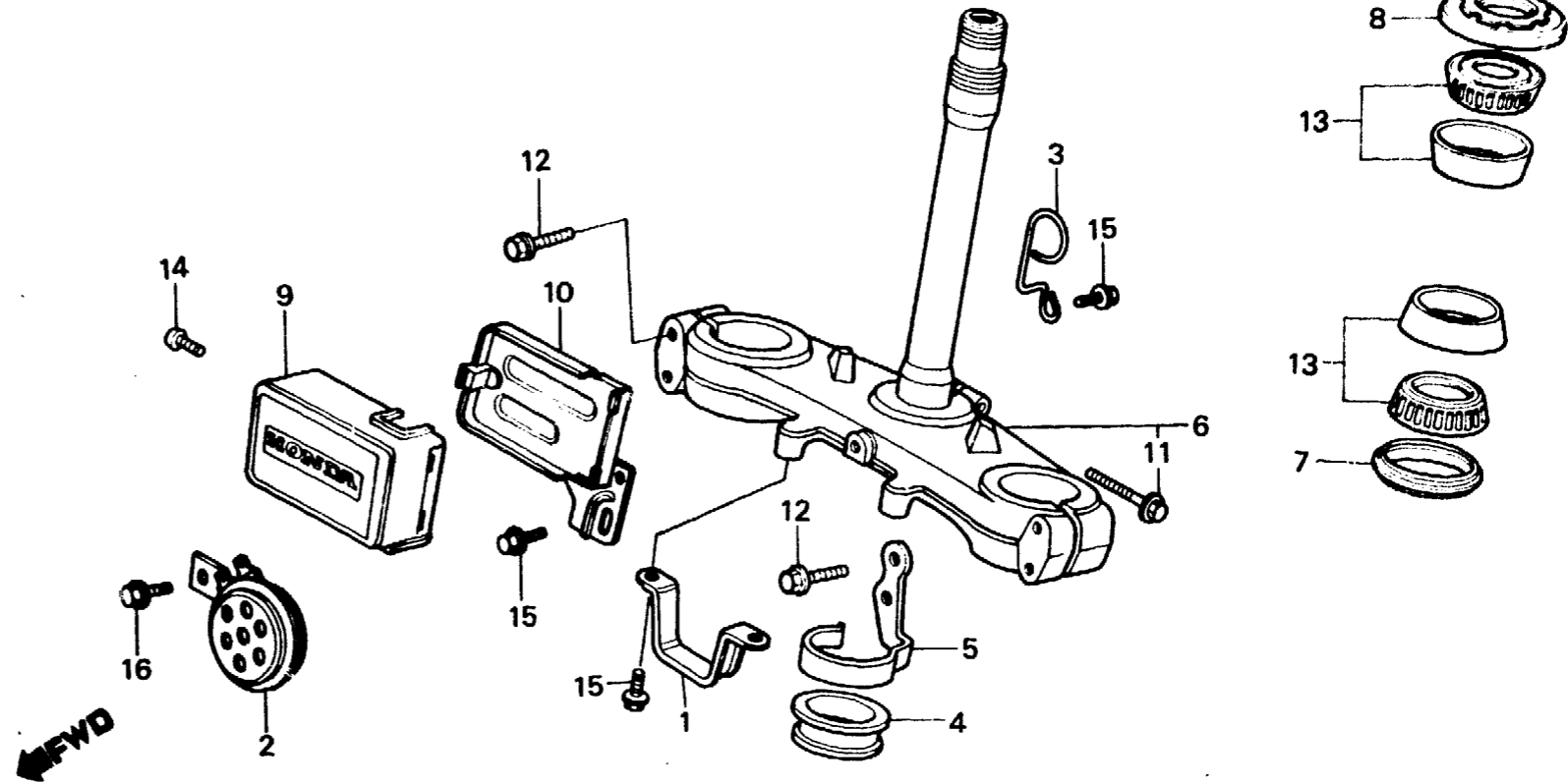
F-5-1

Steering stem • Horn
(XL500Rc)

Tige de direction • Avertisseur
(XL500Rc)

Steuerkopfschaft • Hupe
(XL500Rc)

Varilla de dirección • Bocina
(XL500Rc)



BMC4-5

| Service item | F.R.T. | Ref. No. | Part No. | Description | Reqd. No. | | | | Serial No. | Area code |
|--------------|--------|----------|----------------|-------------------------------------|-----------|-------|----|----|------------|------------------------|
| | | | | | Sz | XL500 | SA | Sa | | |
| | | 13 | 91015-425-831 | BEARING, HEAD PIPE UPPER (TOYO) | | | | | 2 | |
| | | | 91015-425-832 | BEARING, HEAD PIPE UPPER (NACHI) | | | | | 2 | |
| | | 14 | 93500-05008-0A | SCREW, PAN, 5X8 | | | | | 1 | |
| | | 15 | 95700-06012-00 | BOLT, FLANGE, 6X12 | | | | | 2 | B,CM,DK,DM,E,F,IT,SA,U |
| | | | | | | | | | 4 | 1G,2G |
| | | | | | | | | | | ED,SD |
| | | 16 | 95700-08012-00 | BOLT, FLANGE, 8X12 | | | | | 1 | |

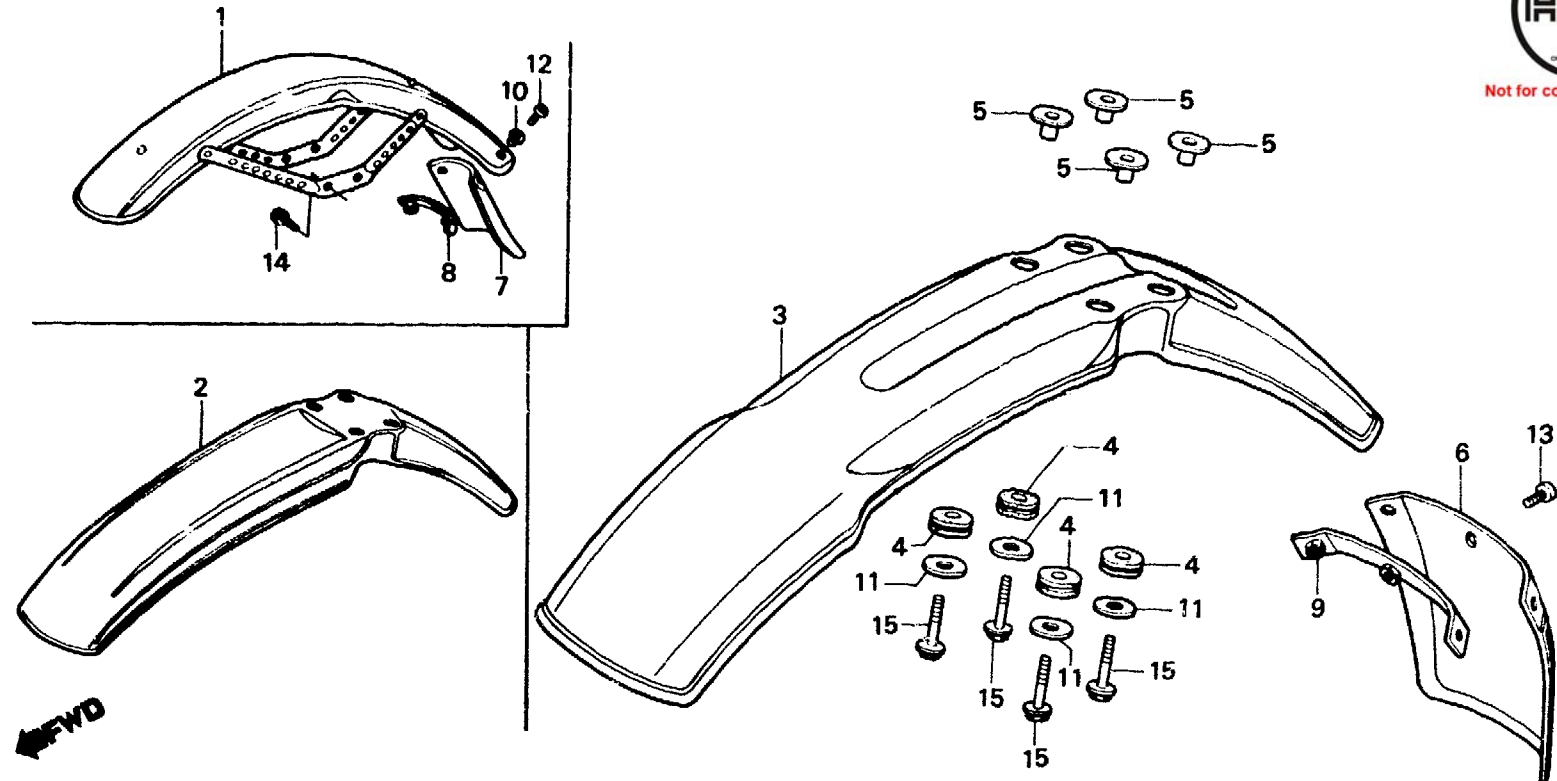
F-6

**Front fender
(XL500Sz·SA·SB)**

**Garde-boue avant
(XL500Sz·SA·SB)**

**Vorderer Kotflügel
(XL500Sz·SA·SB)**

**Parafango delantero
(XL500Sz·SA·SB)**



B435-66

| Service item | F.R.T. | Ref. No. | Part No. | Description | Reqd. No. | | | | Serial No. | Area code | |
|---|--------|----------|-----------------|-----------------------------|-----------|----------|----|----|------------|------------------------|---------------------|
| | | | | | Sz | XL500 SA | Sb | Rc | | | |
| FENDER COMP., FR. FENDER, FR. MUDGUARD, FR. | 0.1 | 1 | 61100-428-610ZA | FENDER COMP., FR. *R-23* | 1 | | | | | 1G,2G | |
| | | | 61100-428-610ZC | FENDER COMP., FR. *NH-24* | 1 | 1 | | | | ED,SD | |
| | | 2 | 61100-428-670ZA | FENDER, FR. *R-23* | 1 | | | | | 1G,2G | |
| | | | 61100-428-670ZC | FENDER, FR. *NH-24* | 1 | | | | | ED,SD | |
| | | | 61100-428-670ZD | FENDER, FR. *R-33* | 1 | 1 | | | | B,CM,DK,DM,E,F,SA,U | |
| | | | 61100-428-920ZA | FENDER, FR. *R-23* | 1 | | | | | B,E,F | |
| | | | 61100-428-920ZB | FENDER, FR. *NH-24* | 1 | | | | | CM | |
| | | 3 | 61100-428-830ZA | FENDER, FR. *R-110* | 1 | | | 1 | | B,DK,DM,E,F,SA,U,1G,2G | |
| | | | 61100-428-830ZB | FENDER, FR. *NH-110M-U* | 1 | | | 1 | | B,DK,DM,E,F,SA,U,1G,2G | |
| | | | 61100-428-830ZD | FENDER, FR. *NH-104M-U* | 1 | | | 1 | | B,DK,DM,E,F,SA,U,1G,2G | |
| | | | 61100-428-840ZC | FENDER, FR. *R-110* | 1 | | | 1 | | B,DK,DM,E,F,SA,U,1G,2G | |
| | | | 61100-428-860ZA | FENDER, FR. *R-110* | 1 | | | 1 | | CM | |
| | | | 61100-428-860ZC | FENDER, FR. *NH-110M-U* | 1 | | | 1 | | ED,SD | |
| | | | 61100-428-860ZD | FENDER, FR. *NH-111* | 1 | | | 1 | | ED,SD | |
| | | 4 | 61103-357-000 | RUBBER, FR. FENDER MOUNTING | 4 | 4 | 4 | | | | ED,SD |
| | | | | | | 4 | 4 | | | | B,CM,DK,DM,E,F,SA,U |
| | | | | | | 4 | 4 | | | | 1G,2G |
| | | 5 | 61104-428-000 | COLLAR, FR. FENDER | 4 | 4 | 4 | | | | B,DK,DM,E,F,SA,U |
| | | | | | | 4 | 4 | | | | 1G,2G |
| | | | | | | 4 | 4 | 4 | | | CM |

J 1

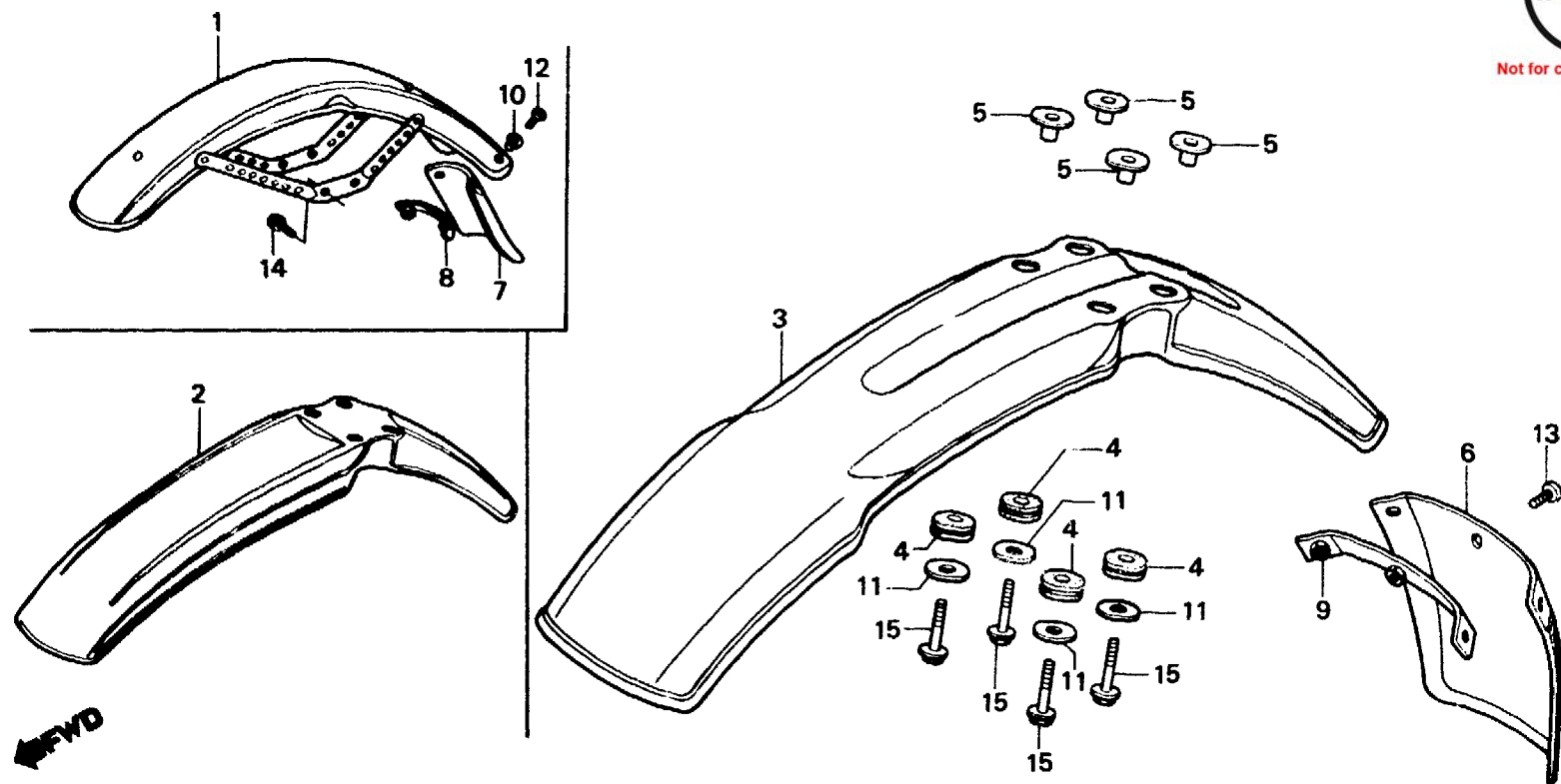
F-6

**Front fender
(XL500Sz·SA·SB)**

**Garde-boue avant
(XL500Sz·SA·SB)**

**Vorderer Kotflügel
(XL500Sz·SA·SB)**

**Parafango delantero
(XL500Sz·SA·SB)**



B435-66

| Service item | F.R.T. | Ref. No. | Part No. | Description | Reqd. No. | | | | Serial No. | Area code |
|--------------|--------|----------|----------------|--------------------------------|-----------|----------|----|----|---------------------------------|-----------|
| | | | | | Sz | XL500 SA | Sb | Rc | | |
| | | | 61104-429-770 | COLLAR, FR. FENDER | | 4 | | | B,DK,DM,E,ED,F,SA,SD,U 1G,2G | |
| | | 6 | 61104-428-920 | MUDGUARD, FR. | | 1 | 1 | | 1G,2G | |
| | | 7 | 61105-428-640 | MUDGUARD, FR. | 1 | 1 | 1 | | ED,SD | |
| | | 8 | 61106-428-690 | PLATE, FR. MUDGUARD | 1 | 1 | 1 | | ED,SD | |
| | | 9 | 61106-428-920 | PLATE, FR. FENDER | | 1 | 1 | | 1G,2G | |
| | | 10 | 90520-134-000 | WASHER, HEADLIGHT CASE SETTING | 2 | 2 | 2 | | ED,SD | |
| | | 11 | 90545-292-000 | WASHER, 6.5X20 | 4 | 4 | 4 | | B,CM,DK,DM,E,F,SA,U 1G,2G | |
| | | 12 | 93500 J5012-0A | SCREW, PAN, 5X12 | 2 | 2 | 2 | | ED,SD | |
| | | 13 | 93500-05016-0A | SCREW, PAN, 5X16 | | 3 | 3 | | 1G,2G | |
| | | 14 | 95700-06012-00 | BOLT, FLANGE, 6X12 | 4 | 4 | 4 | | ED,SD,1G,2G | |
| | | 15 | 95700-06025-00 | BOLT, FLANGE, 6X25 | 4 | 4 | 4 | | B,CM,DK,DM,E,F,SA,U 1G,2G | |

1981.12.20

E

J1

J 2



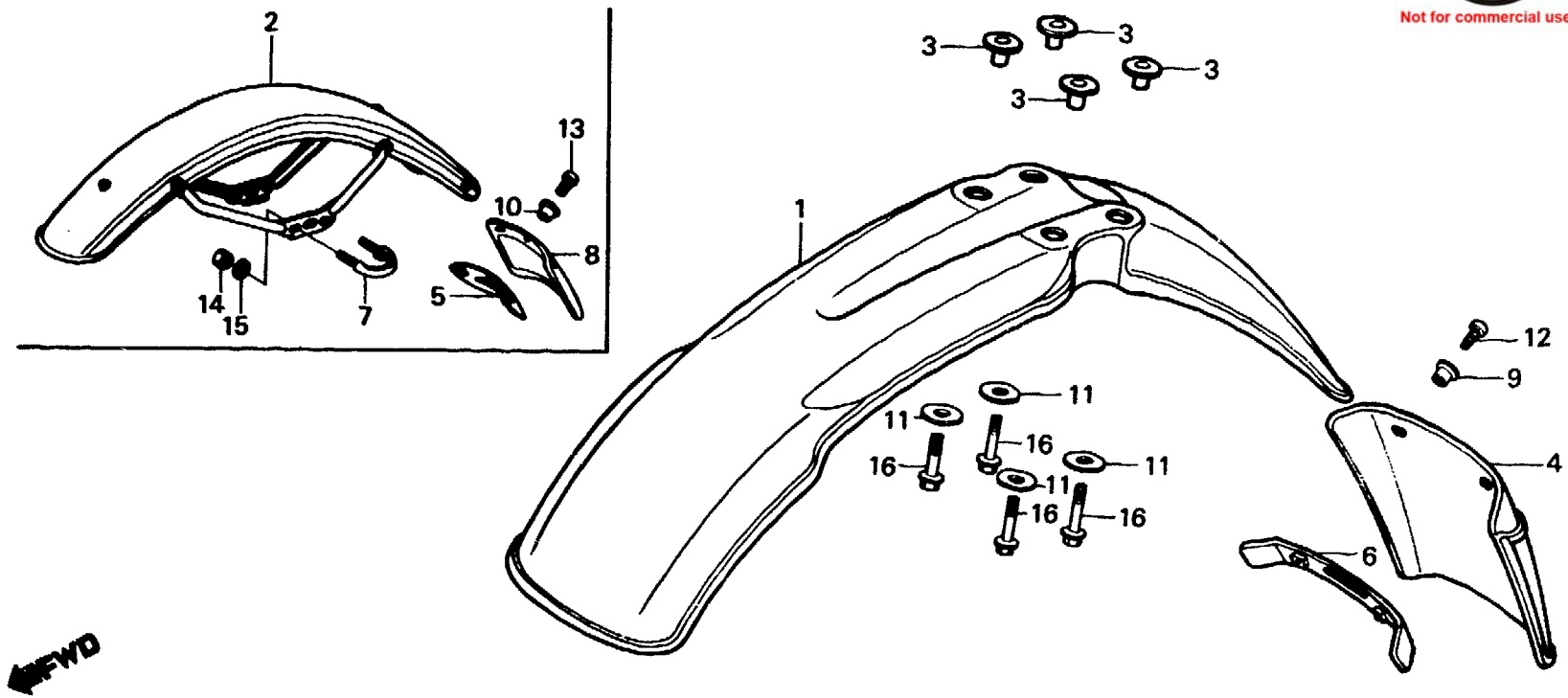
F-6-1

**Front fender
(XL500Rc)**

**Garde-boue avant
(XL500Rc)**

**Vorderer Kotflügel
(XL500Rc)**

**Parafango delantero
(XL500Rc)**



BMC4-26

| Service item | F.R.T. | Ref. No. | Part No. | Description | Reqd. No. | | | | Serial No. | Area code |
|---|---------------|-------------------|-----------------|-------------------------------|-----------|----|----|-------|------------|---------------------------------|
| | | | | | Sz | SA | SA | Rc | | |
| FENDER SET, FR. FENDER COMP., FR. MUDGUARD, FR. | 0.1 | 1 | 611A0-KB7-600ZA | FENDER SET, FR. *R-110* | | | | 1 | | B,DK,DM,E,F,IT,SA,U,1G 2G |
| | | | 611B0-KB7-600ZA | FENDER SET, FR. *NH-24* | | | | 1 | | B,DK,DM,E,F,IT,SA,U,1G 2G |
| | | | 611B0-KB7-600ZB | FENDER SET, FR. *NH-104M-U* | | | | 1 | | B,DK,DM,E,F,IT,SA,U,1G 2G |
| | | | 61100-KB7-000ZA | FENDER, FR. *R-110* | | | | 1 | | CM |
| | | 2 | 61100-MC4-640ZA | FENDER COMP., FR. *R-110* | | | | 1 | | ED,SD |
| | | | 61100-MC4-640ZB | FENDER COMP., FR. *NH-24* | | | | 1 | | ED,SD |
| | | | 61100-MC4-640ZC | FENDER COMP., FR. *NH-104M-U* | | | | 1 | | ED,SD |
| | | 3 | 61104-KA4-700 | COLLAR, FENDER MOUNTING | | | | 4 | | B,CM,DK,DM,E,F,IT,SA,U 1G,2G |
| | | 4 | 61104-KB7-610 | MUDGUARD, FR. | | | | 1 | | 1G,2G |
| | | 5 | 61105-KB7-640 | PLATE, FR. MUDGUARD | | | | 1 | | ED,SD |
| 6 | 61106-KB7-610 | PLATE, FR. FENDER | | | | 1 | | 1G,2G | | |
| 7 | 61106-KB7-640 | BAND, FR. FENDER | | | | 2 | | ED,SD | | |



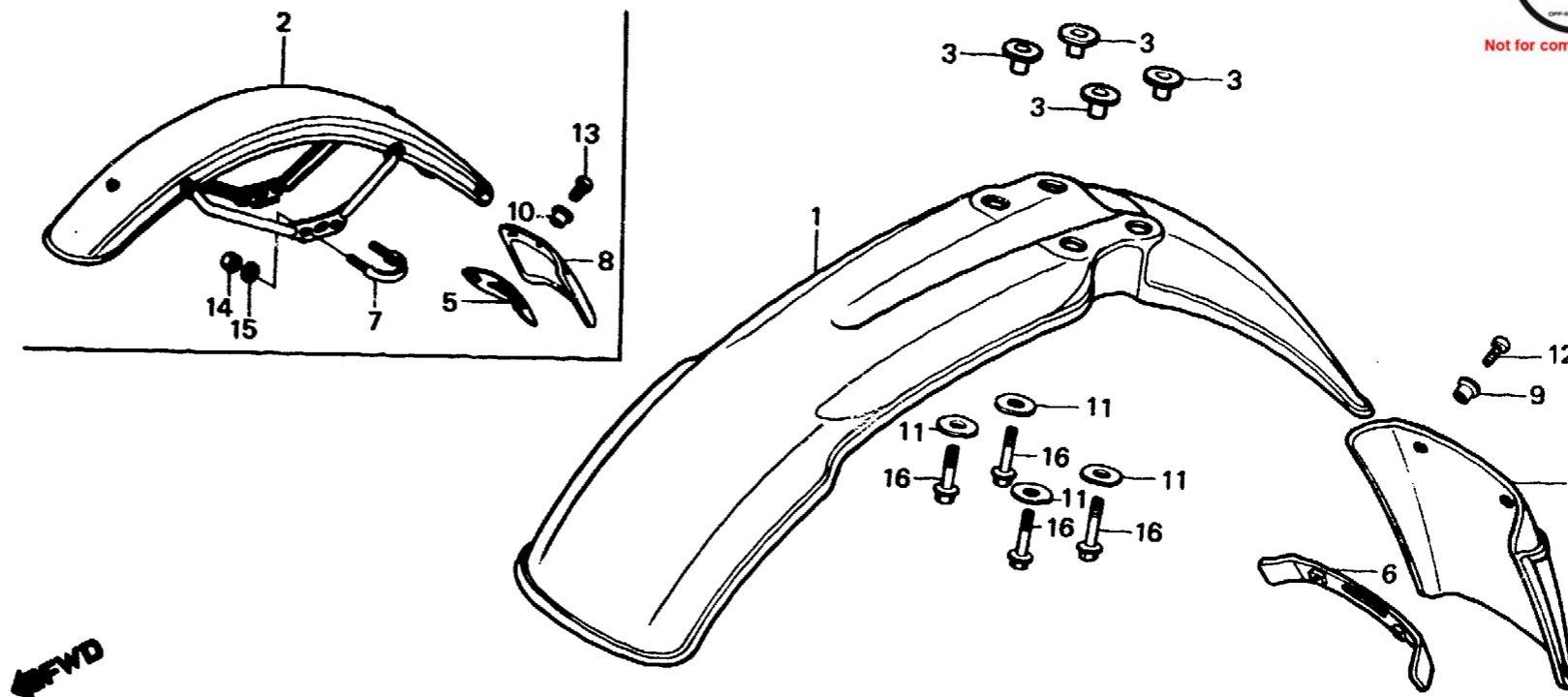
F-6-1

Front fender
(XL500Rc)

Garde-boue avant
(XL500Rc)

Vorderer Kotflügel
(XL500Rc)

Parafango delantero
(XL500Rc)



BMC4-26

| Service item | F.R.T. | Ref. No. | Part No. | Description | Reqd. No. | | | | Serial No. | Area code |
|--------------|--------|----------|----------------|--------------------------------|-----------|----|----|----|------------|---------------------------------|
| | | | | | Sz | SA | SA | Rc | | |
| | | 8 | 61114-033-000 | MUDGUARD, FR. | | | | 1 | | ED,SD |
| | | 9 | 90520-134-000 | WASHER, HEADLIGHT CASE SETTING | | | | 2 | | 1G,2G |
| | | 10 | 90522-028-000 | WASHER, CHAIN CASE SETTING | | | | 3 | | ED,SD |
| | | 11 | 90545-292-000 | WASHER, 6.5X20 | | | | 4 | | B,CM,DK,DM,E,F,IT,SA,U 1G,2G |
| | | 12 | 93500-05012-0A | SCREW, PAN, 5X12 | | | | 2 | | 1G,2G |
| | | 13 | 93500-06014 | SCREW, PAN, 6X14 | | | | 3 | | ED,SD |
| | | 14 | 94001-06000 | NUT, HEX., 6MM | | | | 4 | | ED,SD |
| | | 15 | 94101-06000 | WASHER, PLAIN, 6MM | | | | 4 | | ED,SD |
| | | 16 | 95700-06020-00 | BOLT, FLANGE, 6X20 | | | | 4 | | B,CM,DK,DM,E,F,IT,SA,U 1G,2G |