



E-16-2

Carburetor
(XL500Rc)

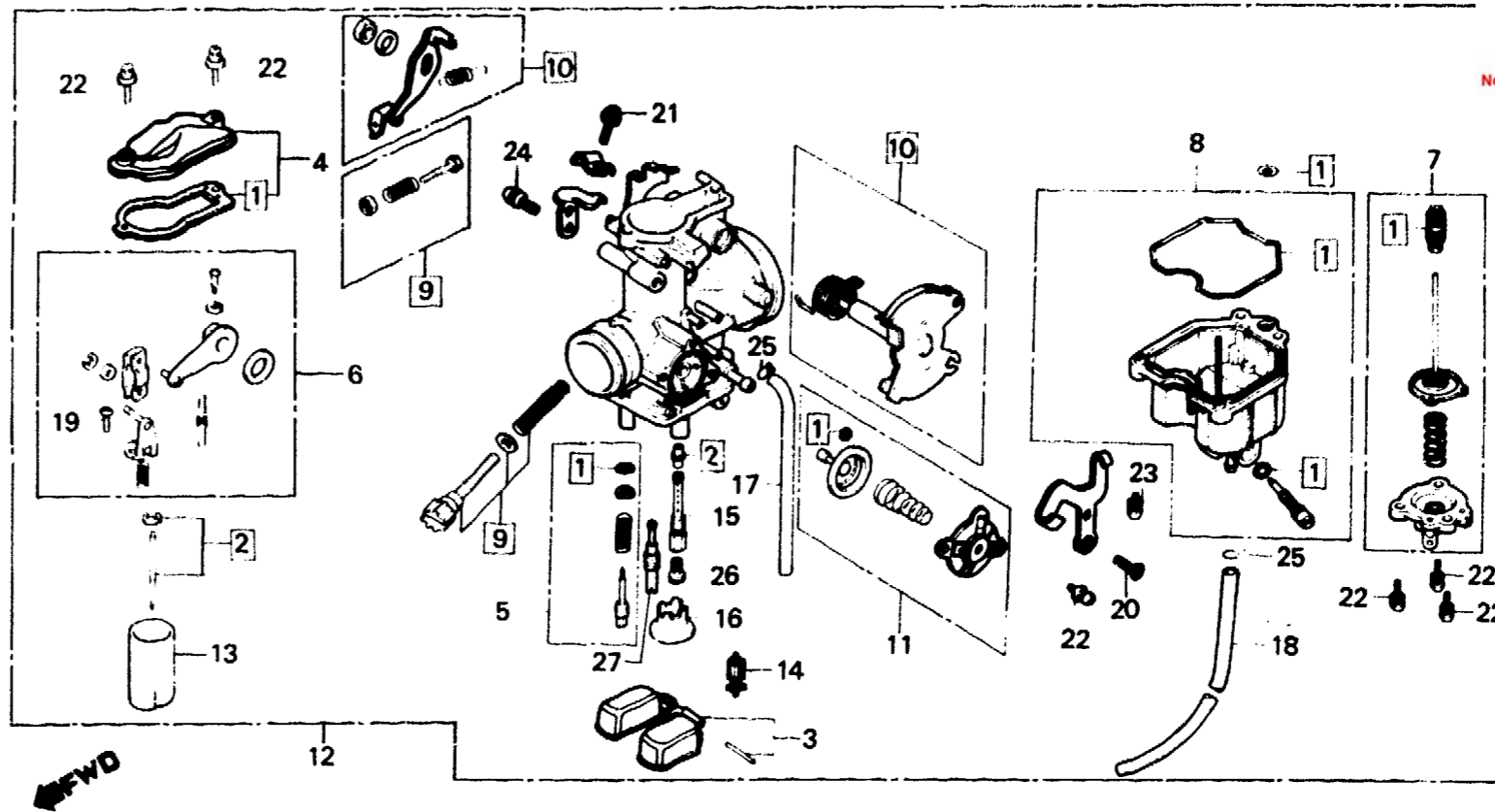
Carburateur
(XL500Rc)

Vergaser
(XL500Rc)

Carburador
(XL500Rc)



Not for commercial use



BMC4-2

Service item	F.R.T.	Ref. No.	Part No.	Description	Reqd. No.				Serial No.	Area code
					Sz	SA	Sm	R:		
PACKING SET	1.0	1	16010-435-671	PACKING SET					1	
NEEDLE SET, JET	0.8	2	16012-MC4-601	NEEDLE SET, JET					1	
FLOAT SET	0.6	3	16013-397-971	FLOAT SET					1	
CHAMBER SET B, FLOAT		4	16014-429-671	TOP SET					1	
VALVE COMP., FLOAT		5	16016-435-781	SCREW SET A					1	
HOLDER, NEEDLE JET										
JET, MAIN		6	16018-428-671	ARM SET, LINK					1	
TOP SET	0.2	7	16021-428-771	DIAPHRAGM SET, PUMP					1	
ARM SET, LINK	0.7	8	16023-426-003	CHAMBER SET B, FLOAT					1	
LINK SET, THROTTLE		9	16028-435-771	SCREW SET B					1	
VALVE SET, AIR CUT	0.1	10	16032-435-671	LINK SET, THROTTLE					1	
CARBURETOR ASSY.	0.5									
VALVE, THROTTLE		11	16048-KB7-004	VALVE SET, AIR CUT					1	
		12	16100-MC4-601	CARBURETOR ASSY.					1	
		13	16111-435-671	VALVE, THROTTLE					1	
		14	16155-413-751	VALVE COMP., FLOAT					1	
		15	16165-435-671	HOLDER, NEEDLE JET					1	

1981.12.20

E

F5

F 6

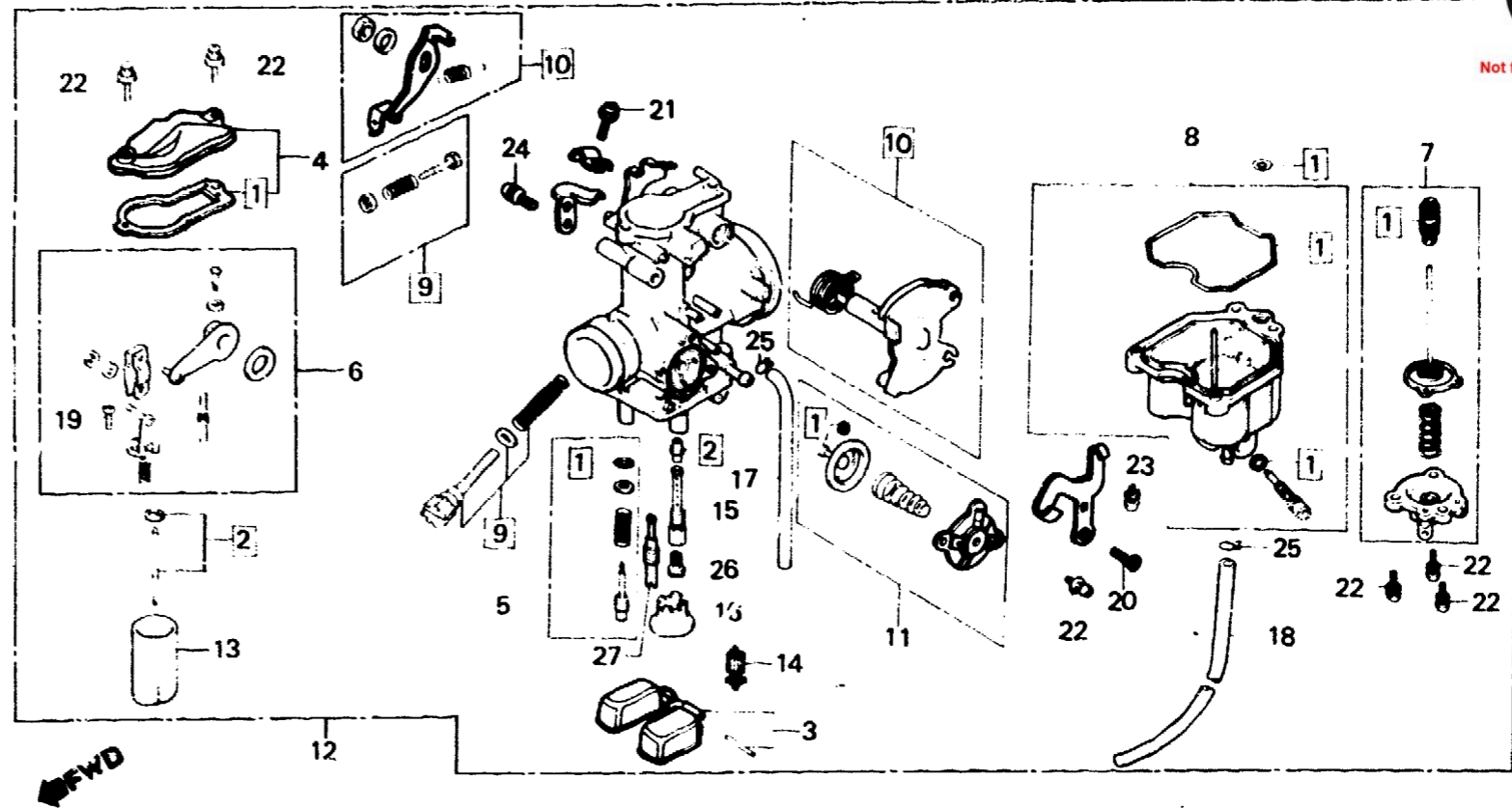
E-16-2

**Carburetor
(XL500Rc)**

**Carburateur
(XL500Rc)**

**Vergaser
(XL500Rc)**

**Carburador
(XL500Rc)**



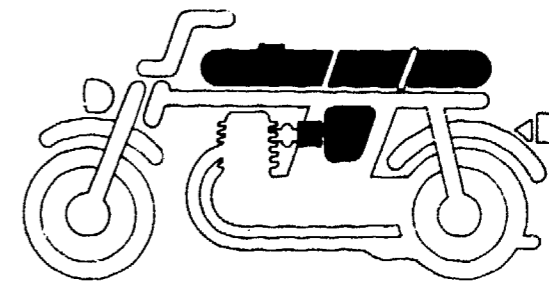
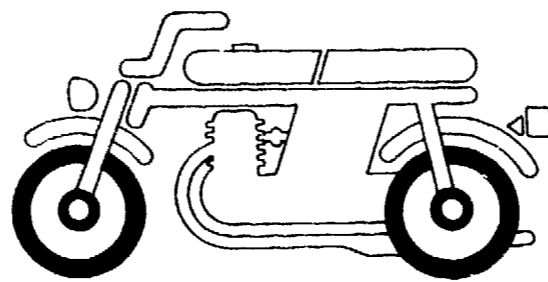
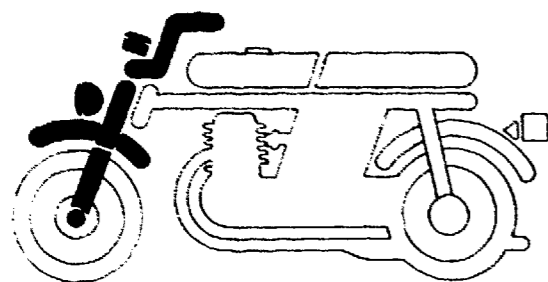
BMC4-2

Service item	F.R.T.	Ref. No.	Part No.	Description	Reqd. No.				Serial No.	Area code
					Sz	SA	SA	Rc		
		16	16168-382-014	HOLDER, JET					1	
		17	16199-355-701	TUBE, AIR VENT					1	
		18	16199-402-004	TUBE, OVER FLOW					1	
		19	93500-03008-0H	SCREW, PAN, 3X8					2	
		20	93600-05010-0H	SCREW, FLAT, 5X10					1	
		21	93892-04008-08	SCREW-WASHER, 4X8					1	
		22	93892-04012-08	SCREW-WASHER, 4X12					7	
		23	93892-04016-08	SCREW-WASHER, 4X16					3	
		24	93892-05010-08	SCREW-WASHER, 5X10					1	
		25	95002-02070	CLIP B7, TUBE					2	
		26	99101-393-1300	JET, MAIN, #130					1	
		27	99103-437-0550	JET, SLOW, #55					1	

1981.12.20

E

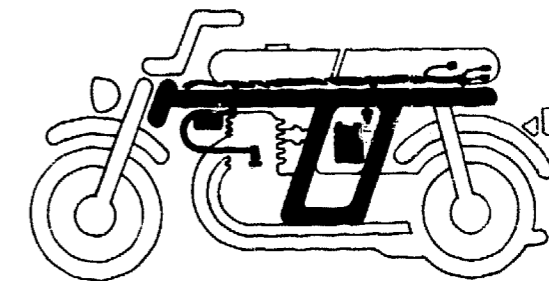
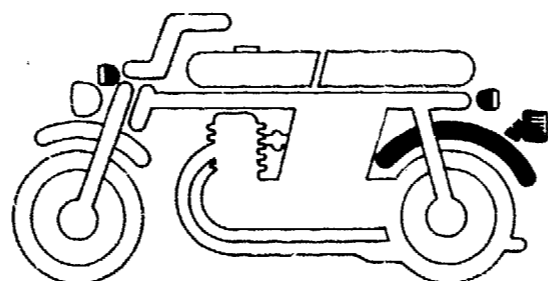
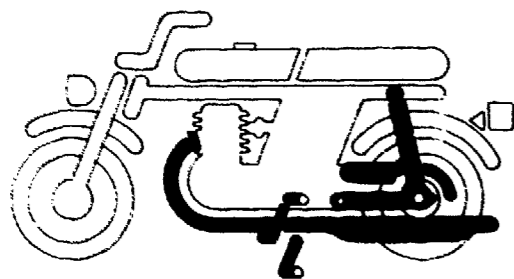
F6



F-1	Headlight	G 2
F-2	Meter · Headlight stay	H 1
F-3	Handle lever · Switch · Cable	H13
F-4	Handle pipe · Top bridge	I 7
F-5	Steering stem · Horn	I11
F-6	Front fender	I16

F-7	Front fork	J 4
F-8	Front brake panel	K 1
F-9	Front wheel	K 6
F-10	Rear brake panel	K11
F-11	Rear wheel	K14

F-12	Fuel tank	L 6
F-13	Seat	L11
F-14	Side cover	L14
F-15	Air cleaner	M 3



F-16	Exhaust muffer	M11
F-17	Pedal · Kick starter arm	N 3
F-18	Step	N10
F-19	Rear fork · Chain case	N14
F-20	Rear cushion	2-C11

F-21	Rear fender	2-C16
F-22	Winker	2-D10
F-23	Taillight	2-E13

F-24	Wire harness · C.D.I. unit · Ignition coil	2-F7
F-25	Battery	2-F14
F-26	Frame body	2-F16
F-27	Tool	2-G8
F-28	Stripe · Emblem	2-G11

G 2

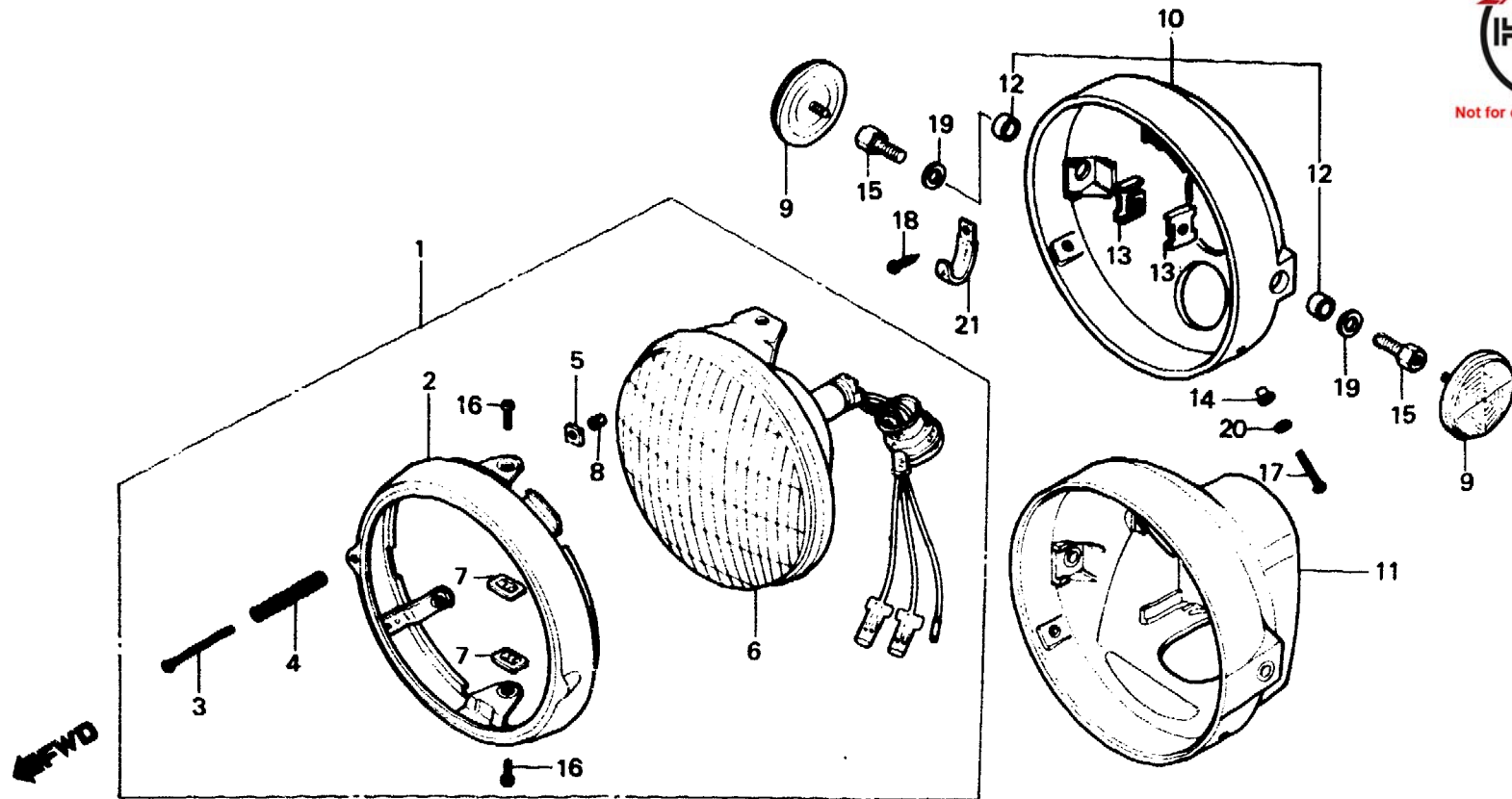
F-1

**Headlight
(CM)**

**Phare
(CM)**

**Scheinwerfer
(CM)**

**Faro delantero
(CM)**



B428-17A

Service item	F.R.T.	Ref. No.	Part No.	Description	Reqd. No.				Serial No.	Area code
					Sz	XL500	Sa	Rc		
HEADLIGHT ASSY.	0.1	1	33100-428-671	HEADLIGHT ASSY. (6V 35/36.5W)	1	1	1		CM	
HEADLIGHT UNIT	0.2		33100-MC4-670	HEADLIGHT ASSY.				1	CM	
INC. RELATIVE PART		2	33101-329-671	RIM, HEADLIGHT	1	1	1	1	CM	
CASE, HEADLIGHT	0.3	3	33103-329-671	SCREW, HEADLIGHT BEAM	1	1	1	1	CM	
		4	33107-283-023	ADJUSTING SPRING, HEADLIGHT BEAM	1	1	1	1	CM	
		5	33117-001-023	ADJUSTING NUT, HEADLIGHT BEAM	1	1	1	1	CM	
		6	33120-428-671	HEADLIGHT UNIT	1	1	1		CM	
			33120-MC4-670	HEADLIGHT UNIT				1	CM	
		7	33128-200-033	NUT, UNIT HOLDER	2	2	2		CM	
			33128-292-670	NUT, UNIT HOLDER				2	CM	
		8	33136-426-830	COVER, SCREW				1	CM	
		9	33741-428-671	REFLECTOR, FR. REFLEX	2	2	2	2	CM	
		10	61301-MC4-670ZA	CASE, HEADLIGHT *NH-1*				1	CM	
		11	61301-399-000ZA	CASE, HEADLIGHT *NH-1*	1	1	1		CM	
		12	61302-229-300	COLLAR, HEADLIGHT CASE				2	CM	

G 3



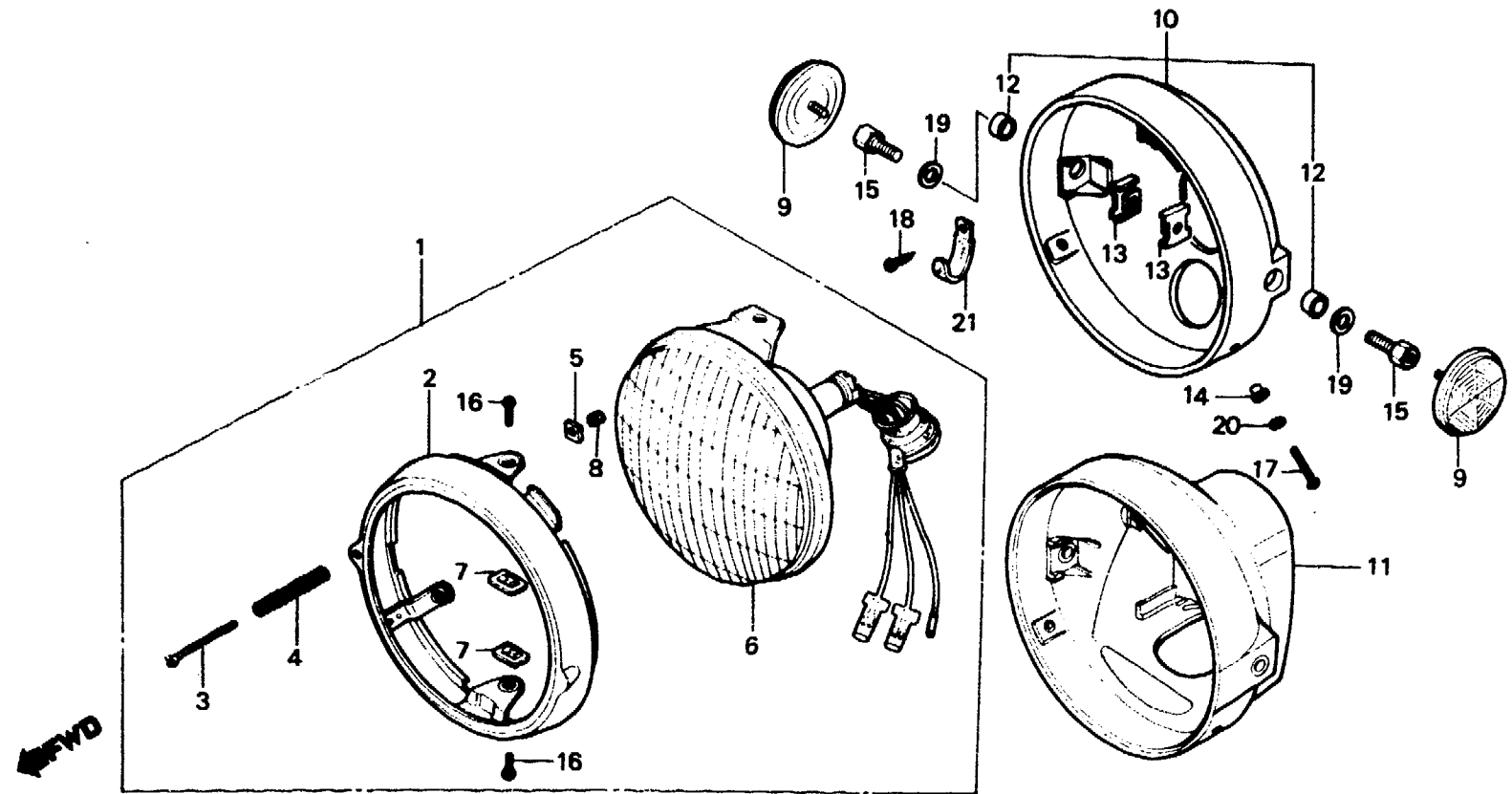
F-1

**Headlight
(CM)**

**Phare
(CM)**

**Scheinwerfer
(CM)**

**Faro delantero
(CM)**



B428-17A

Service item	F.R.T.	Ref. No.	Part No.	Description	Reqd. No.				Serial No.	Area code
					Sz	XL500 SA	S _n	Rc		
		13	61303-105-C00	NUT, HEADLIGHT CASE	2	2	2	2		CM
		14	61304-292-000	COLLAR, HEADLIGHT SETTING	2	2	2	2		CM
		15	90123-428-000	BOLT, HEADLIGHT STAY	2	2	2	2		CM
		16	93500-05008-0H	SCREW, PAN, 5X8	2	2	2	2		CM
		17	93500-05016-0B	SCREW, PAN, 5X16	2	2	2	2		CM
		18	93901-14110	SCREW, TAPPING, 4X8	1	1	1	1		CM
		19	94102-08700	WASHER, PLAIN, 8MM	2	2	2	2		CM
		20	94111-05000	WASHER, SPRING, 5MM	2	2	2	2		CM
		21	94591-45000	CLIP, WIRE, 4X50	1	1	1	1		CM



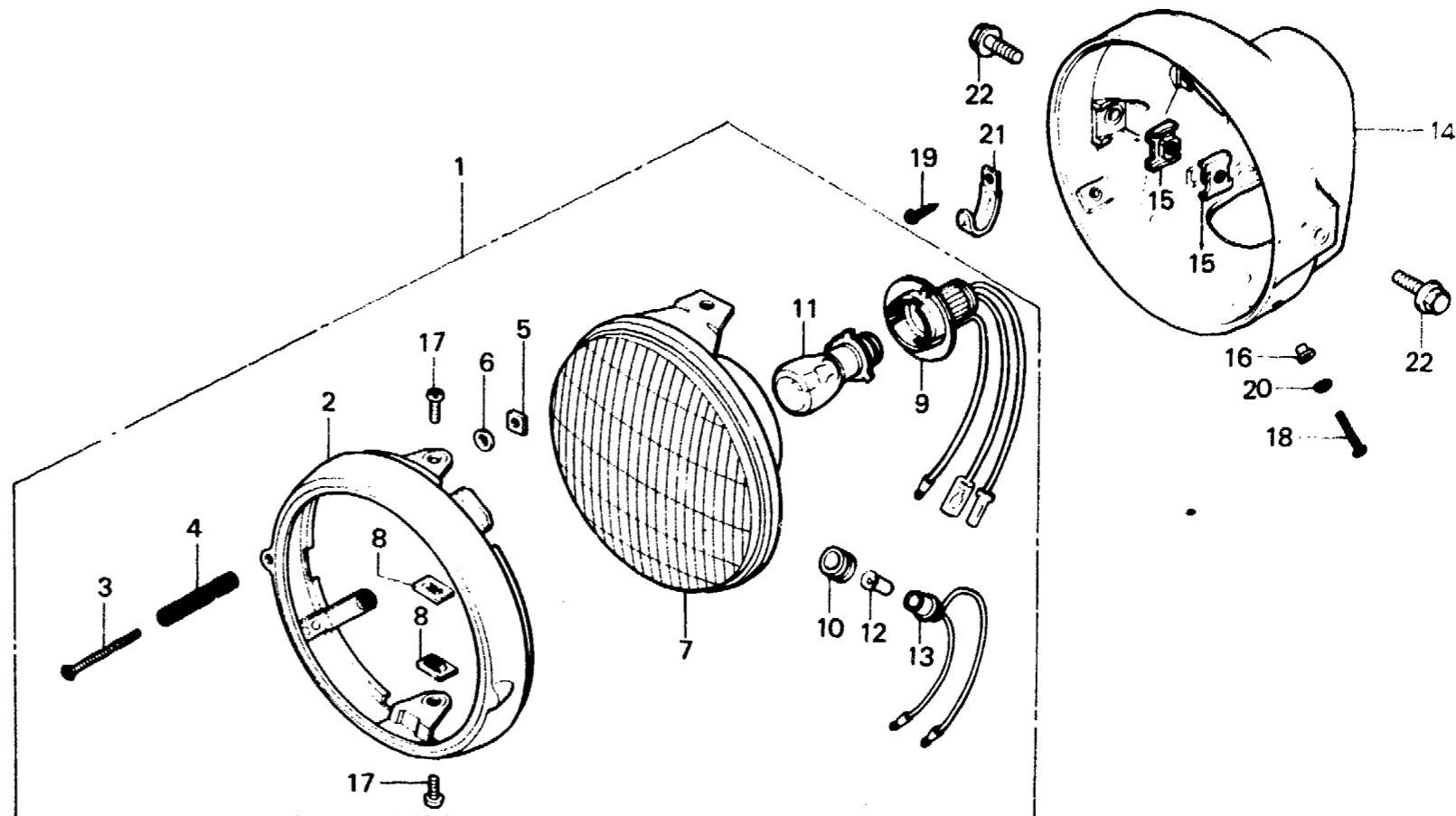
F-1-1

Headlight
(XL500Sz, SA-DK, DM, SA, U)

Phare
(XL500Sz, SA-DK, DM, SA, U)

Scheinwerfer
(XL500Sz, SA-DK, DM, SA, U)

Faro delantero
(XL500Sz, SA-DK, DM, SA, U)



B435-32

Service item	F.R.T.	Ref. No.	Part No.	Description	Reqd. No.				Serial No.	Area code
					Sz	SA	Sb	Rc		
HEADLIGHT ASSY.	0.1	1	33100-435-000	HEADLIGHT ASSY. (6V 35/36W-3W)	1	1			DK, DM, SA, U	
SOCKET, HEADLIGHT		2	33101-329-671	RIM, HEADLIGHT	1	1			DK, DM, SA, U	
SOCKET, POSITION LIGHT		3	33103-329-003	SCREW, HEADLIGHT BEAM	1	1			DK, DM, SA, U	
HEADLIGHT UNIT	0.2			ADJUSTING						
INC. RELATIVE PART		4	33107-200-023	SPRING, HEADLIGHT BEAM	1	1			DK, DM, SA, U	
CASE, HEADLIGHT	0.3			ADJUSTING						
		5	33117-001-023	NUT, HEADLIGHT BEAM ADJUSTING	1	1			DK, DM, SA, U	
		6	33119-371-003	WASHER, BEAM ADJUSTING	1	1			DK, DM, SA, U	
		7	33121-435-000	HEADLIGHT UNIT	1	1			DK, DM, SA, U	
		8	33128-200-033	NUT, UNIT HOLDER	2	2			DK, DM, SA, U	
		9	33130-243-670	SOCKET, HEADLIGHT	1	1			DK, DM, SA, U	
		10	33905-303-003	RUBBER, JOINT (STANLEY)	1	1			DK, DM, SA, U	
		11	34901-329-003	BULB, HEADLIGHT (6V35/36W-3W)	1	1			DK, DM, SA, U	
		12	34903-303-003	BULB, POSITION LIGHT (6V3W) (STANLEY)	1	1			DK, DM, SA, U	



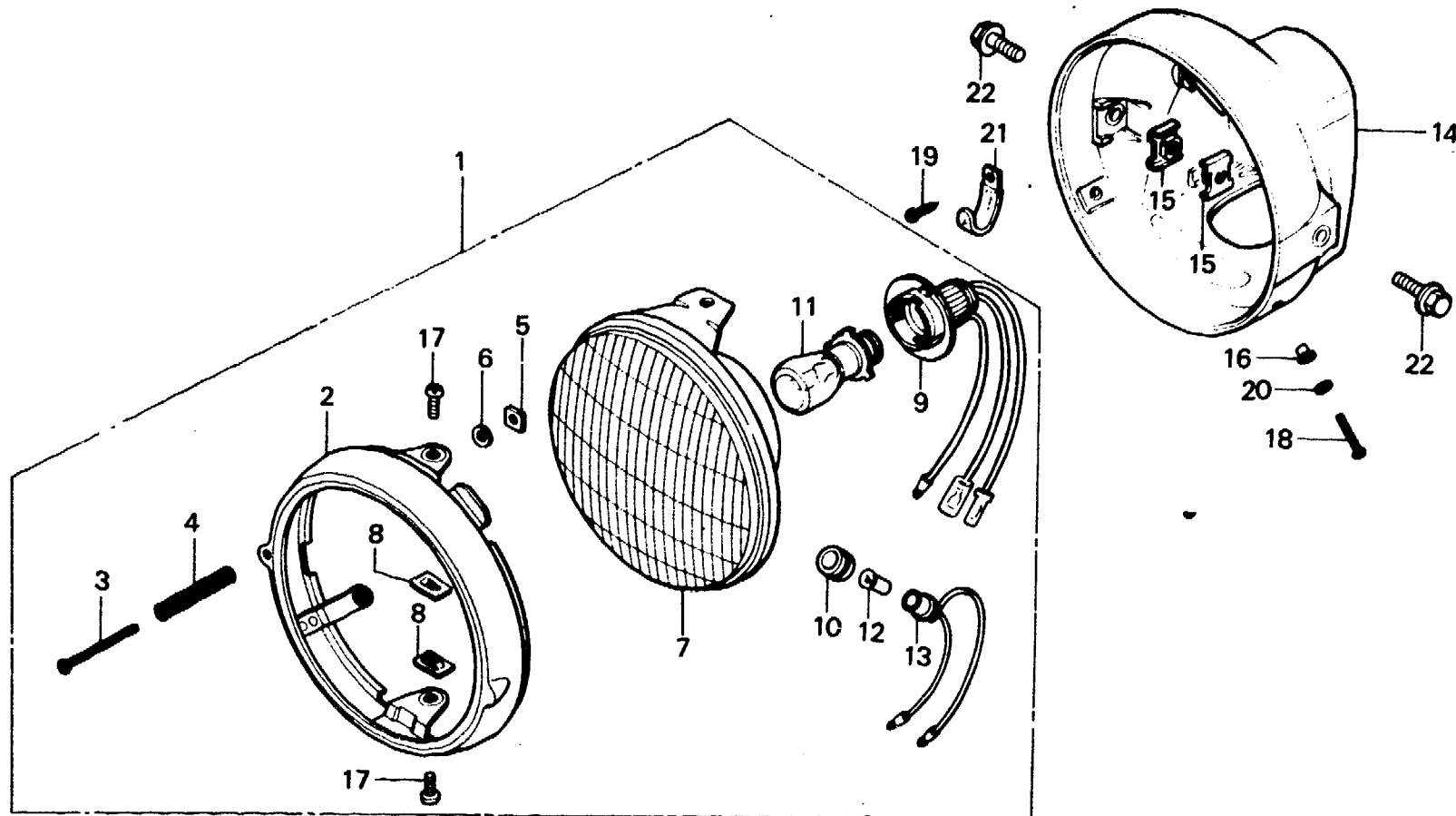
F-1-1

Headlight
(XL500Sz, SA-DK, DM, SA, U)

Phare
(XL500Sz, SA-DK, DM, SA, U)

Scheinwerfer
(XL500Sz, SA-DK, DM, SA, U)

Faro delantero
(XL500Sz, SA-DK, DM, SA, U)



B435-32

Service item	F.R.T.	Ref. No.	Part No.	Description	Reqd. No.				Serial No.	Area code
					Sz	SA	Ss	Rc		
		13	34904-303-003	SOCKET, POSITION LIGHT (STANLEY)	1	1			DK, DM, SA, U	
		14	61301-399-000ZA	CASE, HEADLIGHT *NH-1*	1	1			DK, DM, SA, U	
		15	61303-105-000	NUT, HEADLIGHT CASE	2	2			DK, DM, SA, U	
		16	61304-292-000	COLLAR, HEADLIGHT SETTING	2	2			DK, DM, SA, U	
		17	93500-05008-0H	SCREW, PAN, 5X8	2	2			DK, DM, SA, U	
		18	93500-05016-0B	SCREW, PAN, 5X16	2	2			DK, DM, SA, U	
		19	93901-14110	SCREW, TAPPING, 4X8	1	1			DK, DM, SA, U	
		20	94111-05000	WASHER, SPRING, 5MM	2	2			DK, DM, SA, U	
		21	94591-45000	CLIP, WIRE, 4X50	1	1			DK, DM, SA, U	
		22	95700-08016-00	BOLT, FLANGE, 8X16	2	2			DK, DM, SA, U	



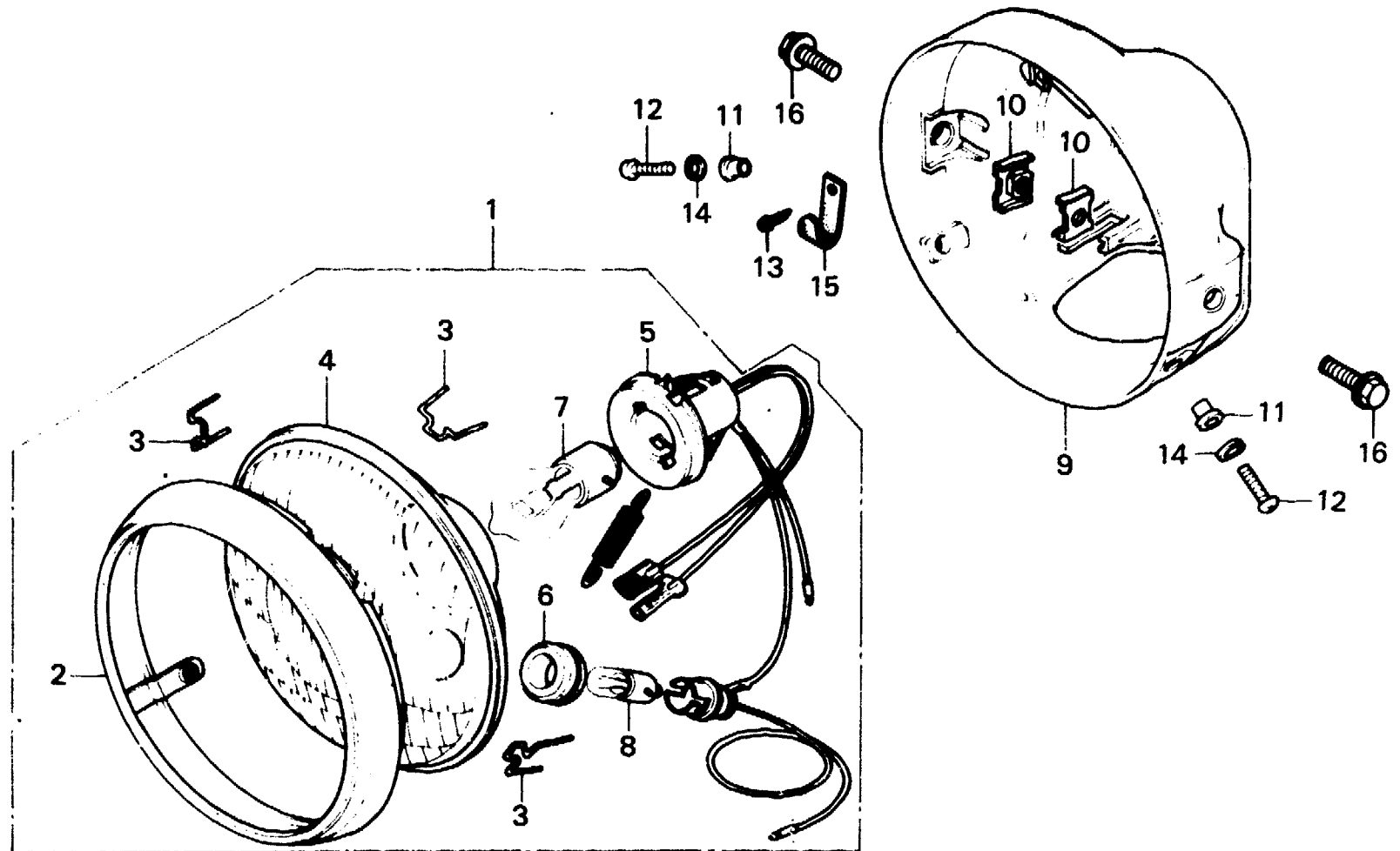
F-1-2

Headlight
(XL500Sz, SA-B, E, ED, SD, 1G, 2G)

Phare
(XL500Sz, SA-B, E, ED, SD, 1G, 2G)

Scheinwerfer
(XL500Sz, SA-B, E, ED, SD, 1G, 2G)

Faro delantero
(XL500Sz, SA-B, E, ED, SD, 1G, 2G)



B428-43

Service item	F.R.T.	Ref. No.	Part No.	Description	Reqd. No.				Serial No.	Area code
					Sz	XL500	SA	SB		
HEADLIGHT ASSY. SOCKET COMP., HEADLIGHT	0.1	1	33100-399-601	HEADLIGHT ASSY. (6V35/35W) (STANLEY)	1	1				B, E, ED, SD, 1G, 2G
BULB, HEADLIGHT		2	33101-399-601	RIM, HEADLIGHT (STANLEY)	1	1				B, E, ED, SD, 1G, 2G
HEADLIGHT UNIT	0.2	3	33108-028-013	SPRING, UNIT HOLDER (STANLEY)	3	3				B, E, ED, SD, 1G, 2G
INC. RELATIVE PART		4	33120-304-610	HEADLIGHT UNIT	1	1				B, E, ED, SD, 1G, 2G
CASE, HEADLIGHT	0.3	5	33130-399-601	SOCKET COMP., HEADLIGHT (STANLEY)	1	1				B, E, ED, SD, 1G, 2G
		6	33905-303-003	RUBBER, JOINT (STANLEY)	1	1				B, E, ED, SD, 1G, 2G
		7	34901-383-611	BULB, HEADLIGHT (6V35/35W) (LOCAL PROCUREMENT PART)	1	1				B, E, ED, SD, 1G, 2G
		8	34903-383-611	BULB, POSITION (6V4W) (LOCAL PROCUREMENT PART)	1	1				B, E, ED, SD, 1G, 2G
		9	61301-399-000ZA	CASE, HEADLIGHT *NH-1*	1	1				B, E, ED, SD, 1G, 2G
		10	61303-105-000	NUT, HEADLIGHT CASE	2	2				B, E, ED, SD, 1G, 2G
		11	61304-292-000	COLLAR, HEADLIGHT SETTING	2	2				B, E, ED, SD, 1G, 2G
		12	93500-05016-0B	SCREW, PAN, 5X16	2	2				B, E, ED, SD, 1G, 2G
		13	93901-14110	SCREW, TAPPING, 4X8	1	1				B, E, ED, SD, 1G, 2G

G 7



F-1-2

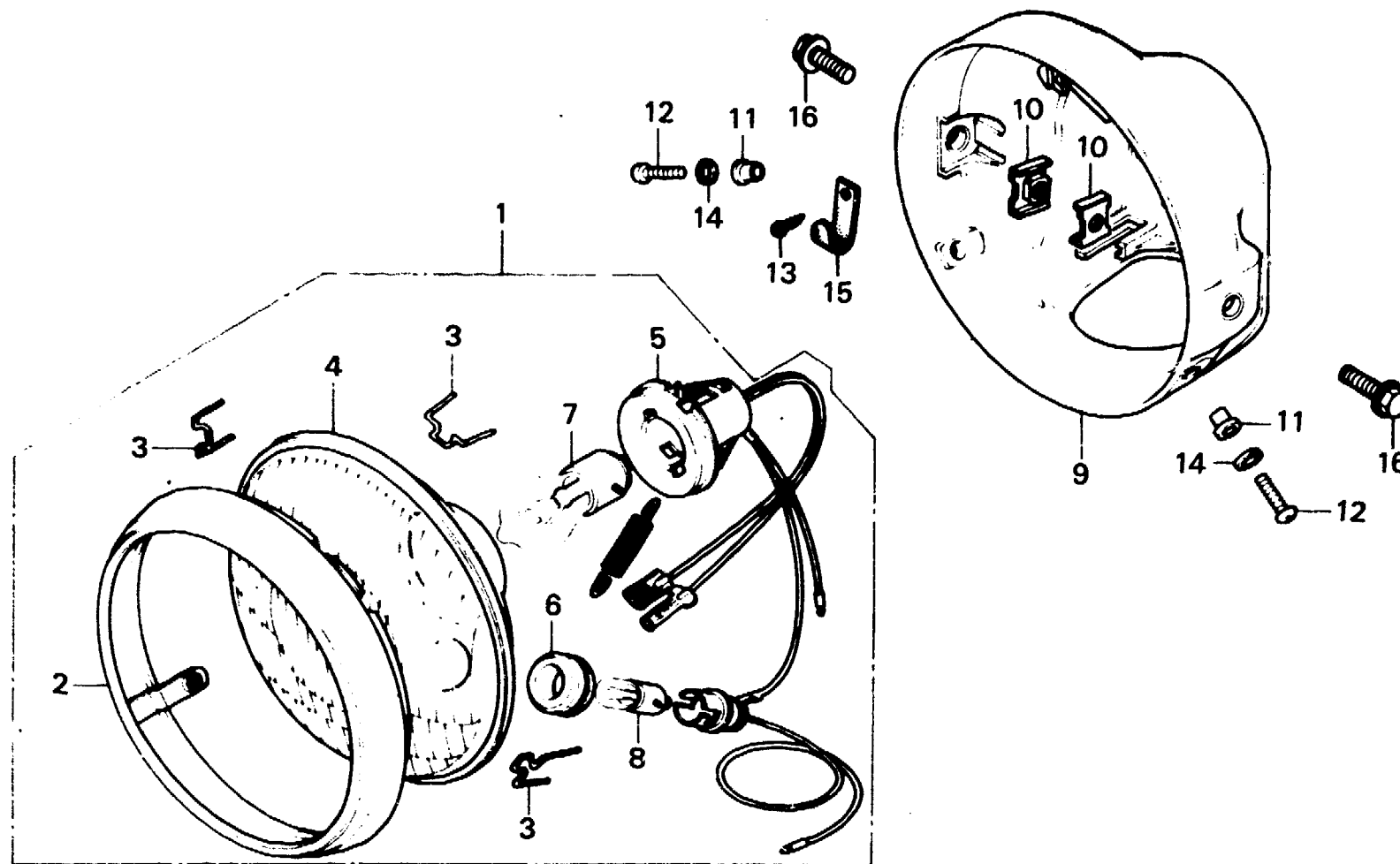
**Headlight
(XL500Sz, SA-B, E, ED, SD, 1G, 2G)**

**Phare
(XL500Sz, SA-B, E, ED, SD, 1G, 2G)**

**Scheinwerfer
(XL500Sz, SA-B, E, ED, SD, 1G, 2G)**

**Faro delantero
(XL500Sz, SA-B, E, ED, SD, 1G, 2G)**

FWD



B428-43

Service item	F.R.T.	Ref. No.	Part No.	Description	Reqd. No.				Serial No.	Area code
					Sz	XL500 SA	SA	Rc		
		14	94111-05000	WASHER, SPRING, 5MM	2	2			B, E, ED, SD, 1G, 2G	
		15	94591-45000	CLIP, WIRE, 4X50	1	1			B, E, ED, SD, 1G, 2G	
		16	95700-08016-00	BOLT, FLANGE, 8X16	2	2			B, E, ED, SD, 1G, 2G	

1981.12.20

E

G7

G 8



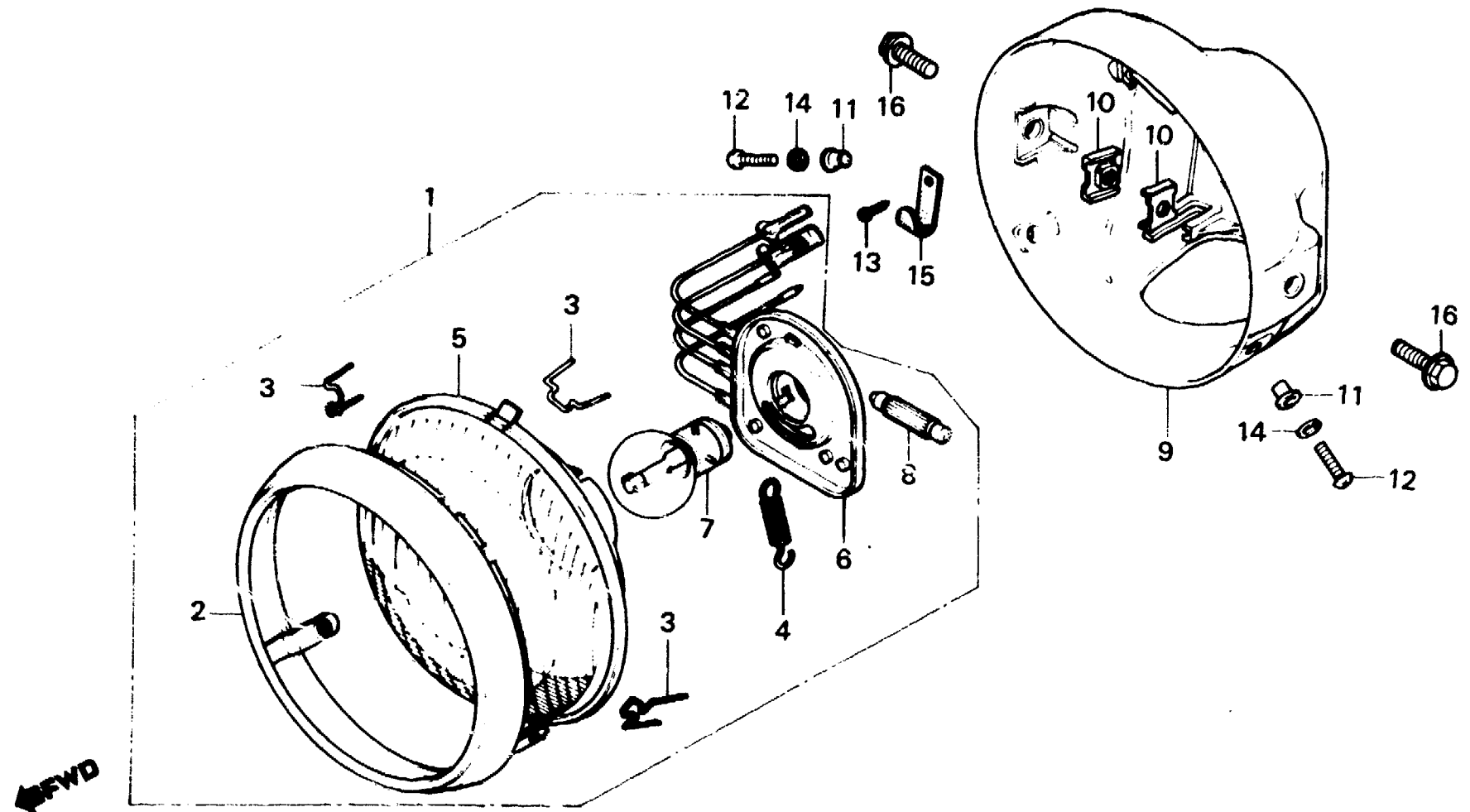
F-1-3

**Headlight
(XL500Sz,SA-F)**

**Phare
(XL500Sz,SA-F)**

**Scheinwerfer
(XL500Sz,SA-F)**

**Faro delantero
(XL500Sz,SA-F)**



B428-42

Service item	F.R.T.	Ref. No.	Part No.	Description	Reqd. No.				Serial No.	Area code
					Sz	SA	Se	Rc		
HEADLIGHT ASSY.	0.1	1	33100-399-621	HEADLIGHT ASSY. (6V36/36W) (STANLEY)	1	1			F	
SOCKET COMP., HEADLIGHT		2	33101-399-601	RIM, HEADLIGHT (STANLEY)	1	1			F	
BULB, HEADLIGHT		3	33108-028-013	SPRING, UNIT HOLDER (STANLEY)	3	3			F	
HEADLIGHT UNIT	0.2	3	33108-028-013	SPRING, UNIT HOLDER (STANLEY)	3	3			F	
INC. RELATIVE PART		4	33115-286-621	SPRING, SOCKET HOLDER (STANLEY)	1	1			F	
CASE, HEADLIGHT	0.3	5	33120-246-620	HEADLIGHT UNIT (STANLEY)	1	1			F	
		6	33130-399-621	SOCKET COMP., HEADLIGHT (STANLEY)	1	1			F	
		7	34901-382-621	BULB, HEADLIGHT (6V36/36W) (LOCAL PROCUREMENT PART)	1	1			F	
		8	34903-382-621	BULB, POSITION (6V4W) (LOCAL PROCURMENT PART)	1	1			F	
		9	61301-399-000ZA	CASE, HEADLIGHT *NH-1*	1	1			F	
		10	61303-105-000	NUT, HEADLIGHT CASE	2	2			F	
		11	61304-292-000	COLLAR, HEADLIGHT SETTING	2	2			F	
		12	93500-05016-0B	SCREW, PAN, 5X16	2	2			F	
		13	93901-14110	SCREW, TAPPING, 4X8	1	1			F	

G 9

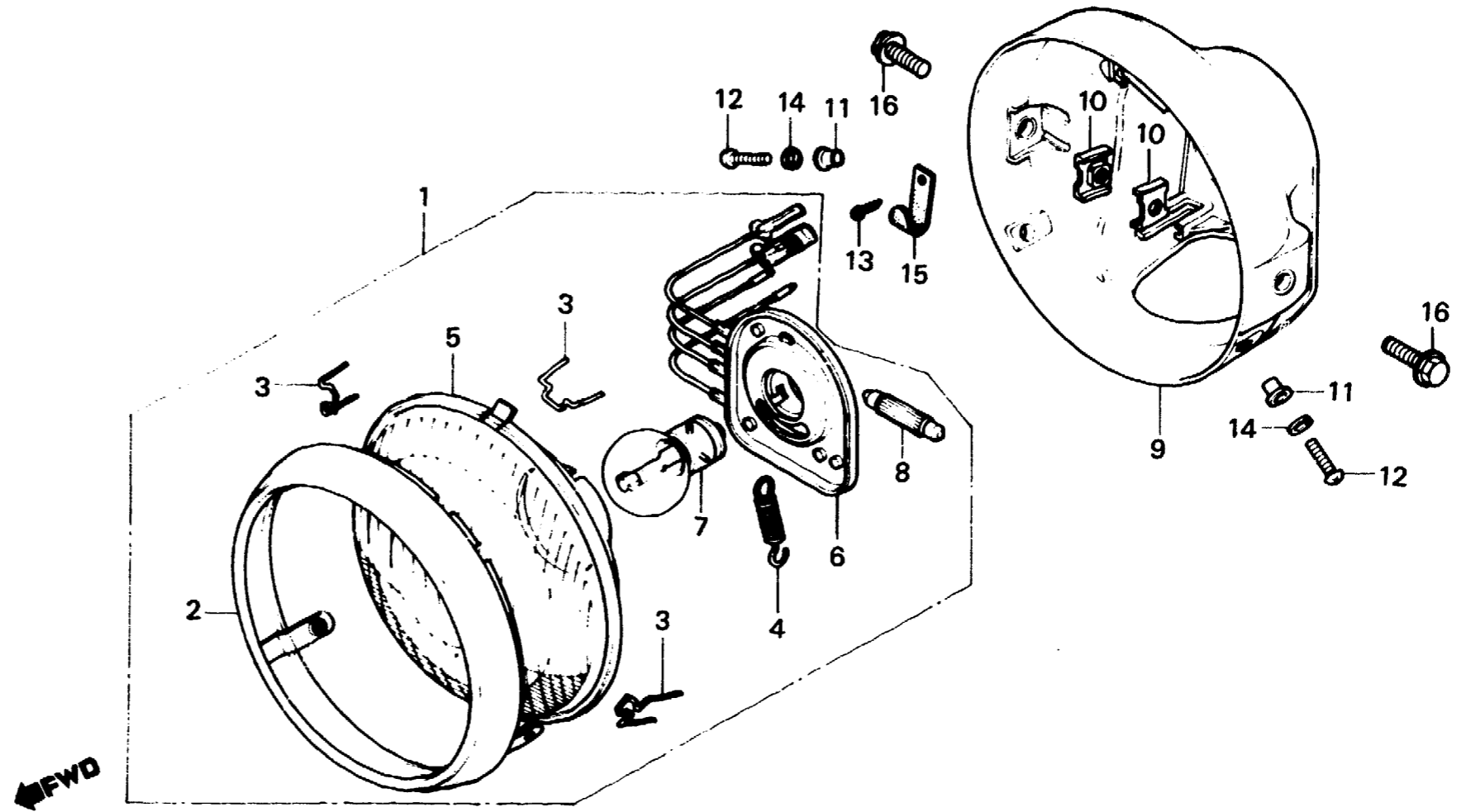
F-1-3

**Headlight
(XL500Sz, SA-F)**

**Phare
(XL500Sz, SA-F)**

**Scheinwerfer
(XL500Sz, SA-F)**

**Faro delantero
(XL500Sz, SA-F)**



B428-42

Service item	F.R.T.	Ref. No.	Part No.	Description	Reqd. No.				Serial No.	Area code
					Sz	XL500	SA	Rc		
		14	94111-05000	WASHER, SPRING, 5MM	2	2			F	
		15	94591-45000	CLIP, WIRE, 4X50	1	1			F	
		16	95700-08016-00	BOLT, FLANGE, 8X16	2	2			F	

1981.12.20

E

69

G 10



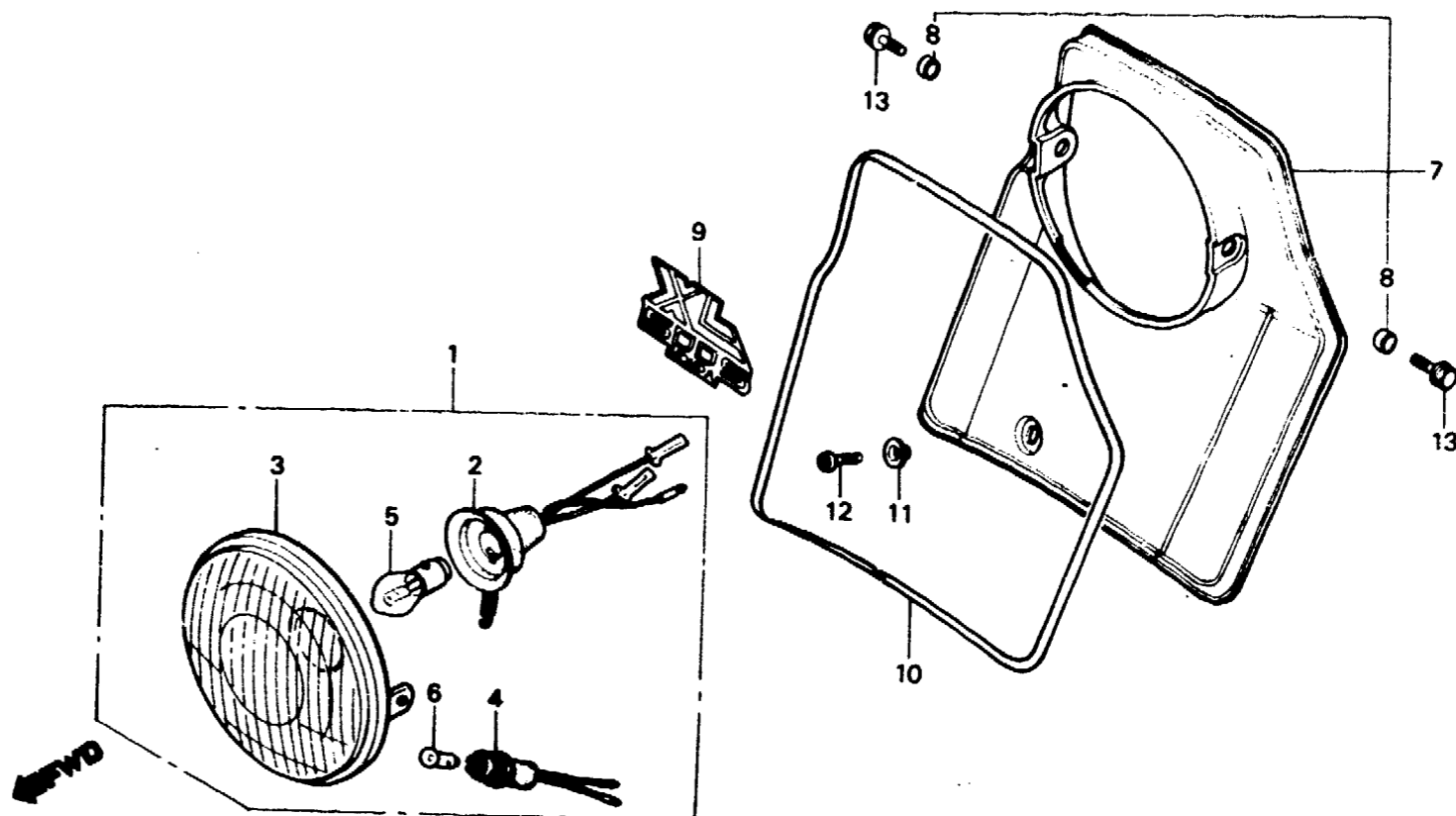
F-1-4

**Headlight (XL500S_B-B,DK,
DM,E,ED,F,SA,SD,U,1G,2G)**

**Phare (XL500S_B-B,DK,
DM,E,ED,F,SA,SD,U,1G,2G)**

**Scheinwerfer (XL500S_B-B,DK,
DM,E,ED,F,SA,SD,U,1G,2G)**

**Faro delantero (XL500S_B-B,DK,
DM,E,ED,F,SA,SD,U,1G,2G)**



B435-63

Service item	F.R.T.	Ref. No.	Part No.	Description	Reqd. No.				Serial No.	Area code
					Sz	SA	Se	Rc		
HEADLIGHT ASSY. HEADLIGHT UNIT INC. RELATIVE PART PLATE, FR. NUMBER	0.1	1	33100-KB1-710	HEADLIGHT ASSY. (6V36/36W-4W) (STANLEY)	1					F
			33100-427-910	HEADLIGHT ASSY. (6V35/35W-4W) (STANLEY)	1					B,E,ED,SD,1G,2G
			33100-427-931	HEADLIGHT ASSY. (6V35/36W-3W) (STANLEY)	1					DK,DM,SA,U
		2	33110-166-013	SOCKET ASSY., HEADLIGHT	1					DK,DM,SA,U
			33110-183-612	SOCKET ASSY., HEADLIGHT	1					B,E,ED,SD,1G,2G
			33130-183-622	SOCKET ASSY., HEADLIGHT	1					F
		3	33120-166-003	HEADLIGHT UNIT (STANLEY)	1					DK,DM,SA,U
			33120-183-611	HEADLIGHT UNIT	1					B,E,ED,SD,1G,2G
			33120-183-621	HEADLIGHT UNIT	1					F
		4	33150-166-003	SOCKET ASSY., POSITION LIGHT (STANLEY)	1					B,DK,DM,E,ED,SA,SD,U,1G 2G
			33150-183-621	SOCKET ASSY., POSITION LIGHT	1					F
		5	34901-329-003	BULB, HEADLIGHT (6V35/36W-3W)	1					DK,DM,SA,U
			34901-382-621	BULB, HEADLIGHT (6V36/36W) (LOCAL PROCUREMENT PART)	1					F
	34901-383-611	BULB, HEADLIGHT (6V35/35W) (LOCAL PROCUREMENT PART)	1					B,E,ED,SD,1G,2G		

G 11



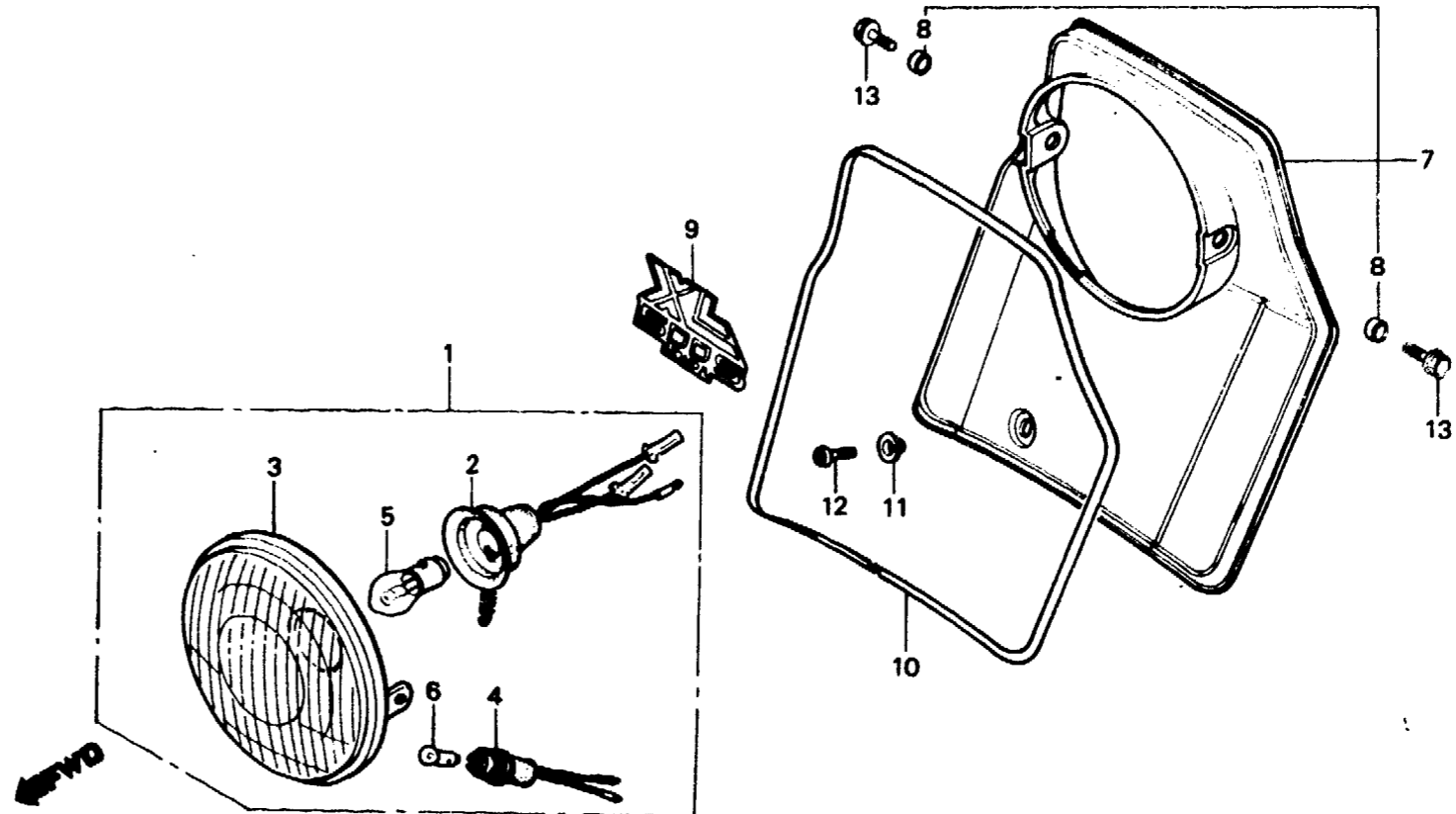
F-1-4

**Headlight (XL500S_B-B,DK,
DM,E,ED,F,SA,SD,U,1G,2G)**

**Phare (XL500S_B-B,DK,
DM,E,ED,F,SA,SD,U,1G,2G)**

**Scheinwerfer (XL500S_B-B,DK,
DM,E,ED,F,SA,SD,U,1G,2G)**

**Faro delantero (XL500S_B-B,DK,
DM,E,ED,F,SA,SD,U,1G,2G)**



B435-63

Service item	F.R.T.	Ref. No.	Part No.	Description	Reqd. No.				Serial No.	Area code
					Sz	SA	S _B	Rc		
		6	34902-303-003	BULB, POSITION LIGHT (6V3W)				1		DK,DM,SA,U
			34903-383-611	BULB, POSITION (6V4W) (LOCAL PROCUREMENT PART)				1		B,E,ED,F,SD,1G,2G
		7	61301-437-9402A	PLATE, FR. NUMBER *NH-105*				1		B,DK,DM,E,ED,F,SA,SD,U 1G,2G
		8	61302-229-300	COLLAR, HEADLIGHT CASE				2		B,DK,DM,E,ED,F,SA,SD,U 1G,2G
		9	87125-435-760	EMBLEM, FR. NUMBER PLATE				1		B,DK,DM,E,ED,F,SA,SD,U 1G,2G
		10	87126-428-830	STRIPE, FR. NUMBER PLATE				1		B,DK,DM,E,ED,F,SA,SD,U 1G,2G
		11	90522-028-000	WASHER, CHAIN CASE SETTING				1		B,DK,DM,E,ED,F,SA,SD,U 1G,2G
		12	93500-06012-00	SCREW, PAN, 6X12				1		B,DK,DM,E,ED,F,SA,SD,U 1G,2G
		13	95700-08016-00	BOLT, FLANGE, 8X16				2		B,DK,DM,E,ED,F,SA,SD,U 1G,2G

1981.12.20

E

G11

G 12

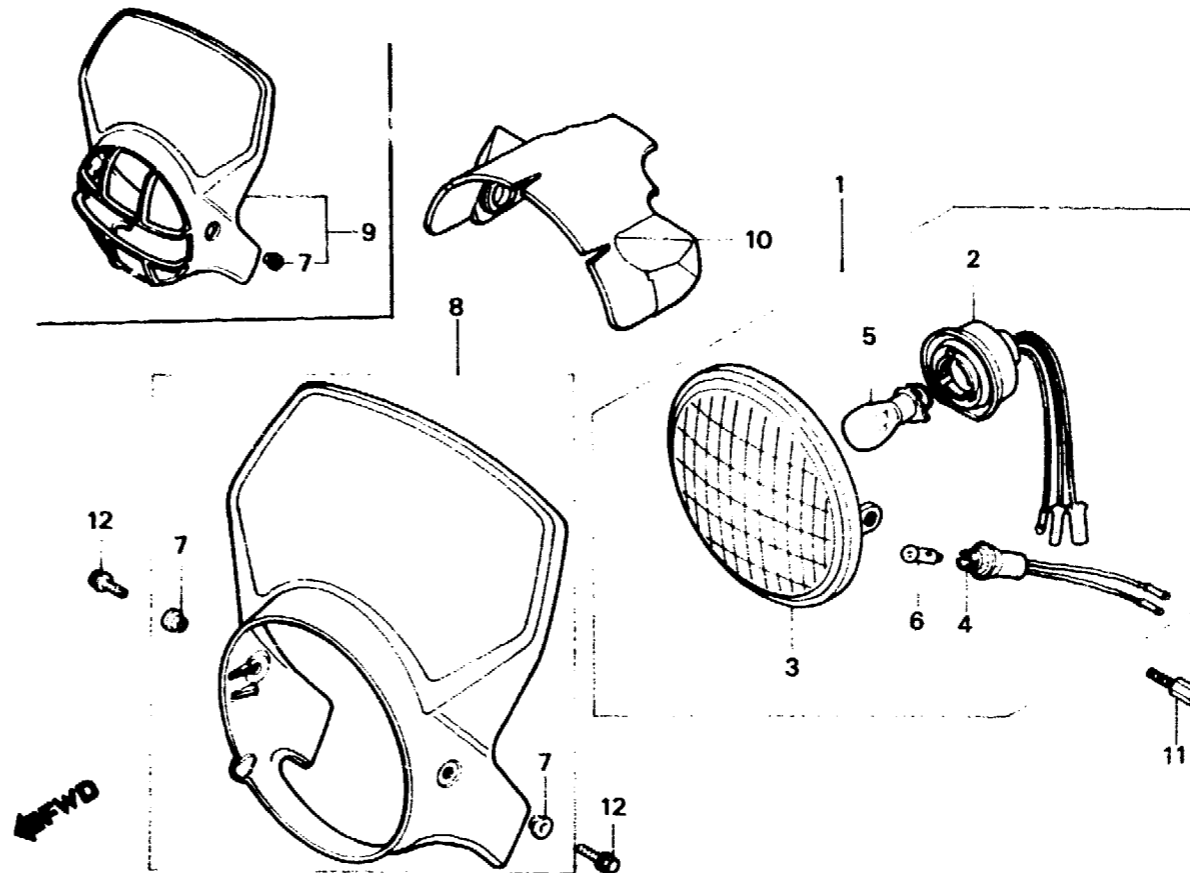
F-1-5

**Headlight
(XL500Rc-DK,DM,SA,U)**

**Phare
(XL500Rc-DK,DM,SA,U)**

**Scheinwerfer
(XL500Rc-DK,DM,SA,U)**

**Faro delantero
(XL500Rc-DK,DM,SA,U)**



BMC4-22

Service item	F.R.T.	Ref. No.	Part No.	Description	Reqd. No.				Serial No.	Area code
					Sz	SA	Se	Rc		
HEADLIGHT ASSY.	0.1	1	33100-KB7-680	HEADLIGHT ASSY.				1	DK,DM,SA,U	
HEADLIGHT UNIT		2	33110-KB7-003	SOCKET ASSY., HEADLIGHT				1	DK,DM,SA,U	
INC. RELATIVE PART		3	33120-KB7-680	HEADLIGHT UNIT				1	DK,DM,SA,U	
VISOR SET, FR.		4	33150-166-003	SOCKET ASSY., POSITION LIGHT				1	DK,DM,SA,U	
RUBBER, FR. VISOR		5	34901-KB7-003	BULB, HEADLIGHT (12V 35/35W)				1	DK,DM,SA,U	
		6	34903-071-003	BULB, MARKER LIGHT (12V 3.4W)				1	DK,DM,SA,U	
		7	61101-441-000	COLLAR, FR. FENDER SETTING				2	DK,DM,SA,U	
		8	613A0-KB7-600ZA	VISOR SET, FR. *R-110*				1	DK,DM,SA,U	
			613A0-KB7-600ZB	VISOR SET, FR. *NH-24*				1	DK,DM,SA,U	
			613A0-KB7-600ZC	VISOR SET, FR. *NH-104M-U*				1	DK,DM,SA,U	
		9	613A0-KB7-680ZA	VISOR SET, FR. *R-110*				(1)	DK,DM,SA,U	
			613A0-KB7-680ZB	VISOR SET, FR. *NH-24*				(1)	DK,DM,SA,U	

1981.12.20

E

G12

G 13



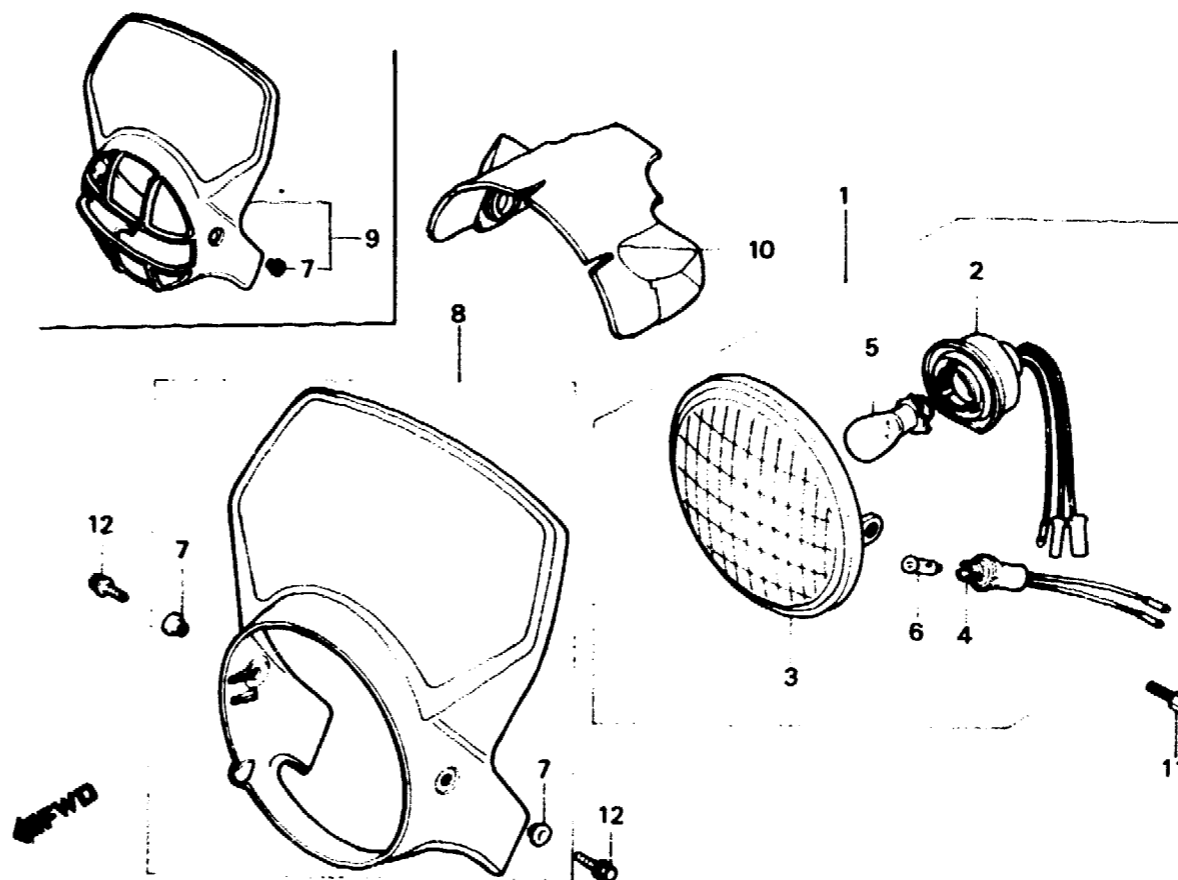
F-1-5

**Headlight
(XL500Rc-DK,DM,SA,U)**

**Phare
(XL500Rc-DK,DM,SA,U)**

**Scheinwerfer
(XL500Rc-DK,DM,SA,U)**

**Faro delantero
(XL500Rc-DK,DM,SA,U)**



BMC4-22

Service item	F.R.T.	Ref. No.	Part No.	Description	Reqd. No.				Serial No.	Area code
					Sz	SA	Se	Rc		
			613A0-KB7-680ZC	VISOR SET, FR. *NH-104M-U*				(1)		DK,DM,SA,U
		10	61306-KB7-000	RUBBER, FR. VISOR				1		DK,DM,SA,U
		11	90123-KB7-000	BOLT, HEADLIGHT STAY				2		DK,DM,SA,U
		12	95700-06012-00	BOLT, FLANGE, 6X12				2		DK,DM,SA,U

1981.12.20

E

G13

G 14



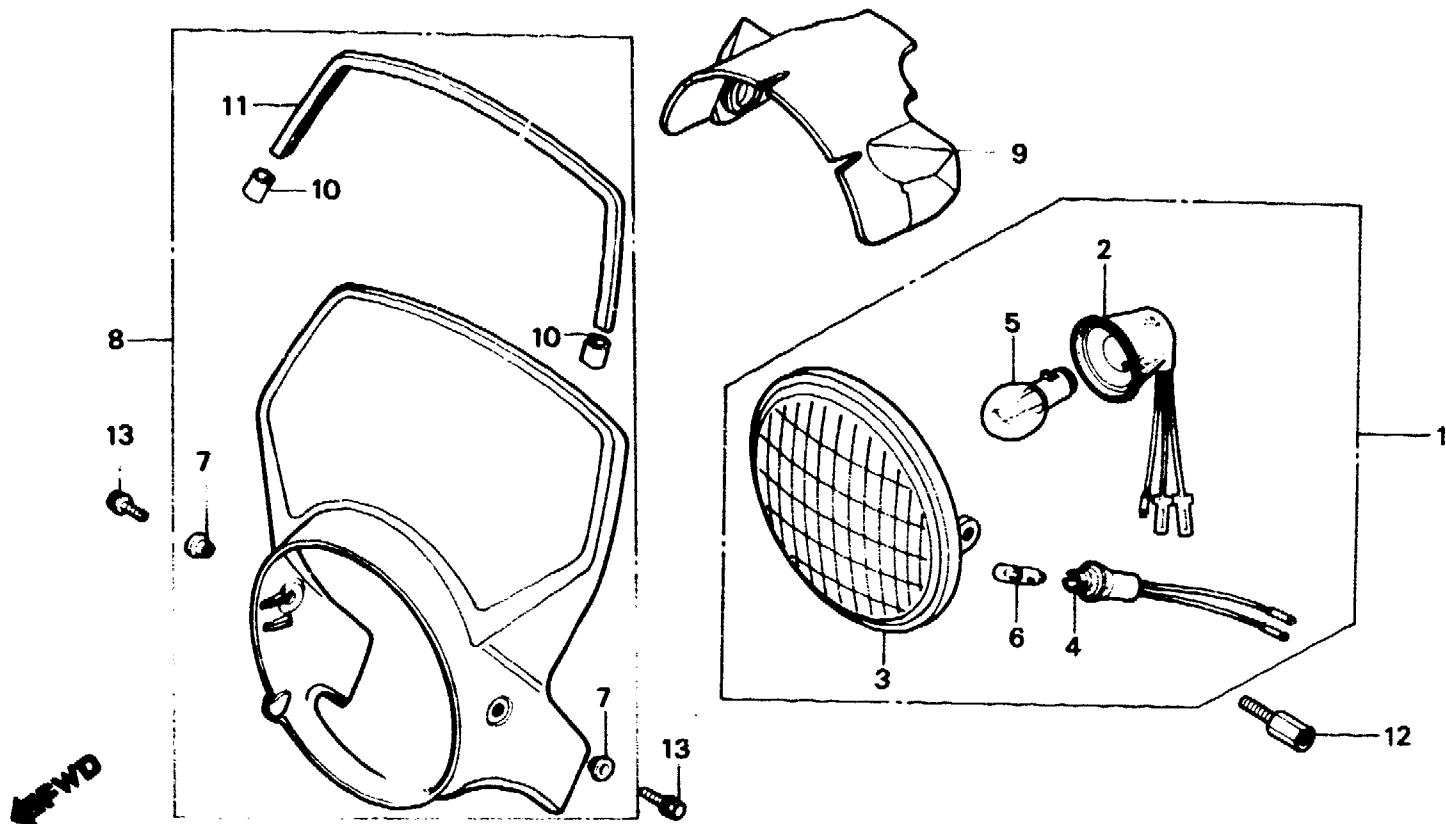
F-1-6

Headlight
(XL500Rc-B,E,ED,IT,SD,1G,2G)

Phare
(XL500Rc-B,E,ED,IT,SD,1G,2G)

Scheinwerfer
(XL500Rc-B,E,ED,IT,SD,1G,2G)

Faro delantero
(XL500Rc-B,E,ED,IT,SD,1G,2G)



BMC4-23

Service item	F.R.T.	Ref. No.	Part No.	Description	Reqd. No. XL500				Serial No.	Area code
					Sz	SA	Se	Rc		
HEADLIGHT ASSY.	0.1	1	33100-MC4-610	HEADLIGHT ASSY.				1	B,E,ED,IT,SD,1G,2G	
• HEADLIGHT UNIT		2	33110-MC4-610	SOCKET ASSY., HEADLIGHT				1	B,E,ED,IT,SD,1G,2G	
• INC. RELATIVE PART		3	33120-MC4-610	HEADLIGHT UNIT				1	B,E,ED,IT,SD,1G,2G	
• VISOR SET, FR.		4	33150-183-621	SOCKET ASSY., POSITION LIGHT				1	B,E,ED,IT,SD,1G,2G	
• RUBBER, FR. VISOR		5	34901-388-611	BULB, HEADLIGHT (LOCAL PROCUREMENT)				1	B,E,ED,IT,SD,1G,2G	
		6	34903-388-611	BULB, POSITION (12V 4W) (LOCAL PROCUREMENT PART)				1	B,E,ED,IT,SD,1G,2G	
		7	61101-441-000	COLLAR, FR. FENDER SETTING				2	B,E,ED,IT,SD,1G,2G	
		8	613A0-KB7-600ZA	VISOR SET, FR. *R-110*				1	B,E,ED,SD	
			613A0-KB7-600ZB	VISOR SET, FR. *NH-24*				1	B,E,ED,SD	
			613A0-KB7-600ZC	VISOR SET, FR. *NH-10*M-U*				1	B,E,ED,SD	
			613A0-KB7-610ZA	VISOR SET, FR. *R-110*				1	1G,2G	

1981.12.20

E

G14

G 15



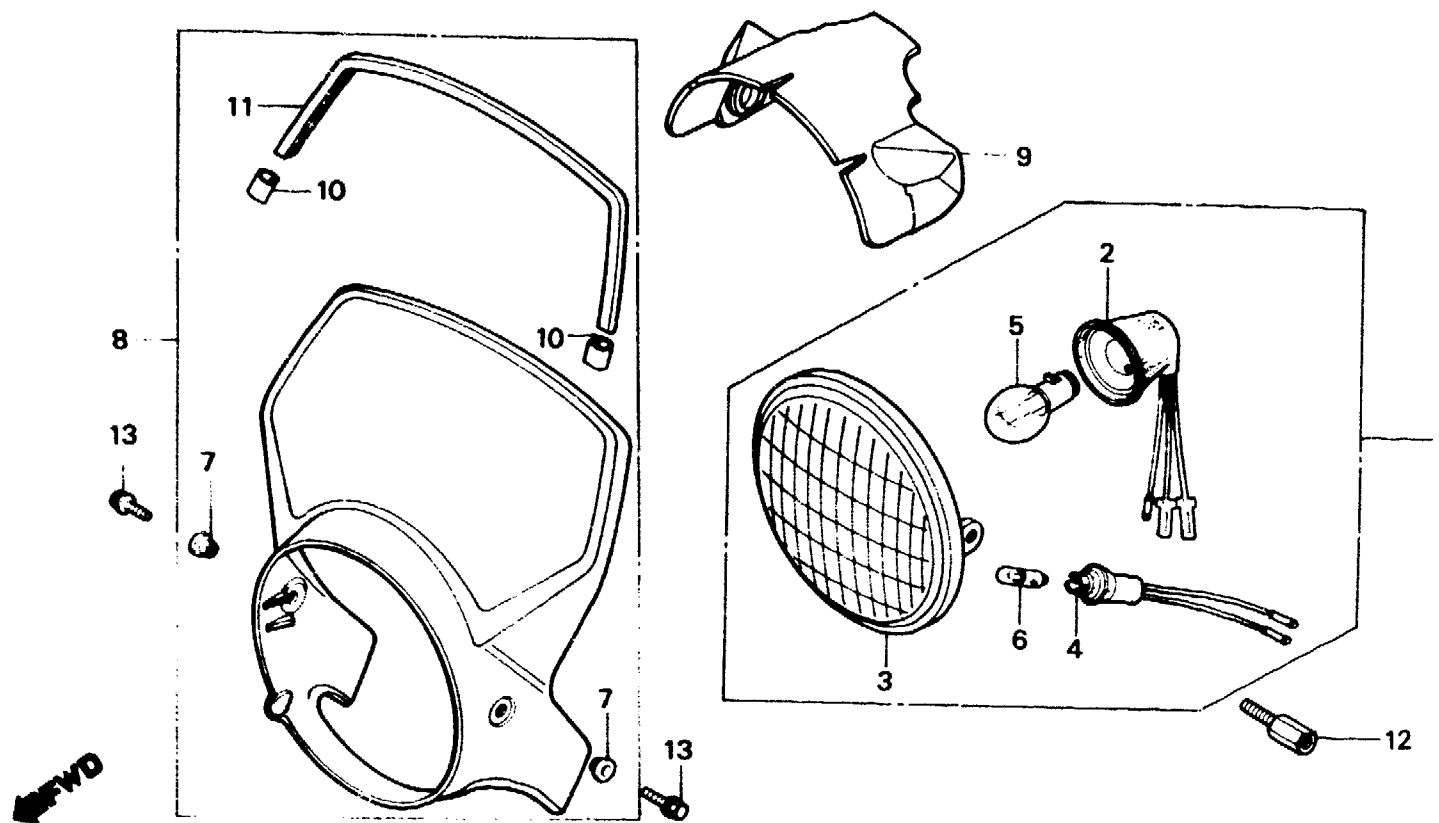
F-1-6

Headlight
(XL500Rc-B,E,ED,IT,SD,1G,2G)

Phare
(XL500Rc-B,E,ED,IT,SD,1G,2G)

Scheinwerfer
(XL500Rc-B,E,ED,IT,SD,1G,2G)

Faro delantero
(XL500Rc-B,E,ED,IT,SD,1G,2G)



BMC4-23

Service item	F.R.T.	Ref. No.	Part No.	Description	Reqd. No.				Serial No.	Area code
					Sz	SA	Ss	Rc		
			613A0-KB7-610ZB	VISOR SET, FR. *NH-24*				1		1G,2G
			613A0-KB7-610ZC	VISOR SET, FR. *NH-104M-U*				1		1G,2G
			613A0-KB7-770ZA	VISOR SET, FR. *R-110*				1		IT
			613A0-KB7-770ZB	VISOR SET, FR. *NH-24*				1		IT
			613A0-KB7-770ZC	VISOR SET, FR. *NH-104M-U*				1		IT
		9	61306-KB7-000	RUBBER, FR. VISOR				1		B,E,ED,IT,SD,1G,2G
		10	64102-MA3-720	CLIP, SCREEN MOULDING				2		1G,2G
		11	64105-KB7-610	MOULDING, FR. VISOR				1		1G,2G
		12	90123-KB7-000	BOLT, HEADLIGHT STAY				2		B,E,ED,IT,SD,1G,2G
		13	95700-06012-00	BOLT, FLANGE, 6X12				2		B,E,ED,IT,SD,1G,2G

1981.12.20

E

G15

G 16



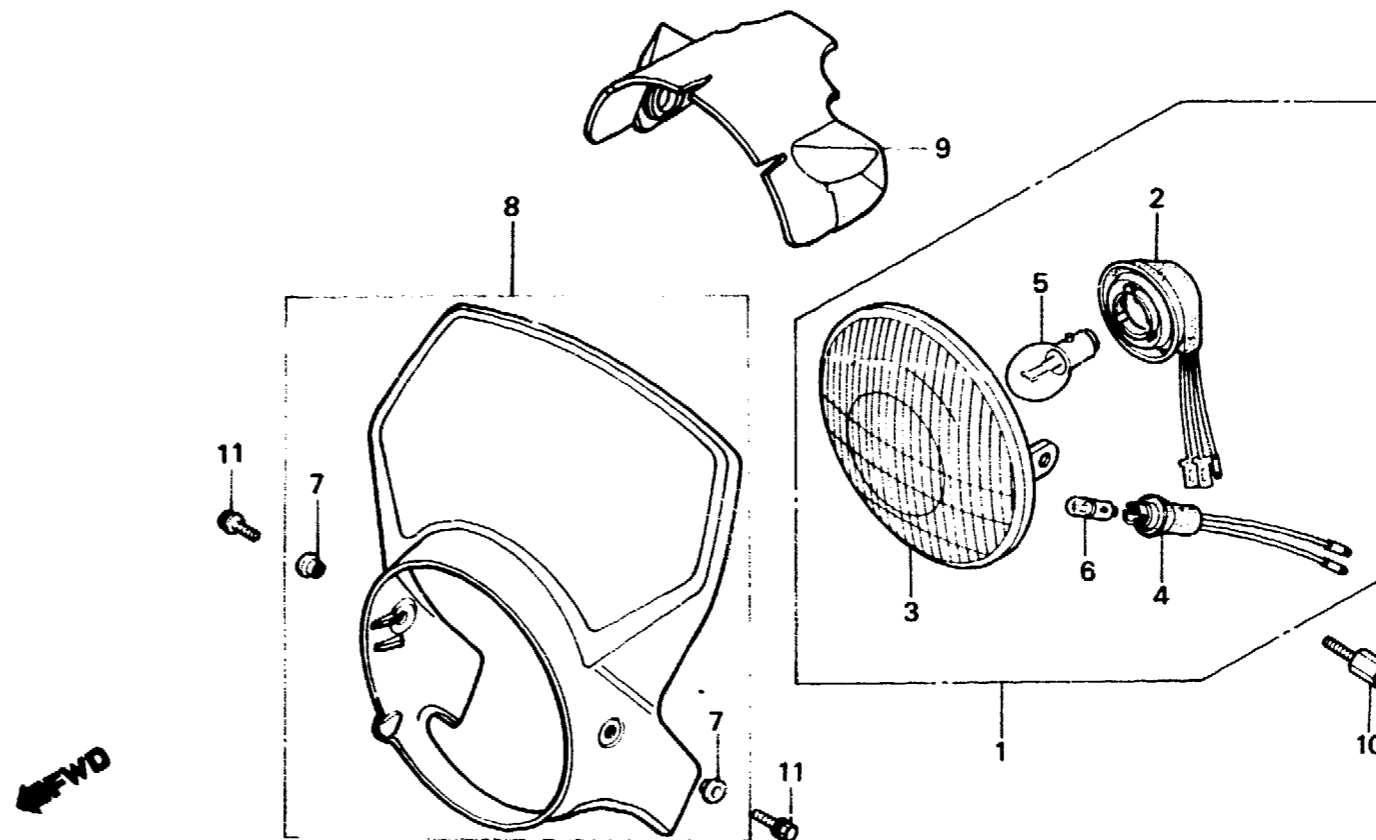
F-1-7

**Headlight
(XL500Rc-F)**

**Phare
(XL500Rc-F)**

**Scheinwerfer
(XL500Rc-F)**

**Faro delantero
(XL500Rc-F)**



BMC4-24

Service item	F.R.T.	Ref. No.	Part No.	Description	Pord. No. XL500				Serial No.	Area code
					Sz	SA	Sa	Rc		
HEADLIGHT ASSY. INC. RELATIVE PART HEADLIGHT UNIT SOCKET ASSY., POSITION LIGHT VISOR SET, FR. RUBBER, FR. VISOR	0.1	1	33100-MC4-620	HEADLIGHT ASSY.				1		F
		2	33110-MC4-620	SOCKET ASSY., HEADLIGHT				1		F
		3	33120-MC4-620	HEADLIGHT UNIT				1		F
		4	33150-183-621	SOCKET ASSY., POSITION LIGHT				1		F
		5	34901-369-621	BULB, HEADLIGHT (LOCAL PROCUREMENT)				1		F
		6	34903-388-611	BULB, POSITION (12V 4W) (LOCAL PROCUREMENT PART)				1		F
		7	61101-441-000	COLLAR, FR. FENDER SETTING				2		F
		8	613A0-KB7-600ZA	VISOR SET, FR. *R-110*				1		F
			613A0-KB7-600ZB	VISOR SET, FR. *NH-24*				1		F
			613A0-KB7-600ZC	VISOR SET, FR. *NH-104M-U*				1		F
			9	61306-KB7-000	RUBBER, FR. VISOR				1	
	10	90123-KB7-000	BOLT, HEADLIGHT STAY				2		F	
		11	95700-06012-00	BOLT, FLANGE, 6X12				2		F

1981.12.20

E

G16