

E 1

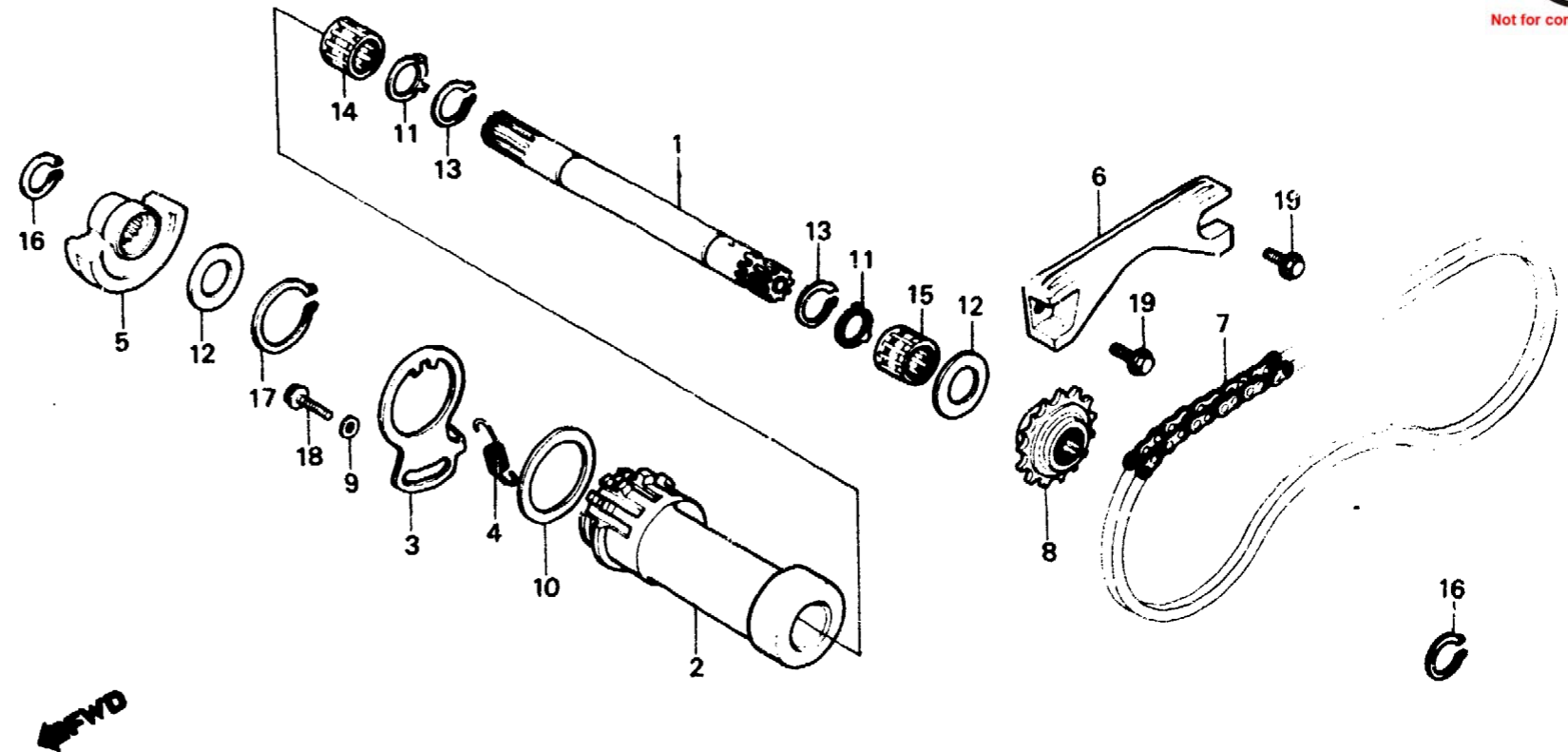
E-12

Front balancer

Balancier avant

Vorderer Ausgleicher

Balancador delantero



B435-29

Service item	F.R.T.	Ref. No.	Part No.	Description	Reqd. No. XL500				Serial No.	Area code
					Sz	SA	S*	Rc		
SHAFT COMP., BALANCER	1.5	1	13411-429-000	SHAFT COMP., BALANCER	1	1	1	1		
SPROCKET, FR. BALANCER		2	13412-429-000	HOLDER, BALANCER SHAFT	1	1	1	1		
BEARING, NEEDLE (ONE OR ALL)		3	13413-429-000	FLANGE, BALANCER HOLDER	1	1	1	1		
HOLDER, BALANCER SHAFT	*4.1	4	13414-428-000	SPRING, CHAIN ADJUSTING	1	1	1	1		
FLANGE, BALANCER HOLDER	0.7	5	13421-429-000	WEIGHT, FR. BALANCER	1	1	1	1		
WEIGHT, FR. BALANCER		6	13430-429-000	SLIPPER, BALANCER CHAIN	1	1	1			
SLIPPER, BALANCER CHAIN	0.5		13430-MC4-000	SLIPPER, BALANCER CHAIN						1
CHAIN, BALANCER	*3.5	7	13440-429-003	CHAIN, BALANCER	1	1	1	1		
		8	13610-429-010	SPROCKET, FR. BALANCER	1	1	1			
			13610-MC4-000	SPROCKET, FR. BALANCER						1
		9	90436-611-000	WASHER, SPECIAL, 22X8.5X2	1	1	1	1		
		10	90437-MA0-000	WASHER, BALL HOLDER						1
		11	90456-428-000	WASHER, SPECIAL, 20MM	2	2	2	2		
		12	90458-292-000	WASHER, THRUST, 20MM	2	2	2	2		
		13	90605-200-000	SET RING, 20MM	2	2	2	2		

E 2



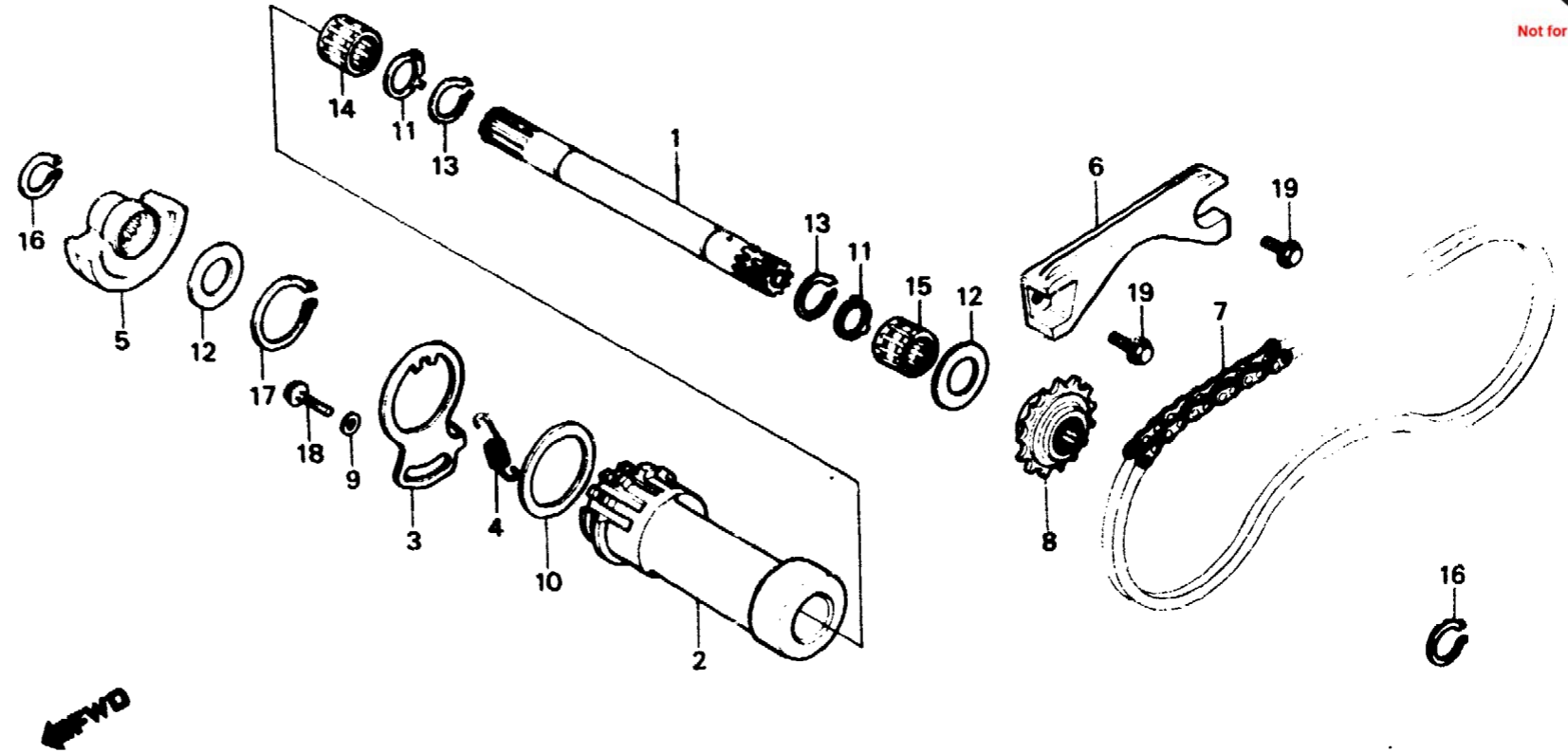
E-12

Front balancer

Balancier avant

Vorderer Ausgleicher

Balancador delantero



8435-29

Service item	F.R.T.	Ref. No.	Part No.	Description	Reqd. No.				Serial No.	Area code
					Sz	XL500 Sa	Sa	Rc		
		14	91011-428-008	BEARING, NEEDLE, 20X26X20	1	1	1	1		
		15	91012-428-008	BEARING, NEEDLE, 20X26X17	1	1	1	1		
		16	94510-20000	CIRCLIP, EXTERNAL, 20	2	2	2	2		
		17	94510-38000	CIRCLIP, EXTERNAL, 38	1	1	1	1		
		18	95700-08020-00	BOLT, FLANGE, 8X20	1	1	1	1		
		19	96000-06014-00	BOLT, FLANGE, 6X14	2	2	2	2		

1981.12.20

E

E2



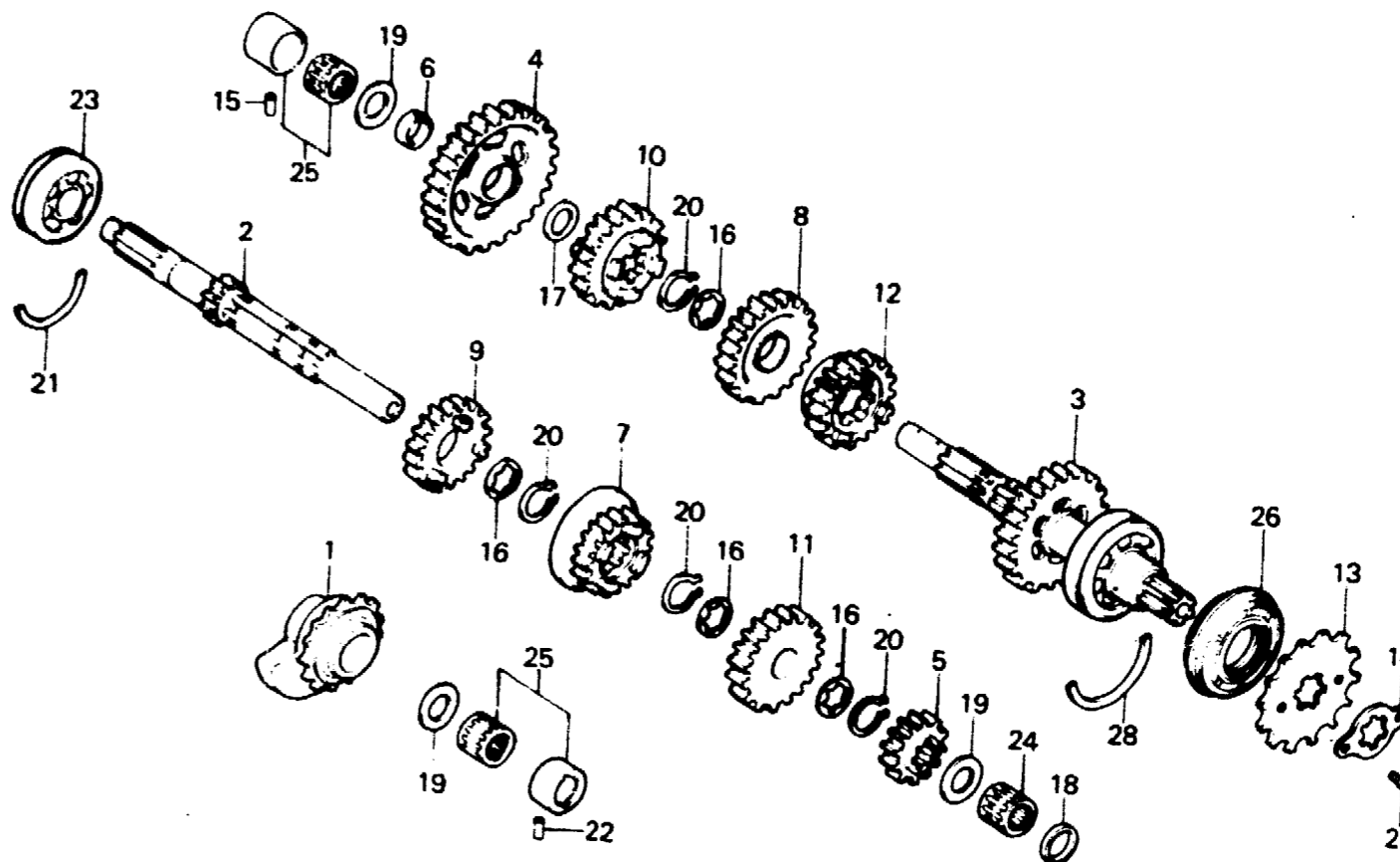
E-13

Rear balancer • Transmission

Balancier arrière • Transmission

Hinterer Ausgleicher • Getriebe

Balancador trasero • Transmisión



B435-30

Service item	F.R.T.	Ref. No.	Part No.	Description	Reqd. No. XL500				Serial No.	Area code
					Sz	SA	Se	Rc		
WEIGHT, RR. BALANCER MAINSHAFT, TRANSMISSION INC. RELATIVE PART COUNTERSHAFT COMP., TRANSMISSION INC. RELATIVE PART (WHEN SERVICING COMP., UNIT, F.R.T. IS 3.7.) SPROCKET, DRIVE	*3.5	1	13420-429-010	WEIGHT, RR. BALANCER	1	1				CM
			13420-MA0-000	WEIGHT, RR. BALANCER			1	1		B,DK,DM,E,ED,F,IT,SA,SD U,1G,2G
	0.2	2	23211-429-000	MAINSHAFT, TRANSMISSION (13T)	1	1	1	1		CM
			23210-435-730	MAINSHAFT COMP., TRANSMISSION			1	1		
		3	23220-429-000	COUNTERSHAFT COMP., TRANSMISSION (28T)	1	1		1		B,DK,DM,E,ED,F,IT,SA,SD U,1G,2G
		23220-MA0-000	COUNTERSHAFT COMP., TRANSMISSION (28T)			1	1		CM	
		4	23411-429-000	GEAR, COUNTERSHAFT LOW (32T)	1	1	1	1		
		5	23421-429-000	GEAR, MAINSHAFT SECOND (17T)	1	1				CM
							1			CM

E 4



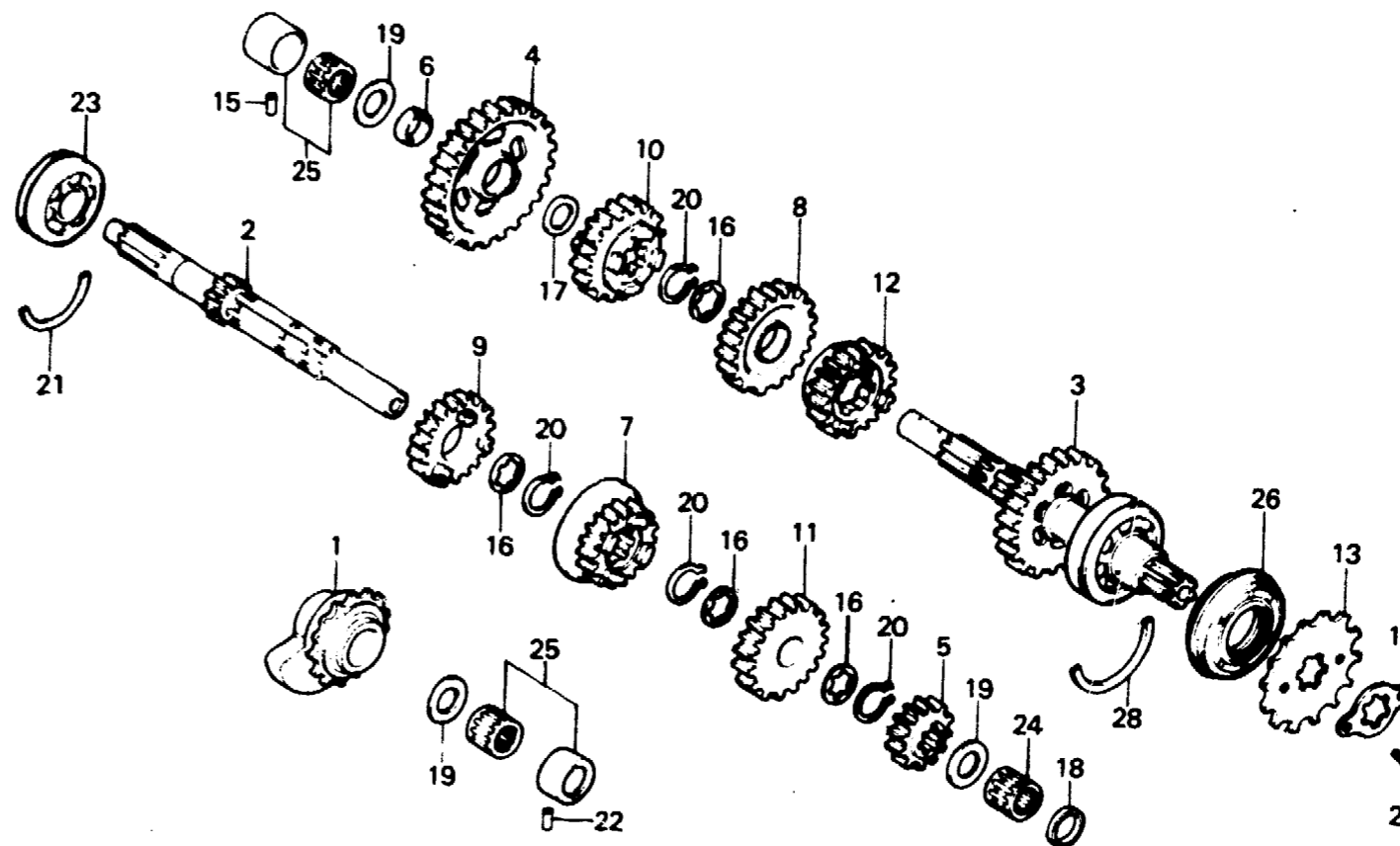
E-13

Rear balancer • Transmission

Balancier arrière • Transmission

Hinterer Ausgleicher • Getriebe

Balancador trasero • Transmisión



B435-30

Service item	F.R.T.	Ref. No.	Part No.	Description	Reqd. No. XL500				Serial No.	Area code
					Sz	SA	SA	Rc		
			23421-MA0-000	GEAR, MAINSHAFT SECOND (17T)			1	1		B,DK,DM,E,ED,F,IT,SA,SD U,1G,2G CM
		6	23422-428-000	BUSH, 20MM	1	1	1	1		
		7	23441-429-000	GEAR, MAINSHAFT THIRD (20T)	1	1				CM
			23441-MA0-000	GEAR, MAINSHAFT THIRD (20T)			1	1		B,DK,DM,E,ED,F,IT,SA,SD U,1G,2G CM
		8	23451-429-000	GEAR, COUNTERSHAFT THIRD (25T)	1	1				CM
			23451-MA0-000	GEAR, COUNTERSHAFT THIRD (25T)			1	1		B,DK,DM,E,ED,F,IT,SA,SD U,1G,2G CM
		9	23461-429-000	GEAR, MAINSHAFT FOURTH (23T)	1	1	1	1		
		10	23471-429-000	GEAR, COUNTERSHAFT FOURTH (23T)	1	1	1	1		



Not for commercial use

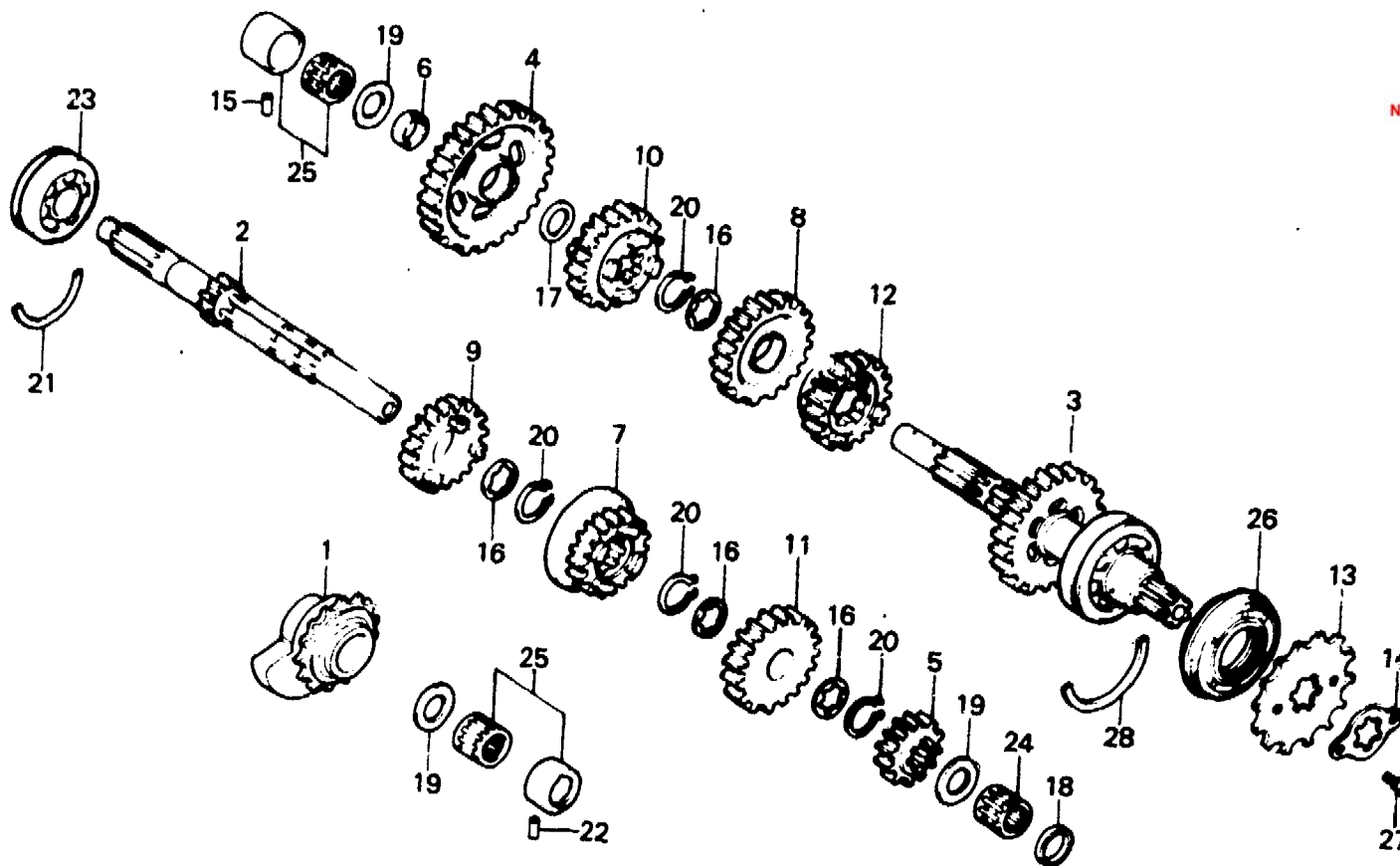
E-13

Rear balancer • Transmission

Balancier arrière • transmission

Hinterer Ausgleich • Getriebe

Balancador trasero • Transmisión



B435-30

Service item	F.R.T.	Ref. No.	Part No.	Description	Reqd. No.				Serial No.	Area code	
					Sz	SA	SA	Rc			
		11	23481-429-000	GEAR, MAINSHAFT TOP (25T)	1	1				CM	
			23481-MA0-000	GEAR, MAINSHAFT TOP (25T)			1	1		B,DK,DM,E,ED,F,SA,SD,U 1G,2G,IT	
		12	23491-429-000	GEAR, COUNTERSHAFT TOP (21T)	1	1				CM	
			23491-MA0-000	GEAR, COUNTERSHAFT TOP (21T)			1	1		CM B,DK,DM,E,ED,F,IT,SA,SD U,1G,2G	
		13	23801-429-000	SPROCKET, DRIVE (14T)	1	1	1			1	CM
			23801-MC4-000	SPROCKET, DRIVE (15T)						1	
		14	23811-292-000	PLATE, DRIVE SPROCKET FIXING	1	1	1	1			
		15	24261-283-000	PIN, GEARSHIFT FORK GUIDE	1	1	1	1			
		16	90451-413-000	WASHER, THRUST, 25MM	4	4	4	4			
		17	90454-428-000	WASHER, THRUST, 20MM	1	1	1	1			
		18	90454-429-000	SPACER, 20MM	1	1	1	1			
		19	90458-292-000	WASHER, THRUST, 20MM	3	3	3	3			
		20	90601-107-000	CIRCLIP, 25MM	4	4	4	4			



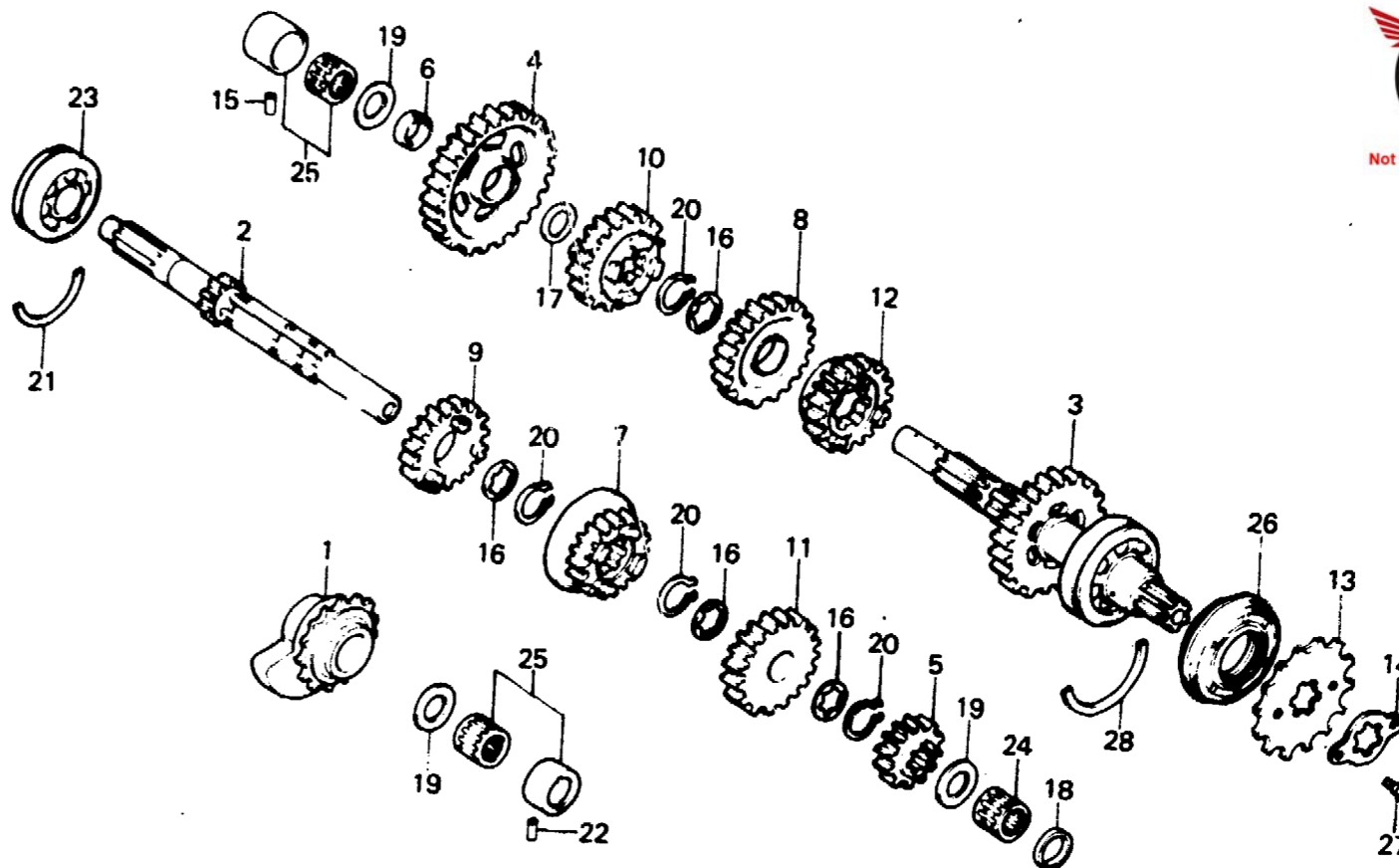
E-13

Rear balancer • Transmission

Balancier arrière • Transmission

Hinterer Ausgleicher • Getriebe

Balancador trasero • Transmisión



B435-30

Service item	F.R.T.	Ref. No.	Part No.	Description	Reqd. No.				Serial No.	Area code
					Sz	XL500 SA	Se	Rc		
		21	90601-393-000	SET RING, 56MM	1	1	1	1		
		22	90705-428-010	PIN, BEARING SETTING	1	1	1	1		
		23	91007-393-003	BEARING, BALL, 63/22N (NACHI)	1	1	1	1		
		24	91011-428-008	BEARING, NEEDLE, 20X26X20	1	1	1	1		
		25	91022-415-008	BEARING, NEEDLE, 20MM	2	2	2	2		
		26	91206-428-005	OIL SEAL, 34X62X14	1	1	1			
			91206-KB7-005	OIL SEAL, 34X62X14						1
		27	92000-06010	BOLT, HEX., 6X10	2	2	2	2		
		28	95015-26200	SET RING, 620	1	1	1	1		



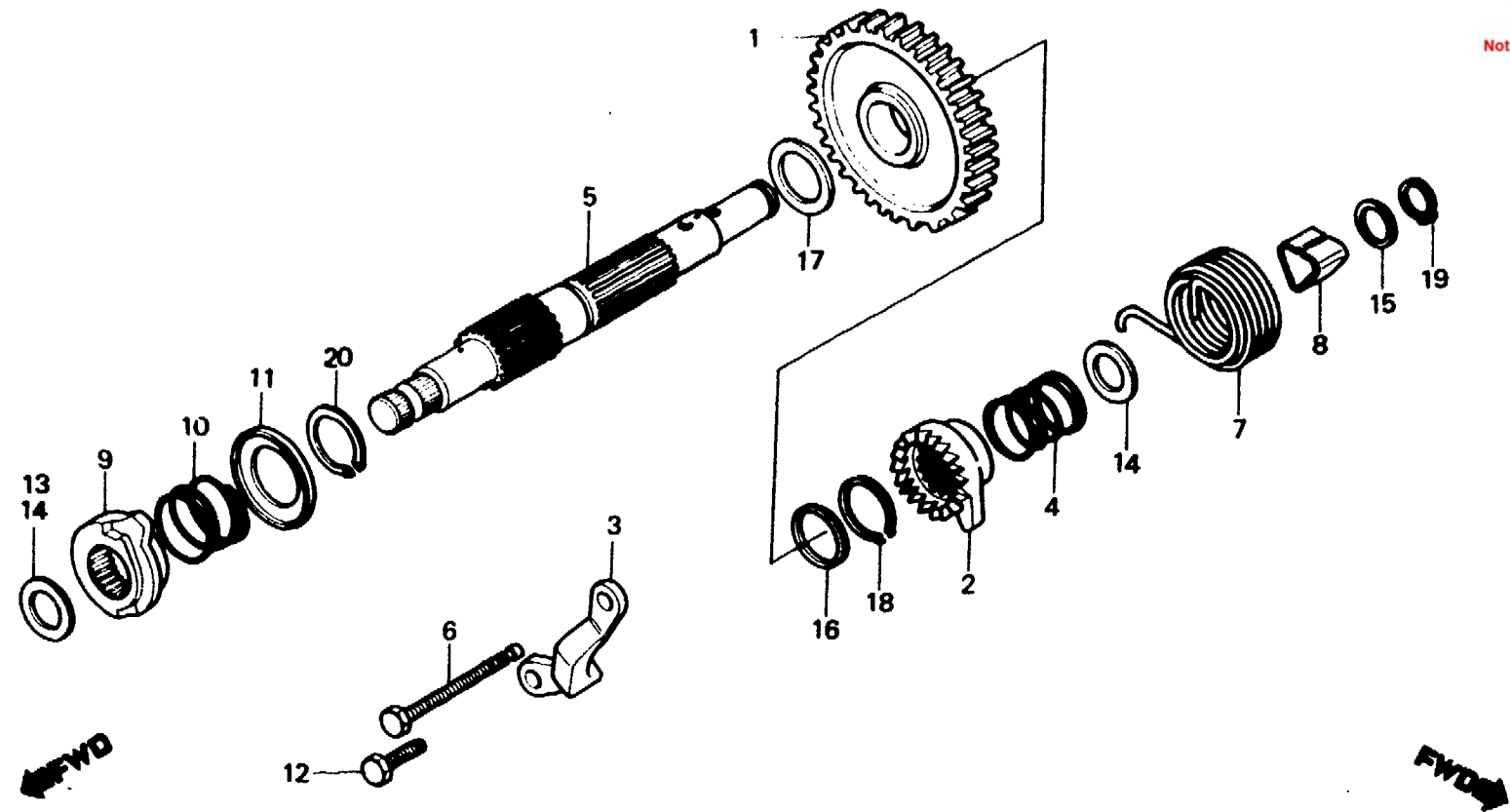
E-14

Kick starter spindle

Broche de kick de démarrage

Kickstarterspindel

Eje de arranque de pie



B429-14

Service item	F.R.T.	Ref. No.	Part No.	Description	Reqd. No. XL500				Serial No.	Area code	
					Sz	SA	SA	Rc			
PINION, KICK STARTER SPINDLE COMP., KICK STARTER INC. RELATIVE PART SPRING, KICK STARTER PLATE, KICK STOPPER CAM, KICK SHAFT	*3.5	1	28211-428-010	PINION, KICK STARTER (36T)	1				5004321	B,CM,DK,E,SA	
			28211-428-020	PINION, KICK STARTER (36T)	1			5004322	DM,ED,F,U,1G		
					1			5004342	B,CM,DK,E,SA		
					1				DM,ED,F,U,1G		
					1				2G		
	*3.6 0.6	28211-428-030	2	28213-428-000	RATCHET, KICK STARTER	1				5107815	E,SA
						1			5107816	B,DK,DM,E,ED,F,SA,U,1G	
						1			5107136	2G	
						1	1	1		CM	
						1	1	1		SD	
		3	28215-429-000	PLATE, KICK STOPPER	1	1	1	1		B,CM,DK,DM,E,ED,F,IT,SA	
		4	28223-316-000	SPRING, KICK STARTER RATCHET	1	1	1	1		U,1G,2G	
		5	28250-429-000	SPINDLE COMP., KICK STARTER	1				5002041	B,CM,DK,DM,E,ED,F,SA,U	
			28250-429-010							1G	

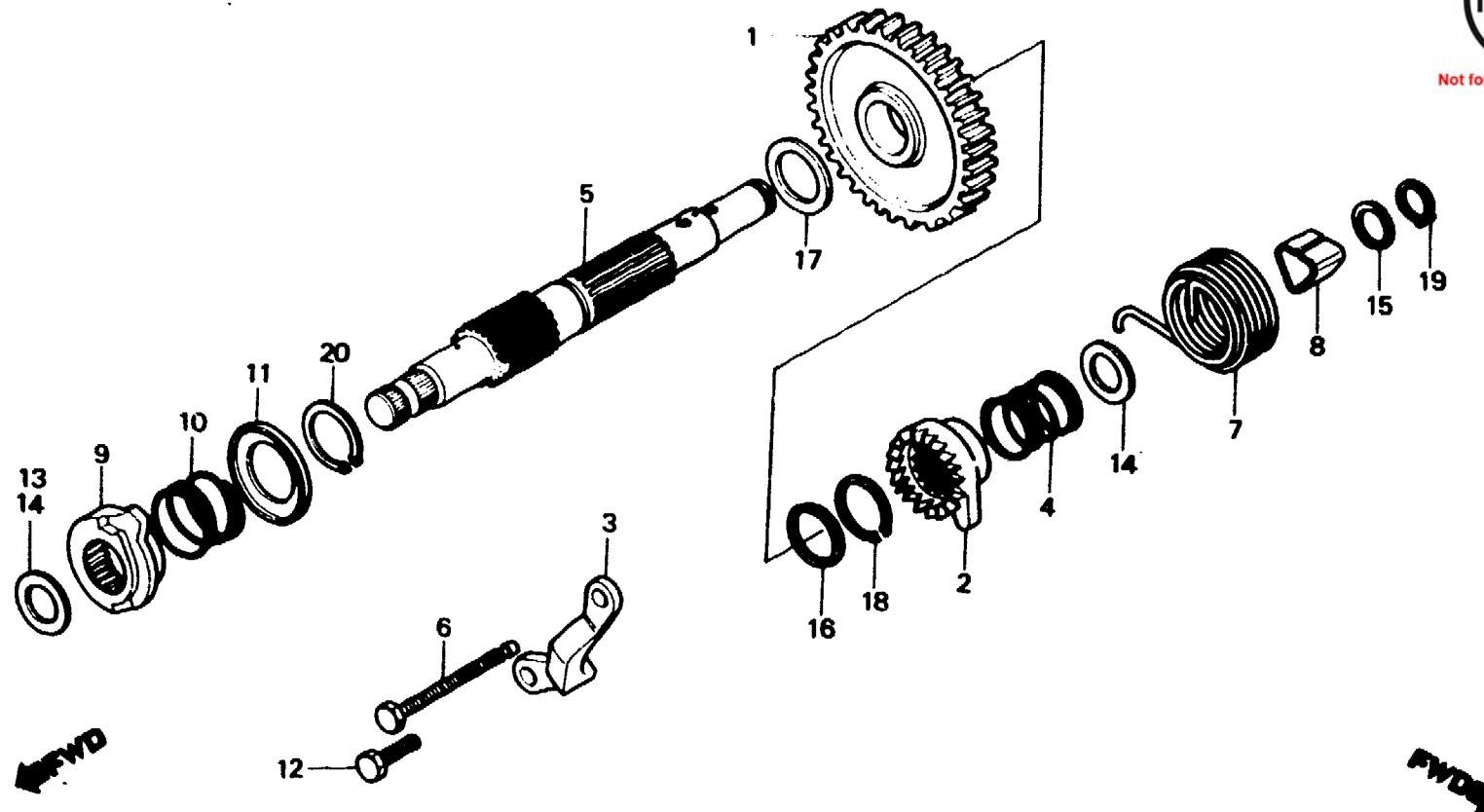
E-14

Kick starter spindle

Broche de kick de démarrage

Kickstarterspindel

Eje de arranque de pie



B429-14

Service item	F.R.T.	Ref. No.	Part No.	Description	Reqd. No.				Serial No.	Area code
					Sz	XL500 SA	Sa	Rc		
			28250-429-010	SPINDLE COMP., KICK STARTER	1				5002042	B,CM,DK,DM,E,ED,F,SA,U 1G 2G
			28250-429-020	SPINDLE COMP., KICK STARTER	1				5105411	E,SA
			28250-429-030	SPINDLE COMP., KICK STARTER	1				5107815	E,SA
					1				5107136	B,DK,DM,E,ED,F,SA,U,1G 2G CM SD
			28250-MC4-000	SPINDLE COMP., KICK STARTER	1					B,CM,DK,DM,E,ED,F,SA,U 1G,2G
		6	28254-428-000	PIN, KICK SPRING HOOK	1	1	1	1		
		7	28261-428-000	SPRING, KICK STARTER	1	1	1	1		
		8	28265-428-000	COLLAR, KICK STARTER	1	1	1	1		
		9	28272-429-000	CAM, KICK SHAFT	1	1	1	1		
		10	28283-428-000	SPRING, CAM RESET	1	1	1	1		



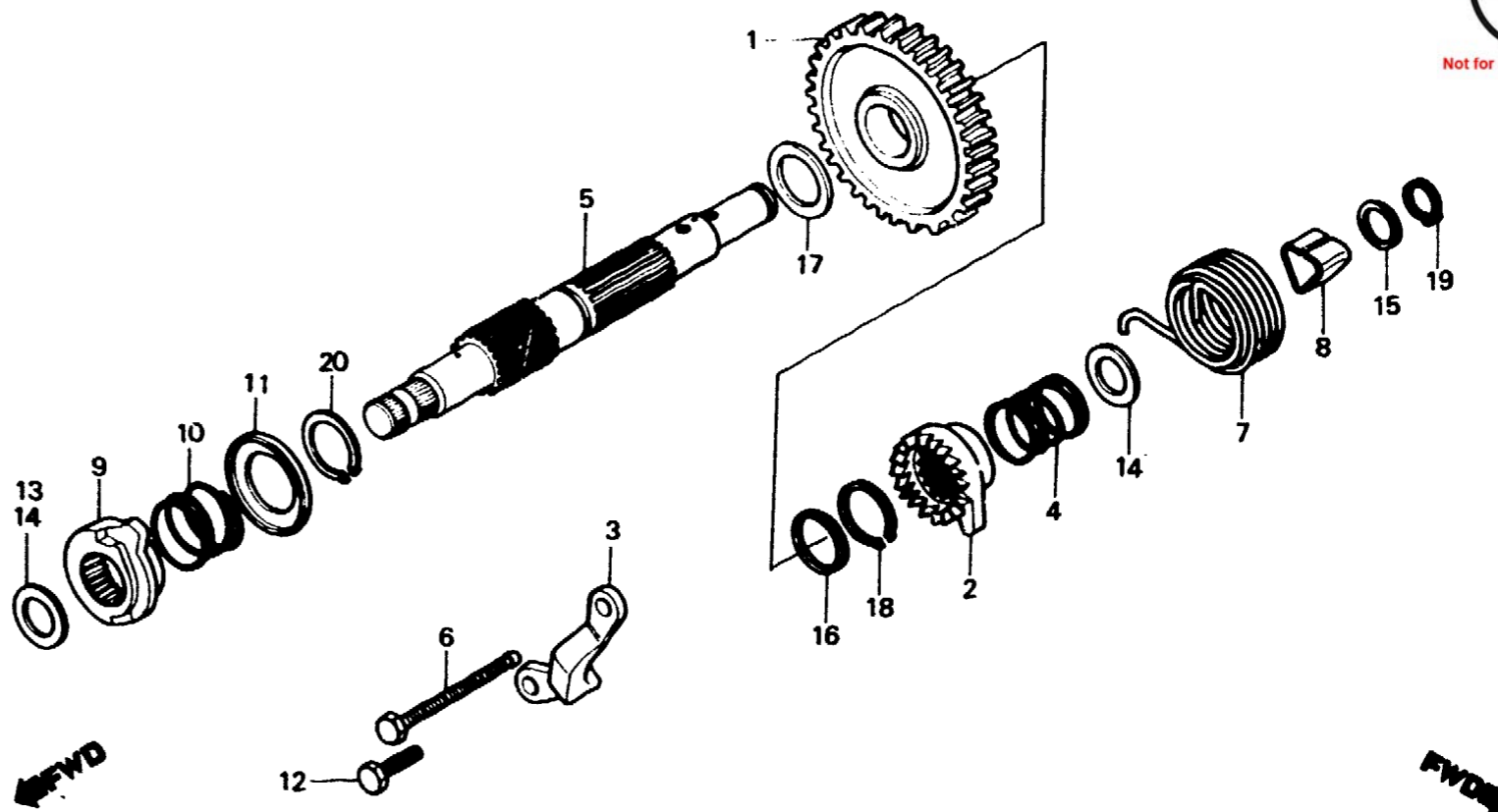
E-14

Kick starter spindle

Broche de kick de démarrage

Kickstarterspindel

Eje de arranque de pie



B429-14

Service item	F.R.T.	Ref. No.	Part No.	Description	Reqd. No.				Serial No.	Area code
					Sz	XL500	SA	SA		
		11	28284-428-000	SEAT, CAM RESET SPRING	1	1	1	1		
		12	90006-429-000	BOLT, HEX., 8X20	1	1	1	1		
		13	90452-MC4-000	WASHER, THRUST, 20.7MM				1		
		14	90452-701-000	WASHER, THRUST, 18MM	2	2	2	1		
		15	90453-235-000	WASHER, THRUST, 16MM	1	1	1	1		
		16	90453-428-000	WASHER, THRUST, 22MM	1	1	1	1		
		17	90456-323-000	WASHER, THRUST, 22MM	1	1	1	1		
		18	90601-329-000	CIRCLIP, 22MM	1	1	1	1		
		19	94510-16000	CIRCLIP, EXTERNAL, 16	1	1	1	1		
		20	94510-24000	CIRCLIP, EXTERNAL, 24	1	1	1	1		

E 10



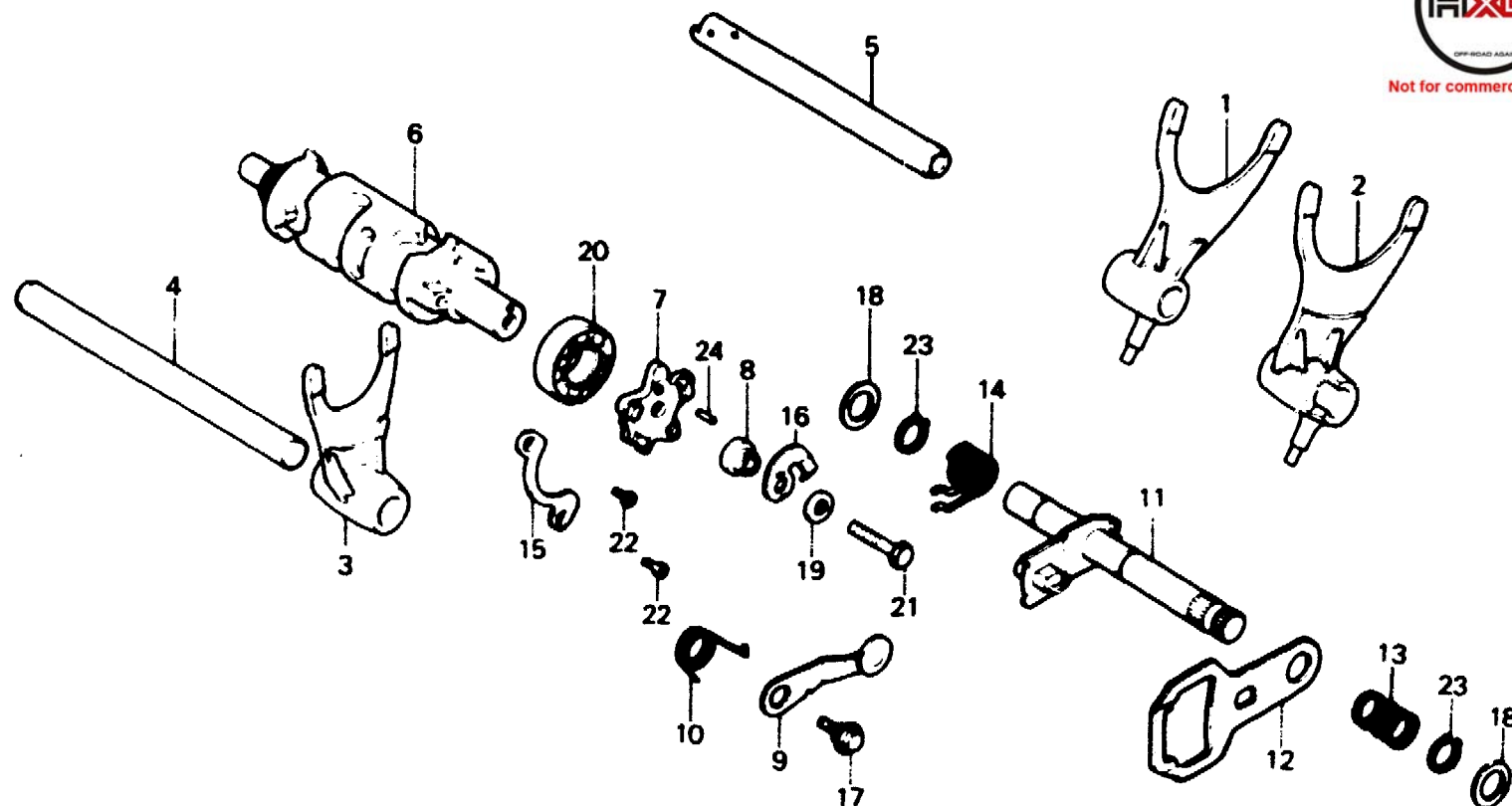
E-15

Shift drum • Shift fork

Tambour de changement de vitesse • Fourchette de changement

Schaltwalze • Schaltgabel

Tambor do cambio • Horquilla de cambio



B435-31

Service item	F.R.T.	Ref. No.	Part No.	Description	Reqd. No.				Serial No.	Area code
					Sz	XL	500	Rc		
FORK, GEARSHIFT	*3.6	1	24211-429-000	FORK, R. GEARSHIFT	1	1	1	1		
INC. RELATIVE PART		2	24212-429-000	FORK, L. GEARSHIFT	1	1	1	1		
DRUM, GEARSHIFT	*3.7	3	24213-429-000	FORK, CENTER GEARSHIFT	1	1	1	1		
INC. RELATIVE PART		4	24241-399-000	SHAFT, GEARSHIFT FORK GUIDE	1	1	1	1		
CAM, GEARSHIFT	0.7	5	24265-429-000	MAINSHAFT COMP., GEARSHIFT	1				5002231	B,CM,DK,DM,E,ED,F,SA,U
SPINDLE COMP., GEARSHIFT				FORK						1G
INC. RELATIVE PART			24265-429-010	MAINSHAFT COMP., GEARSHIFT	1				5002232	B,CM,DK,DM,E,ED,F,SA,U
STOPPER COMP., GEARSHIFT DRUM	0.6			FORK	1	1	1	1		1G
INC. RELATIVE PART						1	1	1		2G
										B,CM,DK,DM,E,ED,F,IT,SA
										SD,U,1G
		6	24301-428-000	DRUM, GEARSHIFT	1	1	1	1		
		7	24411-428-000	CAM, GEARSHIFT	1	1	1	1		

E 11



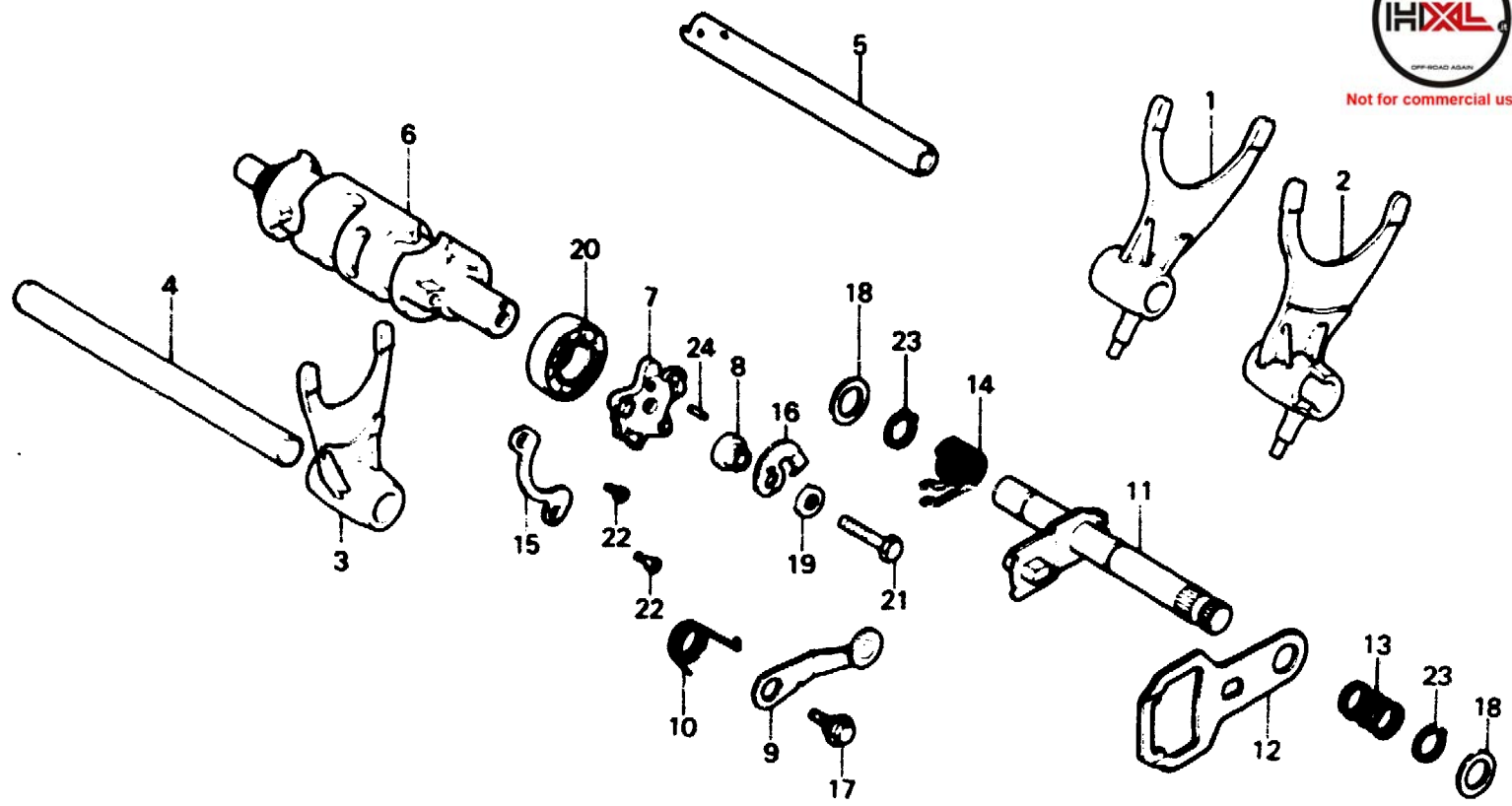
E-15

Shift drum • Shift fork

Tambour de changement de vitesse • Fourchette de changement

Schaltwalze • Schaltgabel

Tambor do cambio • Horquilla de cambio



4x2WD

B435-31

Service item	F.R.T.	Ref. No.	Part No.	Description	Reqd. No.				Serial No.	Area code
					Sz	XL500	Sa	Rc		
		8	24412-428-000	COLLAR, GEARSHIFT CAM	1	1	1	1		
		9	24430-428-000	STOPPER COMP., GEARSHIFT DRUM	1	1	1	1		
		10	24435-428-000	SPRING, SHIFT DRUM STOPPER	1	1	1	1		
		11	24610-428-000	SPINDLE COMP., GEARSHIFT	1	1	1	1		
		12	24621-428-000	PLATE, GEARSHIFT	1	1	1	1		
		13	24631-362-000	SPRING, GEARSHIFT PLATE	1	1	1	1		
		14	24651-429-000	SPRING, GEARSHIFT RETURN	1	1	1	1		
		15	24710-362-000	PLATE, BEARING SETTING	1	1	1	1		
		16	35753-428-000	ROTOR, NEUTRAL SWITCH	1	1	1	1		

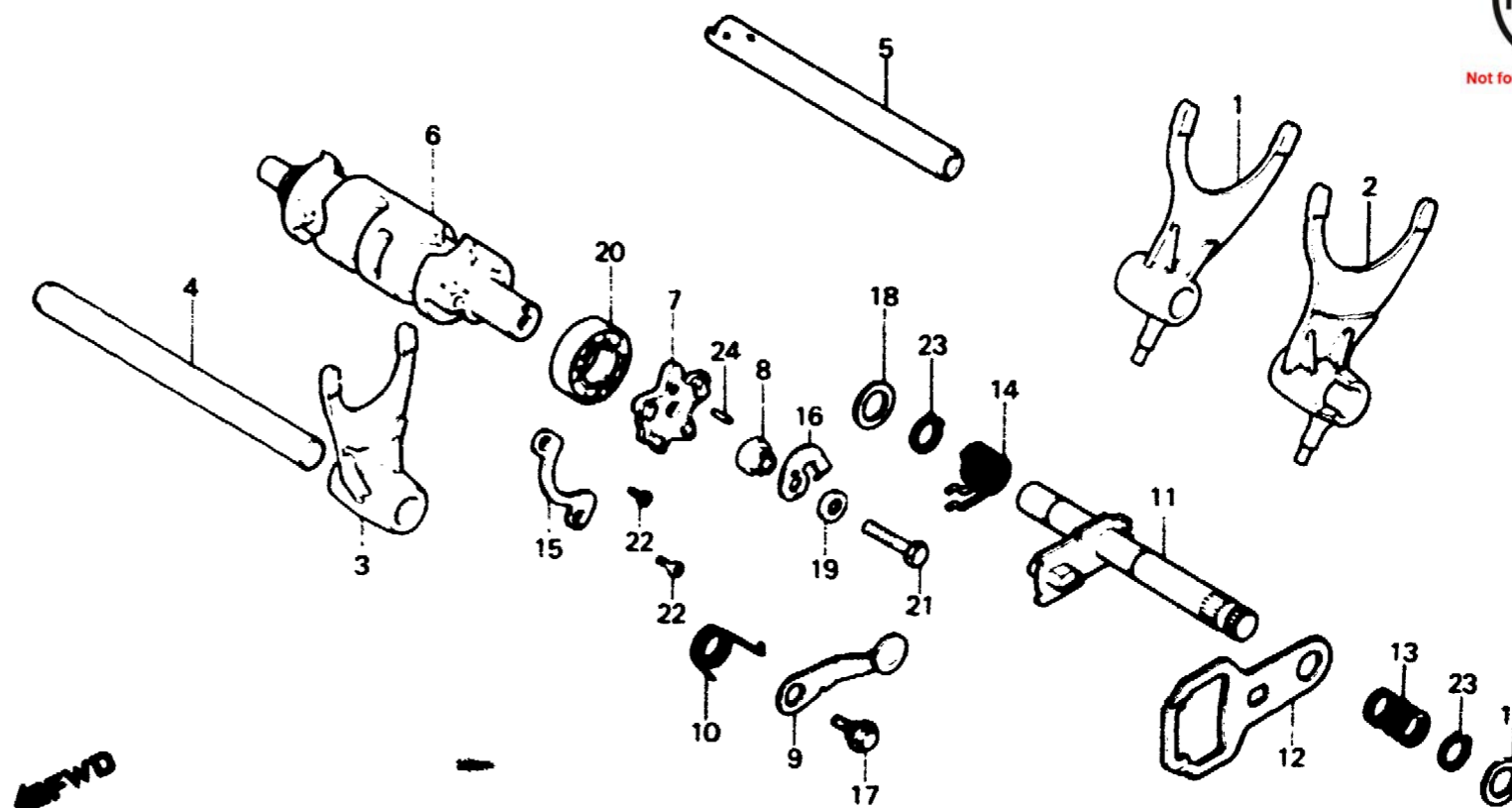
E-15

Shift drum • Shift fork

Tambour de changement de vitesse • Fourchette de changement

Schaltwalze • Schaltgabel

Tambor do cambio • Horquilla de cambio



B435-31

Service item	F.R.T.	Ref. No.	Part No.	Description	Reqd. No				Serial No.	Area code
					Sz	XL500	Se	Rc		
		17	90023-041-000	BOLT, GEARSHIFT DRUM STOPPER ARM PIVOT	1	1	1	1		
		18	90452-500-000	WASHER, CHAIN GUIDE ROLLER THRUST	2	2	2	2		
		19	90486-028-000	WASHER, SPARK ADVANCER SETTING	1	1	1	1		
		20	91008-362-000	BEARING, RADIAL BALL, 16003	1	1	1	1		
		21	92200-06028	BOLT, HEX., 6X28	1	1	1	1		
		22	93600-06012	SCREW, FLAT, 6X12	2	2	2	2		
		23	94510-12000	CIRCLIP, EXTERNAL, 12	2	2	2	2		
		24	96220-30085	ROLLER, 3X8.5	1	1	1	1		

E 13



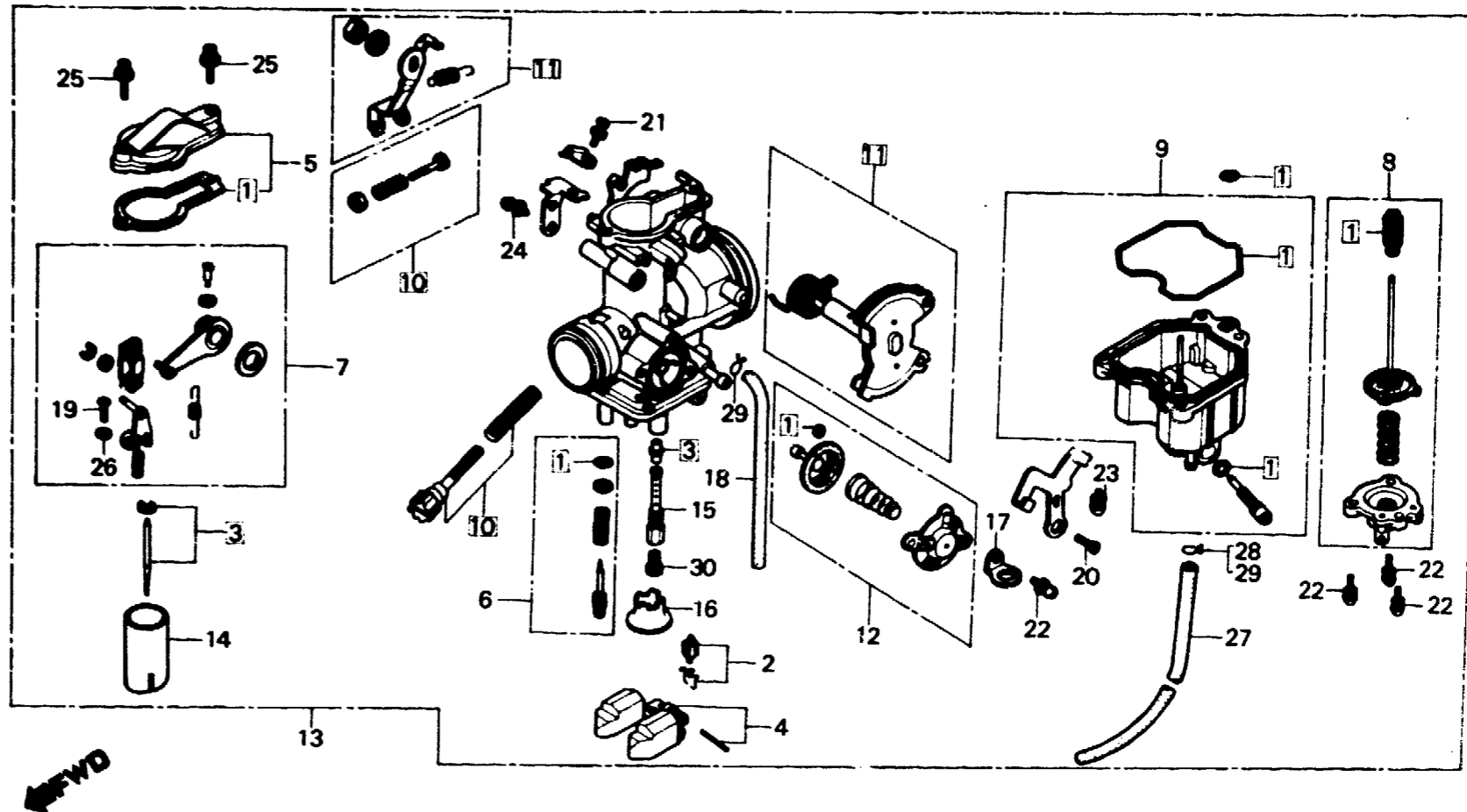
E-16

**Carburetor
(XL500Sz·SA·SB·CM)**

**Carburateur
(XL500Sz·SA·SB·CM)**

**Vergaser
(XL500Sz·SA·SB·CM)**

**Carburador
(XL500Sz·SA·SB·CM)**



B435-3

Service item	F.R.T.	Ref. No.	Part No.	Description	Reqd. No.			Serial No.	Area code
					Sz	XL500 SA SA	Rc		
PACKING SET	1.0	1	16010-435-671	PACKING SET	1	1	1	CM	
VALVE SET, FLOAT	0.6	2	16011-382-004	VALVE SET, FLOAT	1	1	1	CM	
FLOAT SET		3	16012-435-671	NEEDLE SET, JET	1			CM	
CHAMBER SET B, FLOAT			16012-435-771	NEEDLE SET, JET		1	1	CM	
HOLDER, NEEDLE JET		4	16013-393-004	FLOAT SET	1	1	1	CM	
JET, MAIN		5	16014-429-671	TOP SET	1	1	1	CM	
NEEDLE SET, JET	0.8								
TOP SET	0.2	6	16016-410-601	SCREW SET A	1			CM	
ARM SET, LINK	0.7		16016-435-781	SCREW SET A		1		CM	
LINK SET, THROTTLE							1	CM	
DIAPHRAGM SET, PUMP	0.5	7	16018-428-671	ARM SET, LINK	1	1	1	CM	
CARBURETOR ASSY.		8	16021-428-671	DIAPHRAGM SET, PUMP	1			CM	
VALVE, THROTTLE			16021-428-771	DIAPHRAGM SET, PUMP		1	1	CM	
VALVE SET, AIR CUT	0.1	9	16023-426-003	CHAMBER SET B, FLOAT	1	1	1	CM	
		10	16028-435-671	SCREW SET B	1			CM	
			16028-435-771	SCREW SET B		1	1	CM	
		11	16032-435-671	LINK SET, THROTTLE	1	1	1	CM	
		12	16048-429-671	VALVE SET, AIR CUT	1			CM	

E 14



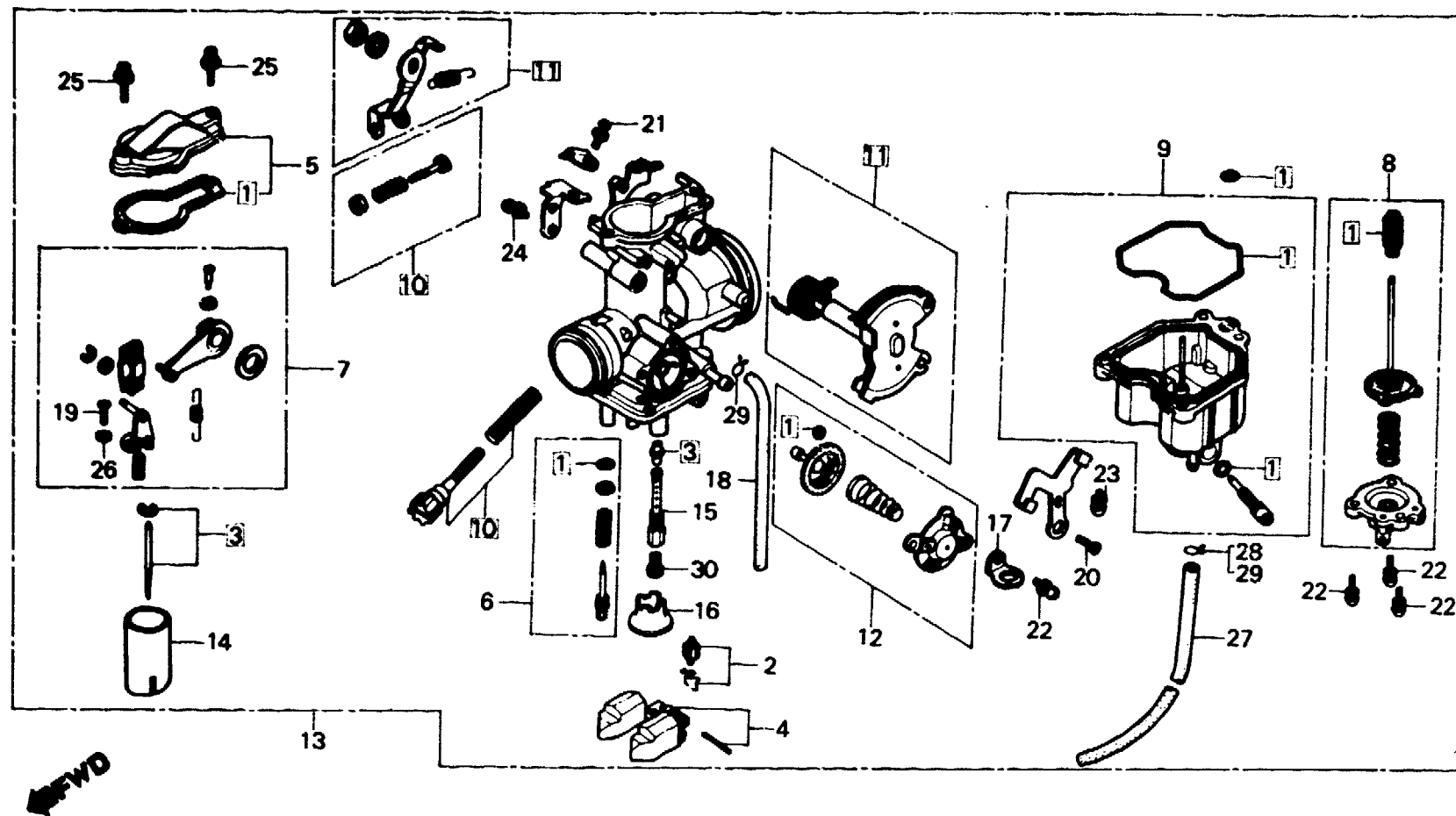
E-16

**Carburetor
(XL500S2-SA-SB-CM)**

**Carburateur
(XL500S2-SA-SB-CM)**

**Vergaser
(XL500S2-SA-SB-CM)**

**Carburador
(XL500S2-SA-SB-CM)**



B435-3

Service item	F.R.T.	Ref. No.	Part No.	Description	Reqd. No.			Serial No.	Area code
					Sz	XL500 SA	Sa Rc		
		13	16048-429-771	VALVE SET, AIR CUT		1	1		CM
			16100-435-672	CARBURETOR ASSY.	1				CM
			16100-435-781	CARBURETOR ASSY.		1			CM
							1		CM
		14	16111-435-671	VALVE, THROTTLE	1	1	1		CM
		15	16165-435-004	HOLDER, NEEDLE JET	1				CM
			16165-435-771	HOLDER, NEEDLE JET		1	1		CM
		16	16168-382-014	HOLDER, JET	1	1	1		CM
		17	16179-428-671	BINDER	1				CM
		18	16199-428-671	PIPE, AIR VENT	1				CM
			16199-428-771	TUBE, FUEL		1	1		CM
		19	93500-03008-0H	SCREW, PAN, 3X8	2	2	2		CM
		20	93600-05010-0H	SCREW, FLAT, 5X10	1	1	1		CM
		21	93892-04008-08	SCREW-WASHER, 4X8	1	1	1		CM
		22	93892-04012-08	SCREW-WASHER, 4X12	5	5	5		CM
		23	93892-04016-08	SCREW-WASHER, 4X16	3	3	3		CM
		24	93892-05010-08	SCREW-WASHER, 5X10	1	1	1		CM
		25	93893-04018-08	SCREW-WASHER, 4X18	2	2	2		CM

1981.12.20

E

E14

E 15

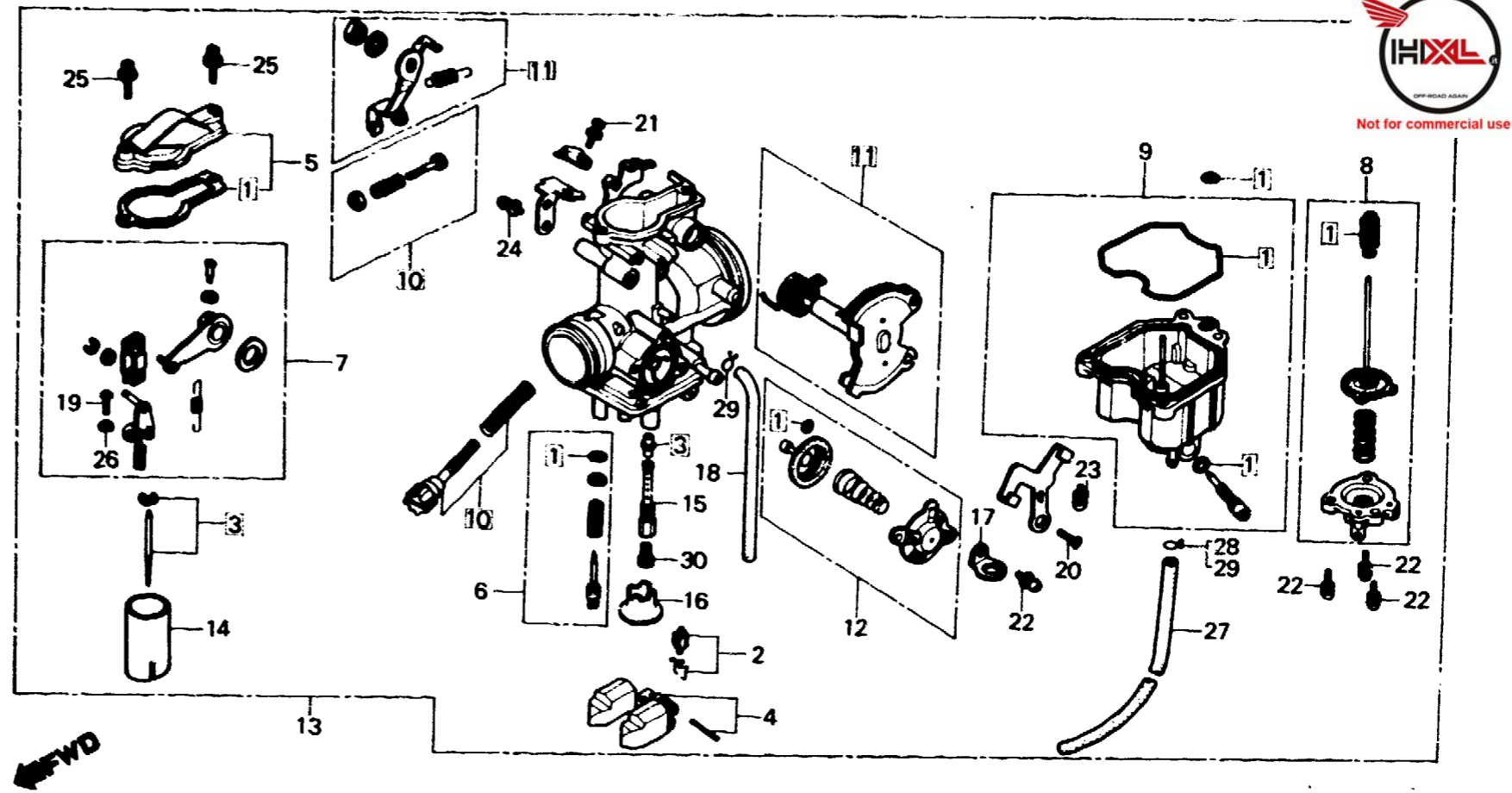
E-16

**Carburetor
(XL500Sz·SA·SB·CM)**

**Carburateur
(XL500Sz·SA·SB·CM)**

**Vergaser
(XL500Sz·SA·SB·CM)**

**Carburador
(XL500Sz·SA·SB·CM)**



B435-3

Service item	F.R.T.	Ref. No.	Part No.	Description	Reqd. No.				Serial No.	Area code
					Sz	XL500	SA	SB		
		26	94111-03800	WASHER, SPRING, 3MM	2	2	2			CM
		27	95001-35330-40	TUBE, FUEL, 3.5X330	1					CM
			16199-435-771	TUBE, RUBBER		1	1			CM
		28	95002-02070	CLIP B7, TUBE	1	2	2			CM
		29	95002-02650	CLIP B6.5, TUBE	1					CM
		30	99101-393-1550	JET, MAIN, #155	1	1	1			CM

1981.12.20

E

E15

E 16

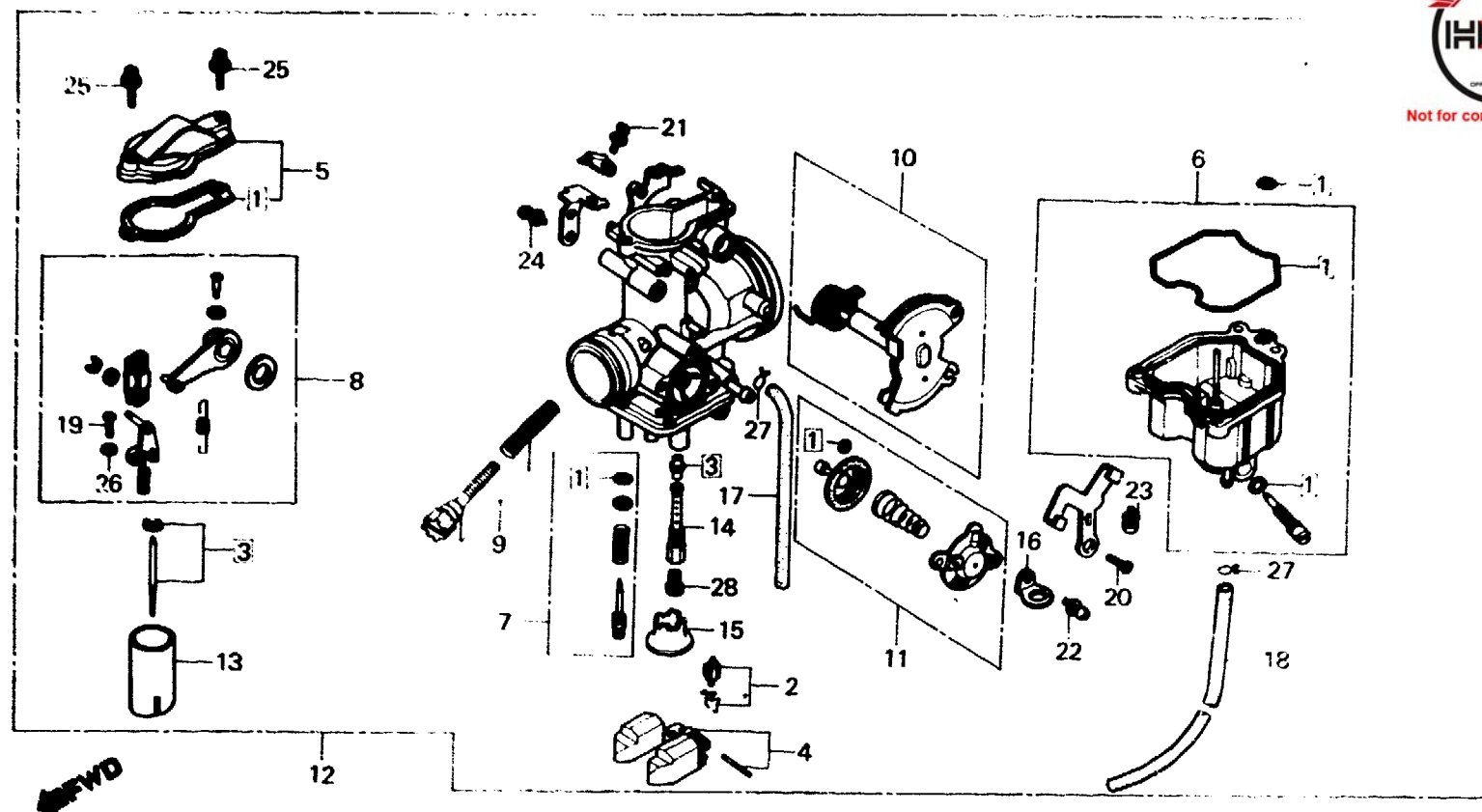
E-16-1

**Carburetor (XL500Sz·SA·SB-B,
DK,DM,E,ED,F,SA,SD,U,1G,2G)**

**Carburateur (XL500Sz·SA·SB-B,
DK,DM,E,ED,F,SA,SD,U,1G,2G)**

**Vergaser (XL500Sz·SA·SB-B,
DK,DM,E,ED,F,SA,SD,U,1G,2G)**

**Carburador (XL500Sz·SA·SB-B,
DK,DM,E,ED,F,SA,SD,U,1G,2G)**



Not for commercial use

B435-3A

Service item	F.R.T.	Ref. No.	Part No.	Description	Reqd. No.			Serial No.	Area code
					Sz	XL500 SA	Sa Ss		
PACKING SET	1.0	1	16010-435-004	PACKING SET	1	1	1	B,DK,DM,E,ED,F,SA,SD,U 1G,2G	
VALVE SET, FLOAT	0.6	2	16011-382-004	VALVE SET, FLOAT	1	1	1	B,DK,DM,E,ED,F,SA,SD,U 1G,2G	
FLOAT SET		3	16012-435-004	NEEDLE SET, JET	1	1		B,DK,DM,E,ED,F,SA,SD,U 1G,2G	
CHAMBER SET, FLOAT			16012-435-641	NEEDLE SET, JET			1	B,E,ED,F,SD,1G,2G	
HOLDER, NEEDLE JET			16012-435-642	NEEDLE SET, JET			1	DK,DM,SA,U	
JET, MAIN		4	16013-393-004	FLOAT SET	1	1	1	B,DK,DM,E,ED,F,SA,SD,U 1G,2G	
NEEDLE SET, JET	0.8							B,DK,DM,E,ED,F,SA,SD,U 1G,2G	
TOP SET	0.2	5	16014-429-671	TOP SET	1	1	1	B,DK,DM,E,ED,F,SA,SD,U 1G,2G	
ARM SET, LINK	0.7							B,DK,DM,E,ED,F,SA,SD,U 1G,2G	
LINK SET, THROTTLE		6	16015-393-004	CHAMBER SET A, FLOAT	1	1		B,DK,DM,E,ED,F,SA,SD,U 1G,2G	
VALVE SET, AIR CUT	0.1		16015-428-004	CHAMBER SET, FLOAT			1	B,DK,DM,E,ED,F,SA,SD,U 1G,2G	
CARBURETOR ASSY.	0.5	7	16016-385-681	SCREW SET A	1	1		DK,DM,E,ED,F,SA,SD,U,1G 2G	
VALVE, THROTTLE			16016-393-700	SCREW SET A	1	1		B	

F 1

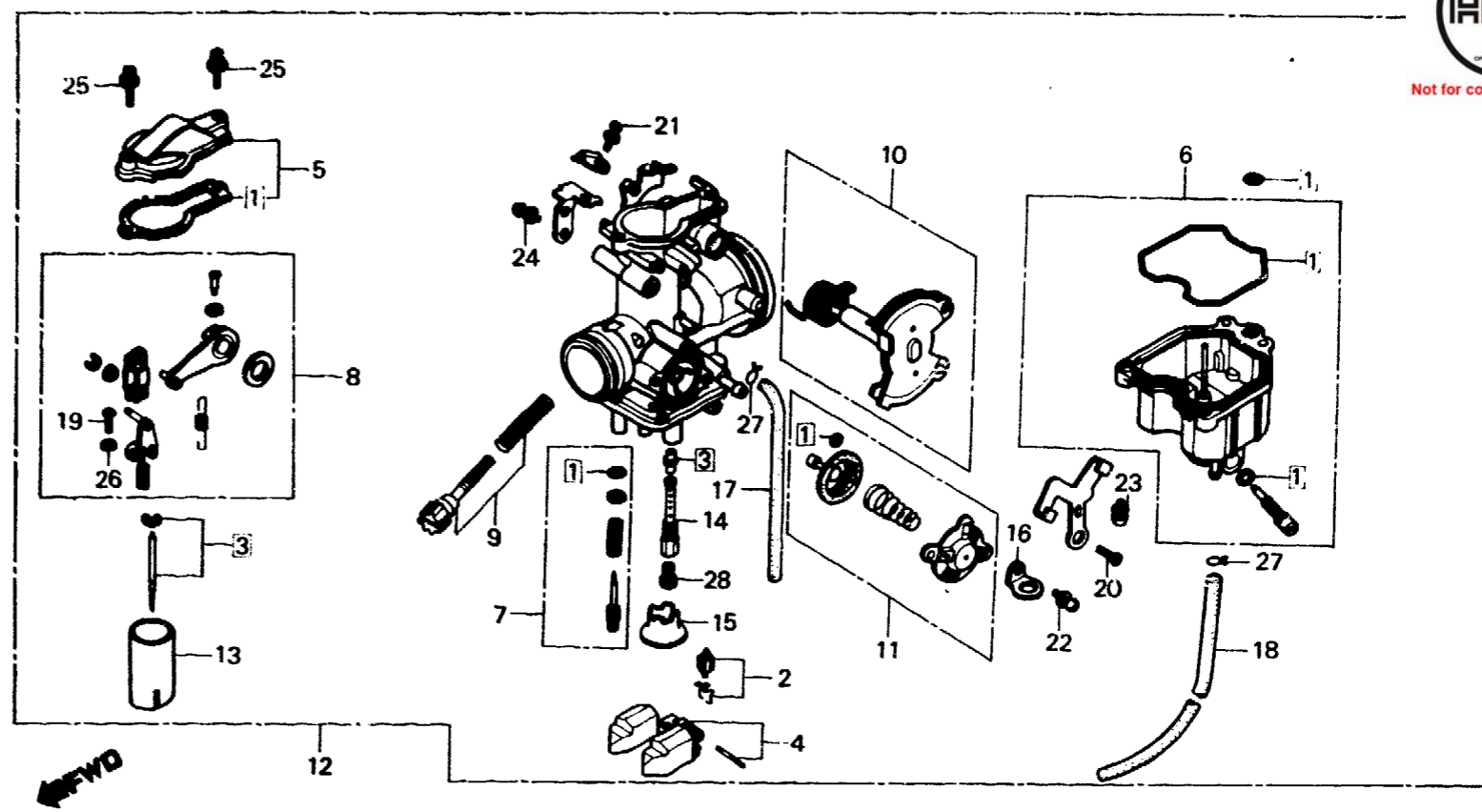
E-16-1

**Carburetor (XL500Sz·SA·SB-B,
DK,DM,E,ED,F,SA,SD,U,1G,2G)**

**Carburateur (XL500Sz·SA·SB-B,
DK,DM,E,ED,F,SA,SD,U,1G,2G)**

**Vergaser (XL500Sz·SA·SB-B,
DK,DM,E,ED,F,SA,SD,U,1G,2G)**

**Carburador (XL500Sz·SA·SB-B,
DK,DM,E,ED,F,SA,SD,U,1G,2G)**



B435-3A

Service item	F.R.T.	Ref. No.	Part No.	Description	Reqd. No.				Serial No.	Area code
					Sz	SA	SB	Rc		
			16016-435-781	SCREW SET A			1		B,DK,DM,E,ED,F,SA,SD,U 1G,2G	
		8	16018-428-004	ARM SET, LINK	1	1			B,DK,DM,E,ED,F,SA,SD,U 1G,2G	
			16018-428-671	ARM SET, LINK			1		B,E,ED,F,SD,1G,2G	
		9	16028-435-004	SCREW SET B	1	1	1		DK,DM,SA,U B,DK,DM,E,ED,F,SA,SD,U 1G,2G	
		10	16032-435-004	LINK SET, THROTTLE	1	1	1		B,DK,DM,E,ED,F,SA,SD,U 1G,2G	
		11	16048-429-771	VALVE SET, AIR CUT	1	1	1		DK,DM,E,ED,F,SA,SD,U,1G 2G	
			16048-435-771	VALVE SET, AIR CUT			1		B	
		12	16100-435-014	CARBURETOR ASSY.	1	1			B	
			16100-435-024	CARBURETOR ASSY.			1		B	
			16100-435-722	CARBURETOR ASSY.	1				DK,DM,E,ED,F,SA,U,1G,2G	
			16100-435-723	CARBURETOR ASSY.			1		DK,DM,E,ED,F,SA,SD,U,1G 2G	



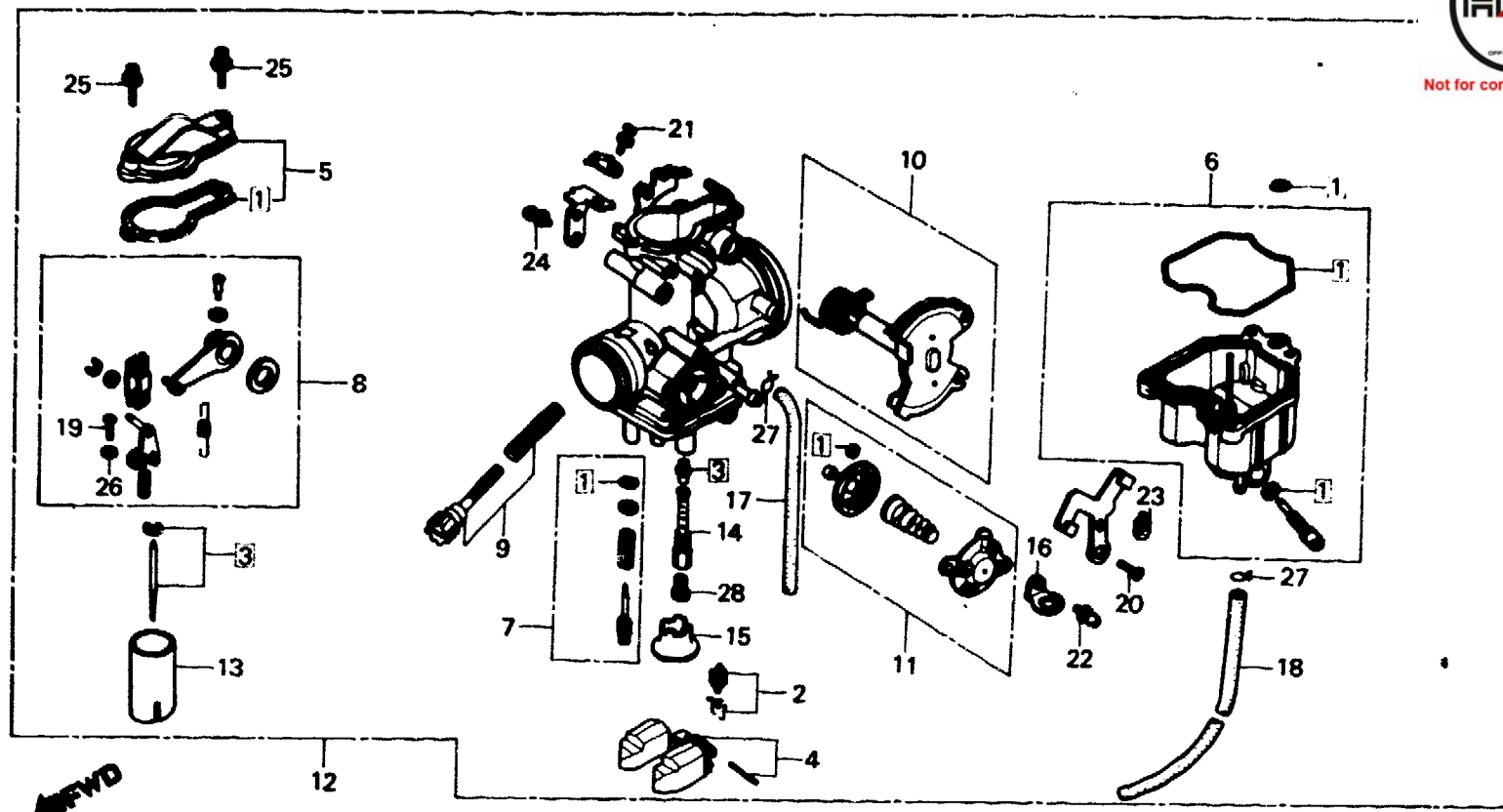
E-16-1

**Carburetor (XL500Sz·SA·SB-B,
DK,DM,E,ED,F,SA,SD,U,1G,2G)**

**Carburateur (XL500Sz·SA·SB-B,
DK,DM,E,ED,F,SA,SD,U,1G,2G)**

**Vergaser (XL500Sz·SA·SB-B,
DK,DM,E,ED,F,SA,SD,U,1G,2G)**

**Carburador (XL500Sz·SA·SB-B,
DK,DM,E,ED,F,SA,SD,U,1G,2G)**



B435-3A

Service item	F.R.T.	Ref. No.	Part No.	Description	Reqd. No.				Serial No.	Area code
					Sz	SA	SA	Rc		
			16100-435-641	CARBURETOR ASSY.				1		B,E,ED,F,SD,1G,2G
			16100-435-651	CARBURETOR ASSY.				1		DK,DM,SA,U
		13	16111-435-004	VALVE, THROTTLE	1	1		1		DK,DM,SA,U
			16111-435-671	VALVE, THROTTLE				1		B,E,ED,F,SD,1G,2G
		14	16165-435-004	HOLDER, NEEDLE JET	1	1		1		DK,DM,SA,U
			16168-382-014	HOLDER, JET	1	1		1		B,DK,DM,E,ED,F,SA,SD,U
			16179-428-671	BINDER				1		1G,2G
		16	16179-428-671	BINDER				1		B,DK,DM,E,ED,F,SA,U,1G
		17	16199-428-671	PIPE, AIR VENT				1		2G
			16199-428-771	TUBE, FUEL				1	1	B,DK,DM,E,ED,F,SA,SD,U
		18	16199-435-771	TUBE, RUBBER				1		1G,2G
								1		ED
								1	1	ED
								1	1	B,DK,DM,E,F,SA,SD,U,1G
										2G

F 3

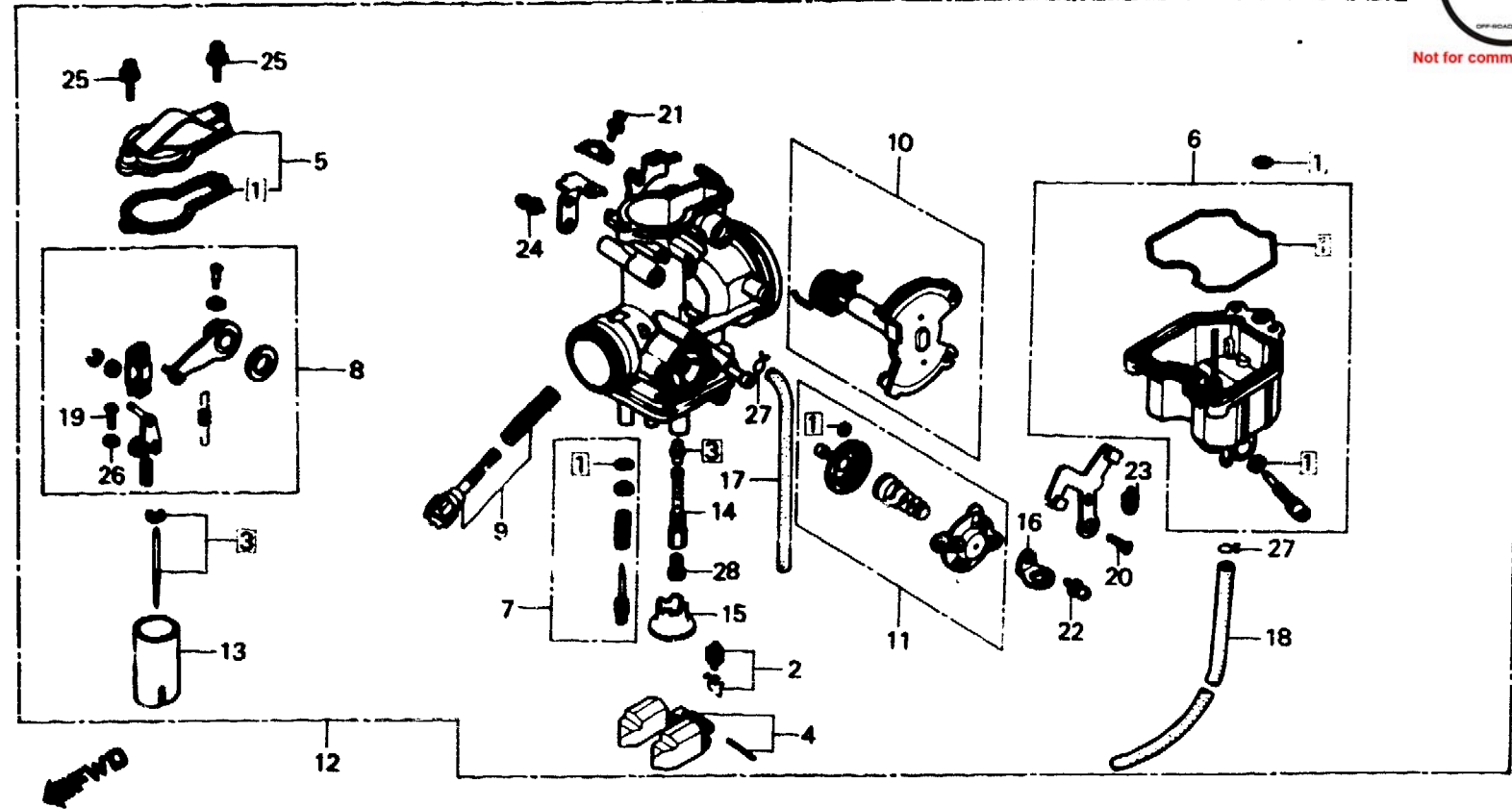
E-16-1

**Carburetor (XL500Sz-SA-SB-B,
DK,DM,E,ED,F,SA,SD,U,1G,2G)**

**Carburateur (XL500Sz-SA-SB-B,
DK,DM,E,ED,F,SA,SD,U,1G,2G)**

**Vergaser (XL500Sz-SA-SB-B,
DK,DM,E,ED,F,SA,SD,U,1G,2G)**

**Carburador (XL500Sz-SA-SB-B,
DK,DM,E,ED,F,SA,SD,U,1G,2G)**



B435-3A

Service item	F.R.T.	Ref. No.	Part No.	Description	Reqd. No.				Serial No.	Area code
					Sz	XL500	SA	Sa		
		19	93500-03008-0H	SCREW, PAN, 3X8	2	2	2		B,DK,DM,E,ED,F,SA,SD,U 1G,2G	
		20	93600-05010-0H	SCREW, FLAT, 5X10	1	1	1		B,DK,DM,E,ED,F,SA,SD,U 1G,2G	
		21	93892-04008-08	SCREW-WASHER, 4X8	1	1	1		B,DK,DM,E,ED,F,SA,SD,U 1G,2G	
		22	93892-04012-08	SCREW-WASHER, 4X12	2	2	2		B,DK,DM,E,ED,F,SA,SD,U 1G,2G	
		23	93892-04016-08	SCREW-WASHER, 4X16	3	3	3		B,DK,DM,E,ED,F,SA,SD,U 1G,2G	
		24	93892-05010-08	SCREW-WASHER, 5X10	1	1	1		B,DK,DM,E,ED,F,SA,SD,U 1G,2G	
		25	93893-04018-00	SCREW-WASHER, 4X18	2	2			B,DK,DM,E,ED,F,SA,SD,U 1G,2G	
			93892-04018-08	SCREW-WASHER, 4X18			2		B,E,ED,F,SD,1G,2G DK,DM,SA,U	
		26	94111-03800	WASHER, SPRING, 3MM	2	2	2		B,DK,DM,E,ED,F,SA,SD,U 1G,2G	

F 4

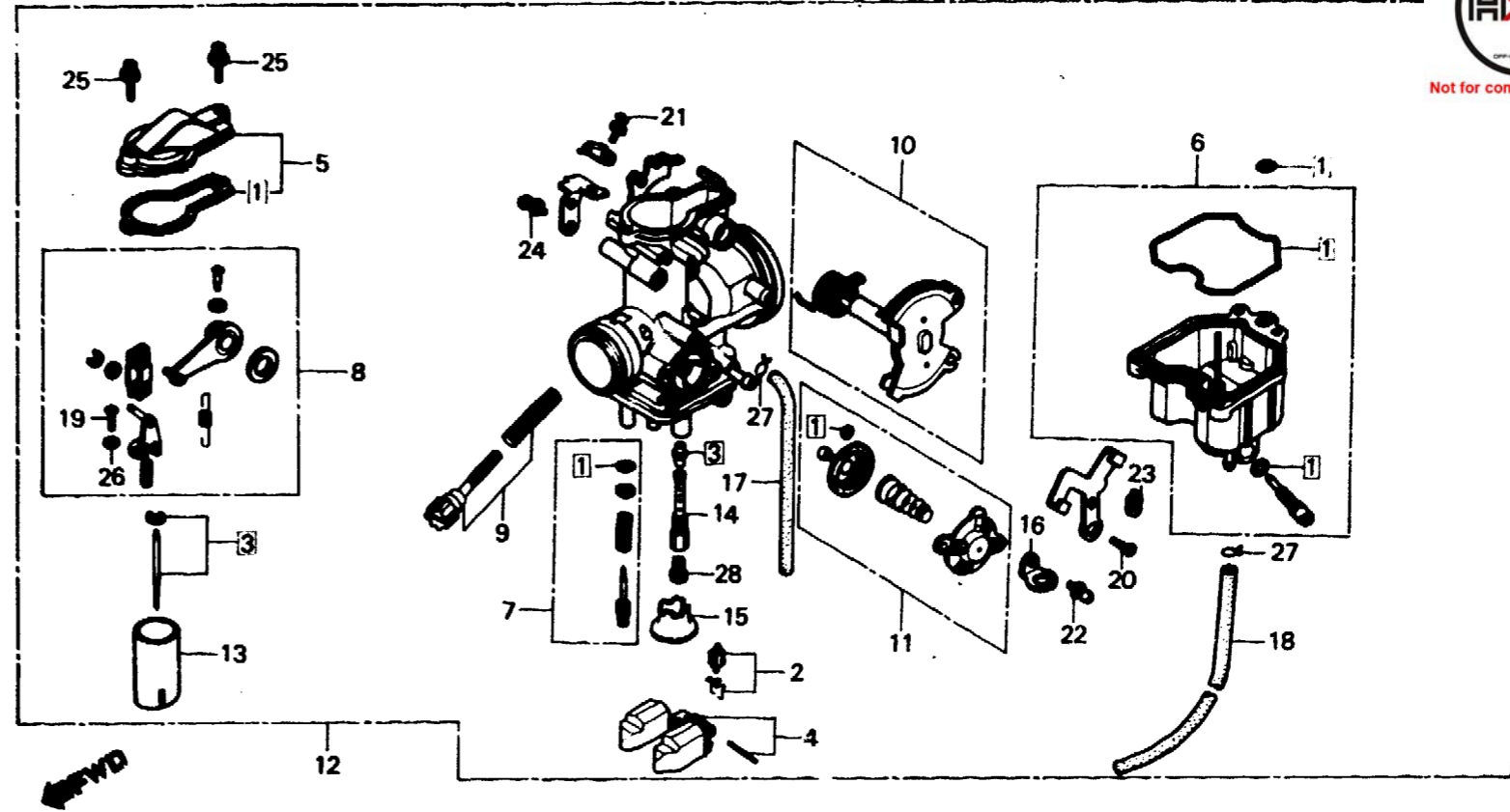
E-16-1

Carburetor (XL500Sz-SA-SB-B, DK,DM,E,ED,F,SA,SD,U,1G,2G)

Carburateur (XL500Sz-SA-SB-B, DK,DM,E,ED,F,SA,SD,U,1G,2G)

Verqaser (XL500Sz-SA-SB-B, DK,DM,E,ED,F,SA,SD,U,1G,2G)

Carburador (XL500Sz-SA-SB-B, DK,DM,E,ED,F,SA,SD,U,1G,2G)



B435-3A

Service item	F.R.T.	Ref. No.	Part No.	Description	Reqd. No.				Serial No.	Area code
					Sz	SA	SB	Rc		
		27	95002-02070	CLIP B7, TUBE	2					ED ED B,DK,DM,E,F,SA,SD,U,1G 2G
		28	99101-393-1050	JET, MAIN, #105	1	1				B
			99101-393-1550	JET, MAIN, #155	1	1				DK,DM,E,ED,F,SA,SD,U,1G 2G
			99101-393-1200	JET, MAIN, #120				1		B,E,ED,F,SD,1G,2G
			99101-393-145	JET, MAIN, #145				1		DK,DM,SA,U

1981.12.20

E

F4