

D 1



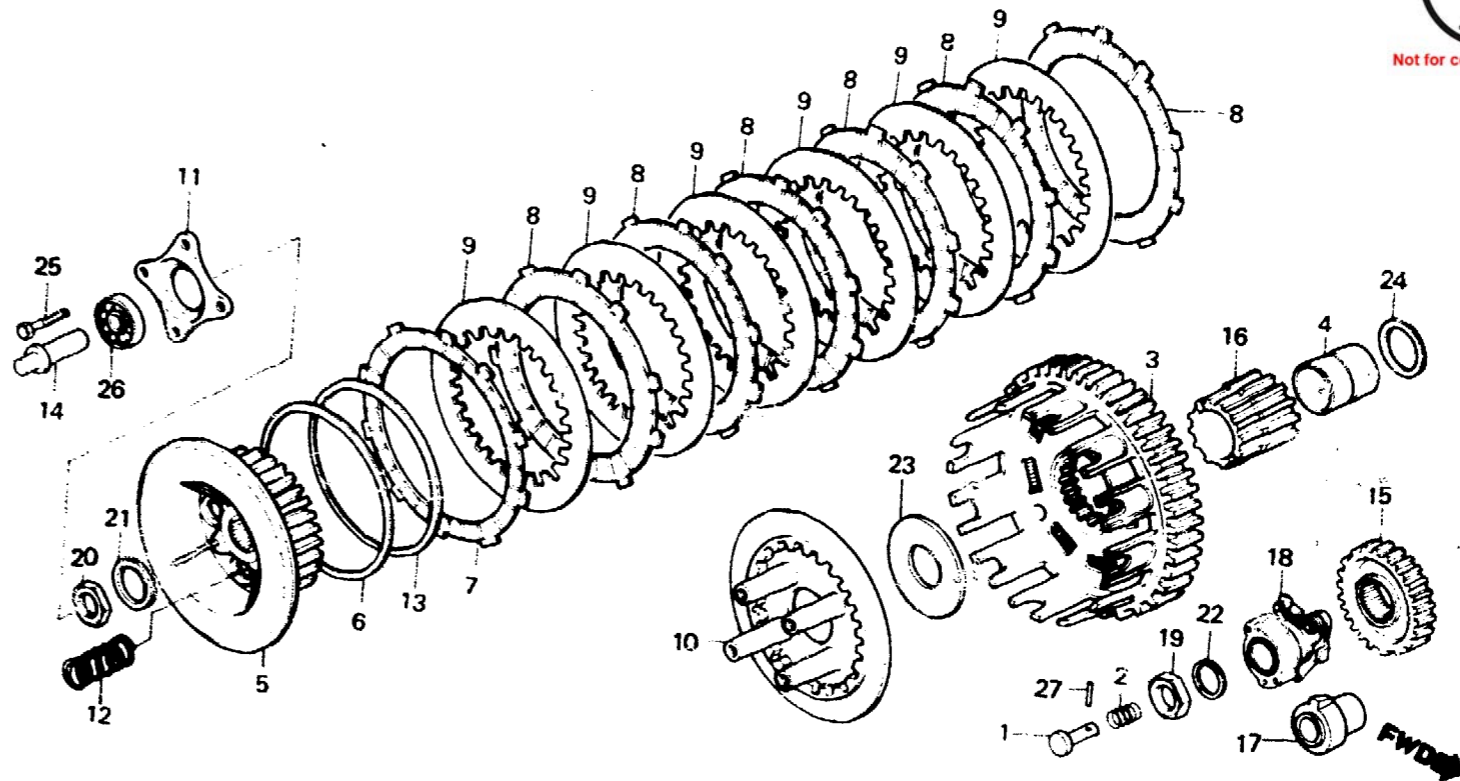
E-7

Clutch • Advancer

Embrayage • Avance

Kupplung • Zündversteller

Embrague • Avanzador



B435-1A

Service item	F.R.T.	Ref. No.	Part No.	Description	Reqd. No.				Serial No.	Area code
					Sz	SA	Sa	Rc		
THROUGH, OIL	0,7	1	15445-428-000	THROUGH, OIL	1	1	1	1		
• GEAR, PRIMARY DRIVE		2	15447-149-000	SPRING, OIL THROUGH	1	1	1	1		
• GEAR, KICK STARTER		3	22100-429-000	OUTER COMP., CLUTCH	1				5011534	B,DK,DM,E,ED,F,SA,U,1G
• ROTER COMP., PULSE					1					CM,2G
• ADVANCER ASSY, SPARK						1			5101675	CM
• OUTER COMP., CLUTCH	0,8					1				ED
• CENTER COMP., CLUTCH			22100-429-010	OUTER COMP., CLUTCH	1				5011535	B,DK,DM,E,ED,F,SA,U,1G
• DISK, CLUTCH FRICTION						1			5101676	CM
• INC. RELATIVE PART (ONE OR ALL)							1			B,DK,DM,E,ED,F,SA,U,1G
• PLATE, CLUTCH PRESSURE								1		2G
• SPRING, CLUTCH (ONE OR ALL)	0,6		22100-MC4-000	OUTER COMP., CLUTCH						CM,SD
		4	22116-429-000	GUIDE, CLUTCH OUTER	1	1	1	1		
		5	22120-429-000	CENTER COMP., CLUTCH	1	1	1	1		
		6	22125-435-000	SEAT, JUDDER SPRING	1	1	1	1		
		7	22201-302-000	DISK, CLUTCH FRICTION	1	1	1	1		
		8	22201-377-000	DISK, CLUTCH FRICTION	6	6	6	6		
		9	22321-429-000	PLATE, CLUTCH	6	6	6	6		
		10	22350-429-000	PLATE, CLUTCH PRESSURE	1	1	1	1		
			22350-MC4-000	PLATE, CLUTCH PRESSURE				1		

1981.12.20

E

D1

D 2



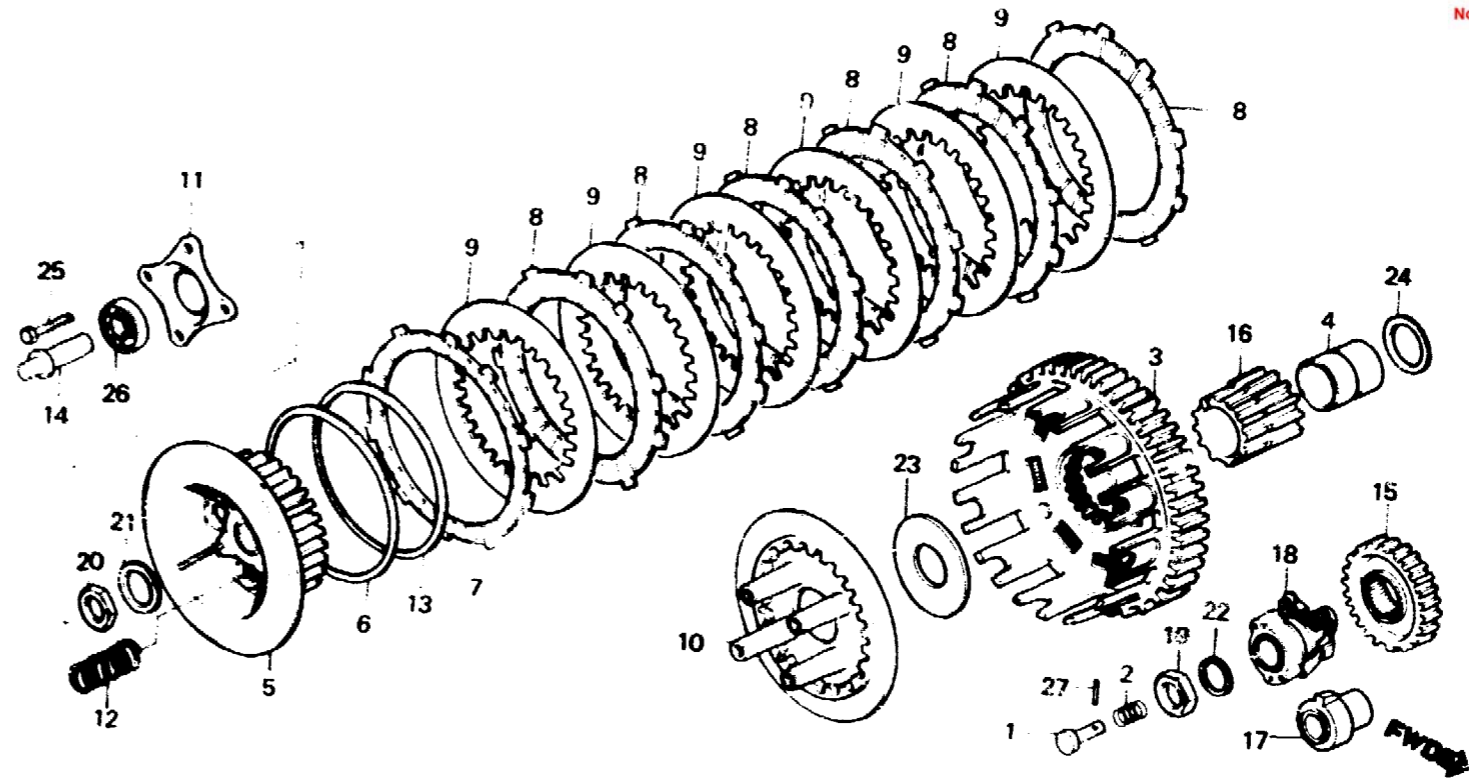
E-7

Clutch • Advancer

Embrayage • Avance

Kupplung • Zündversteller

Embrague • Avanzador



B435-1A

Service item	F.R.T.	Ref. No.	Part No.	Description	Reqd. No. XL500				Serial No.	Area code
					Sz	SA	Ss	Rc		
		11	22361-429-000	PLATE, CLUTCH LIFTER	1	1				B,CM,DK,DM,E,F,SA,SD,U 1G,2G ED,IT
			22361-471-000	PLATE, CLUTCH LIFTER	1	1	1	1		
		12	22401-429-000	SPRING, CLUTCH	4	4	4			
			22401-MC4-000	SPRING, CLUTCH				4		
		13	22402-435-000	SPRING, JUDDER	1	1	1	1		
		14	22847-428-000	ROD, CLUTCH LIFTER	1	1				B,CM,DK,DM,E,F,SA,SD,U 1G,2G ED,IT
			22847-166-000	ROD, CLUTCH LIFTER	1	1	1	1		
		15	23121-429-000	GEAR, PRIMARY DRIVE (29T)	1	1	1	1		
		16	28231-429-000	GEAR, KICK STARTER	1	1	1	1		
		17	30220-MC4-154	ROTER COMP., PULSE				1		
		18	30222-429-305	ADVANCER ASSY. A, SPARK	1				5009192	B,CM,DK,DM,E,ED,F,SA,U 1G



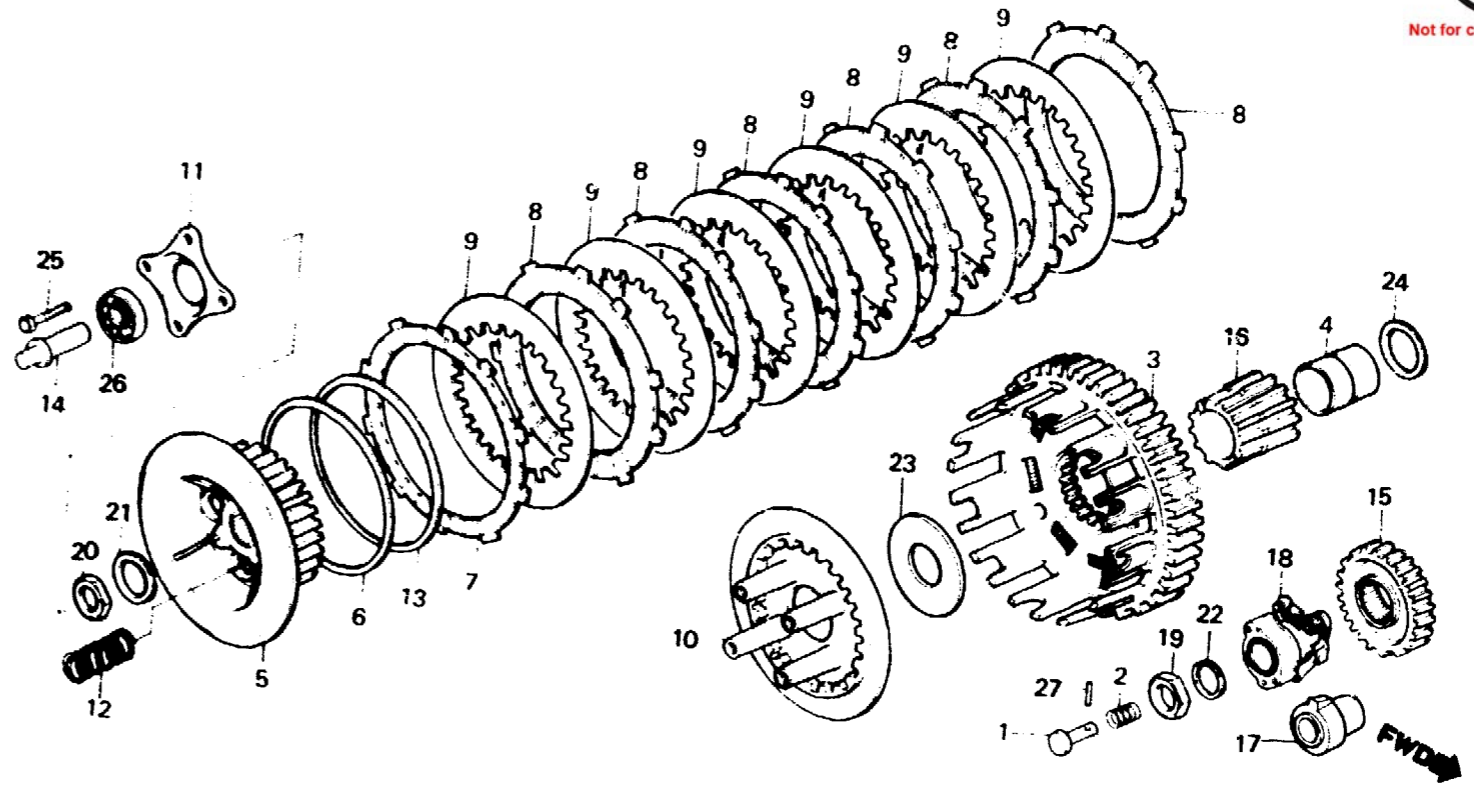
E-7

Clutch • Advancer

Embrayage • Avance

Kupplung • Zündversteller

Embrague • Avanzador



B435-1A

Service item	F.R.T.	Ref. No.	Part No.	Description	Reqd. No.				Serial No.	Area code
					Sz	XL500	SA	SA		
			30223-429-305	ADVANCER ASSY. B, SPARK	1				5009192	B,CM,DK,DM,E,ED,F,SA,U 1G
			30224-429-305	ADVANCER ASSY. C, SPARK	1				5009192	B,CM,DK,DM,E,ED,F,SA,U 1G
			30222-429-315	ADVANCER ASSY. A, SPARK	1	1	1		5009193	
			30223-429-315	ADVANCER ASSY. B, SPARK	1	1	1		5009193	
			30224-429-315	ADVANCER ASSY. C, SPARK	1	1	1		5009193	
		19	90235-428-000	NUT, LOCK, 18MM	1	1	1	1		
		20	90235-429-000	NUT, LOCK, 18MM	1	1	1	1		
		21	90432-428-000	WASHER, LOCK	1	1	1	1		
		22	90451-357-000	WASHER, 18MM	1	1	1	1		
		23	90452-471-000	WASHER, THRUST, 22MM						1
		24	90458-429-010	WASHER, THRUST, 22MM	1	1	1	1		
		25	92025-06025	BOLT, HEX., 6X25	4	4	4	4		
		26	96100-60010-00	BEARING, RADIAL BALL, 6001	1	1	1	1		



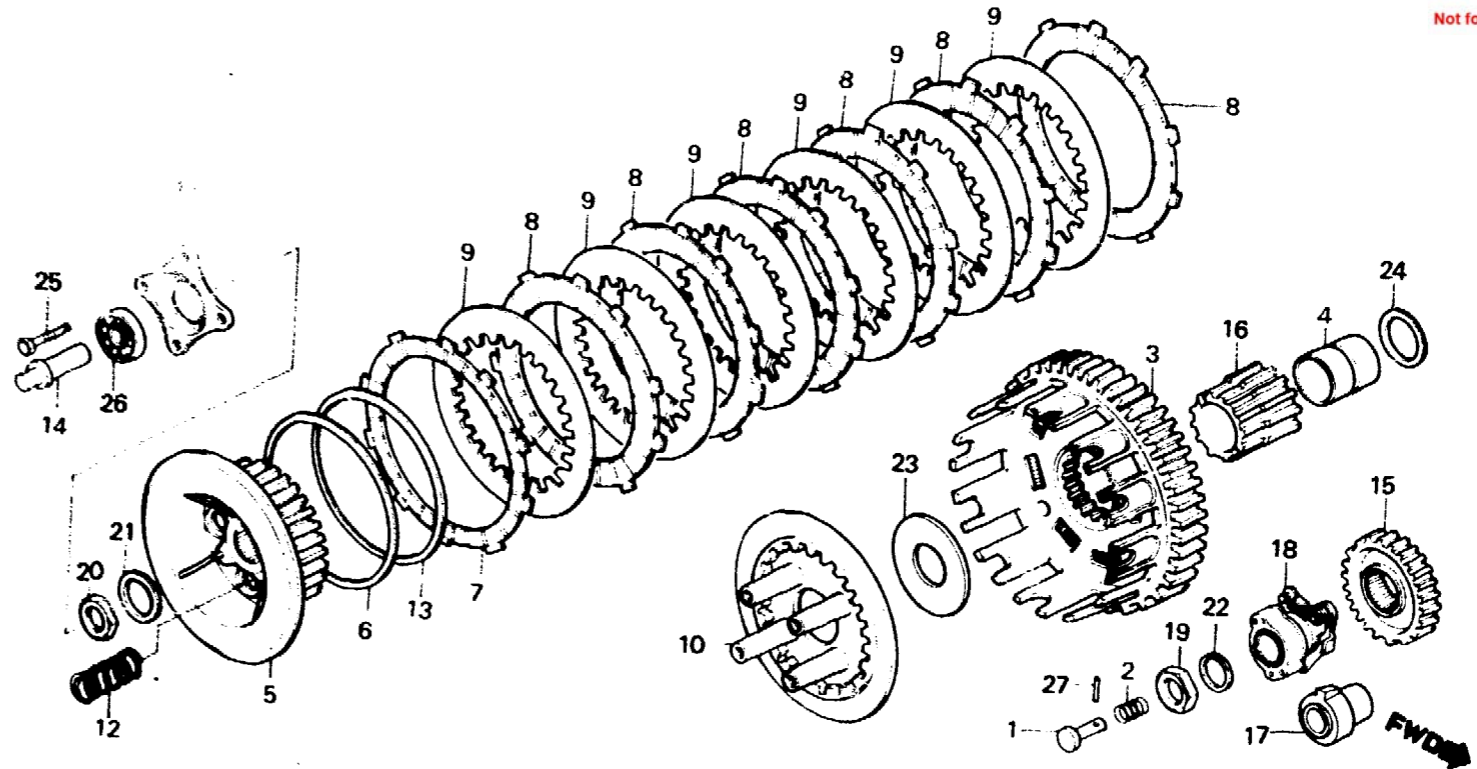
E-7

Clutch • Advancer

Embrayage • Avance

Kupplung • Zündversteller

Embrague • Avanzador



B435-1A

Service item	F.R.T.	Ref. No.	Part No.	Description	Reqd. No.				Serial No.	Area code
					Sz	XL500	SA	Se		
		27	96220-20138	ROLLER, 2X13.8	1	1	1	1		

1981.12.20

E

D4

D 5

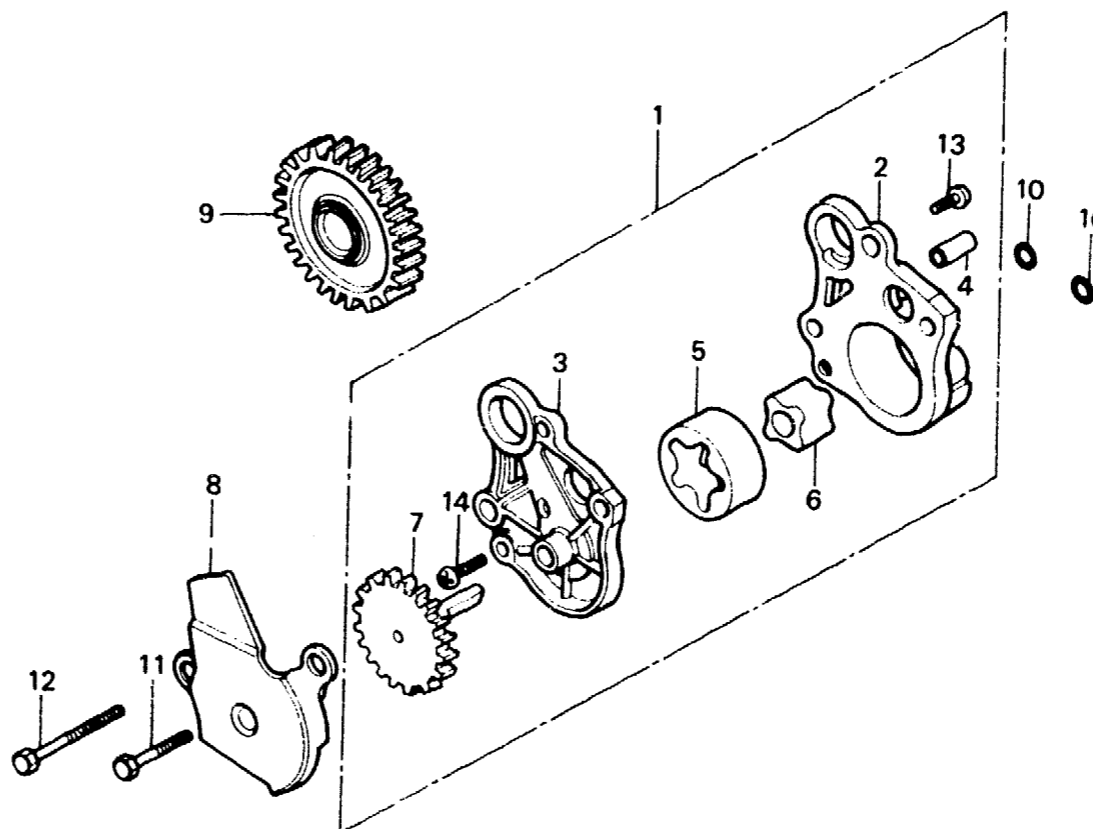
E-8

Oil pump

Pompe à huile

Ölpumpe

Bomba de aceite



B429-8

Service item	F.R.T.	Ref. No.	Part No.	Description	Reqd. No.				Serial No.	Area code	
					Sz	SA	Sb	Rc			
PUMP ASSY., OIL INC. RELATIVE PART GEAR, KICK STARTER IDLE	0.8	1	15100-429-000	PUMP ASSY., OIL	1	1	1	1			
		2	15111-429-000	BODY, OIL PUMP	1	1	1	1			
		3	15121-429-000	COVER, OIL PUMP	1	1	1	1			
		4	15122-428-000	PIN, DOWEL, 8X18	1	1	1	1			
		5	15122-429-000	ROTOR, OIL PUMP OUTER	1	1	1	1			
		6	15123-429-000	ROTOR, OIL PUMP INNER	1	1	1	1			
		7	15130-428-000	GEAR, OIL PUMP DRIVE (18T)	1	1	1	1			
		8	15197-428-010	PLATE, OIL PUMP SETTING	1	1	1	1			
		9	28221-429-000	GEAR, KICK STARTER IDLE (24T)	1					5002611	B,CM,DK,DM,E,ED,F,SA,U 1G
			28221-429-010	GEAR, KICK STARTER IDLE (24T)	1					5002612	B,CM,DK,DM,E,ED,F,SA,U 1G 2G B,CM,DK,DM,E,ED,F,IT,SA SD,U,1G
					1	1	1	1			
					1	1	1	1			



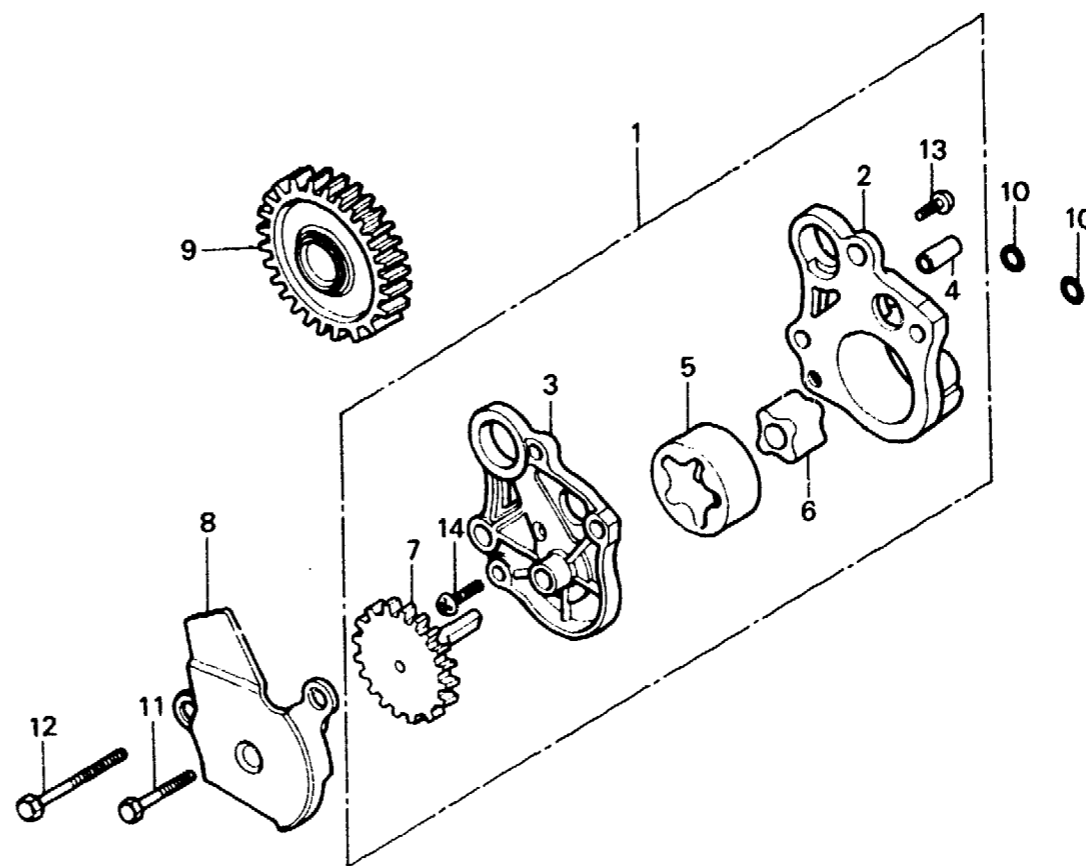
E-8

Oil pump

Pompe à huile

Ölpumpe

Bomba de aceite



B429-8

Service item	F.R.T.	Ref. No.	Part No.	Description	Reqd. No.				Serial No.	Area code
					Sz	SA	Se	Rc		
		10	91312-107-000	O-RING, 7X1.7	2	2	2			
			91301-473-003	O-RING, 7X1.7						2
		11	92000-06028	BOLT, HEX., 6X28	1	1	1	1		
		12	92000-06035	BOLT, HEX., 6X35	1	1	1	1		
		13	93500-05008-1H	SCREW, PAN, 5X8	1	1	1	1		
		14	93500-05012-1A	SCREW, PAN, 5X12	1	1	1	1		

D 7

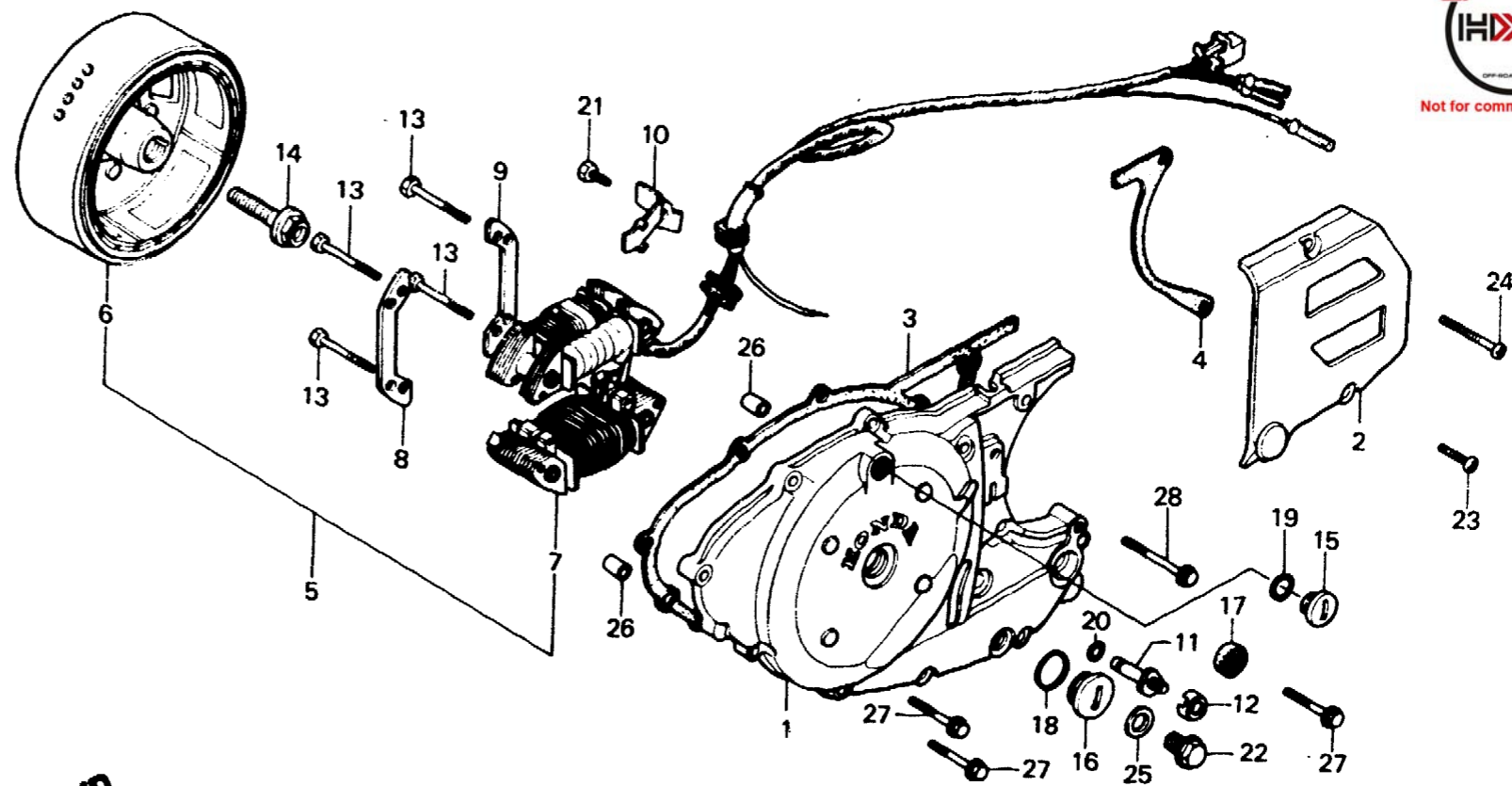
E-9

**Left crankcase cover • Generator
(XL500Sz•SA•SB)**

**Couvercle de carter moteur
gauche • Générateur
(XL500Sz•SA•SB)**

**Linker Kurbelgehäusedeckel •
Lichtmaschine (XL500Sz•SA•SB)**

**Cubierta de cárter de motor
izquierdo • Generador (XL500Sz•SA•SB)**



B435-2

Service item	F.R.T.	Ref. No.	Part No.	Description	Reqd. No.				Serial No.	Area code
					Sz	SA	SB	Rc		
COVER COMP., L. CRANKCASE	0.5	1	11341-428-000	COVER COMP., L. CRANKCASE	1	1	1			
FLYWHEEL COMP.		2	11351-428-300	COVER, L. RR. CRANKCASE	1	1	1			
OIL SEAL, 12X25X7		3	11395-429-000	GASKET, L. COVER	1	1	1			
COVER, L. RR. CRANKCASE	0.1	4	11396-428-300	GASKET, L. RR. COVER	1	1	1			
CONTACT, NEUTRAL SWITCH		5	31100-435-004	GENERATOR ASSY., A.C. (ND)	1	1			B,E,ED,F,SA,1G,2G	
GASKET, L. COVER	0.4		31100-435-630	GENERATOR ASSY., A.C. (ND)	1	1	1		CM,DK,DM,U	
GENERATOR ASSY., A.C.	0.8		31100-435-641	GENERATOR ASSY., A.C.			1		SD	
STATOR COMP.	0.6								B,E,ED,F,SA,1G,2G	
		6	31110-435-004	FLYWHEEL COMP. (ND)	1	1			B,E,ED,F,SA,2G	
					1	1	1		CM,DK,DM,U,1G	
			31110-435-630	FLYWHEEL COMP. (ND)			1		SD	
			31110-435-641	FLYWHEEL COMP.			1		B,E,ED,F,SA,1G,2G	
		7	31120-435-004	STATOR COMP. (ND)	1	1			B,E,ED,F,1G,2G	
					1	1	1		CM,DK,DM,SA,U	
			31120-435-630	STATOR COMP. (ND)			1		SD	
			31120-435-641	STATOR COMP.			1		B,E,ED,F,SA,1G,2G	
		8	31125-428-000	PLATE A, COIL SETTING	1	1	1			
		9	31126-428-000	PLATE B, COIL SETTING	1	1	1			

D 8

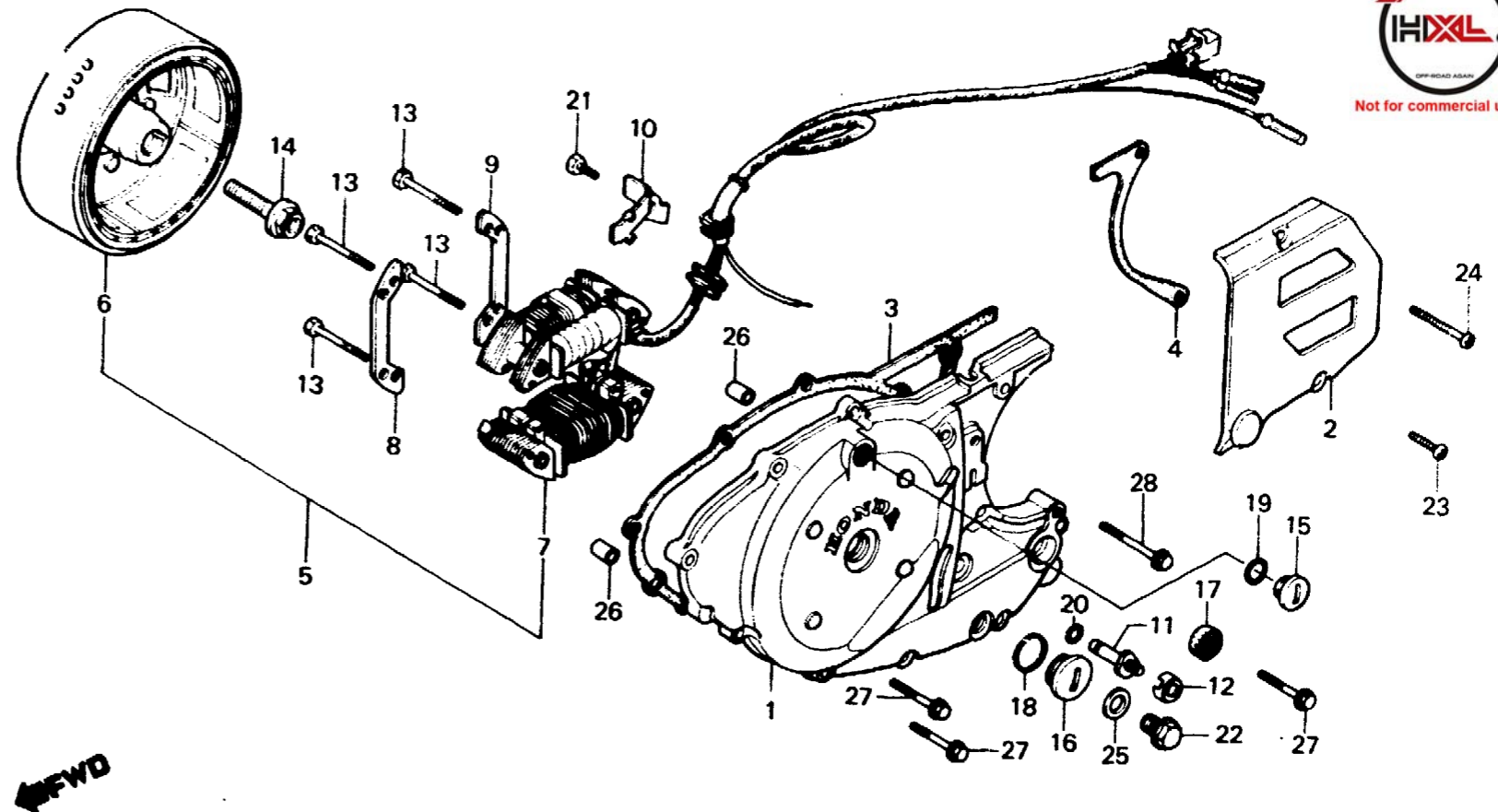
E-9

**Left crankcase cover • Generator
(XL500Sz•SA•SB)**

**Couvercle de carter moteur
gauche • Générateur
(XL500Sz•SA•SB)**

**Linker Kurbelgehäusedeckel •
Lichtmaschine (XL500Sz•SA•SB)**

**Cubierta de cárter de motor
izquierdo • Generador (XL500Sz•SA•SB)**



B435-2

Service item	F.R.T.	Ref. No.	Part No.	Description	Reqd. No.			Serial No.	Area code
					Sz	XL500 SA SA	Rc		
		10	32111-428-000	CLAMPER, CORD	1	1	1		
		11	35750-028-000	CONTACT, NEUTRAL SWITCH	1	1	1		
		12	35752-329-300	SPACER, NEUTRAL SWITCH	1	1	1		
		13	90012-634-670	BOLT, HEX., 6X42	4	4	4		
		14	90023-428-000	BOLT, FLANGE, 12X40	1	1	1		
		15	90084-428-000	CAP, A.C. GENERATOR	1	1	1		
		16	90087-428-000	CAP, 30MM	1	1	1		
		17	91201-362-000	OIL SEAL, 12X25X7	1	1	1		
		18	91301-028-000	O-RING, 27X2.0	1	1	1		
		19	91303-377-000	O-RING, 13.8X2.5	1	1	1		
		20	91312-107-000	O-RING, 7X1.7	1	1	1		
		21	92000-06012	BOLT, HEX., 6X12	1	1	1		
		22	92800-12000	BOLT, DRAIN PLUG, 12MM	1	1	1		
		23	93500-06018	SCREW, PAN, 6X18	1	1	1		
		24	93500-06040	SCREW, PAN, 6X40	1	1	1		

D 9

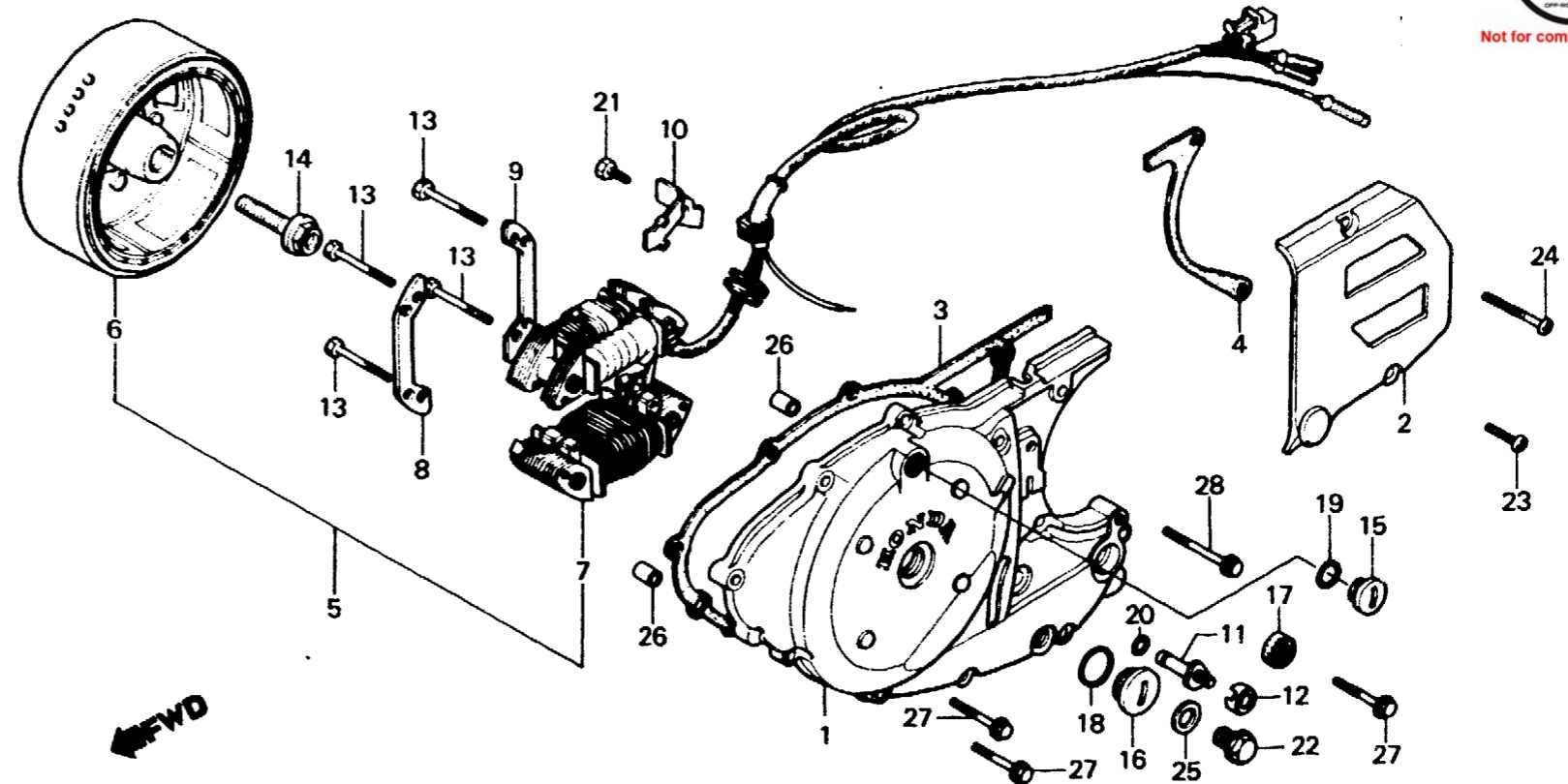
E-9

**Left crankcase cover • Generator
(XL500Sz • SA • SB)**

**Couvercle de carter moteur
gauche • Générateur
(XL500Sz • SA • SB)**

**Linker Kurbelgehäusedeckel •
Lichtmaschine (XL500Sz • SA • SB)**

**Cubierta de cárter de motor
izquierdo • Generador (XL500Sz • SA • SB)**



B435-2

Service item	F.R.T.	Ref. No.	Part No.	Description	Reqd. No.				Serial No.	Area code
					Sz	XL500 SA	SA	Rc		
		25	94109-12000	WASHER, DRAIN PLUG, 12MM	1	1	1			
		26	94301-10160	PIN A, DOWEL, 10X16	2	2	2			
		27	96000-06025-00	BOLT, FLANGE, 6X25	9	9	9			
		28	96000-06040-00	BOLT, FLANGE, 6X40	1	1	1			

D 10

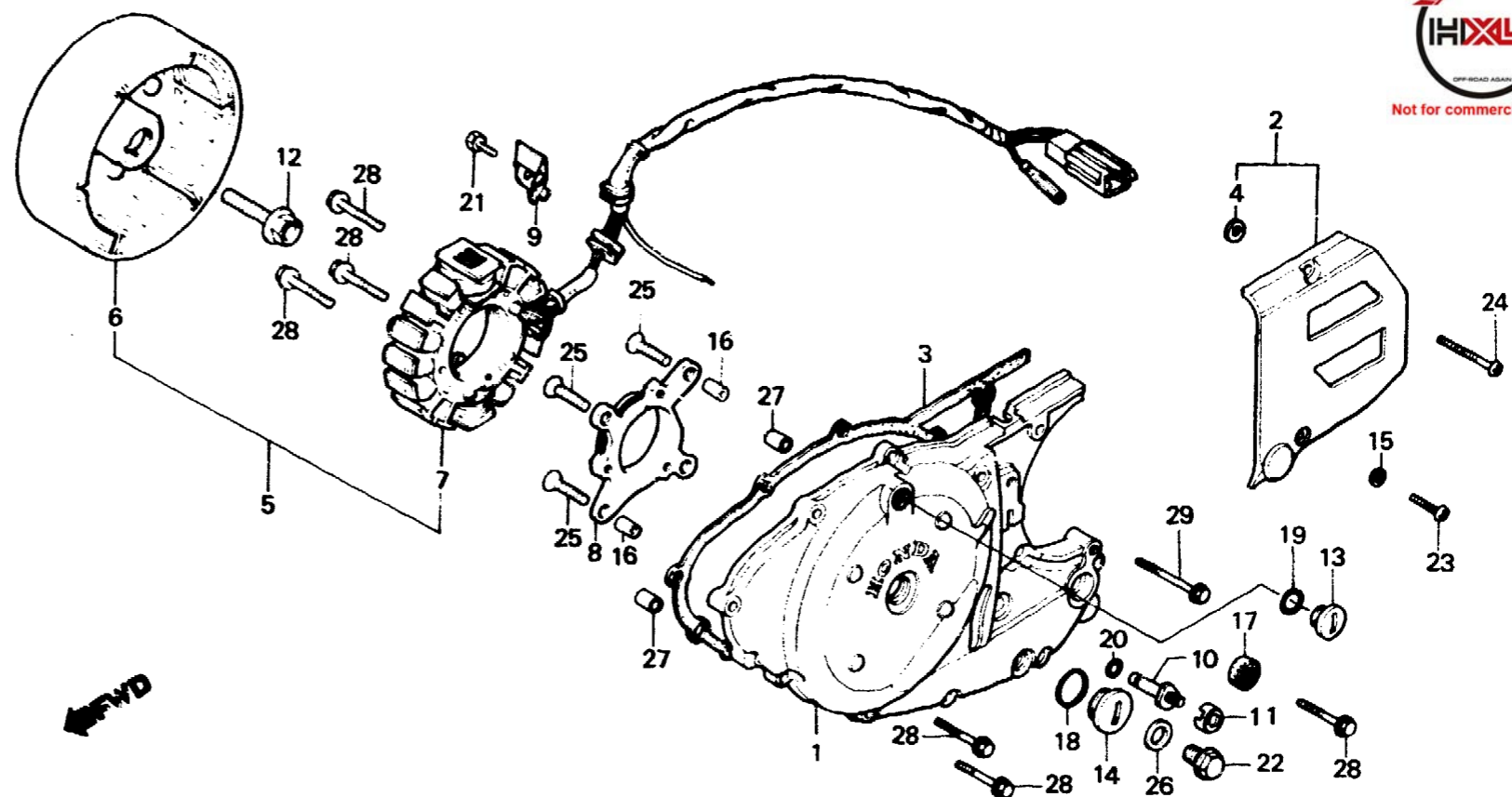
E-9-1

**Left crankcase cover • Generator
(XL500Rc)**

**Couvercle de carter moteur
gauche • Générateur (XL500Rc)**

**Linker Kurbelgehäusedeckel •
Lichtmaschine (XL500Rc)**

**Cubierta de cárter de motor
izquierdo • Generador (XL500Rc)**



BMC4-1

Service item	F.R.T.	Ref. No.	Part No.	Description	Reqd. No.				Serial No.	Area code
					Sz	SA	SA	Rc		
COVER, L. CRANKCASE	0.5	1	11341-MC4-000	COVER, L. CRANKCASE					1	
• FLYWHEEL COMP.		2	11350-MC4-000	COVER COMP., L. RR. CRANKCASE					1	
• SPACER, STATOR		3	11395-MA0-000	GASKET, L. COVER					1	
• OIL SEAL, 12X25X7										
COVER COMP., L. RR. CRANKCASE	0.1	4	11396-MC4-300	GASKET, L. RR. COVER					2	
• CONTACT, NEUTRAL SWITCH		5	31100-MC4-004	GENERATOR ASSY., FLYWHEEL TYPE A.C. (ND)					1	
GASKET, L. COVER	0.4									
GENERATOR ASSY., FLYWHEEL TYPE A.C.	0.8	6	31110-MC4-004	FLYWHEEL COMP. (ND)					1	
STATOR COMP.	0.6	7	31120-MC4-004	STATOR COMP. (ND)					1	
		8	31125-471-700	SPACER, STATOR					1	
		9	32111-428-000	CLAMPER, CORD					1	
		10	35750-028-000	CONTACT, NEUTRAL SWITCH					1	
		11	35752-329-300	SPACER, NEUTRAL SWITCH					1	
		12	90023-471-000	BOLT, FLANGE, 12X50					1	
		13	90084-471-000	CAP, A.C. GENERATOR					1	
		14	90087-471-000	CAP, 30MM					1	

D 11



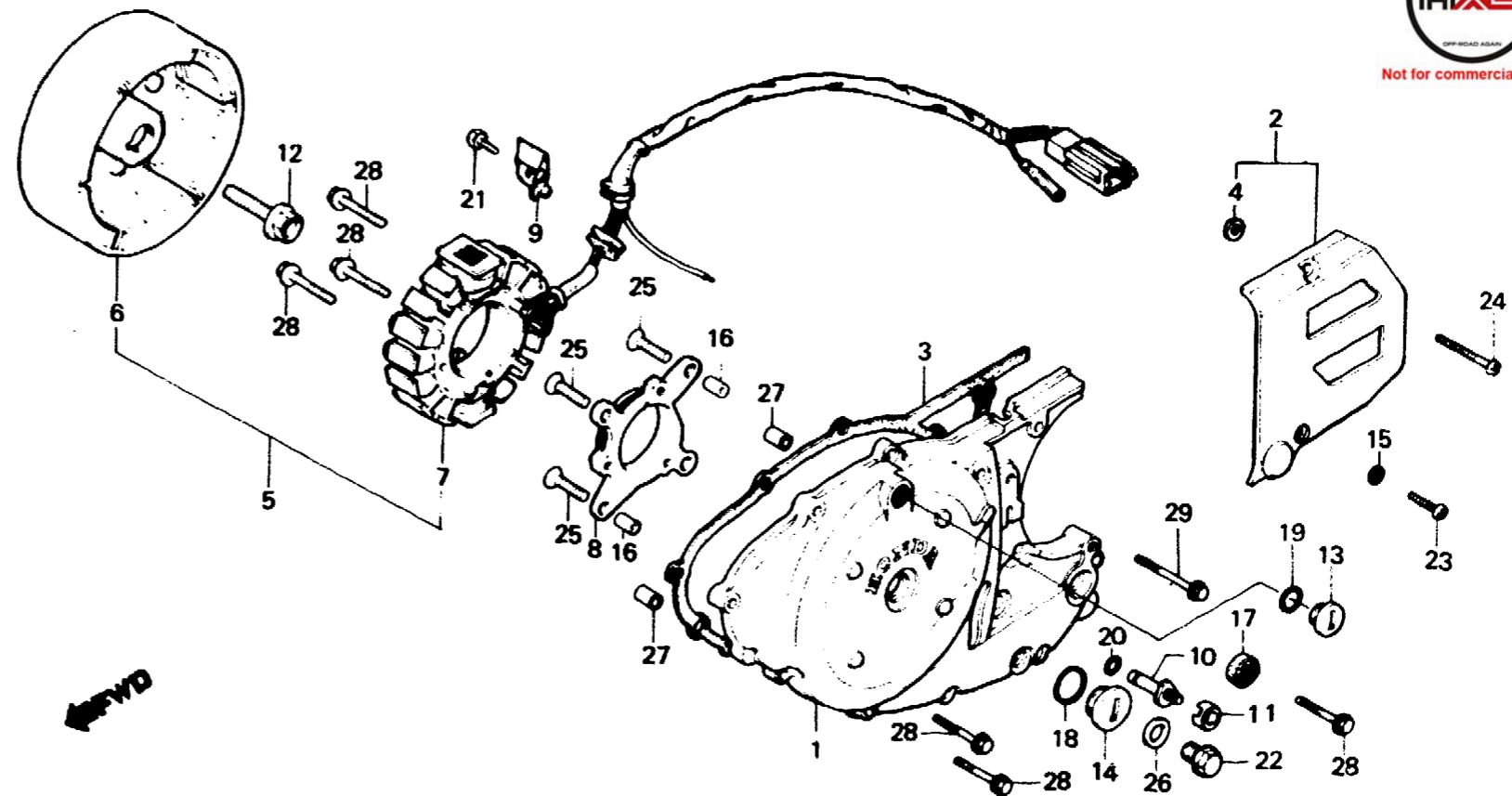
E-9-1

**Left crankcase cover • Generator
(XL500Rc)**

**Couvercle de carter moteur
gauche • Générateur (XL500Rc)**

**Linker Kurbelgehäusedeckel •
Lichtmaschine (XL500Rc)**

**Cubierta de cárter de motor
izquierdo • Generador (XL500Rc)**



BMC4-1

Service item	F.R.T.	Ref. No.	Part No.	Description	Reqd. No.				Serial No.	Area code
					Sz	SA	SA	Rc		
		15	90441-706-000	WASHER, SEALING, 6MM				1		
		16	90701-471-000	PIN, DOWEL, 8X5				2		
		17	91201-362-000	OIL SEAL, 12X25X7				1		
		18	91301-028-000	O-RING, 27X2.0				1		
		19	91303-377-000	O-RING, 13.8X2.5				1		
		20	91312-107-000	O-RING, 7X1.7				1		
		21	92000-06012	BOLT, HEX., 6X12				1		
		22	92800-12000	BOLT, DRAIN PLUG, 12MM				1		
		23	93500-06018	SCREW, PAN, 6X18				1		
		24	93500-06040	SCREW, PAN, 6X40				1		
		25	93600-06020	SCREW, FLAT, 6X20				4		
		26	94109-12000	WASHER, DRAIN PLUG, 12MM				1		
		27	94301-10160	PIN A, DOWEL, 10X16				2		
		28	96000-06025-00	BOLT, FLANGE, 6X25				12		
		29	96000-06032-00	BOLT, FLANGE, 6X32				1		

D 12

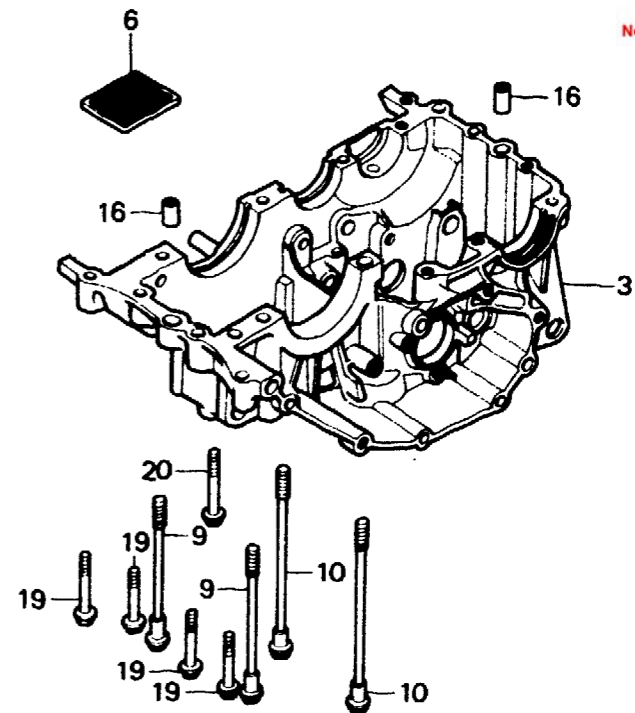
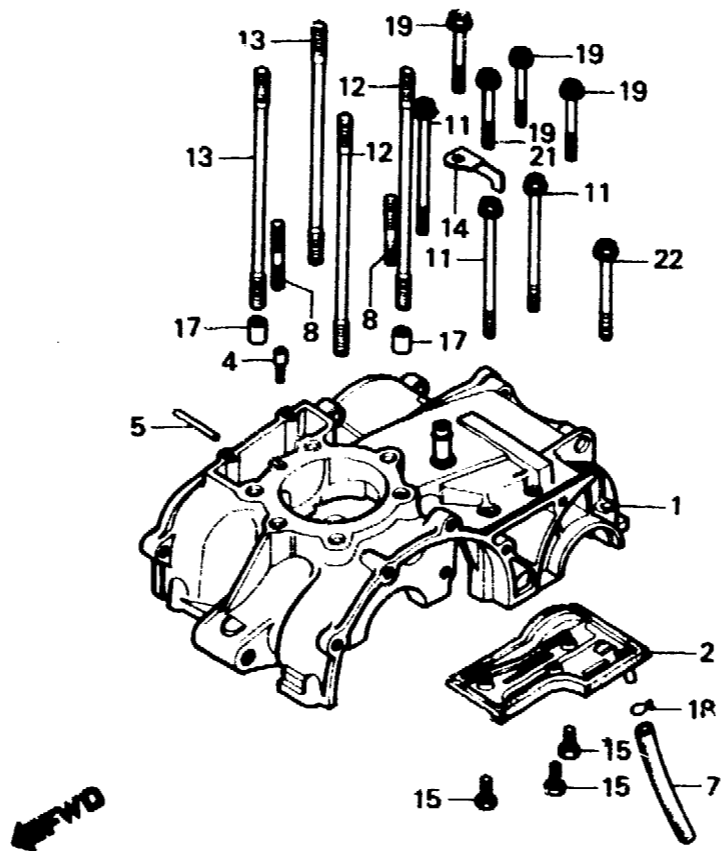
E-10

Crankcase

Carter moteur

Kurbelgehäuse

Cárter de motor



B429-10

Service item	F.R.T.	Ref. No.	Part No.	Description	Reqd. No.				Serial No.	Area code
					Sz	XL500 SA	Sa	Rc		
CRANKCASE COMP., UPPER	*5.0	1	11100-429-000	CRANKCASE COMP., UPPER	1	1	1			
PLATE COMP., BREATHER	*3.4	2	11100-MA0-000	CRANKCASE COMP., UPPER					1	
CRANKCASE COMP., LOWER	*3.9	3	11110-429-000	PLATE COMP., BREATHER	1	1	1		1	
SCREEN, OIL FILTER	0.6	3	11200-429-000	CRANKCASE COMP., LOWER	1	1	1			
BOLT, STUD, 8X49	*3.5		11200-MA0-010	CRANKCASE COMP., LOWER					1	
BOLT, STUD, 8X193 (ADD 0.1 FOR EACH.)	*3.3	4	11333-376-000	DRIFICE, OIL	1	1	1		1	
BOLT, STUD, 8X207 (ADD 0.1 FOR EACH.)		5	11335-428-000	PIPE, OIL PASS	1	1	1		1	
		6	15421-428-000	SCREEN, OIL FILTER	1	1	1		1	
		7	15713-429-000	TUBE, OIL RETURN	1	1	1		1	
		8	90003-428-000	BOLT, STUD, 8X49	2	2	2		2	
		9	90007-429-000	BOLT, FLANGE, 9X150	2	2	2		2	
		10	90010-371-003	BOLT, FLANGE, 10X166 (TOKA1)	2	2	2		2	
		11	90051-393-000	BOLT, FLANGE, 6X75	3	3	3		3	
		12	90081-429-000	BOLT, STUD, 8X193	2	2	2		2	
		13	90083-429-000	BOLT, STUD, 8X207	2	2	2		2	
		14	90511-429-000	CLAMPER, TUBE	1	1	1		1	
		15	92000-06012	BOLT, HEX., 6X12	3	3	3		3	

1981.12.20

E

D12

D 13

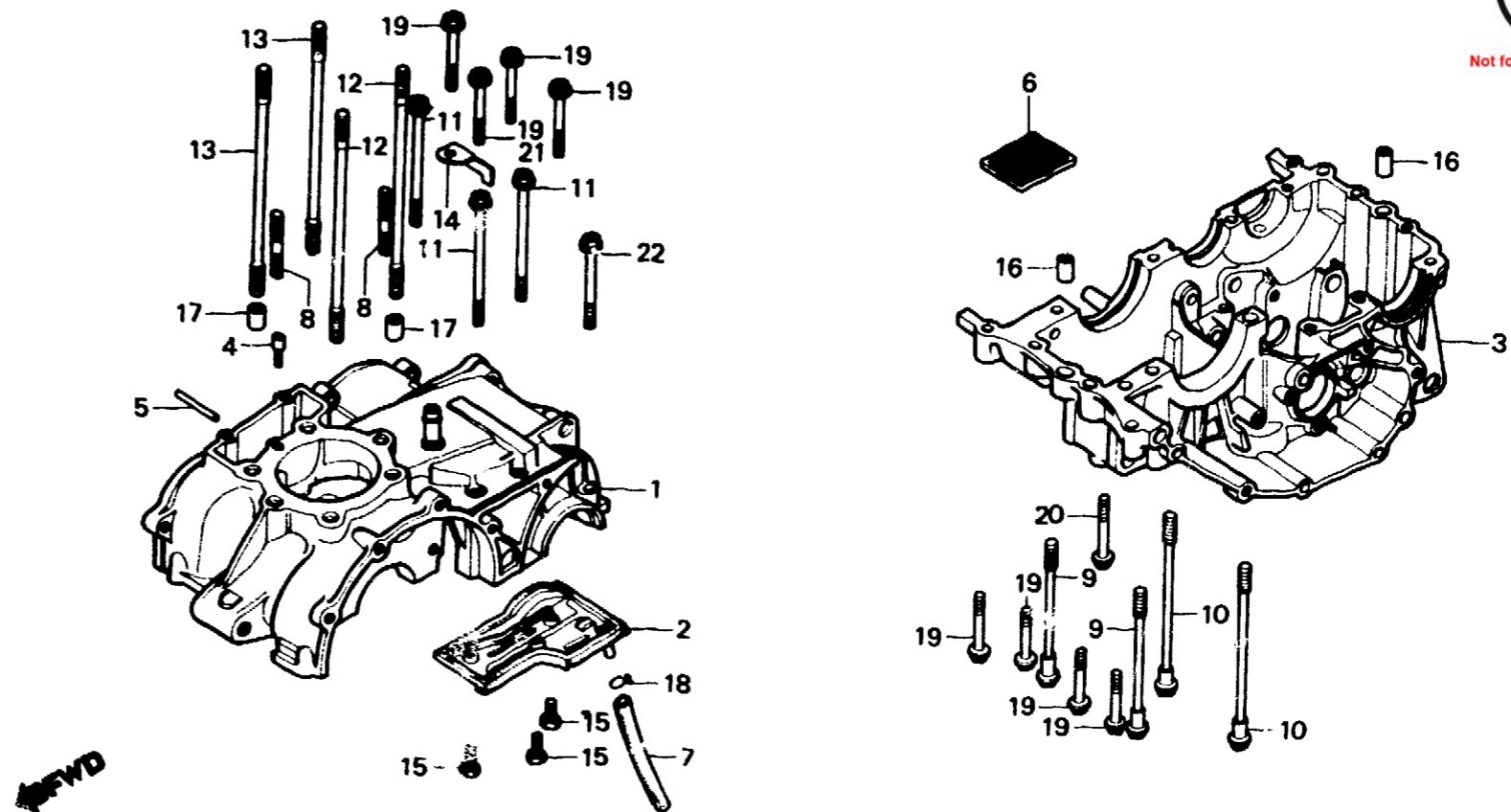
E-10

Crankcase

Carter moteur

Kurbelgehäuse

Cárter de motor



B429-10

Service item	F.R.T.	Ref. No.	Part No.	Description	Reqd. No.				Serial No.	Area code
					Sz	XL500 SA	Sa	Rc		
		16	94301-10160	PIN A, DOWEL, 10X16	2	2	2	2		
		17	94301-12200	PIN A, DOWEL, 12X20	2	2	2	2		
		18	95002-70000	CLIP C11, TUBE	1	1	1	1		
		19	95700-06032-00	BOLT, FLANGE, 6X32	8	8	8	8		
		20	95700-06040-00	BOLT, FLANGE, 6X40	1	1	1	1		
		21	95700-06055-00	BOLT, FLANGE, 6X55				1		
		22	95700-08045-00	BOLT, FLANGE, 8X45	1	1	1	1		

1981.12.20

E

D13

D 14

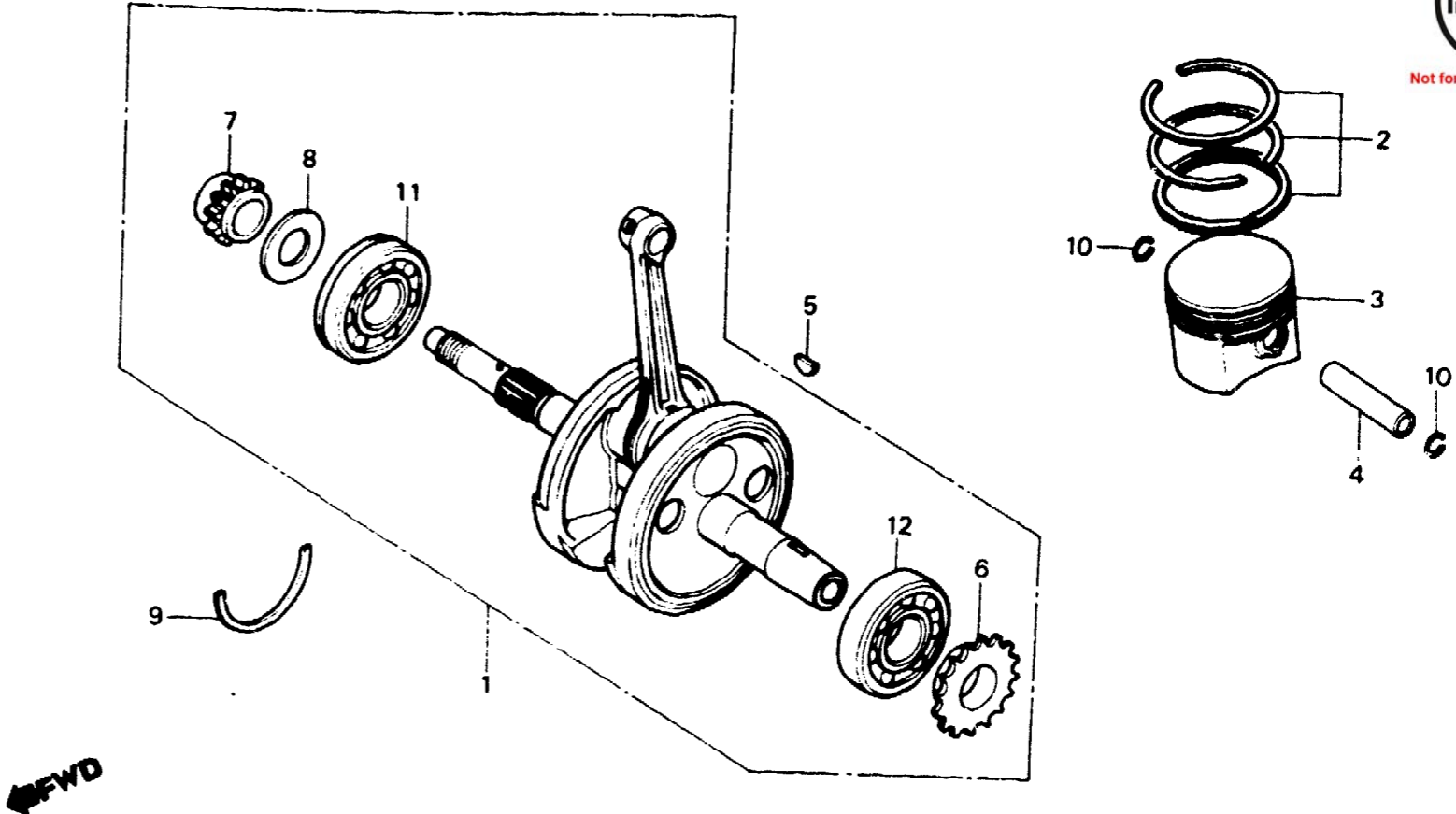
E-11

Piston • Crankshaft

Piston • Vilebrequin

Kolben • Kurbelwelle

Pistón • Cigüeñal



B429-11

Service item	F.R.T.	Ref. No.	Part No.	Description	Reqd. No.				Serial No.	Area code
					Sz	XL500	SA	SA		
CRANKSHAFT COMP.	*4.3	1	13000-429-000	CRANKSHAFT COMP.	1	1	1			
RING SET, PISTON	*3.5		13000-MC4-000	CRANKSHAFT COMP.					1	
PISTON		2	13011-429-003	RING SET, PISTON (STD. NIPPON)	1	1	1	1		
PIN, PISTON	*3.4		13011-429-005	RING SET, PISTON (STD.)	1	1	1	1		
SPROCKET, BALANCER DRIVE	1.4			(TEIKOKU)						
SPROCKET, TIMING	*3.8		13021-429-003	RING SET, PISTON (0.25 NIPPON)	(1)	(1)	(1)	(1)		
BEARING, RADIAL BALL, 6307 C3	*4.5		13021-429-005	RING SET, PISTON (0.25)	(1)	(1)	(1)	(1)		
(ADD 0.2 FOR EACH.)				(TEIKOKU)						
			13031-429-003	RING SET, PISTON (0.50 NIPPON)	(1)	(1)	(1)	(1)		
			13031-429-005	RING SET, PISTON (0.50)	(1)	(1)	(1)	(1)		
				(TEIKOKU)						
		3	13101-429-003	PISTON (STD. ART)	1	1				
			13101-MA0-000	PISTON (STD.)			1	1		
									CM	
									B,DK,DM,E,ED,F,IT,SA,SD	
									U,1G,2G	
									CM	
			13102-429-000	PISTON (0.25)	(1)	(1)	(1)			
			13102-434-003	PISTON (0.25)				(1)		

D 15

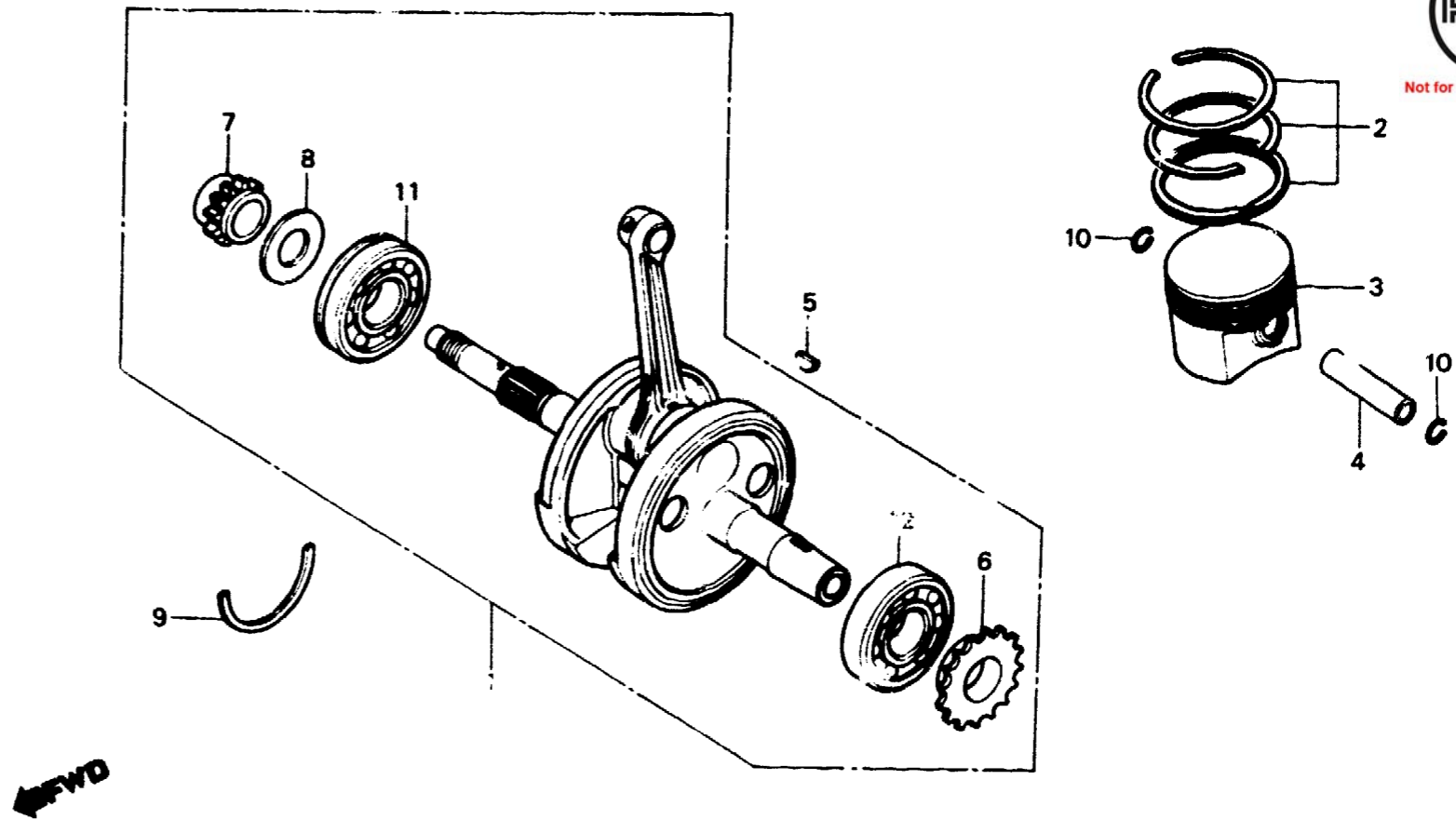
E-11

Piston • Crankshaft

Piston • Vilebrequin

Kolben • Kurbelwelle

Pistón • Cigüeñal



B429-11

Service item	F.R.T.	Ref. No.	Part No.	Description	Reqd. No.				Serial No.	Area code
					Sz	SA	Se	Rc		
			13103-429-000	PISTON (0.50)	(1)	(1)	(1)			
			13103-434-003	PISTON (0.50)				(1)		
		4	13111-429-000	PIN, PISTON	1	1	1	1		
		5	13331-357-000	KEY, SPECIAL WOODRUFF, 25X18	1	1	1	1		
		6	13621-429-300	SPROCKET, BALANCER DRIVE	1	1	1	1		
		7	14312-428-300	SPROCKET, TIMING (19T)	1	1	1	1		
		8	90455-428-000	WASHER, 23MM	1	1	1	1		
		9	90601-429-000	SET RING, 80MM	1	1	1	1		
		10	90602-429-000	CLIP, PISTON PIN	2	2	2	2		
		11	91001-429-003	BEARING, RADIAL BALL, 6307 C3 (NACHI)	1	1	1	1		
			91001-429-004	BEARING, RADIAL BALL, 6307 C3 (KOYO)	1	1	1	1		
		12	91002-429-003	BEARING, RADIAL BALL, 6307 C3 (NACHI)	1	1	1	1		

1981.12.20

E

D15

D 16

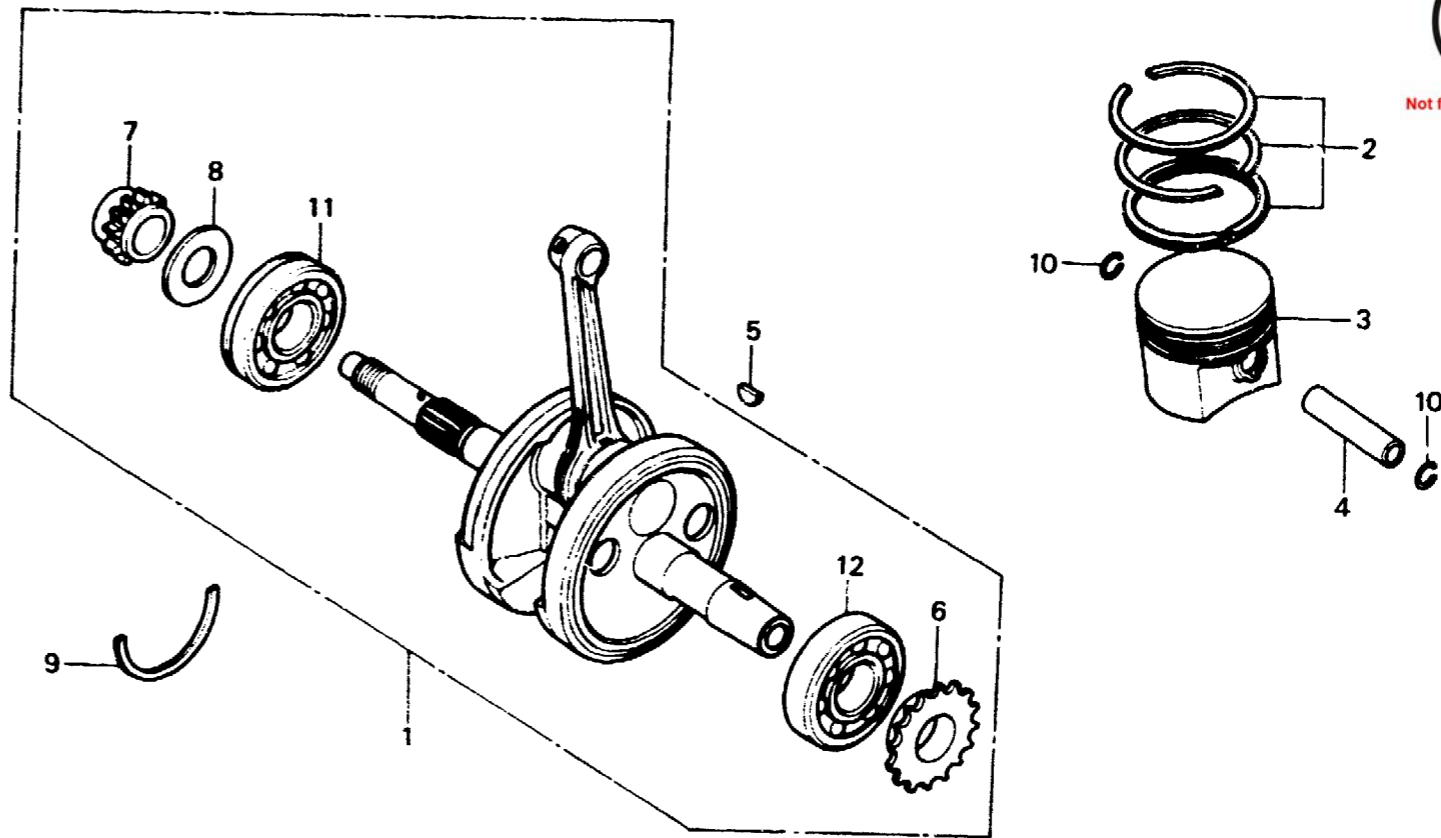
E-11

Piston • Crankshaft

Piston • Vilebrequin

Kolben • Kurbelwelle

Pistón • Cigüeñal



Not for commercial use

B429-11

Service item	F.R.T.	Ref. No.	Part No.	Description	Reqd. No.				Serial No.	Area code
					Sz	SA	Se	Rc		
			91002-429-004	BEARING, RADIAL BALL, 6307 C3 (KOYO)	1	1	1	1		

1981.12.20

E

D16