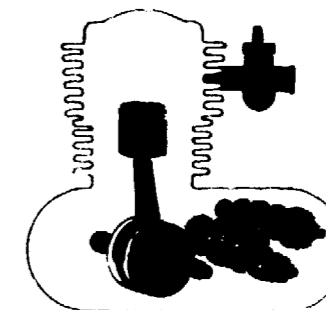
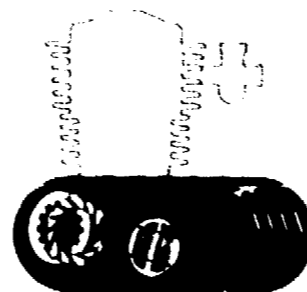


# BLOCK INDEX - ENGINE GROUP



E-1	Cylinder head cover - Decompression cable .....	C 2
E-2	Cylinder head .....	C 6
E-3	Camshaft - Valve .....	C 9
E-4	Cam chain - Tensioner .....	C11
E-5	Cylinder .....	C13

E-6	Right crankcase cover .....	C14
E-7	Clutch - Advancer .....	D 1
E-8	Oil pump .....	D 5
E-9	Left crankcase cover - Generator .....	D 7
E-10	Crankcase .....	D12

E-11	Piston - Crankshaft .....	D14
E-12	Front balancer .....	E 1
E-13	Rear balancer - Transmission .....	E 3
E-14	Kick starter spindle .....	E 7
E-15	Shift drum - Shift fork .....	E10
E-16	Carburetor .....	E13

**C 2**



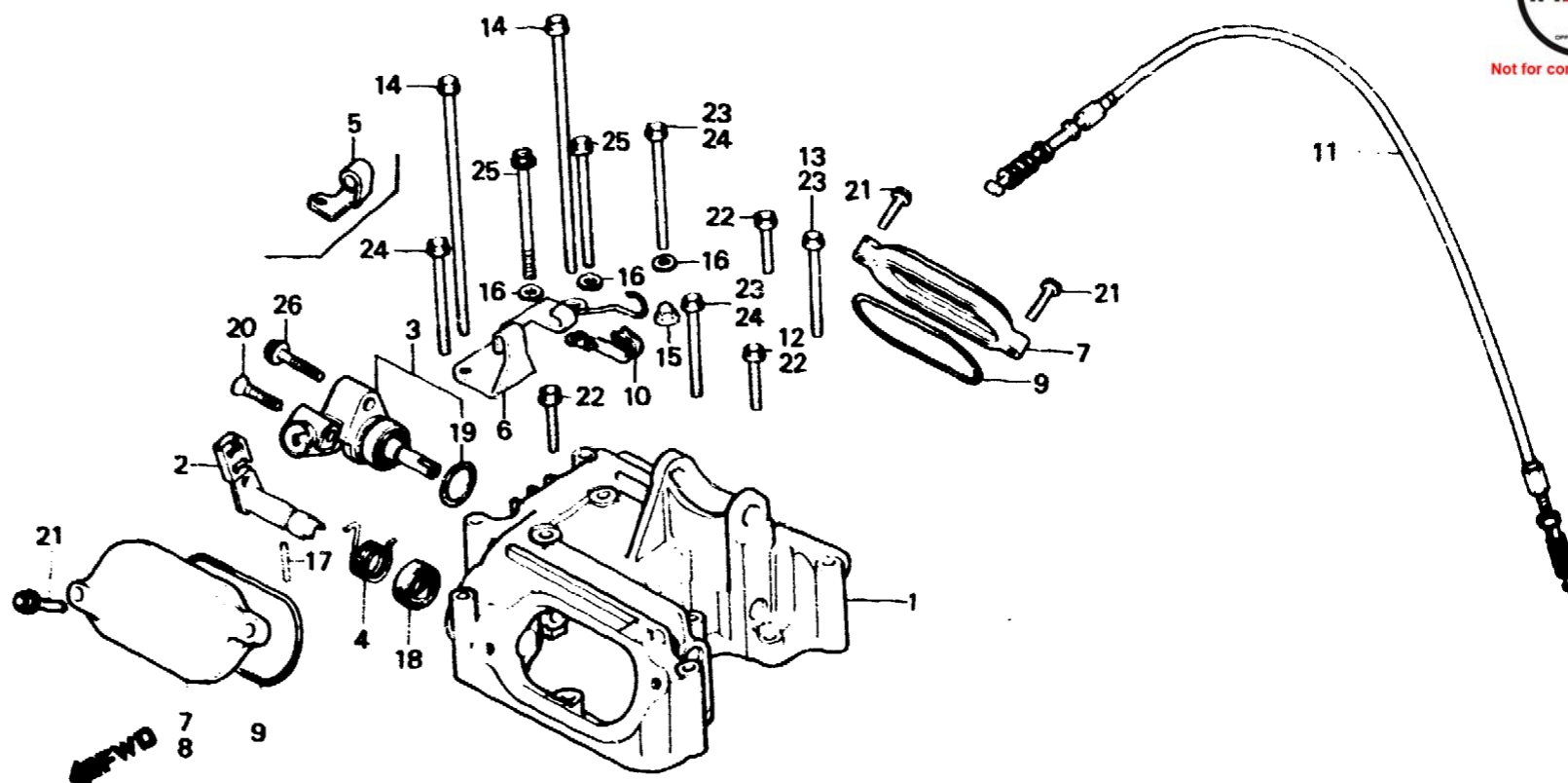
**E-1**

**Cylinder head cover ·  
Decompression cable**

**Couvercle de culasse ·  
Câble décompression**

**Zylinderkopfdeckel ·  
Dekompressionskable**

**Cubierta de culata ·  
Cable de descompresión**



B-435-57B

Service item	F.R.T.	Ref. No.	Part No.	Description	Reqd. No.				Serial No.	Area code
					Sz	XL500 SA	SA	Rc		
COVER, CYLINDER HEAD	*2.9	1	12310-428-305	COVER, CYLINDER HEAD	1					
LIFTER COMP., VALVE	*2.6		12310-428-020	COVER, CYLINDER HEAD		1				B,DK,DM,E,ED,F,SA,SD,U 1G,2G
CASE ASSY., TACHOMETER GEAR	0.1		12310-428-305	COVER, CYLINDER HEAD		1				CM
COVER, TAPPET ADJUSTING HOLE (CARBURETOR SIDE 0. 2)			12310-428-325	COVER, CYLINDER HEAD			1			CM
CABLE COMP., DECOMPRESSION	0.2		12310-428-680	COVER, CYLINDER HEAD			1			B,DK,DM,E,ED,F,SA,SD,U 1G,2G
OIL SEAL, 17X27X5	*2.7		12310-KA6-70	COVER, CYLINDER HEAD				1		CM
			12310-471-640	COVER, CYLINDER HEAD				1		B,DK,DM,E,ED,F,IT,SA,SD U,1G,2G
		2	12319-428-000	LIFTER COMP., VALVE	1	1				CM B,DK,DM,E,ED,F,SA,SD,U 1G,2G
			12319-435-730	LIFTER COMP., VALVE			1	1		CM B,DK,DM,E,ED,F,IT,SA,SD U,1G,2G
		3	12320-428-680	CASE ASSY., TACHOMETER GEAR				1		B,DK,DM,E,ED,F,SA,SD,U 1G,2G
			12320-KB7-000	CASE ASSY., TACHOMETER GEAR				1		B,DK,DM,E,ED,F,IT,SA,SD U,1G,2G



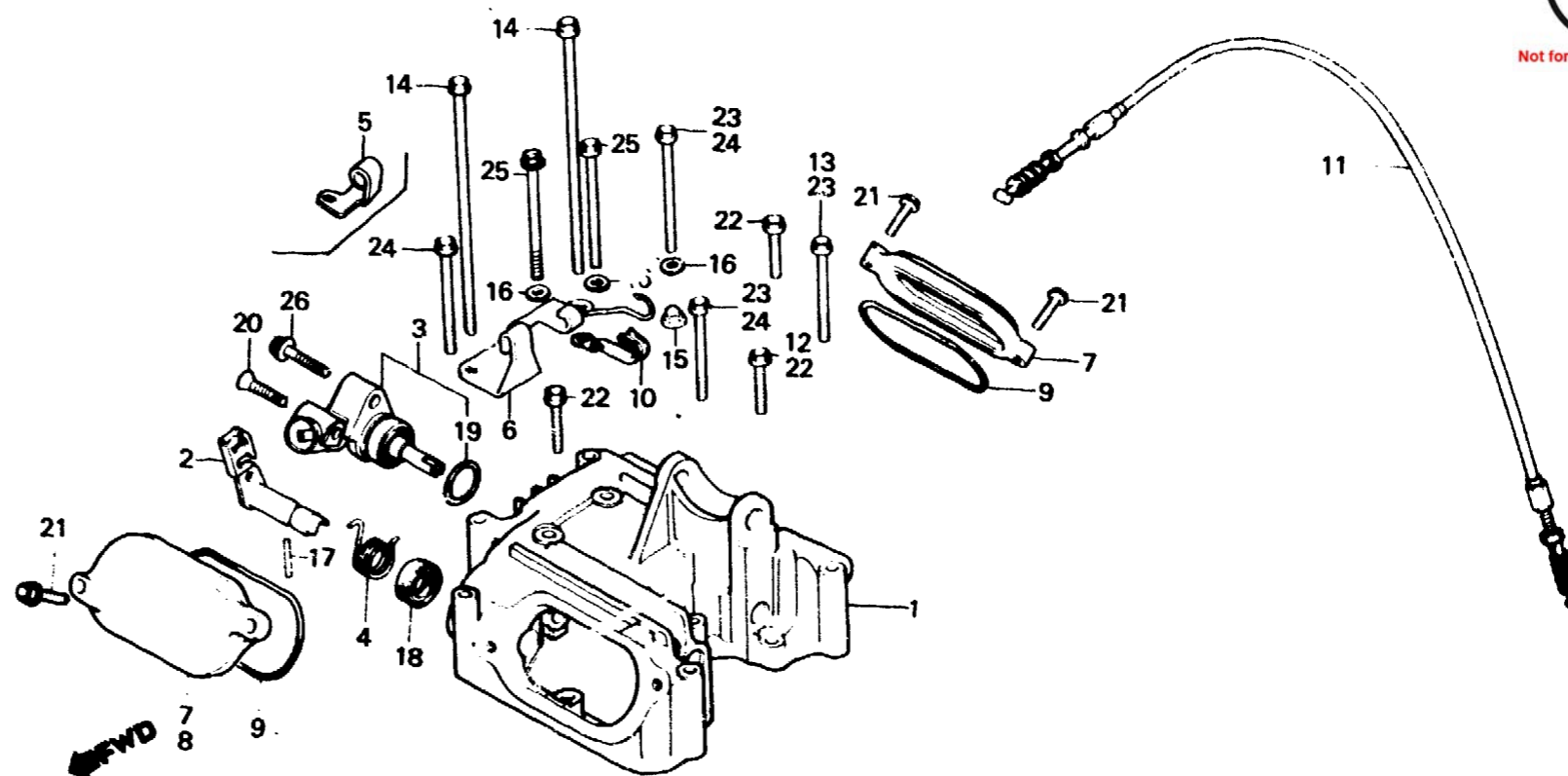
**E-1**

**Cylinder head cover •  
Decompression cable**

**Couvercle de culasse •  
Câble décompression**

**Zylinderkopfdeckel •  
Dekompressionskable**

**Cubierta de culata •  
Cable de descompresión**



B-435-57B

Service item	F.R.T.	Ref. No.	Part No.	Description	Id. No.				Serial No.	Area code
					Sz	XL500 SA	Sa	Rc		
		4	12321-428-000	SPRING, VALVE LIFT	1	1			CM	
			12321-435-730	SPRING, VALVE LIFT			1	1	B,DK,DM,E,ED,F,SA,SD,U 1G,2G	
		5	12323-428-000	RECEIVER, DECOMPRESSION	1	1			CM	
					1	1	1		B,DK,DM,E,ED,F,SA,SD,U 1G,2G	
		6	12323-435-730	RECEIVER COMP., DECOMPRESSION			1	1	CM	
									B,DK,DM,E,ED,F,IT,SA,SD U,1G,2G	
		7	12351-428-000	COVER, TAPPET ADJUSTING HOLE	2	2	2	1		
		8	12351-471-000	COVER, TAPPET ADJUSTING HOLE				1		
		9	12392-428-000	PACKING, TAPPET COVER	2	2	2	2		



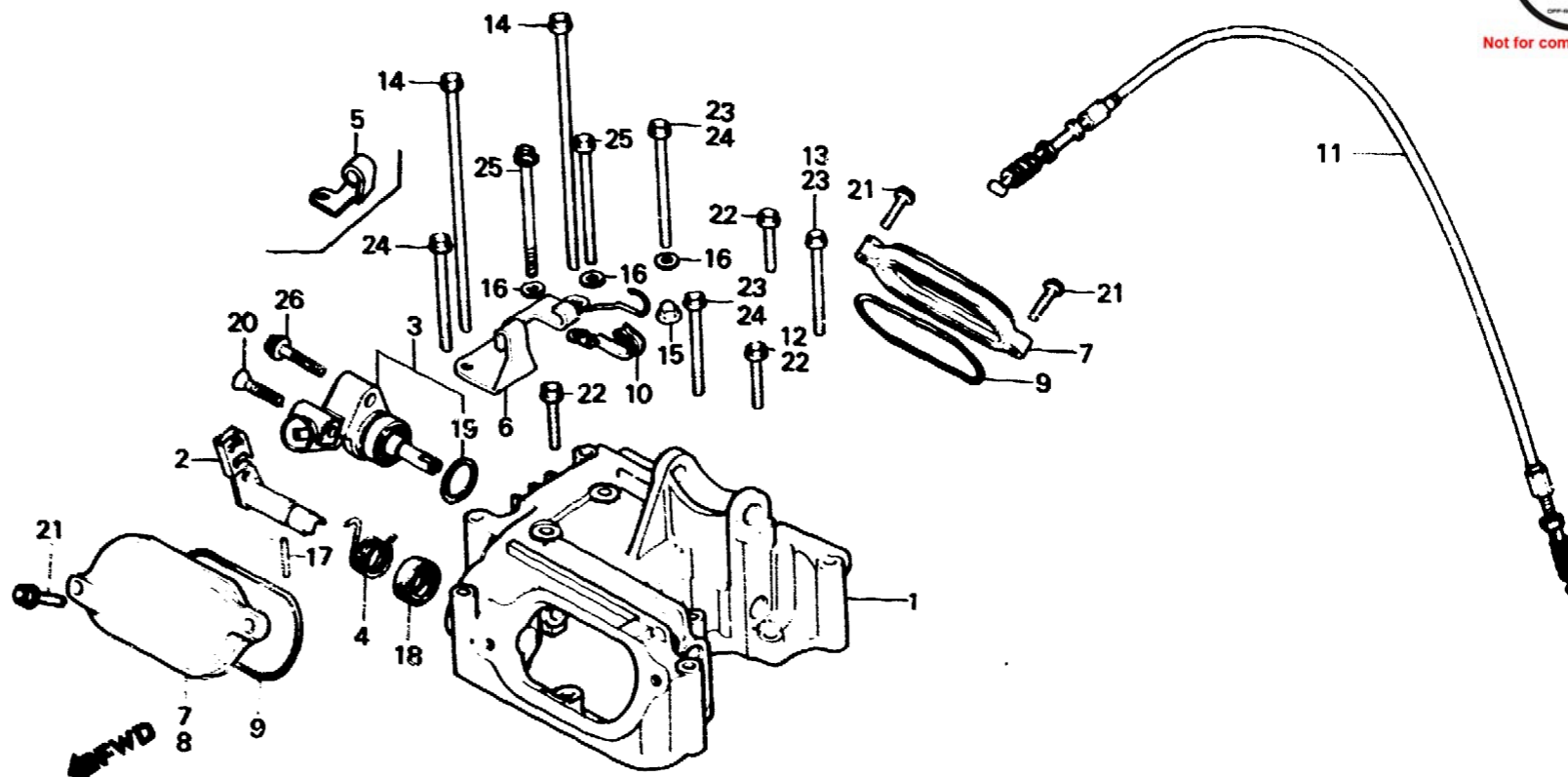
**E-1**

**Cylinder head cover •  
Decompression cable**

**Couvercle de culasse •  
Câble décompression**

**Zylinderkopfdeckel •  
Dekompressionskable**

**Cubierta de culata •  
Cable de descompresión**



B-435-57B

Service item	F.R.T.	Ref. No.	Part No.	Description	Reqd. No.				Serial No.	Area code
					Sz	XL500 Sa	Se	Rc		
		10	22825-429-000	CLAMPER, CLUTCH WIRE	1	1				CM B,DK,DM,E,ED,F,SA,SD,U 1G,2G
		11	28291-429-000	CABLE COMP., DECOMPRESSION	1	1	1			CM B,DK,DM,E,ED,F,SA,SD,U 1G,2G
			28291-435-730	CABLE COMP., DECOMPRESSION			1	1		CM B,DK,DM,E,ED,F,IT,SA,SD U,1G,2G
		12	90025-KA6-670	BOLT, FLANGE, 7X30				1		
		13	90026-KA6-670	BOLT, FLANGE, 7X50				1		
		14	90048-429-000	BOLT, FLANGE, 6X140	2	2	2	2		
		15	90201-415-000	NUT, CAP, 6MM	1	1	1			
		16	90441-706-000	WASHER, SEALING, 6MM				3		
		17	91101-428-000	PIN, DDWEL, 5X28	1	1	1	1		
		18	91201-428-005	OIL SEAL, 17X27X5	1	1	1	1		
		19	91333-422-003	O-RING, 17.8X2.4			1	1		B,DK,DM,E,ED,F,IT,SA,SD U,1G,2G



Not for commercial use

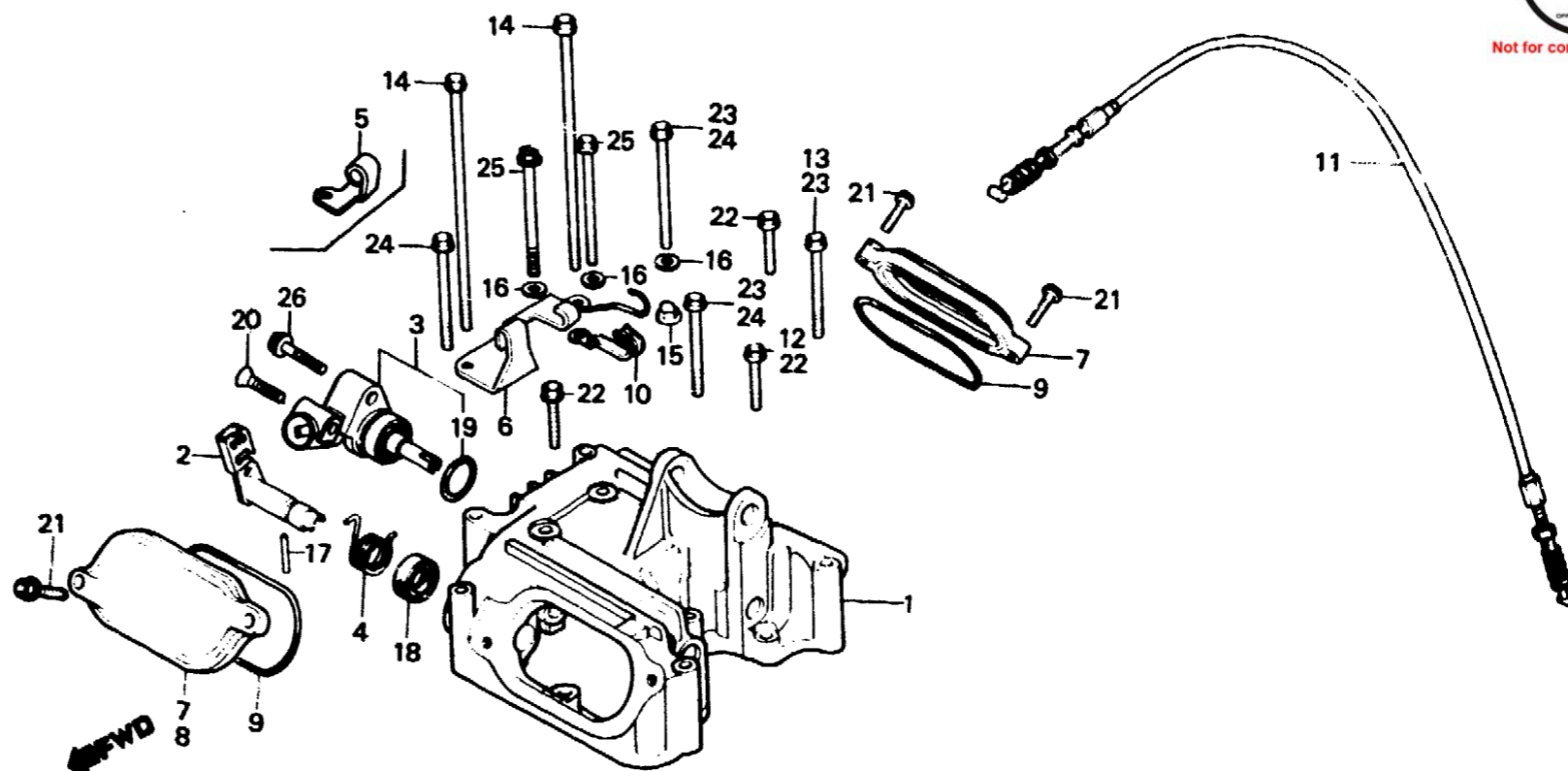
**E-1**

**Cylinder head cover •  
Decompression cable**

**Couvercle de culasse •  
Câble décompression**

**Zylinderkopfdeckel •  
Dekompressionskable**

**Cubierta de culata •  
Cable de descompresión**



B-435-57B

Service item	F.R.T.	Ref. No.	Part No.	Description	Reqd. No.				Serial No.	Area code
					Sz	SA	Ss	Rc		
		20	93700-06022	SCREW, OVAL, 6X22			1	1		B,DK,DM,E,ED,F,IT,SA,SD U,1G,2G
		21	95700-06020-00	BOLT, FLANGE, 6X20	4	4	4	4		
		22	95700-06025-00	BOLT, FLANGE, 6X25	3	3	3	3		
		23	95700-06045-00	BOLT, FLANGE, 6X45	3	3	3	1		
		24	95700-06050-00	BOLT, FLANGE, 6X50	1	1	1	3		
		25	95700-06060-00	BOLT, FLANGE, 6X60	2	2	2			
			95700-06080-00	BOLT, FLANGE, 6X80				2		
		26	96000-06025-00	BOLT, FLANGE, 6X25			1	1		B,DK,DM,E,ED,F,IT,SA,SD U,1G,2G



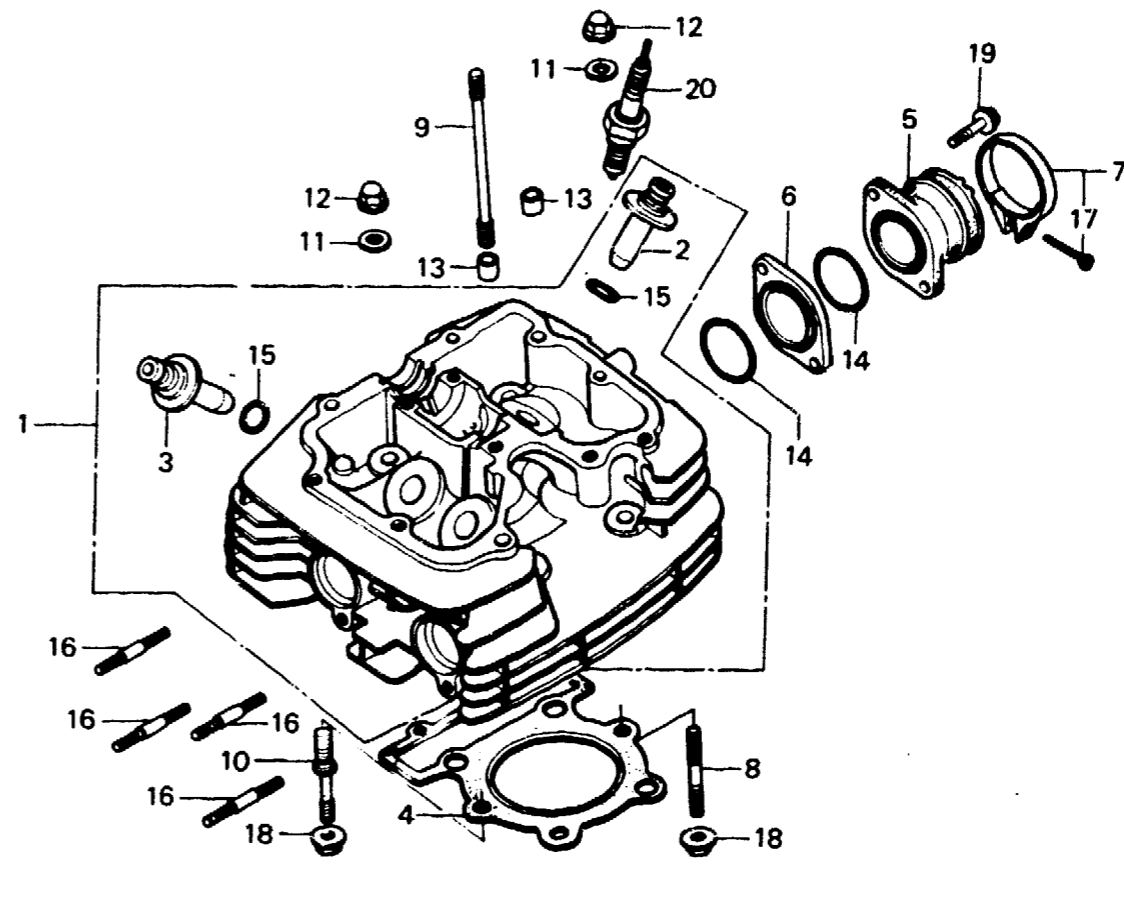
**E-2**

**Cylinder head**

**Culasse**

**Zylinderkopf**

**Culata**



B429-2

Service item	F.R.T.	Ref. No.	Part No.	Description	Reqd. No.				Serial No.	Area code
					Sz	XL500 SA	Ss	Rc		
HEAD COMP., CYLINDER	*4.2	1	12200-429-305	HEAD COMP., CYLINDER	1	1				
GUIDE, VALVE	*3.6		12200-429-315	HEAD COMP., CYLINDER			1			
(INC. REAMING)			12200-MC4-670	HEAD COMP., CYLINDER						
(ADD 0.2 FOR EACH.)		2	12231-429-305	GUIDE, IN. VALVE	2	2	2	2		
(EXC. VALVE REFACING)		3	12241-429-305	GUIDE, EX. VALVE	2	2	2	2		
(ADD MORE 0.2 IF PERFORMED.)		4	12251-429-000	GASKET, CYLINDER HEAD	1	1	1	1		
GASKET, CYLINDER HEAD	*3.2	5	16211-435-000	INSULATOR, CARBURETOR	1	1	1			
INSULATOR, CARBURETOR	0.3		16211-MC4-670	INSULATOR, CARBURETOR						1
INC. RELATIVE PART		6	16215-429-000	INSULATOR, HEAT	1	1	1	1		
BOLT, STUD, 6X35		7	16223-413-000	BAND, CARBURETOR INSULATOR	1	1	1	1		
(ADD 0.1 FOR EACH.)		8	90003-428-000	BOLT, STUD, 8X49	1	1	1	1		
BOLT, STUD, 8X49	*3.3	9	90085-429-000	BOLT, STUD, 7MM	1	1	1			
BOLT, STUD, 8MM		10	90087-429-000	BOLT, STUD, 8MM	1	1	1	1		
BOLT, STUD, 7MM	*2.6									
		11	90441-429-000	WASHER, 8MM	4	4	4	4		
		12	90443-107-000	NUT, CAP, 8MM	4	4	4	4		
		13	91103-429-000	PIN, DOWEL, 8X10	2	2	2			
			94301-08140	PIN A, DOWEL, 8X14				2		
		14	91271-429-000	O-RING, 40X2.4	2	2	2	2		



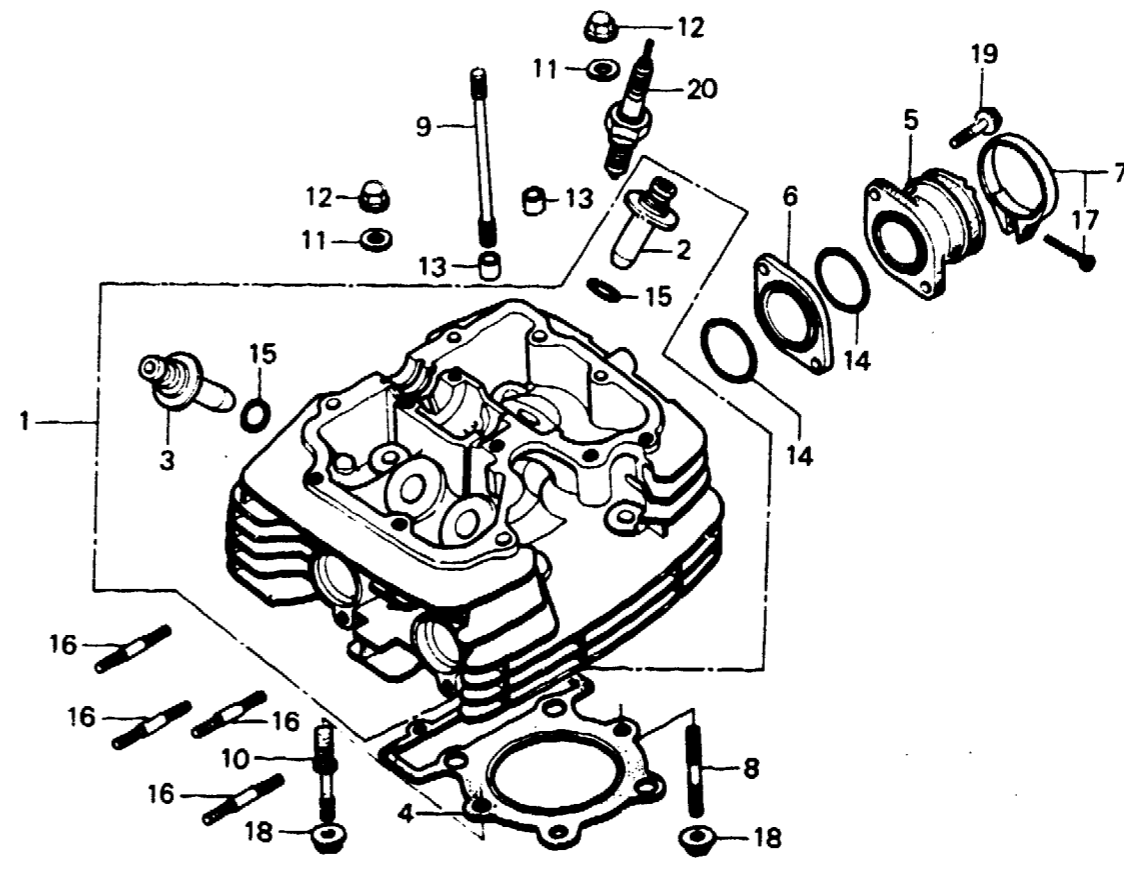
E-2

Cylinder head

Culasse

Zylinderkopf

Culata



B429-2

Service item	F.R.T.	Ref. No.	Part No.	Description	Reqd. No. XL500				Serial No.	Area code
					Sz	SA	Ss	Rc		
		15	91301-200-000	O-RING, 10X1.6	4	4	4	4		
		16	92700-06035-0E	BOLT, STUD, 6X35	4	4	4	4		
		17	93500-05025-0G	SCREW, PAN, 5X25	1	1	1	1		
		18	94071-08080	NUT-WASHER, 8MM	2	2	2	2		
		19	96000-06025-00	BOLT, FLANGE, 6X25	2	2	2	2		
		20	98069-38716	PLUG, SPARK (DR8ES-L NGK)	1	1	1	1		B,CM,E,ED,F,IT,SA,SD,1G 2G
			98069-57716	PLUG, SPARK (DRTES NGK)	(1)	(1)	(1)	(1)		B,CM,E,ED,F,IT,SA,SD,1G 2G
			98069-57717	PLUG, SPARK (D7EA NGK)	(1)	(1)	(1)	(1)		DK,DM,U
			98069-57726	PLUG, SPARK (X22ESR-U ND)	(1)	(1)	(1)	(1)		B,CM,E,ED,F,IT,SA,SD,1G 2G
			98069-57727	PLUG, SPARK (X22ES-U ND)	(1)	(1)	(1)	(1)		DK,DM,U
			98069-58716	PLUG, SPARK (DR8ES NGK)	(1)	(1)	(1)	(1)		F,CM,E,ED,F,IT,SA,SD,1G 2G
			98069-58717	PLUG, SPARK (D8EA NGK)	1	1	1	1		DK,DM,U
			98069-58726	PLUG, SPARK (X24ESR-U ND)	1	1	1	1		B,CM,E,ED,F,IT,SA,SD,1G 2G
			98069-58727	PLUG, SPARK (X24ES-U ND)	1	1	1	1		DK,DM,U
			98069-59717	PLUG, SPARK (D9EA NGK)	(1)	(1)	(1)	(1)		DK,DM,U



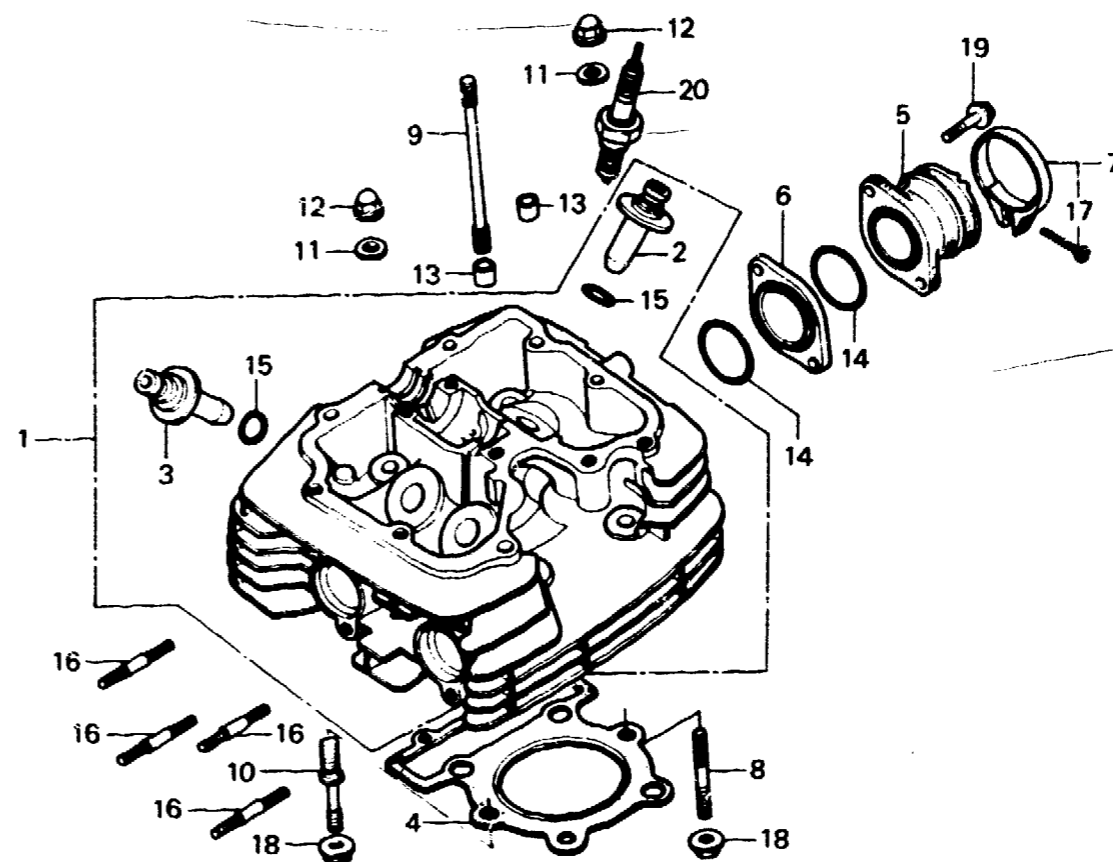
**E-2**

**Cylinder head**

**Culasse**

**Zylinderkopf**

**Culata**



B429-2

Service item	F.R.T.	Ref. No.	Part No.	Description	Reqd. No. XL500				Serial No.	Area code
					Sz	SA	Se	Rc		
			98069-59726	PLUG, SPARK (X27ESR-U ND)	(1)	(1)	(1)	(1)		B,CM,E,ED,F,IT,SA,SD,1G
			98069-59727	PLUG, SPARK (X27ES-U ND)	(1)	(1)	(1)	(1)		2G DK,DM,U

1981.12.20

E

C8





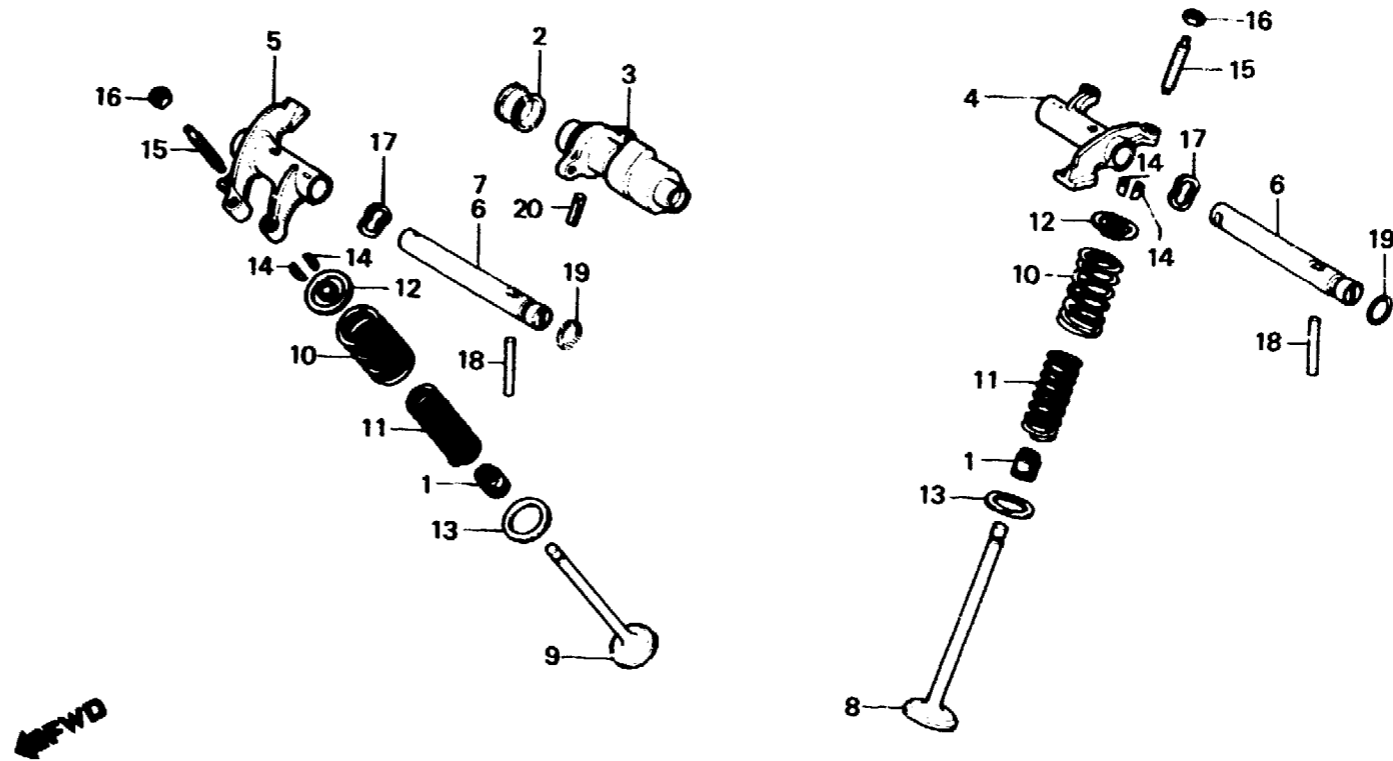
# E-3

Camshaft • Valve

Arbre à cames • Soupape

Nockenwelle • Ventil

Arbol de levas • Válvula



B-429-3

Service item	F.A.T.	Ref. No.	Part No.	Description	Reqd. No.				Serial No.	Area code
					Sz	XL500 SA	Se	Rc		
PLUG, CAMSHAFT	*2.5	1	12209-429-005	SEAL, VALVE STEM	4	4	4	4		
CAMSHAFT	*2.9	2	12312-428-000	PLUG, CAMSHAFT	1	1				
ARM, VALVE ROCKER	*2.6	3	14101-435-000	CAMSHAFT	1	1				
INC. RELATIVE PART (WHEN SERVICING COMP. UNIT, F.R.T. IS 2.7.)			14101-435-640	CAMSHAFT			1	1		CM B,DK,DM,E,ED,F,IT,SA,SD U,1G,2G
VALVE	*3.4	4	14431-429-000	ARM, IN. VALVE ROCKER	1	1	1	1		
(ADD 0.2 FOR EACH.) (INC. REFACING) (EXC. VALVE GUIDE REPLACEMENT)		5	14441-429-000	ARM, EX. VALVE ROCKER	1	1	1	1		
SPRING, VALVE OUTER	*3.3	6	14451-428-000	SHAFT, VALVE ROCKER ARM	2	2	2	1		
INC. RELATIVE PART (ADD 0.1 FOR EACH.)		7	14451-471-000	SHAFT, EX. VALVE ROCKER ARM				1		
		8	14711-429-000	VALVE, IN.	2	2	2	2		
		9	14721-429-000	VALVE, EX.	2	2	2	2		
		10	14751-429-003	SPRING, VALVE OUTER (CHUD HATSUJO)	4	4	4	4		
			14751-429-005	SPRING, VALVE OUTER (NIPPON HATSUJO)	4	4	4	4		

**C 10**

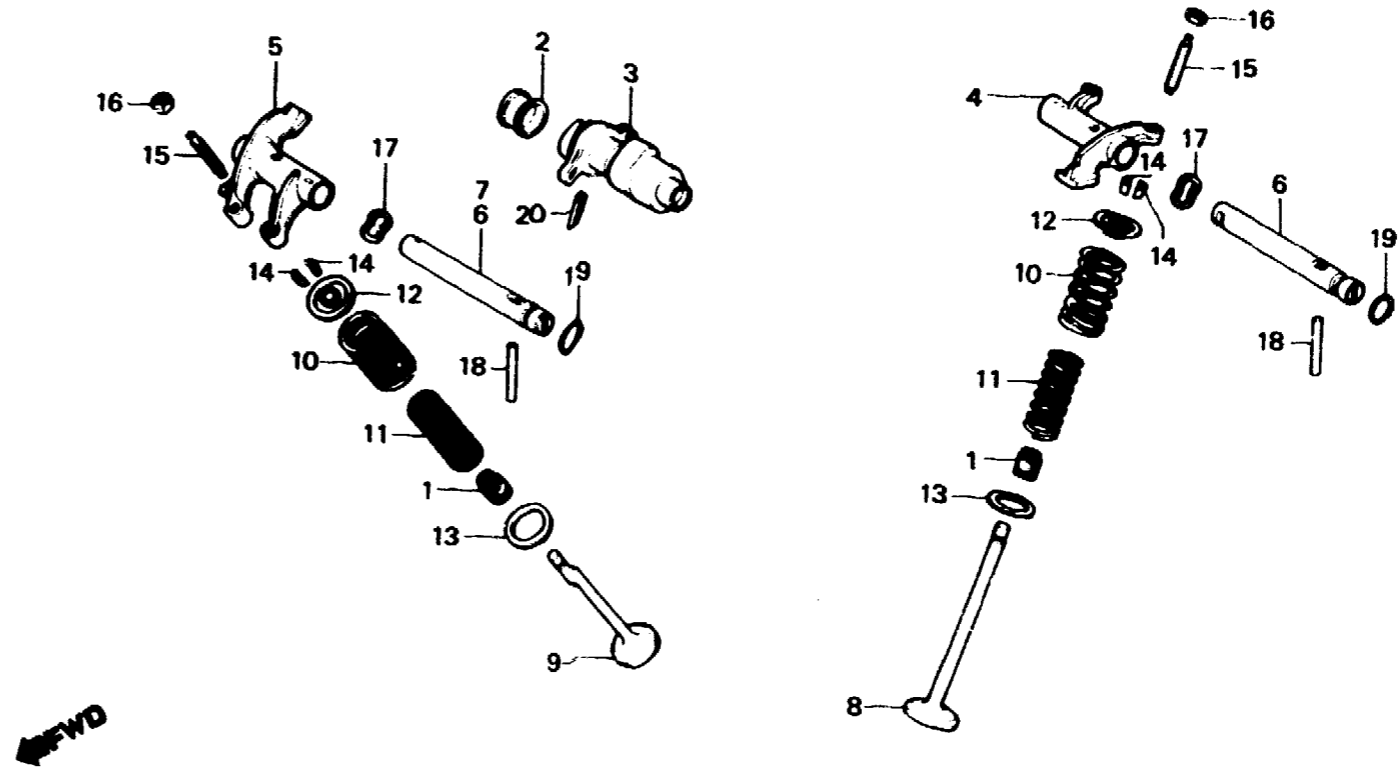
**E-3**

**Camshaft • Valve**

**Arbre à cames • Soupape**

**Nockenwelle • Ventil**

**Arbol de levas • Válvula**



B-429-3

Service item	F.R.T.	Ref. No.	Part No.	Description	Reqd. No.				Serial No.	Area code
					Sz	XL500 SA	SA	Rc		
		11	14761-429-003	SPRING, VALVE INNER (CHUC HATSUJJO)	4	4	4	4		
			14761-429-005	SPRING, VALVE INNER (NIPPON HATSUJJO)	4	4	4	4		
		12	14771-429-000	RETAINER, VALVE SPRING	4	4	4	4		
		13	14775-428-000	SEAT, VALVE SPRING	4	4	4	4		
		14	14781-410-000	COTTER, VALVE	8	8	8	8		
		15	90012-300-000	SCREW, TAPPET ADJUSTING	4					5011144
			90012-426-000	SCREW, TAPPET ADJUSTING	4				5011145	
						4	4	4		
		16	90205-300-000	NUT, TAPPET ADJUSTING	4	4	4	4		
		17	90402-428-000	WASHER, WAVE, 12MM	2	2	2	2		
		18	91101-429-000	PIN, DOWEL, 5X33	2	2	2	2		
		19	91303-428-003	O-RING, 7.7X2.5	2	2	2	2		
		20	94305-30302	PIN, SPRING, 3X30				1	1	

B,DK,DM,E,ED,F,IT,SA,SD  
U,1G,2G

**C 11**

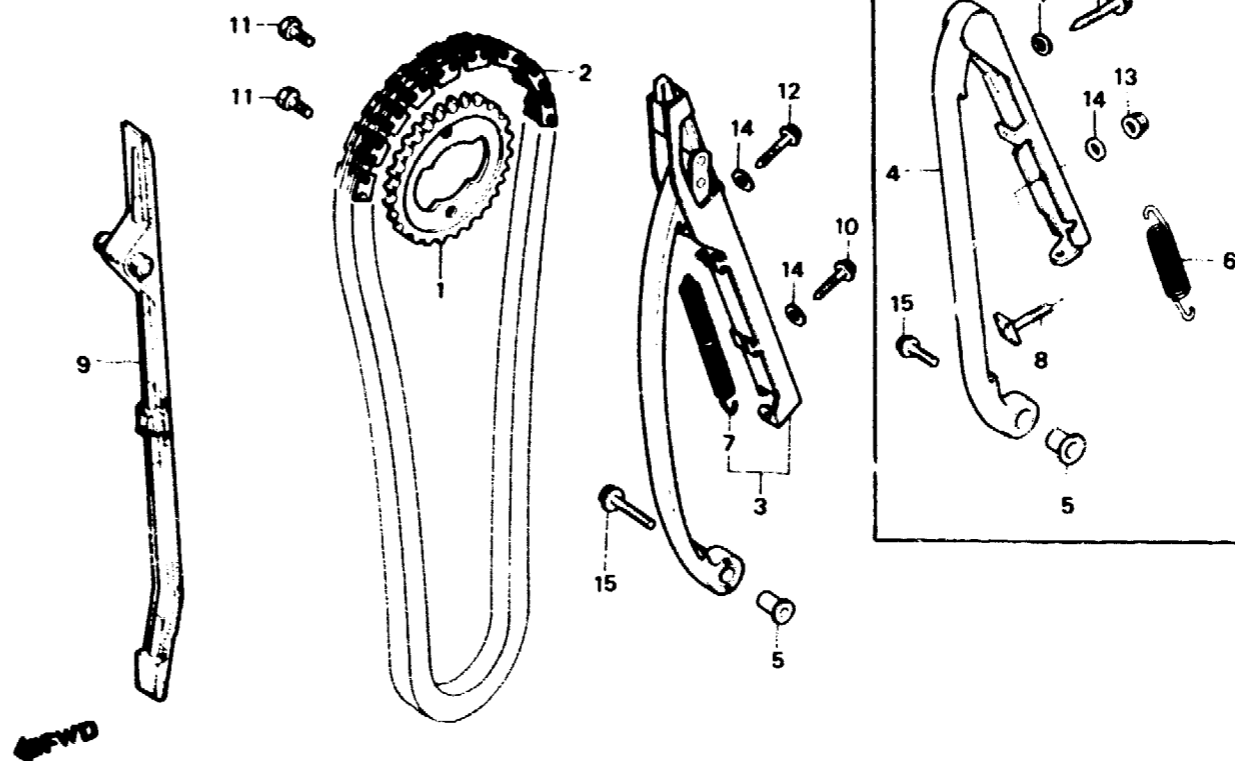
**E-4**

**Cam chain • Tensioner**

**Chaîne de cames • Tendeur**

**Steuerkette • Spanner**

**Cadena de levas • Tensionador**



BMAO-5

Service item	F.R.T.	Ref. No.	Part No.	Description	Reqd. No.				Serial No.	Area code
					Sz	XL500 SA	Se	Rc		
SPROCKET, CAM	*2.9	1	14321-428-000	SPROCKET, CAM (38T)	1	1	1	1		
CHAIN, CAM	*3.7	2	14401-429-003	CHAIN, CAM	1	1	1			
TENSIONER COMP., CAM CHAIN	*3.6		14401-MAO-670	CHAIN, CAM				1		
GUIDE, CAM CHAIN	*3.2	3	14500-MAO-670	TENSIONER COMP., CAM CHAIN				1		
		4	14500-429-000	TENSIONER COMP., CAM CHAIN	1	1	1			
		5	14515-428-000	COLLAR, 6X14.7	1	1	1	1		
		6	14516-428-000	SPRING A, CAM CHAIN TENSIONER	1	1	1			
		7	14516-471-000	SPRING, CAM CHAIN TENSIONER				1		
		8	14538-413-000	ADJUSTER, CAM CHAIN TENSIONER	1	1				
			14538-428-000	ADJUSTER, CAM CHAIN TENSIONER			1			
		9	14620-429-000	GUIDE, CAM CHAIN	1	1	1	1		
		10	90011-471-000	BOLT, SPECIAL, 6X26				1		
		11	90081-246-000	BOLT, KNOCK, 7X12	2	2	2	2		

1981.12.20

E

C11

**C 12**

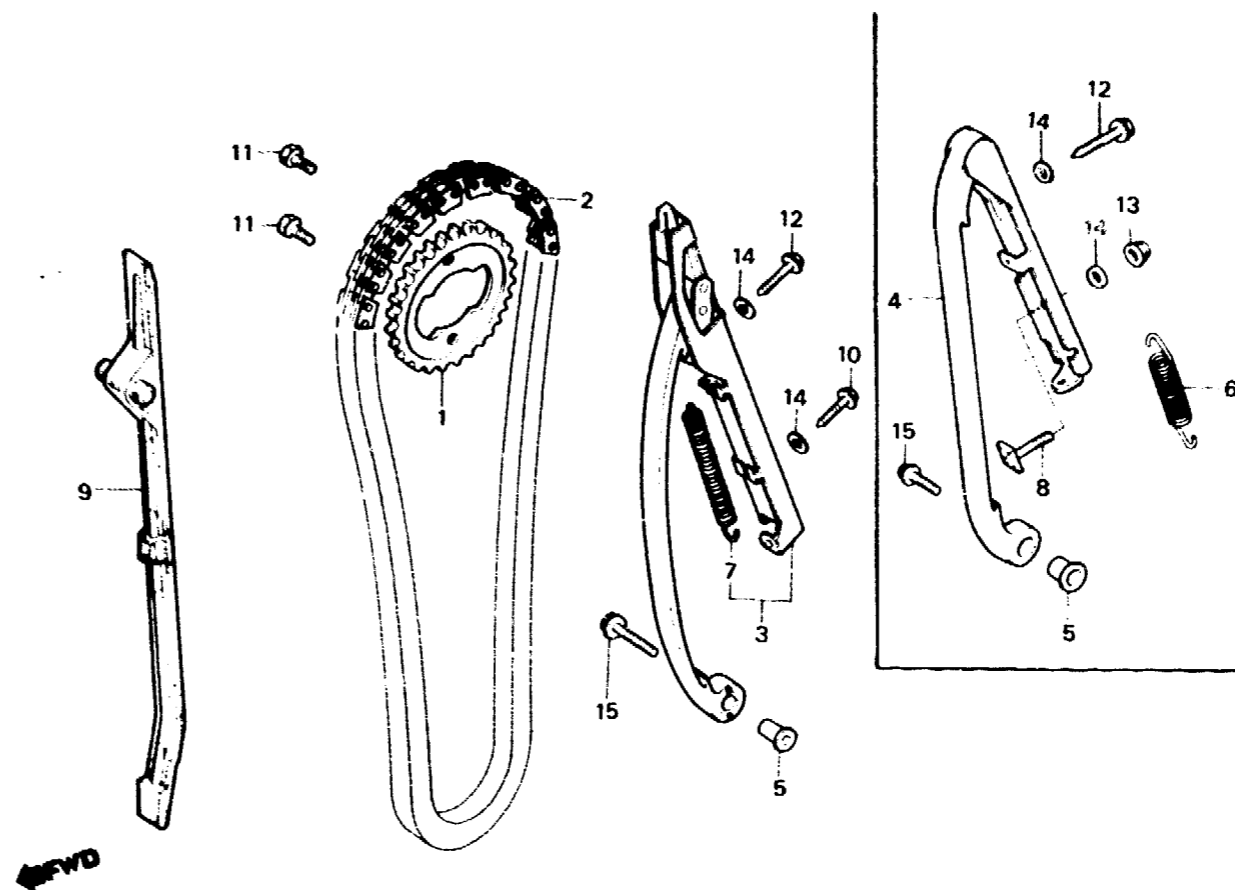
**E-4**

**Cam chain • Tensioner**

**Chaîne de cames • Tendeur**

**Steuerkette • Spanner**

**Cadena de levas • Tensionador**



BMA0-5

Service item	F.R.T.	Ref. No.	Part No.	Description	Reqd. No.				Serial No.	Area code
					Sz	XL500 SA	Sb	Rc		
		12	90125-399-000	BOLT, SPECIAL, 6X28	1	1	1	1		
		13	90201-415-000	NUT, CAP, 6MM	1	1	1			
		14	90441-706-000	WASHER, SEALING, 6MM	2	2	2	2		
		15	95700-06028-00	BOLT, FLANGE, 6X28	1	1	1	1		

1981.12.20

E

C12

**C 13**

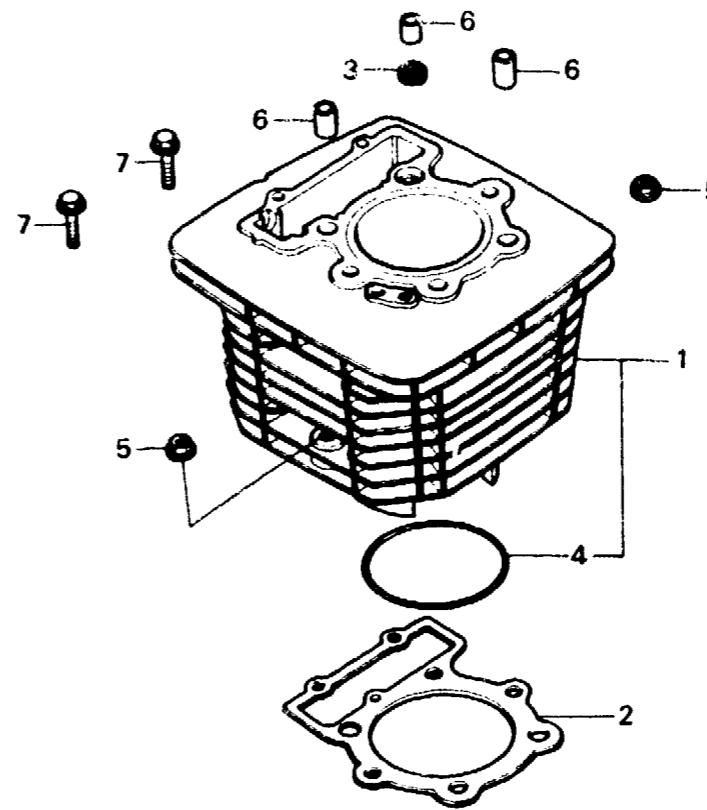
**E-5**

**Cylinder**

**Cylindre**

**Zylinder**

**Cilindro**



**←FWD**

B429-5

Service item	F.R.T.	Ref. No.	Part No.	Description	Reqd. No.				Serial No.	Area code
					Sz	XL500 S <sub>A</sub>	S <sub>B</sub>	Rc		
CYLINDER COMP. GASKET, CYLINDER	*3,4	1	12100-429-000	CYLINDER COMP.	1	1	1			
			12100-MA0-671	CYLINDER COMP.				1		
		2	12191-429-000	GASKET, CYLINDER	1	1				
			12191-MA0-000	GASKET, CYLINDER			1	1		CM B,DK,DM,E,ED,F,IT,SA,SD U,1G,2G CM
		3	12909-428-003	GASKET, CYLINDER STUD (ARAI)	1	1	1	1		
		4	91302-429-000	O-RING, 94.5X2	1	1	1	1		
		5	94071-08080	NUT-WASHER, 8MM	2	2	2	2		
6	94301-12200	PIN A, DWEL, 12X20	3	3	3	3				
7	95700-06025-00	BOLT, FLANGE, 6X25	2	2	2	2				

1981.12.20

E

C13



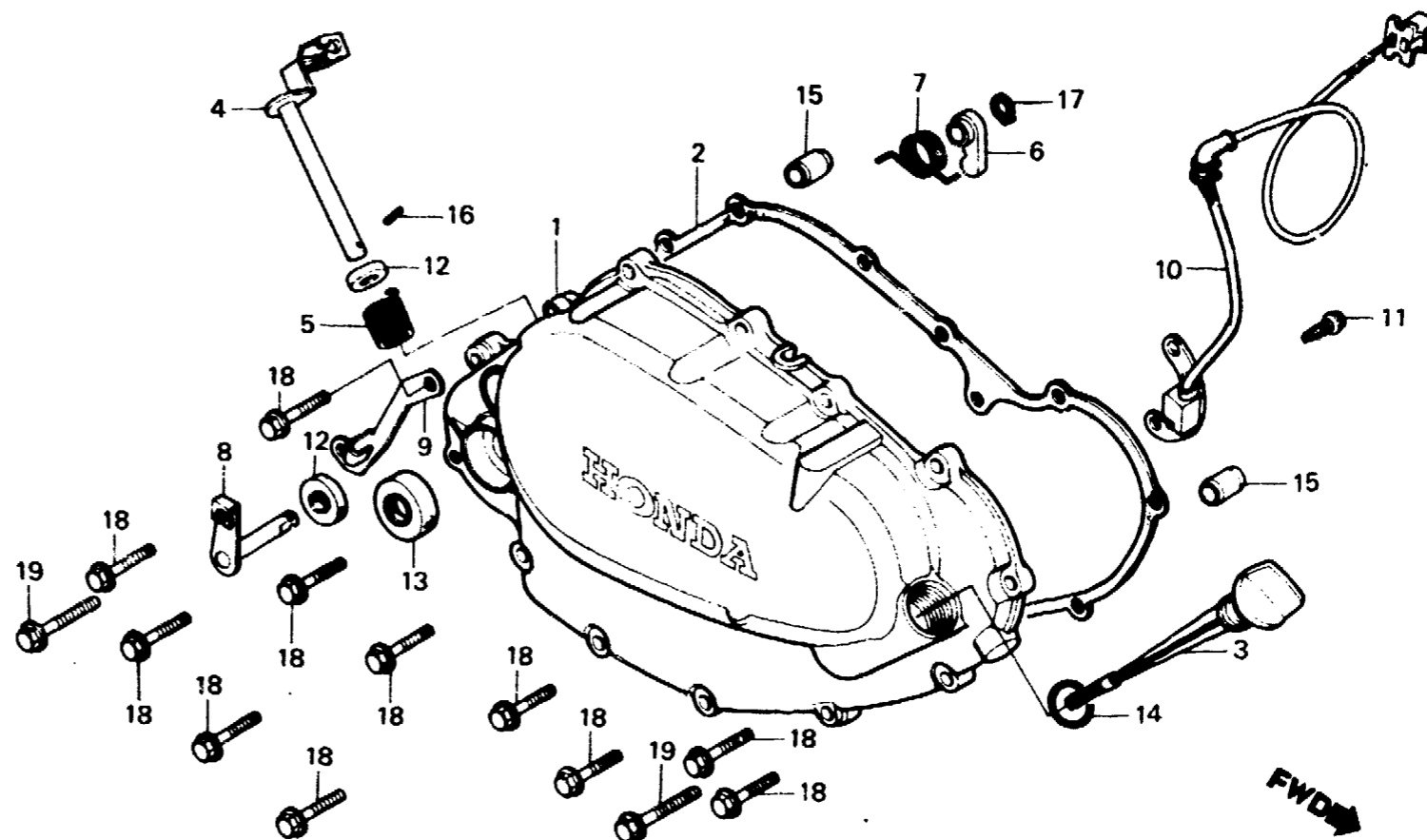
# E-6

Right crankcase cover

Couvercle de carter moteur droit

Rechter Kurbegehäusedeckel

Cubierta de cárter de motor derecha



B429-6

Service item	F.R.T.	Ref. No.	Part No.	Description	Reqd. No.				Serial No.	Area code
					Sz	XL500	Sa	Rc		
COVER COMP., R. CRANKCASE	1.0	1	11330-429-000	COVER COMP., R. CRANKCASE	1	1				
GASKET, R. COVER	0.6		11330-428-730	COVER COMP., R. CRANKCASE			1			
LEVER COMP., CLUTCH	0.7		11330-MC4-000	COVER COMP., R. CRANKCASE				1		
INC. RELATIVE PART		2	11394-429-000	GASKET, R. COVER	1	1	1			
SHAFT COMP., FOLLOWER			11394-MA0-000	GASKET, R. COVER				1		
DIL SEAL		3	15650-399-000	GAUGE, OIL LEVEL	1	1	1			
GENERATOR ASSY. PULSE	0.8		15650-471-000	GAUGE, OIL LEVEL				1		
GENERATOR ASSY., PULSE		4	22810-429-000	LEVER COMP., CLUTCH	1	1	1	1		
		5	22815-428-000	SPRING, CLUTCH LEVER	1	1	1	1		
		6	28271-428-000	FOLLOWER, CAM	1	1	1	1		
		7	28274-428-000	SPRING, FOLLOWER	1	1	1	1		
		8	28280-428-000	SHAFT COMP., FOLLOWER	1	1	1	1		
		9	28287-428-000	RECEIVER B, DECOMPRESSION	1	1				
			28287-435-730	RECEIVER B, DECOMPRESSION			1	1		
		10	30301-429-305	GENERATOR ASSY. A, PULSE	1	1	1			



Not for commercial use

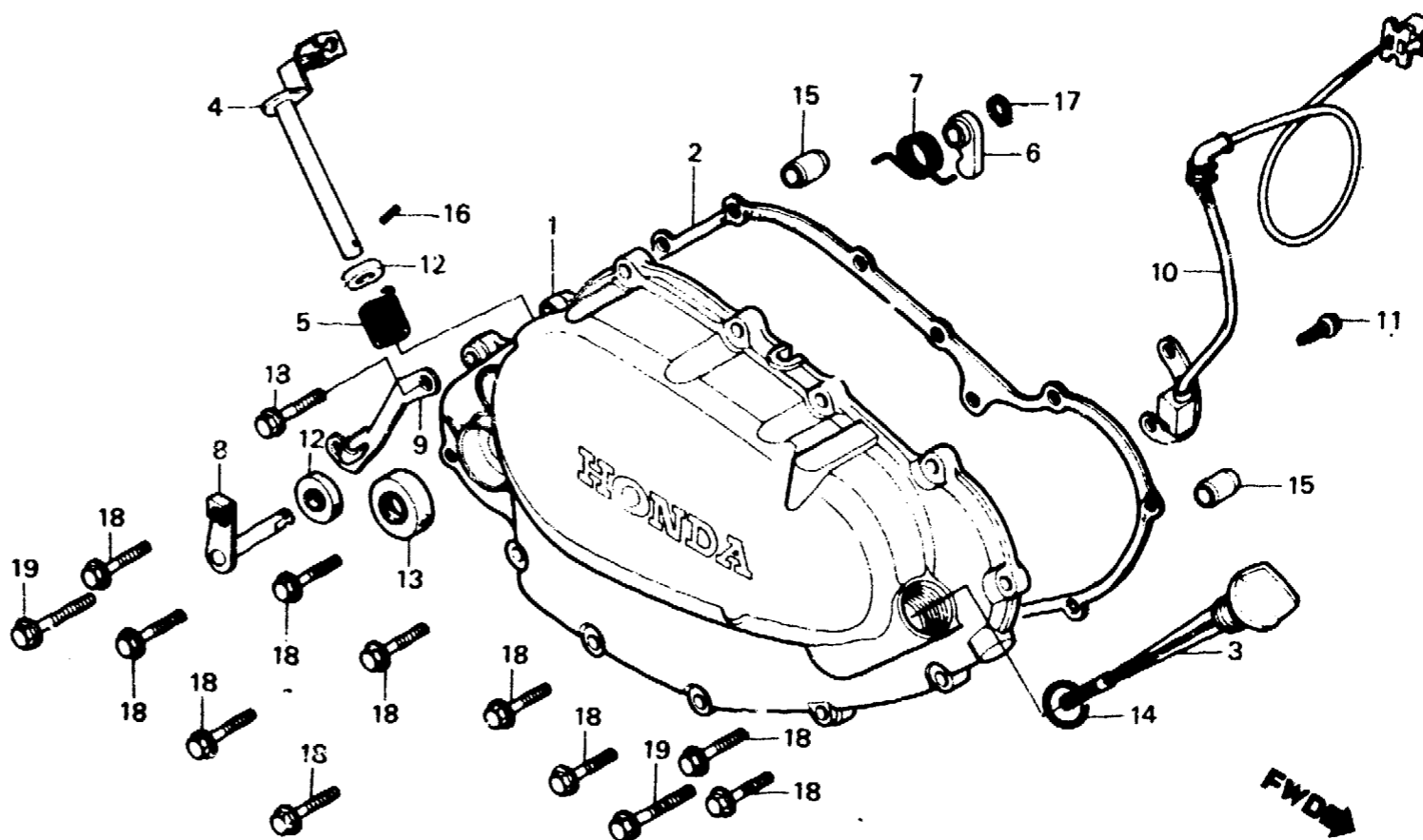
# E-6

Right crankcase cover

Couvercle de carter moteur droit

Rechter Kurbelgehäusedeckel

Cubierta de cárter de motor derecha



B429-6

Service item	F.R.T.	Ref. No.	Part No.	Description	Reqd. No.				Serial No.	Area code
					Sz	XL500	Sz	Rc		
			30302-429-305	GENERATOR ASSY. B, PULSE	1	1	1			
			30303-429-305	GENERATOR ASSY. C, PULSE	1	1	1			
			30300-MC4-154	GENERATOR ASSY., PULSE				1		
		11	90190-663-671	SCREW, TAPPING, 6X16	2	2	2	2		
		12	91201-148-003	OIL SEAL, 12X22X5	2	2	2	2		
			91201-148-005	OIL SEAL, 12X22X5	2	2	2	2		
		13	91204-286-003	OIL SEAL, 18X29X7	1	1	1			
			91204-286-005	OIL SEAL, 18X29X7	1	1	1			
			91201-MC4-003	OIL SEAL, 20.5X29X7					1	
			91201-MC4-005	OIL SEAL, 20.5X29X7					1	
		14	91307-035-000	O-RING, 18X3	1	1	1	1		
		15	94301-10160	PIN A, DOWEL, 10X16	2	2	2	2		

**C 16**



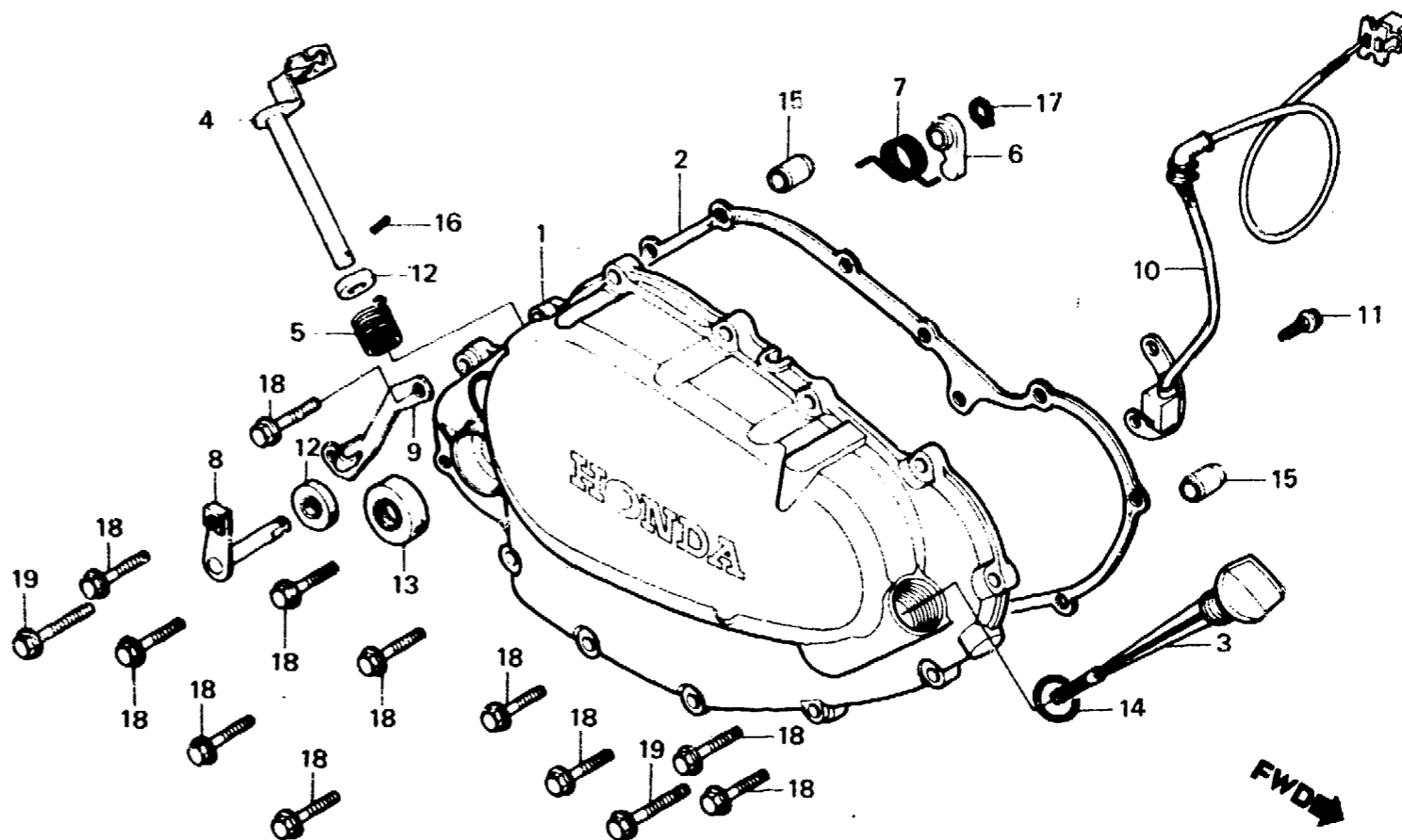
**E-6**

**Right crankcase cover**

**Couvercle de carter moteur droit**

**Rechter Kurbelgehäusedeckel**

**Cubierta de cárter de motor derecha**



B429-6

Service item	F.R.T.	Ref. No.	Part No.	Description	Reqd. No.				Serial No.	Area code
					Sz	SA	SA	Rc		
		16	94305-30102	PIN, SPRING, 3X10	1	1	1	1		
		17	94510-10000	CIRCLIP, EXTERNAL, 10	1	1	1	1		
		18	96000-06025-00	BOLT, FLANGE, 6X25	11	11	11	11		
		19	96000-06040-00	BOLT, FLANGE, 6X40	2	2	2	2		

1981.12.20

E

C16