

**2-H9**

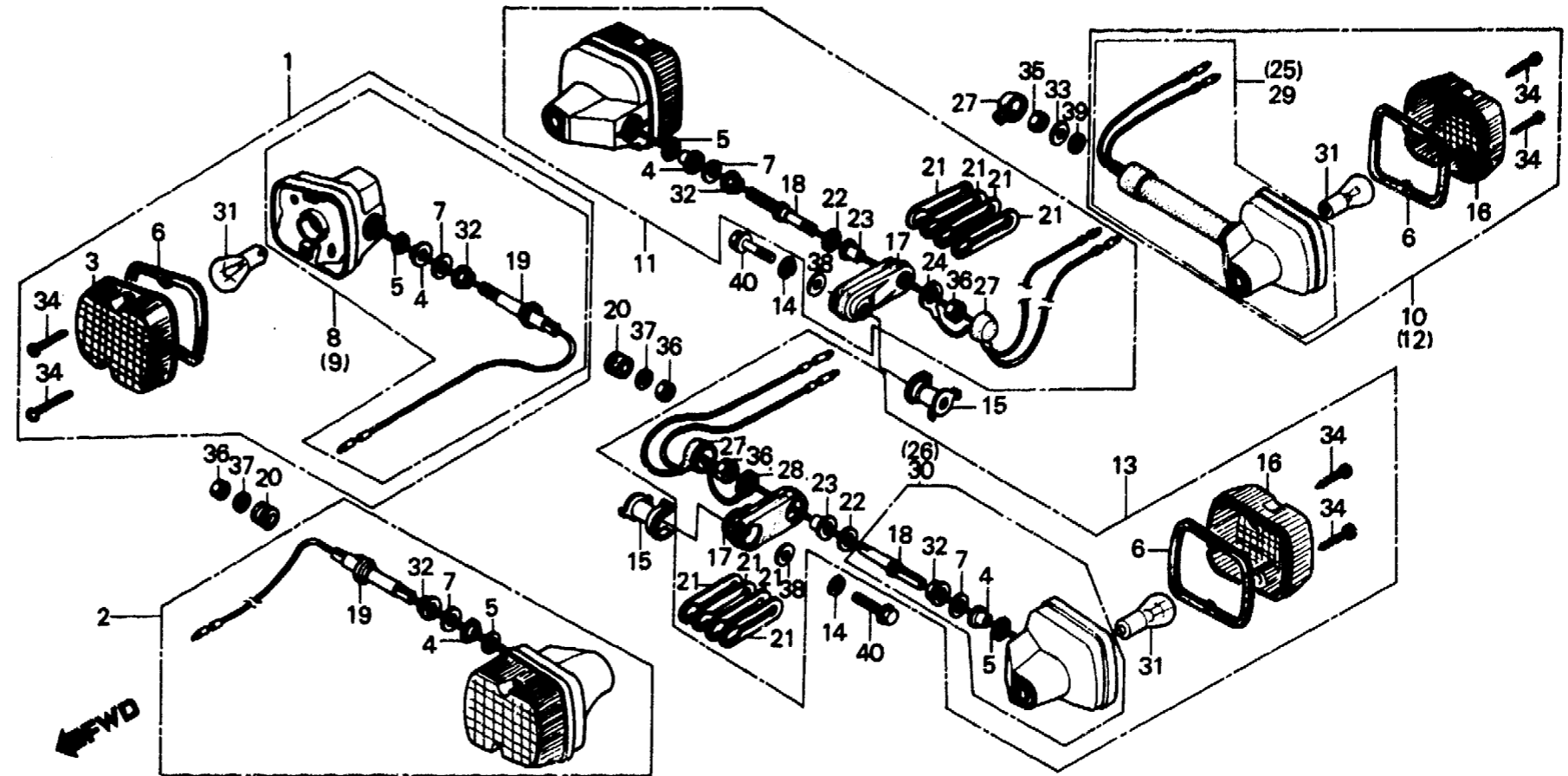
**F-22-4**

**Winker**  
(XL250Rc-ED,G1,G2,SW)

**Clignotant**  
(XL250Rc-ED,G1,G2,SW)

**Blinker**  
(XL250Rc-ED,G1,G2,SW)

**Luz intermitente**  
(XL250Rc-ED,G1,G2,SW)



BMC4-29

Service item	F.R.T.	Ref. No.	Part No.	Description	Reqd. No.					Serial No.	Area code
					S	Sz	SA	Sb	Rc		
		22	33608-437-000	WASHER, RR. WINKER SPRING					2		G1,G2
		23	33609-437-000	WASHER B, RR. WINKER					2		G1,G2
		24	33615-428-000	CORD, R. WINKER EARTH					1		G1,G2
		25	33620-MC4-600	BASE COMP., R. RR. WINKER					1		ED,SW
		26	33620-MC4-610	BASE COMP., R. RR. WINKER					1		G1,G2
		27	33625-428-000	COVER, WINKER CORD					2		ED,G1,G2,SW
		28	33665-428-000	CORD, L. WINKER EARTH					1		G1,G2
		29	33670-MC4-600	BASE COMP., L. RR. WINKER					1		ED,SW
		30	33670-MC4-610	BASE COMP., L. RR. WINKER					1		G1,G2
		31	34908-634-611	BULB (12V21W)					4		ED,G1,G2,SW

**2-H10**

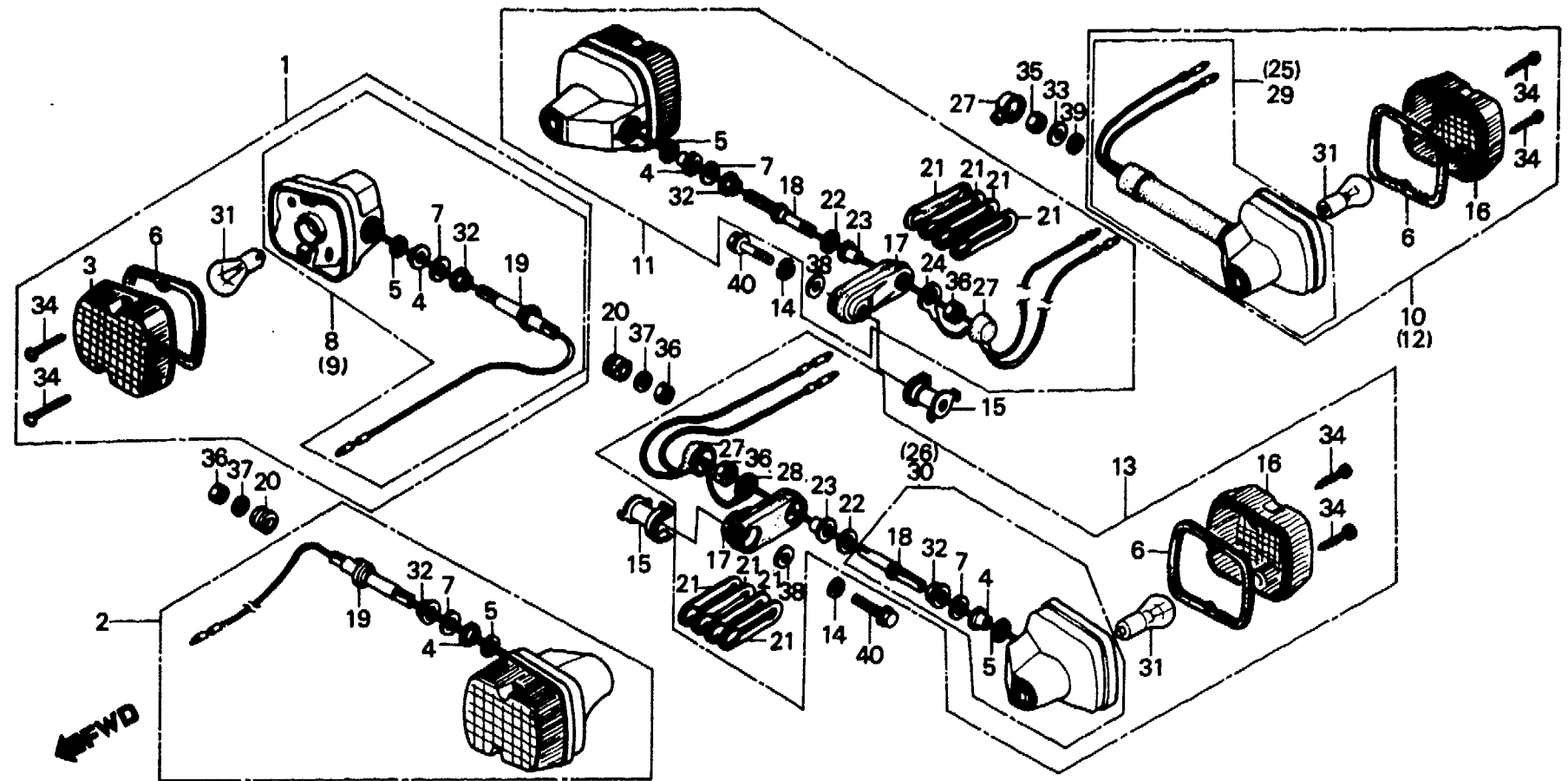
**F-22-4**

**Winker**  
(XL250Rc-ED,G1,G2,SW)

**Clignotant**  
(XL250Rc-ED,G1,G2,SW)

**Blinker**  
(XL250Rc-ED,G1,G2,SW)

**Luz intermitente**  
(XL250Rc-ED,G1,G2,SW)



BMC4-29

Service item	F.R.T.	Ref. No.	Part No.	Description	Reqd. No.					Serial No.	Area code
					S	Sz	SA	Sb	Rc		
		32	90201-428-003	NUT, FLANGE, 10MM					2		ED,SW
		33	90202-KB7-000	WASHER, SPECIAL, 10MM					4		G1,G2
		34	93901-24610	SCREW, TAPPING, 4X25					8		ED,SW
		35	94001-10000-0S	NUT, HEX., 10MM					2		ED,SW
		36	94002-10000-0S	NUT, HEX., 10MM					2		ED,SW
		37	94101-10000	WASHER, PLAIN, 10MM					4		G1,G2
		38	94103-06800	WASHER, PLAIN, 6MM					2		ED,G1,G2,SW
		39	94111-10700	WASHER, SPRING, 10MM					2		G1,G2
		40	95700-06090-00	BOLT, FLANGE, 6X90					2		ED,SW
											G1,G2

**2-H11**

**F-23**

FWD

**Taillight**

(XL250S,Sz,SA,Sb-CM,  
DK,DM,E,F1,F2,SA,U)

**Feu arrière**

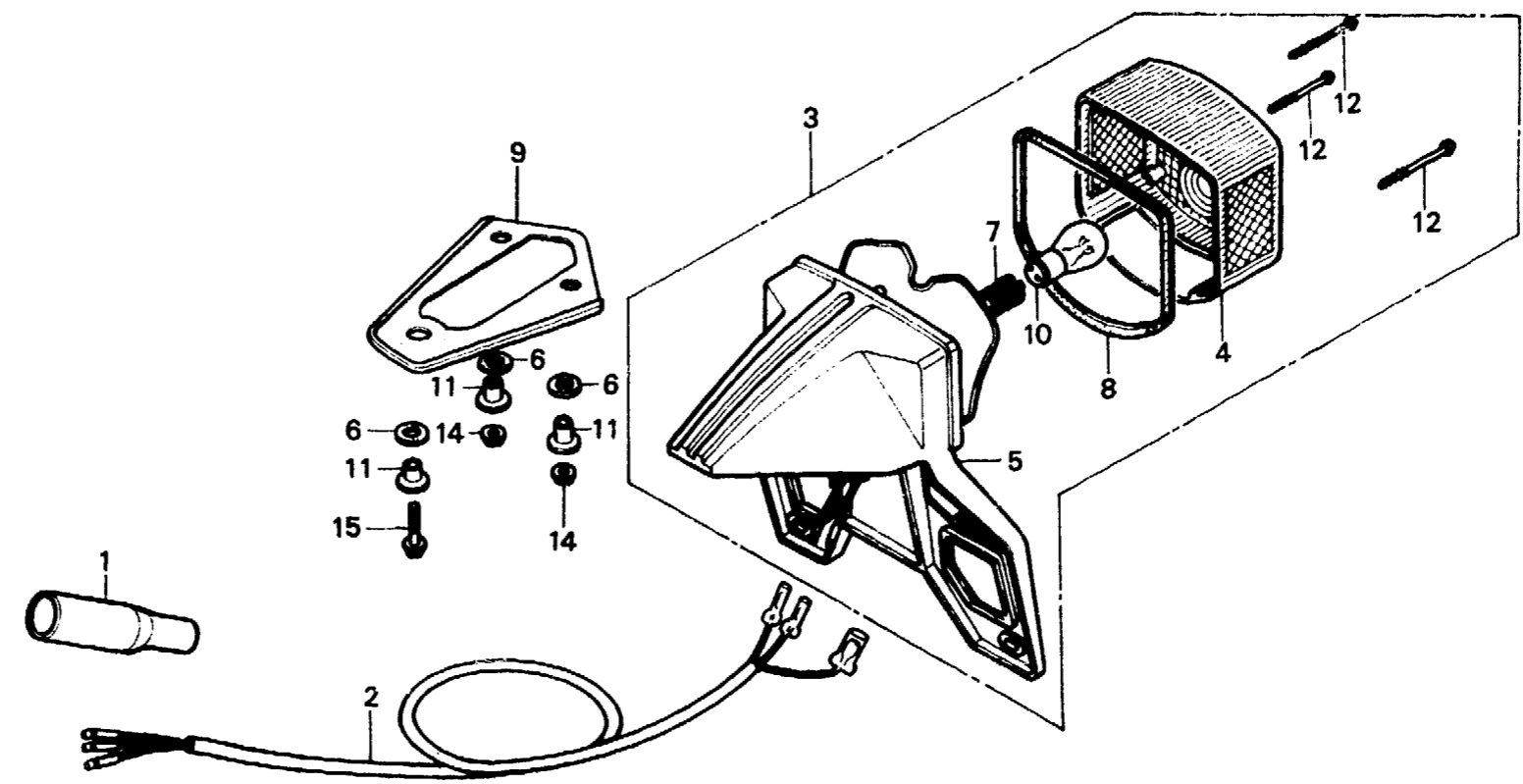
(XL250S,Sz,SA,Sb-CM,  
DK,DM,E,F1,F2,SA,U)

**Rücklicht**

(XL250S,Sz,SA,Sb-CM,  
DK,DM,E,F1,F2,SA,U)

**Luz trasera**

(XL250S,Sz,SA,Sb-CM,  
DK,DM,E,F1,F2,SA,U)



B428-36E

Service item	F.R.T.	Ref. No.	Part No.	Description	Reqd. No. XL250					Serial No.	Area code
					S	Sz	SA	Sb	Rc		
SUB CORD, TAILLIGHT TAILLIGHT ASSY.	0.2	1	32108-046-000	COVER, WIRE HARNESS CONNECTOR	1	1	1	1			CM,DK,DM,SA,U
SOCKET COMP., TAILLIGHT BULB, STOP & TAILLIGHT	0.1	2	32200-428-000	SUB CORD, TAILLIGHT	1	1	1	1			E F1,F2 CM,DK,DM,SA,U
		3	33700-428-003	TAILLIGHT ASSY.	1					5017851	E F1,F2 DK,DM,SA,U
			33700-428-013	TAILLIGHT ASSY.	1					5017852	DK,DM,SA,U
			33700-428-671	TAILLIGHT ASSY.	1					5103570	CM
			33700-428-672	TAILLIGHT ASSY.	1	1				5103571 5050504	CM
			33700-428-673	TAILLIGHT ASSY.				1			CM
			33700-428-682	TAILLIGHT ASSY.				1			CM
			33700-428-910	TAILLIGHT ASSY.				1			DK,DM,SA,U
			33700-428-911	TAILLIGHT ASSY.				1			E
			33700-428-013	TAILLIGHT ASSY.				1			E
			33700-428-940	TAILLIGHT ASSY.				1			DK,DM,SA,U
		4	33702-329-003	LENS, TAILLIGHT (STANLEY)	1	1	1				F1,F2 DK,DM,SA,U

# 2-H12

## F-23

### Taillight

(XL250S, Sz, SA, Sb-CM,  
DK, DM, E, F1, F2, SA, U)

### Feu arrière

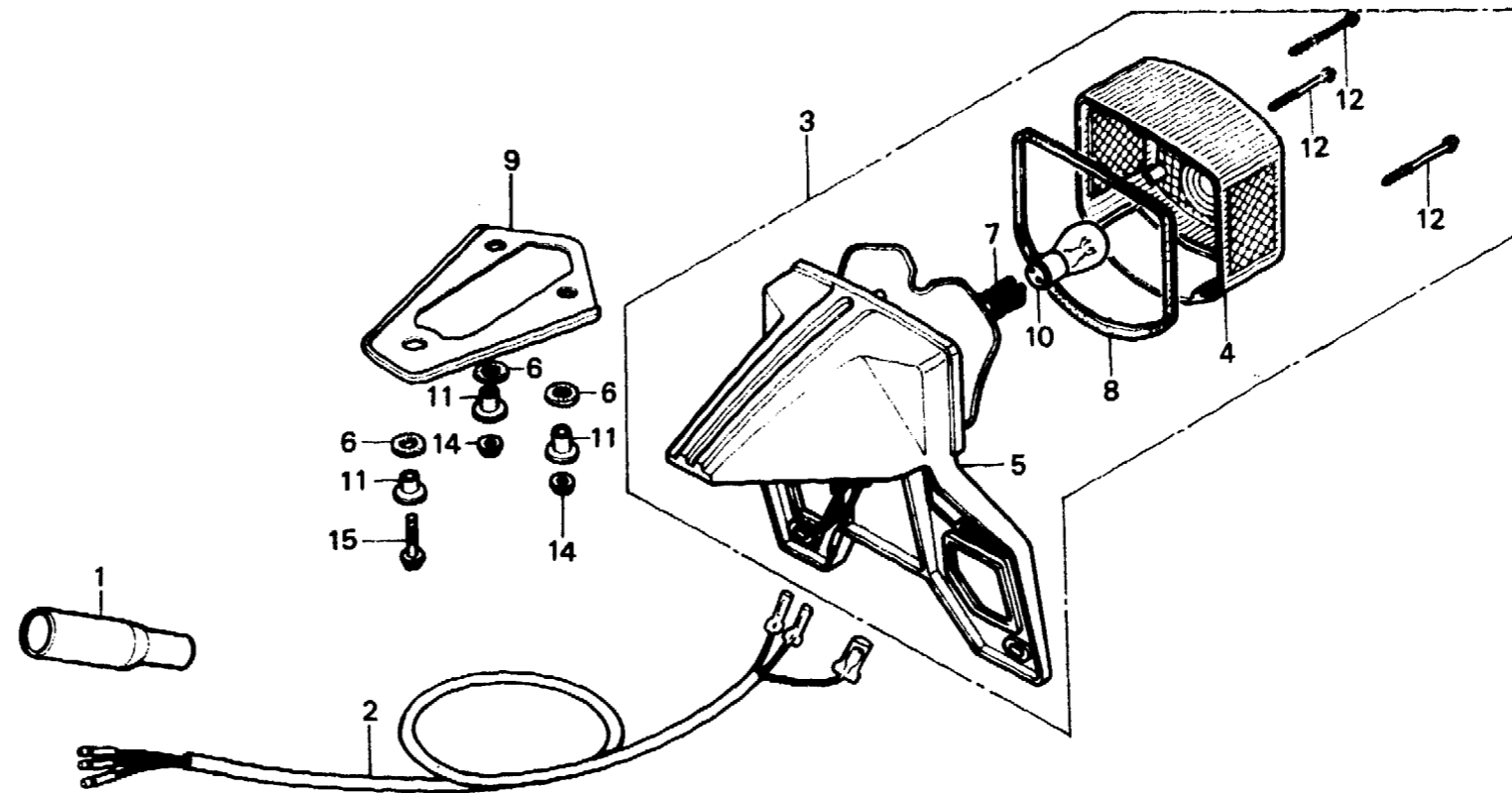
(XL250S, Sz, SA, Sb-CM,  
DK, DM, E, F1, F2, SA, U)

### Rücklicht

(XL250S, Sz, SA, Sb-CM,  
DK, DM, E, F1, F2, SA, U)

### Luz trasera

(XL250S, Sz, SA, Sb-CM,  
DK, DM, E, F1, F2, SA, U)



FWDA

B478-36E

Service item	F.R.T.	Ref. No.	Part No.	Description	Reqd. No. XL250					Serial No.	Area code
					S	Sz	SA	Sb	Rc		
			33702-329-671	LENS, TAILLIGHT	1	1	1	1			CM
			33702-388-602	LENS, TAILLIGHT (STANLEY)			1	1			E
			33702-443-611	LENS, TAILLIGHT				1			F1, F2
		5	33703-428-003	SOCKET COMP., TAILLIGHT	1					5017851	DK, DM, SA, U
			33703-428-671	SOCKET COMP., TAILLIGHT	1					5103570	CM
			33703-428-672	SOCKET COMP., TAILLIGHT	1	1				5050504	CM
			33703-428-672	SOCKET COMP., TAILLIGHT	1	1			5103571	5050505	CM
			33703-428-013	SOCKET COMP., TAILLIGHT	1		1	1		5017852	CM
			33703-428-682	SOCKET COMP., TAILLIGHT			1				DK, DM, SA, U
			33703-428-910	SOCKET COMP., TAILLIGHT			1				DK, DM, SA, U
			33703-428-911	SOCKET COMP., TAILLIGHT				1			E
		6	33704-435-000	RUBBER, TAILLIGHT FENDER			3	3			E, F1, F2
											CM

**2-H13**

**F-23**

**Taillight**

(XL250S, Sz, SA, Sb-CM, DK, DM, E, F1, F2, SA, U)

**Feu arrière**

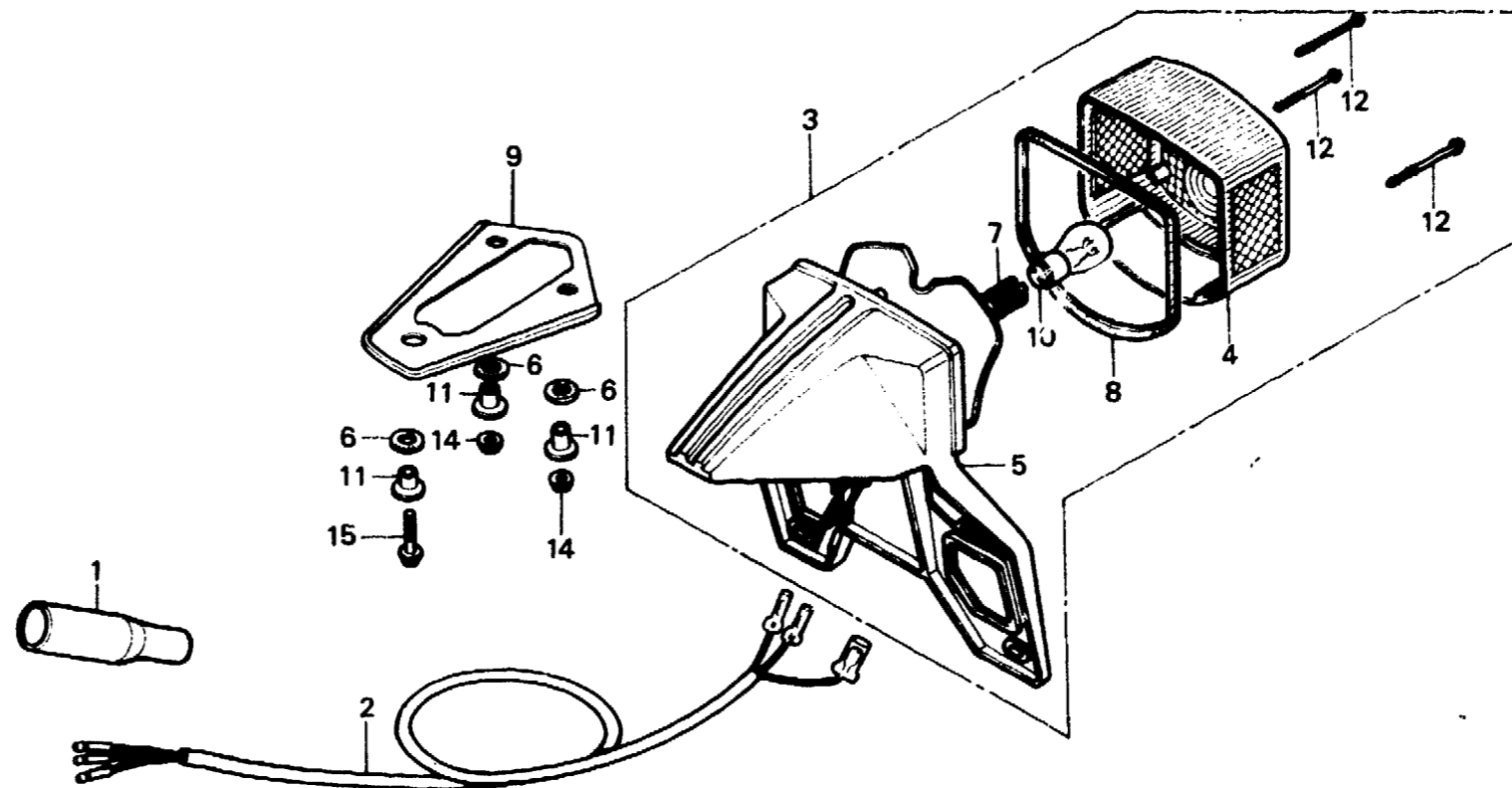
(XL250S, Sz, SA, Sb-CM, DK, DM, E, F1, F2, SA, U)

**Rücklicht**

(XL250S, Sz, SA, Sb-CM, DK, DM, E, F1, F2, SA, U)

**Luz trasera**

(XL250S, Sz, SA, Sb-CM, DK, DM, E, F1, F2, SA, U)



B428-36E

Service item	F.R.T.	Ref. No.	Part No.	Description	Reqd. No. XL250					Serial No.	Area code
					S	Sz	SA	Sb	Rc		
		7	33705-147-671	CORD COMP., TAILLIGHT (STANLEY)	1	1	1	1			CM, DK, DM, SA, U E F1, F2
		8	33709-092-671	PACKING, TAILLIGHT LENS	1	1	1	1			CM, DK, DM, SA, U E F1, F2
		9	33712-428-610	RUBBER, TAILLIGHT BASE SEAT	1	1					CM DK, DM, SA, U E
			33712-435-000	RUBBER, BASE SEAT			1	1			CM DK, DM, F1, F2, SA, U DK, DM, SA, U
		10	34906-041-671	BULB, STOP & TAILLIGHT (6V17/5.3W STANLEY)	1		1	1			CM
			34906-329-671	BULB, STOP & TAILLIGHT (6V32/3CP)	1	1	1	1			E F1, F2
			34905-149-611	BULB, STOP & TAILLIGHT (LOCAL PURCHASE)			1	1			CM DK, DM, SA, U CM
		11	61105-428-000	COLLAR, RR. FENDER	3	3					CM DK, DM, SA, U CM
			33713-435-000	COLLAR, TAILLIGHT			3	3			

**2-H14**

**F-23**

**Taillight**

(XL250S,Sz,SA,Sb-CM,  
DK,DM,E,F1,F2,SA,U)

**Feu arrière**

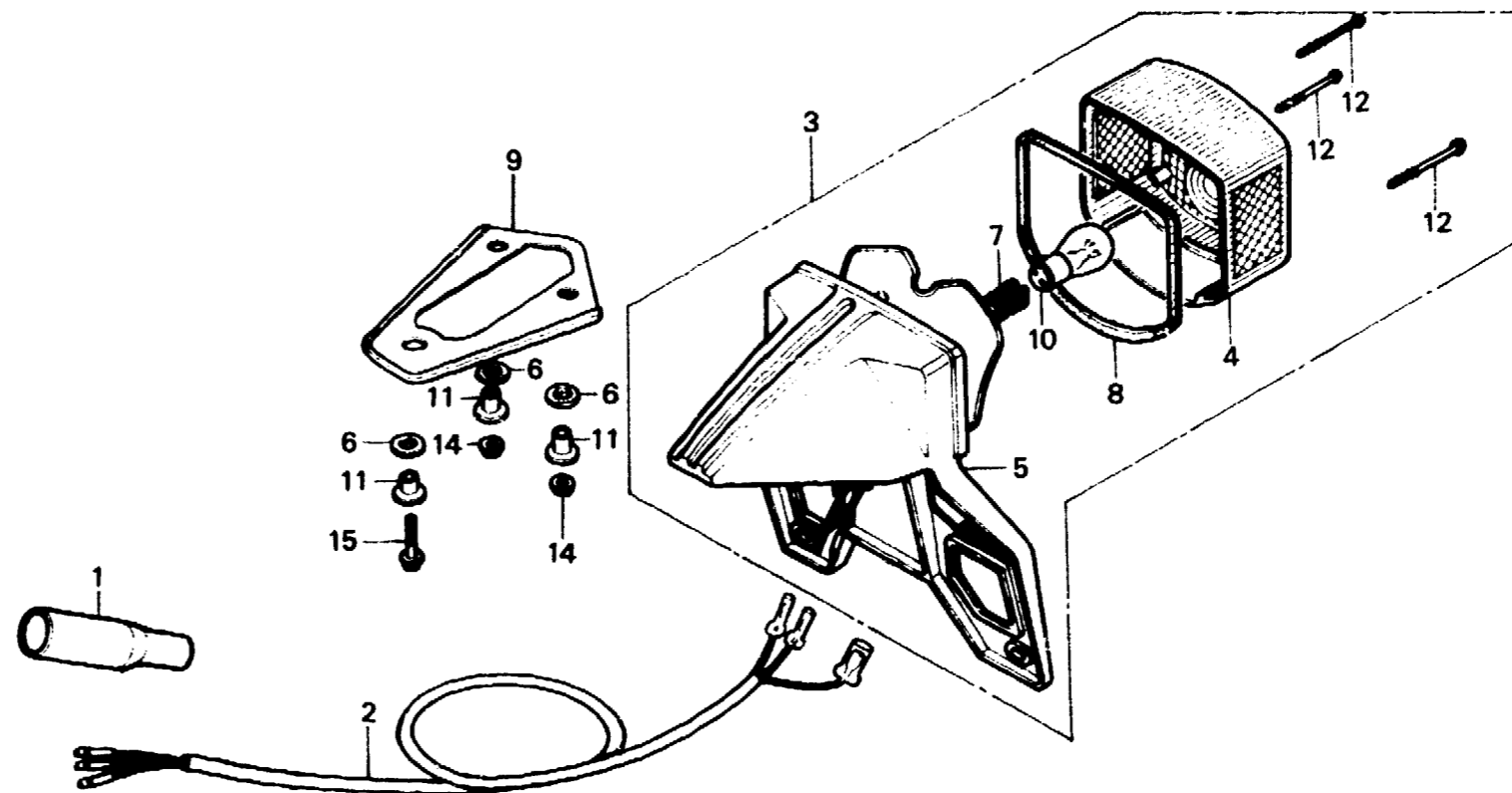
(XL250S,Sz,SA,Sb-CM,  
DK,DM,E,F1,F2,SA,U)

**Rücklicht**

(XL250S,Sz,SA,Sb-CM,  
DK,DM,E,F1,F2,SA,U)

**Luz trasera**

(XL250S,Sz,SA,Sb-CM,  
DK,DM,E,F1,F2,SA,U)



B428-36E

Service item	F.R.T.	Ref. No.	Part No.	Description	Reqd. No.					Serial No.	Area code
					S	Sz	SA	Sb	Rc		
			33713-428-610	COLLAR, TAILLIGHT				3	3		E
			33713-435-000	COLLAR, TAILLIGHT					3		F1,F2
		12	90147-147-671	SCREW, TAPPING, 4X60	3					5016128	CM,DK,DM,SA,U
			90147-428-003	SCREW, TAPPING, 4X75		3				5103570	
					3					5016129	F1,F2
						3				5103571	CM,DK,DM,SA,U
		13	90522-028-000	WASHER, CHAIN CASE SETTING				3	3		CM,DK,DM,E,SA,U
		14	94050-06000	NUT, FLANGE, 6MM	2	2	2	2	2		E
								1	1		CM,DK,DM,SA,U
		15	95700-06022-00	BOLT, FLANGE, 6X22	1	1					E
			95700-06028-00	BOLT, FLANGE, 6X28	1			1	1		CM
								1	1		DK,DM,SA,U
								1	1		CM
								1	1		F1,F2
								1	1		E

# 2-H15

## F-23-1

### Taillight

(XL250S, SA, Sb-B, E, ED,  
F, F1, F2, G1, G2, SD, SW)

### Feu arrière

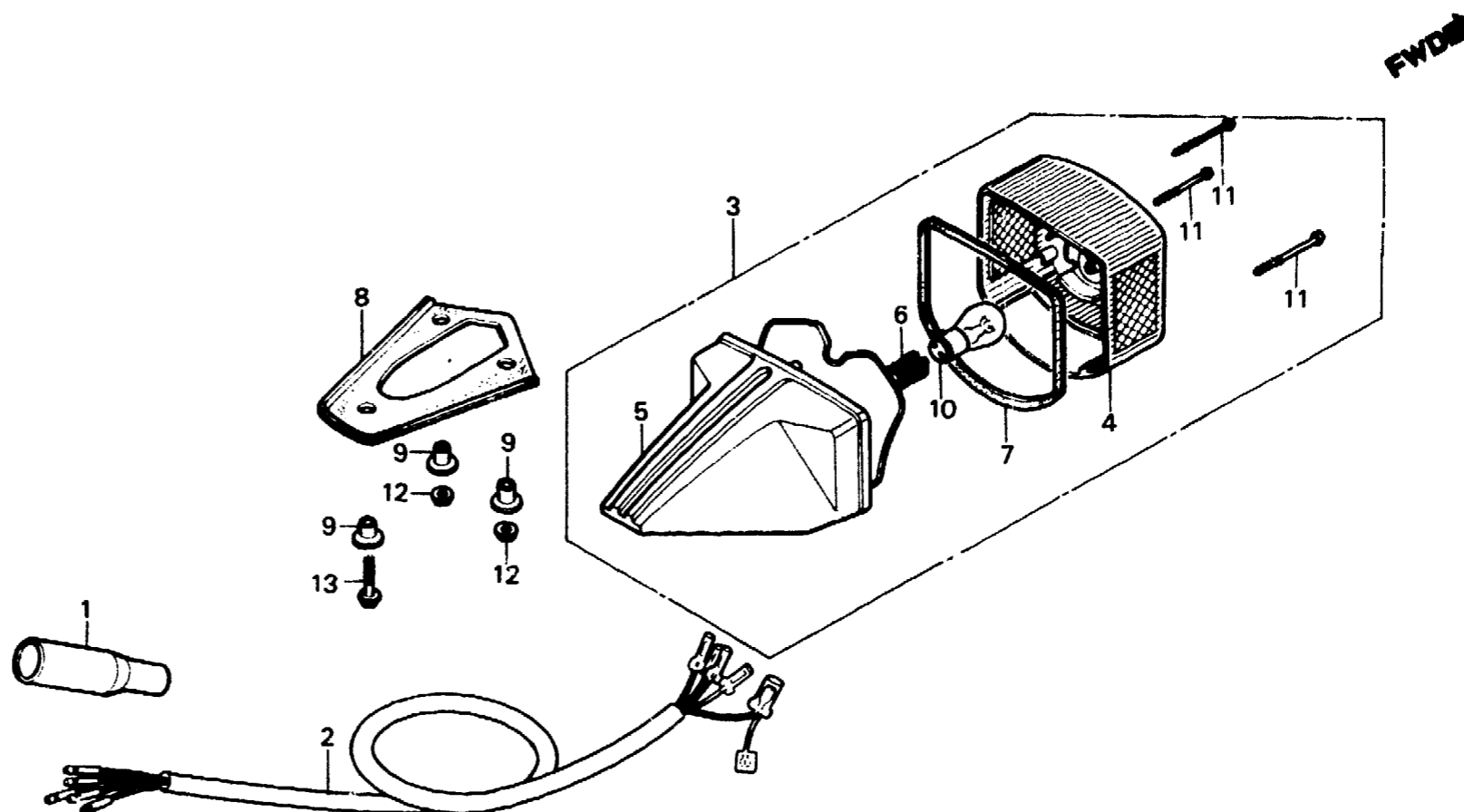
(XL250S, SA, Sb-B, E, ED,  
F, F1, F2, G1, G2, SD, SW)

### Rücklicht

(XL250S, SA, Sb-B, E, ED,  
F, F1, F2, G1, G2, SD, SW)

### Luz trasera

(XL250S, SA, Sb-B, E, ED,  
F, F1, F2, G1, G2, SD, SW)



B428-53

Service item	F.R.T.	Ref. No.	Part No.	Description	Reqd. No. XL250				Serial No.	Area code
					S	Sz	SA	Sb		
SUB CORD, TAILLIGHT • TAILLIGHT ASSY. • SOCKET COMP., TAILLIGHT • CORD COMP., TAILLIGHT BULB, STOP & TAILLIGHT	0.2	1	32108-046-000	COVER, WIRE HARNESS CONNECTOR	1					E
					1		1	1		B, ED, F, G, G1, G2, SD, SW
	0.1	2	32200-428-610	SUB CORD, TAILLIGHT	1					F1, F2
					1		1	1		E, F, G
			32200-428-000	SUB CORD, TAILLIGHT			1	1		ED, G1, G2, SD, SW
		3	33700-428-601	TAILLIGHT ASSY.	1				5016938	F1, F2
			33700-428-602	TAILLIGHT ASSY.						B
			33700-428-603	TAILLIGHT ASSY.				1		E, ED, F, G, SW
			33700-428-602	TAILLIGHT ASSY.	1				5016939	B, ED, G1, G2, SD, SW
										E, ED, F, G, SW
		4	33702-443-611	LENS, TAILLIGHT	1					B, ED, F1, F2, G1, G2, SD
					1		1	1		SW
					1		1			E
		5	33703-428-601	SOCKET COMP., TAILLIGHT	1					B, ED, F, G, G1, G2, SD, SW
			33703-428-603	SOCKET COMP., TAILLIGHT				1		F1, F2
									5016938	E, ED, F, G, SW
										B, ED, G1, G2, SD, SW

**2-H16**

**F-23-1**

**Taillight**

(XL250S, SA, Sb-B, E, ED, F, F1, F2, G1, G2, SD, SW)

**Feu arrière**

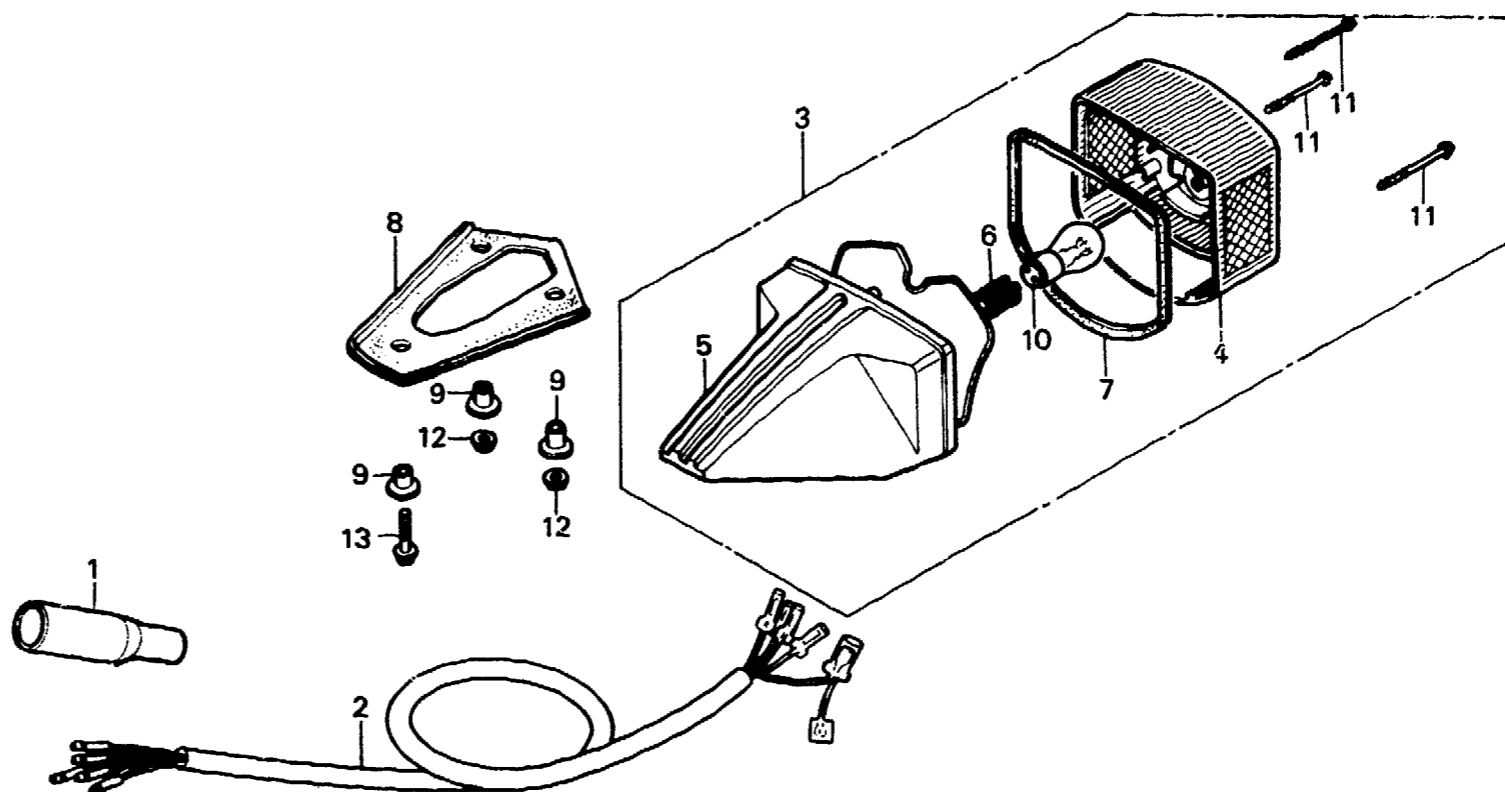
(XL250S, SA, Sb-B, E, ED, F, F1, F2, G1, G2, SD, SW)

**Rücklicht**

(XL250S, SA, Sb-B, E, ED, F, F1, F2, G1, G2, SD, SW)

**Luz trasera**

(XL250S, SA, Sb-B, E, ED, F, F1, F2, G1, G2, SD, SW)



B428-53

Service item	F.R.T.	Ref. No.	Part No.	Description	Reqd. No.					Serial No.	Area code
					S	SZ	SA	Sb	Rc		
			33703-428-602	SOCKET COMP., TAILLIGHT	1					5016939	E, ED, F, G, SW B, ED, F1, F2, G1, G2, SD SW
		6	33705-147-671	CORD COMP., TAILLIGHT (STANLEY)	1		1	1			E B, ED, F, G, G1, G2, SD, SW F1, F2
		7	33709-092-671	PACKING, TAILLIGHT LENS	1		1	1			E B, ED, F, G, G1, G2, SD, SW F1, F2
		8	33712-428-610	RUBBER, TAILLIGHT BASE SEAT	1		1	1			E B, ED, F, G, G1, G2, SD, SW F1, F2
		9	33713-428-610	COLLAR, TAILLIGHT	3		3				E B, ED, F, F1, F2, G, G1, G2 SD SW
			61104-357-000	COLLAR, FR. FENDER	3		3	3			B, ED, G1, G2, SD
		10	34905-149-611	BULB, STOP & TAILLIGHT (LOCAL PURCHASE)	1		1	1			E B, ED, F, G, G1, G2, SD, SW F1, F2



**2-11**

**F-23-1**

**Taillight**

(XL250S, SA, SB-B, E, ED, F, F1, F2, G1, G2, SD, SW)

**Feu arrière**

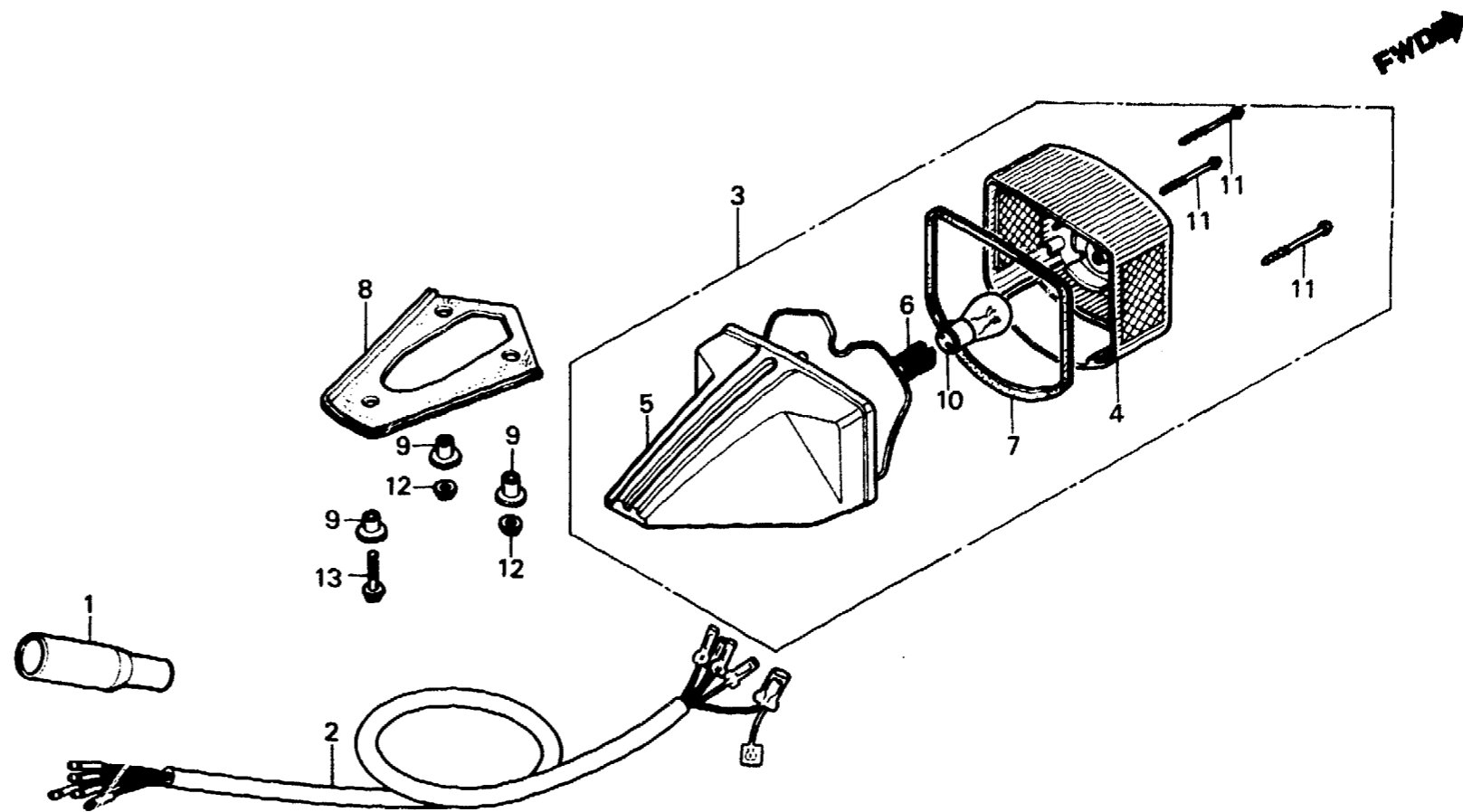
(XL250S, SA, SB-B, E, ED, F, F1, F2, G1, G2, SD, SW)

**Rücklicht**

(XL250S, SA, SB-B, E, ED, F, F1, F2, G1, G2, SD, SW)

**Luz trasera**

(XL250S, SA, SB-B, E, ED, F, F1, F2, G1, G2, SD, SW)



B428-53

Service item	F.R.T.	Ref. No.	Part No.	Description	Reqd. No.				Serial No.	Area code
					S	Sz	SA	SB		
		11	90147-147-671	SCREW, TAPPING, 4X60	3				5016128	E, ED, F, G, SW
			90147-428-003	SCREW, TAPPING, 4X75	3				5016129	E, ED, F, G, SW
						3	3			B, ED, G1, G2, SD, SW
		12	94050-06000	NUT, FLANGE, 6MM	2					F1, F2
					2		2			E
							2			B, ED, F, G, G1, G2, SD, SW
		13	95700-06018-00	BOLT, FLANGE, 6X18	1					F1, F2
					1		1			E
						1	1			B, ED, F, G, G1, G2, SD, SW
							1			F1, F2

**2-12**

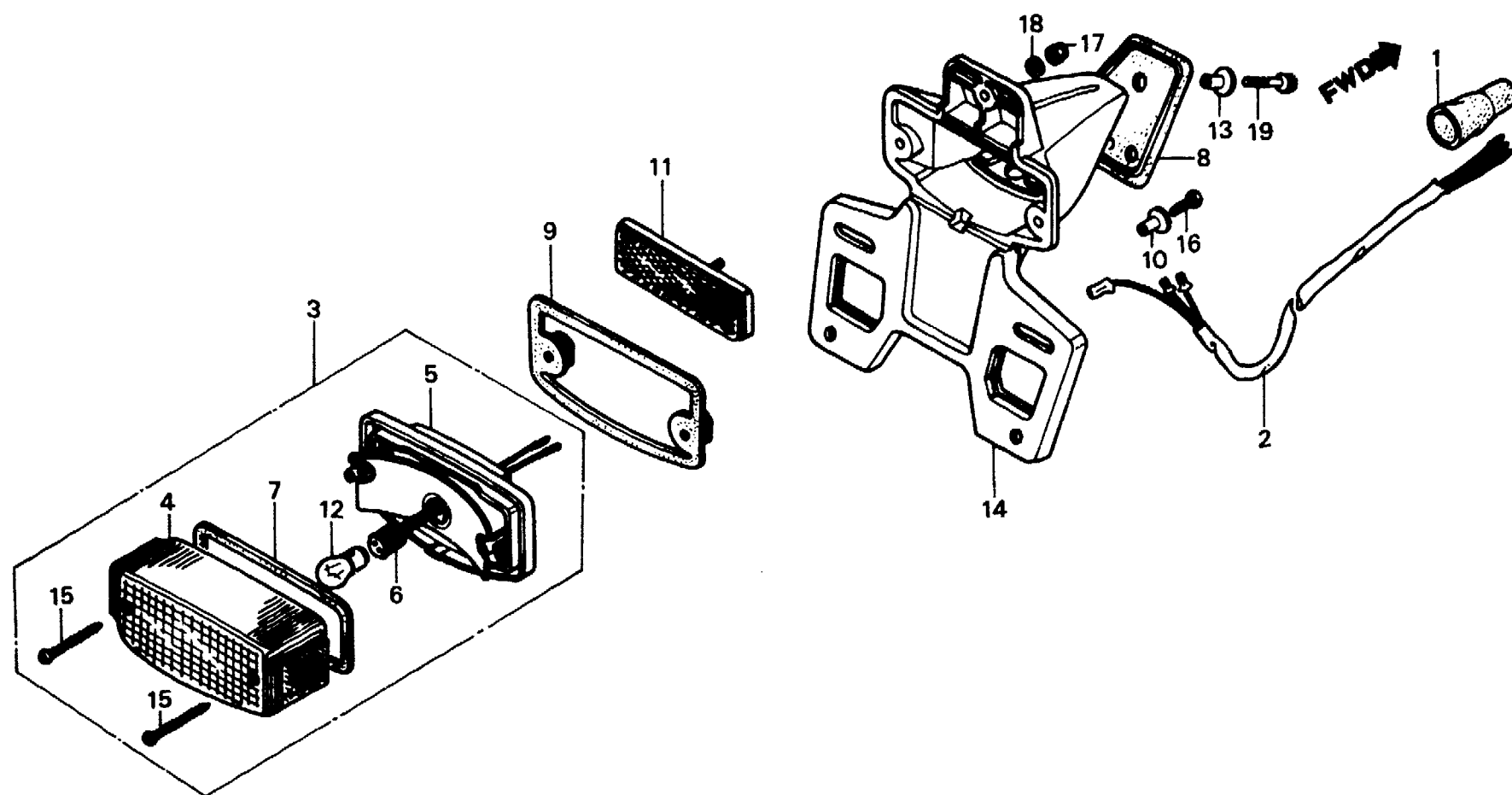
**F-23-2**

**Taillight  
(XL250Rc-CM)**

**Feu arrière  
(XL250Rc-CM)**

**Rücklicht  
(XL250Rc-CM)**

**Luz trasera  
(XL250Rc-CM)**



BMC4-17

Service item	F.R.T.	Ref. No.	Part No.	Description	Reqd. No.				Serial No.	Area code
					S	Sz	SA	Sb		
SUB CORD, TAILLIGHT	0.3	1	32108-046-000	COVER, WIRE HARNESS CONNECTOR					1	CM
TAILLIGHT UNIT	0.2	2	32200-428-000	SUB CORD, TAILLIGHT					1	CM
•SOCKET COMP., TAILLIGHT		3	33701-MC4-671	TAILLIGHT UNIT (STANLEY)					1	CM
•CORD COMP., TAILLIGHT		4	33702-MC4-671	LENS, TAILLIGHT (STANLEY)					1	CM
•BRACKET COMP., NUMBER PLATE		5	33703-MC4-671	SOCKET COMP., TAILLIGHT					1	CM
BULB, TAILLIGHT	0.1									
		6	33708-147-003	CORD COMP., TAILLIGHT					1	CM
		7	33709-KB7-003	PACKING, TAILLIGHT LENS					1	CM
		8	33712-KB7-003	RUBBER, BASE SEAT					1	CM
		9	33718-KB7-003	PACKING, TAILLIGHT					1	CM
		10	33719-KB7-000	COLLAR, TAILLIGHT PACKING					2	CM
		11	33741-MC7-611	REFLECTOR, REFLEX					1	CM
		12	34906-341-671	BULB, TAILLIGHT (12V32/3CP)					1	CM
		13	40521-437-000	COLLAR, CHAIN CASE TAIL					3	CM

**2-I3**

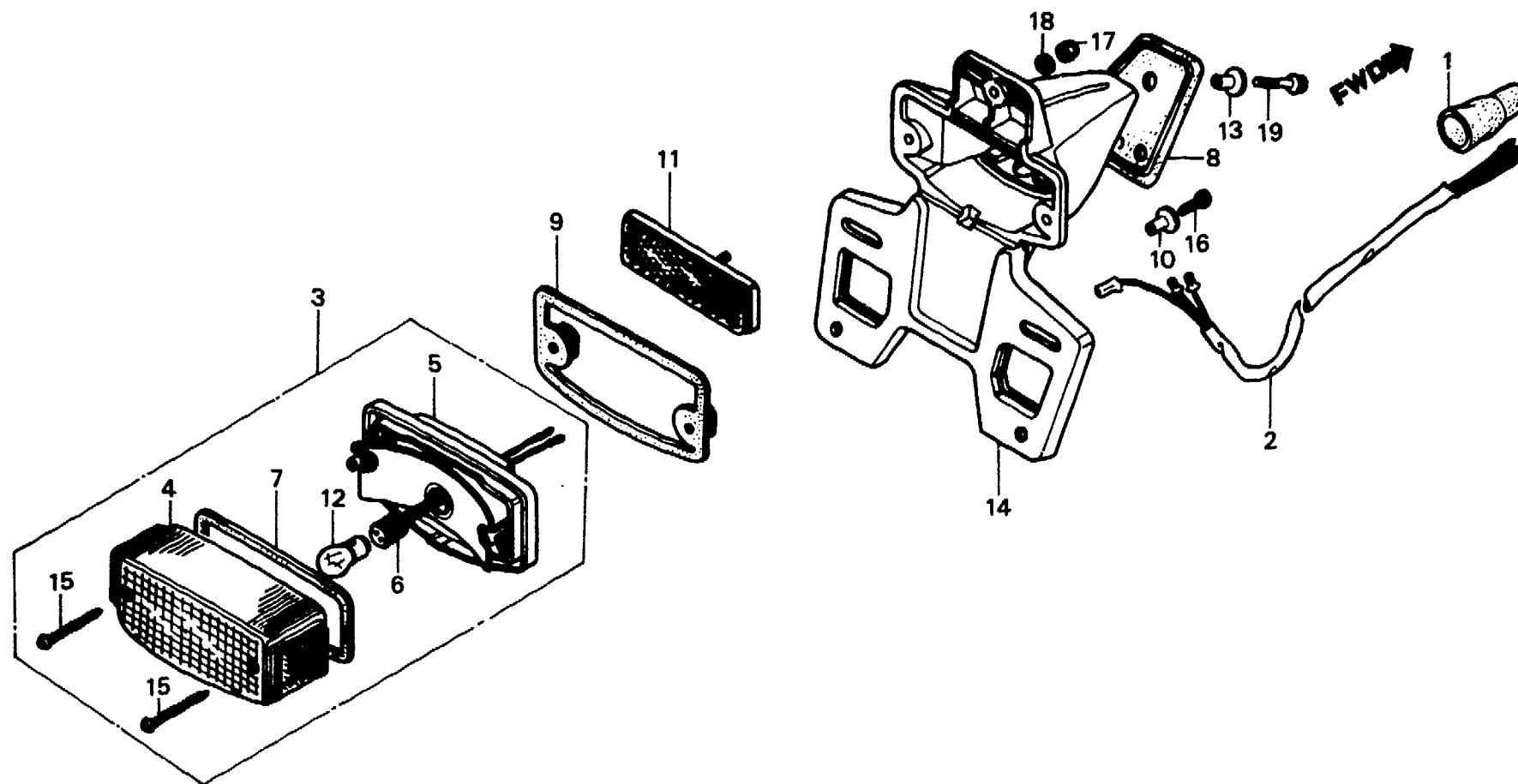
**F-23-2**

**Taillight  
(XL250Rc-CM)**

**Feu arrière  
(XL250Rc-CM)**

**Rücklicht  
(XL250Rc-CM)**

**Luz trasera  
(XL250Rc-CM)**



BMC4-17

Service item	F.R.T.	Ref. No.	Part No.	Description	Reqd. No.					Serial No.	Area code
					S	Sz	SA	Sb	Rc		
		14	84701-MC4-671	BRACKET COMP., NUMBER PLATE (STANLEY)					1		CM
		15	90105-GA7-003	SCREW, TAPPING, 4X40					2		CM
		16	92000-05020-0A	BOLT, HEX., 5X20					2		CM
		17	94021-05020-0S	NUT, CAP, 5MM					1		CM
		18	94111-05000	WASHER, SPRING, 5MM					1		CM
		19	95700-06025-00	BOLT, FLANGE, 6X25					3		CM

**2-14**

**F-23-3**

**Taillight**

(XL250Rc-B,DK,DM,E,ED,F1,  
F2,G1,G2,IT,SA,SD,SW,U)

**Feu arrière**

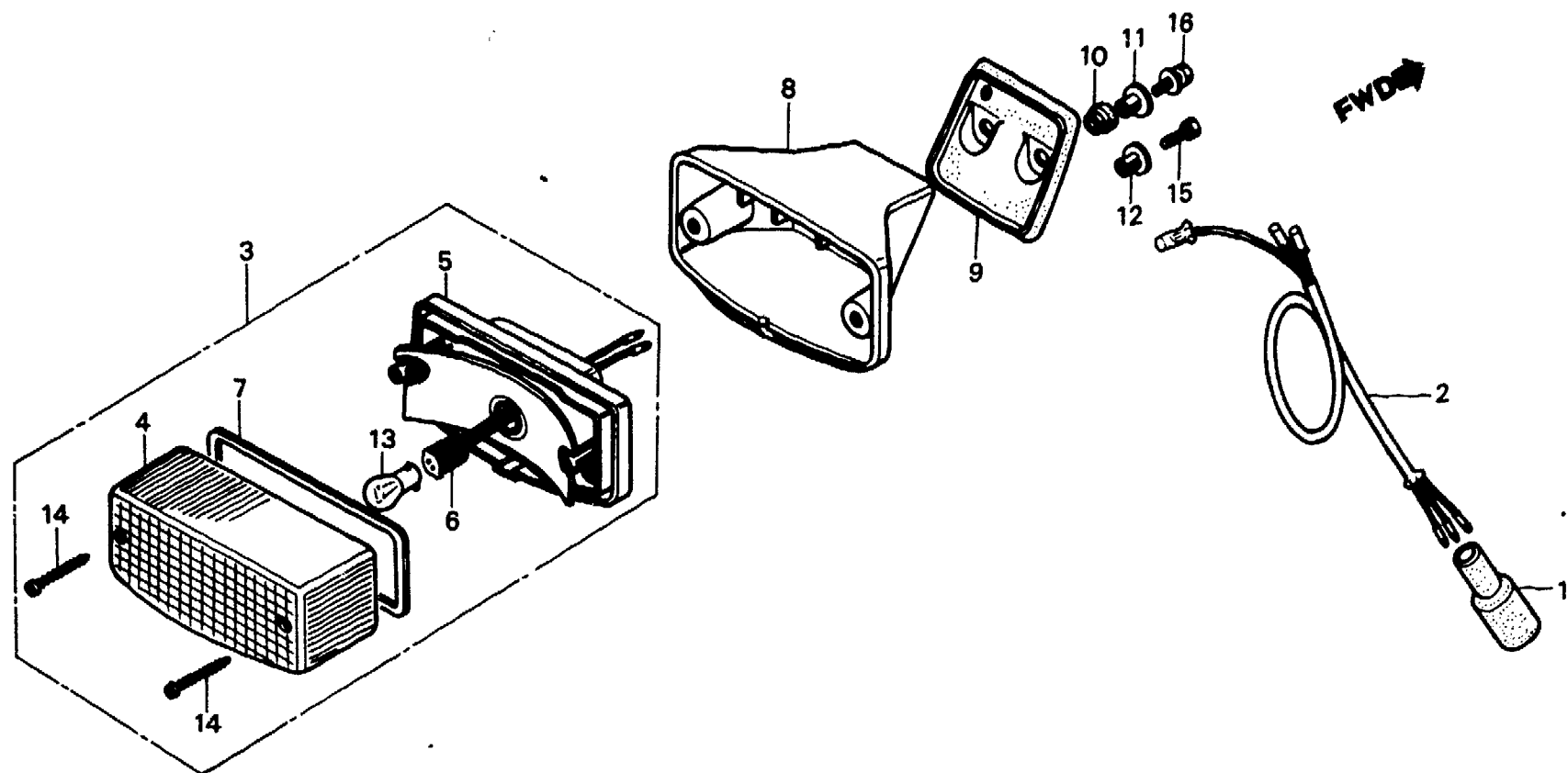
(XL250Rc-B,DK,DM,E,ED,F1,  
F2,G1,G2,IT,SA,SD,SW,U)

**Rücklicht**

(XL250Rc-B,DK,DM,E,ED,F1,  
F2,G1,G2,IT,SA,SD,SW,U)

**Luz trasera**

(XL250Rc-B,DK,DM,E,ED,F1,  
F2,G1,G2,IT,SA,SD,SW,U)



BMC4-30

Service item	F.R.T.	Ref. No.	Part No.	Description	Reqd. No.					Serial No.	Area code
					S	Sz	SA	Sb	Rc		
SUB CORD, TAILLIGHT	0.3	1	32108-046-000	COVER, WIRE HARNESS CONNECTOR					1		B,DK,DM,E,ED,F1,F2,G1
TAILLIGHT UNIT	0.2										G2,IT,SA,SD,SW,U
SOCKET COMP., TAILLIGHT		2	32200-MC4-600	SUB CORD, TAILLIGHT					1		B,DK,DM,E,ED,F1,F2,G1
CORD COMP., TAILLIGHT											G2,IT,SA,SD,SW,U
BRACKET, TAILLIGHT		3	33701-KB7-003	TAILLIGHT UNIT (STANLEY)					1		DK,DM,SA,U
BULB, STOP & TAILLIGHT	0.1		33701-MC4-601	TAILLIGHT UNIT (STANLEY)					1		B,E,ED,F1,F2,G1,G2,IT
		4	33702-KB7-003	LENS, TAILLIGHT (STANLEY)					1		SD,SW
		5	33703-KB7-003	SOCKET COMP., TAILLIGHT					1		B,DK,DM,E,ED,F1,F2,G1
			33703-MC4-601	SOCKET COMP., TAILLIGHT					1		G2,IT,SA,SD,SW,U
											DK,DM,SA,U
		6	33708-147-003	CORD COMP., TAILLIGHT					1		B,E,ED,F1,F2,G1,G2,IT
		7	33709-KB7-003	PACKING, TAILLIGHT LENS					1		SD,SW
		8	33712-MC4-611	BRACKET, TAILLIGHT					1		B,DK,DM,E,ED,F1,F2,G1
											G2,IT,SA,SD,SW,U

**2-15**

**F-23-3**

**Taillight**

(XL250Rc-B,DK,DM,E,ED,F1,  
F2,G1,G2,IT,SA,SD,SW,U )

**Feu arrière**

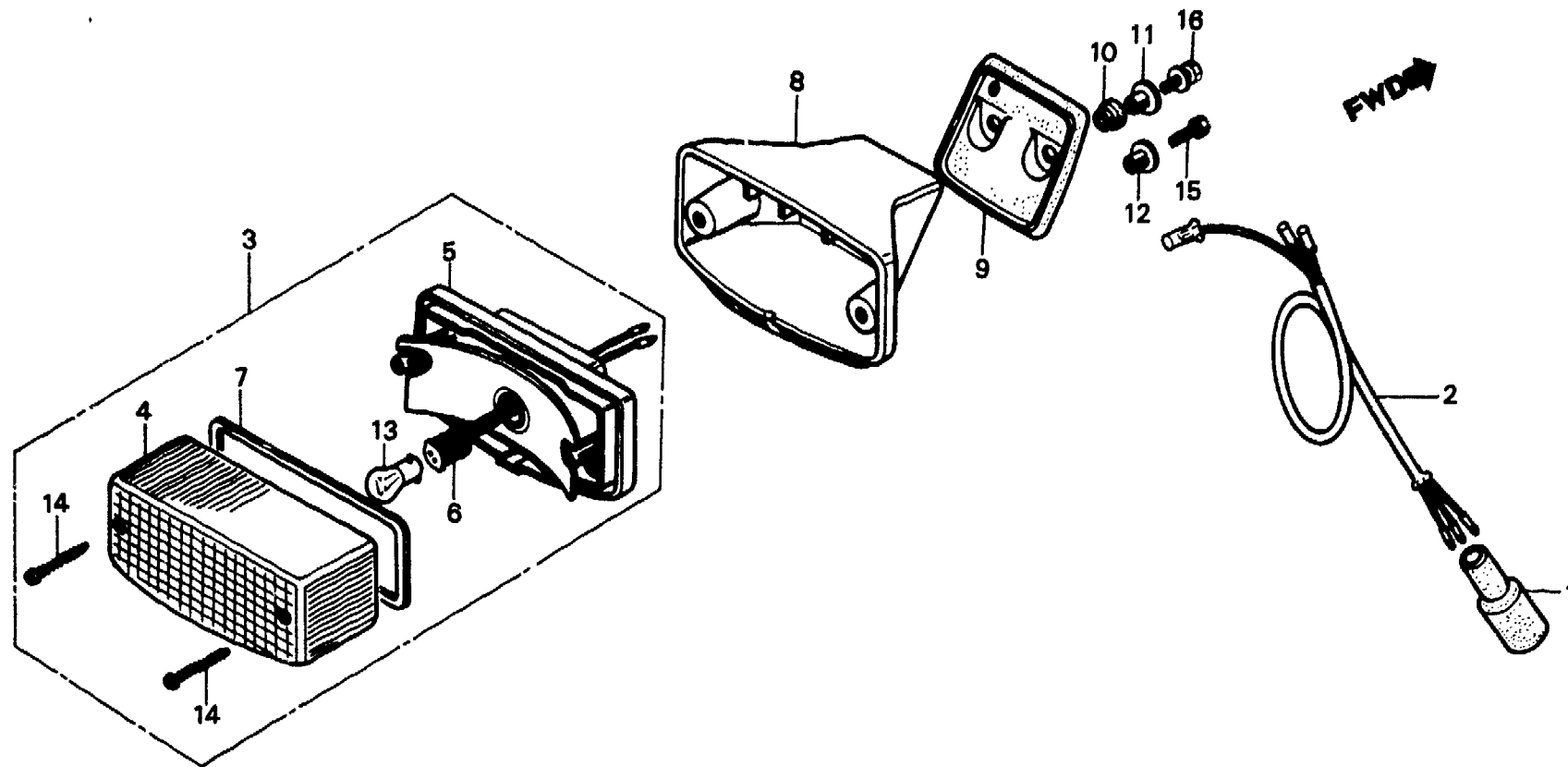
(XL250Rc-B,DK,DM,E,ED,F1,  
F2,G1,G2,IT,SA,SD,SW,U )

**Rücklicht**

(XL250Rc-B,DK,DM,E,ED,F1,  
F2,G1,G2,IT,SA,SD,SW,U )

**Luz trasera**

(XL250Rc-B,DK,DM,E,ED,F1,  
F2,G1,G2,IT,SA,SD,SW,U )



BMC4-30

Service item	F.R.T.	Ref. No.	Part No.	Description	Reqd. No.				Serial No.	Area code
					S	Sz	SA	Sb		
		9	33713-MC4-610	SEAT, TAILLIGHT BRACKET					1	B,DK,DM,E,ED,F1,F2,G1 G2,IT,SA,SD,SW,U
		10	33714-MC4-610	RUBBER, TAILLIGHT BRACKET					2	B,DK,DM,E,ED,F1,F2,G1 G2,IT,SA,SD,SW,U
		11	33715-MC4-610	COLLAR, TAILLIGHT SETTING					2	B,DK,DM,E,ED,F1,F2,G1 G2,IT,SA,SD,SW,U
		12	33719-KB7-000	COLLAR, TAILLIGHT PACKING					2	B,DK,DM,E,ED,F1,F2,G1 G2,IT,SA,SD,SW,U
		13	34906-313-671	BULB, STOP & TAILLIGHT (12V23/8W)					1	DK,DM,SA,U
			34906-447-711	BULB, TAILLIGHT (12V21/5W)					1	B,E,ED,F1,F2,G1,G2,IT SD,SW
		14	90105-GA7-003	SCREW, TAPPING, 4X40					2	B,DK,DM,E,ED,F1,F2,G1 G2,IT,SA,SD,SW,U
		15	92000-05020-0A	BOLT, HEX., 5X20					2	B,DK,DM,E,ED,F1,F2,G1 G2,IT,SA,SD,SW,U
		16	93893-05018-00	SCREW-WASHER, 5X18					2	B,DK,DM,E,ED,F1,F2,G1 G2,IT,SA,SD,SW,U

1982.01.10

E

2-15