



REAR FENDER

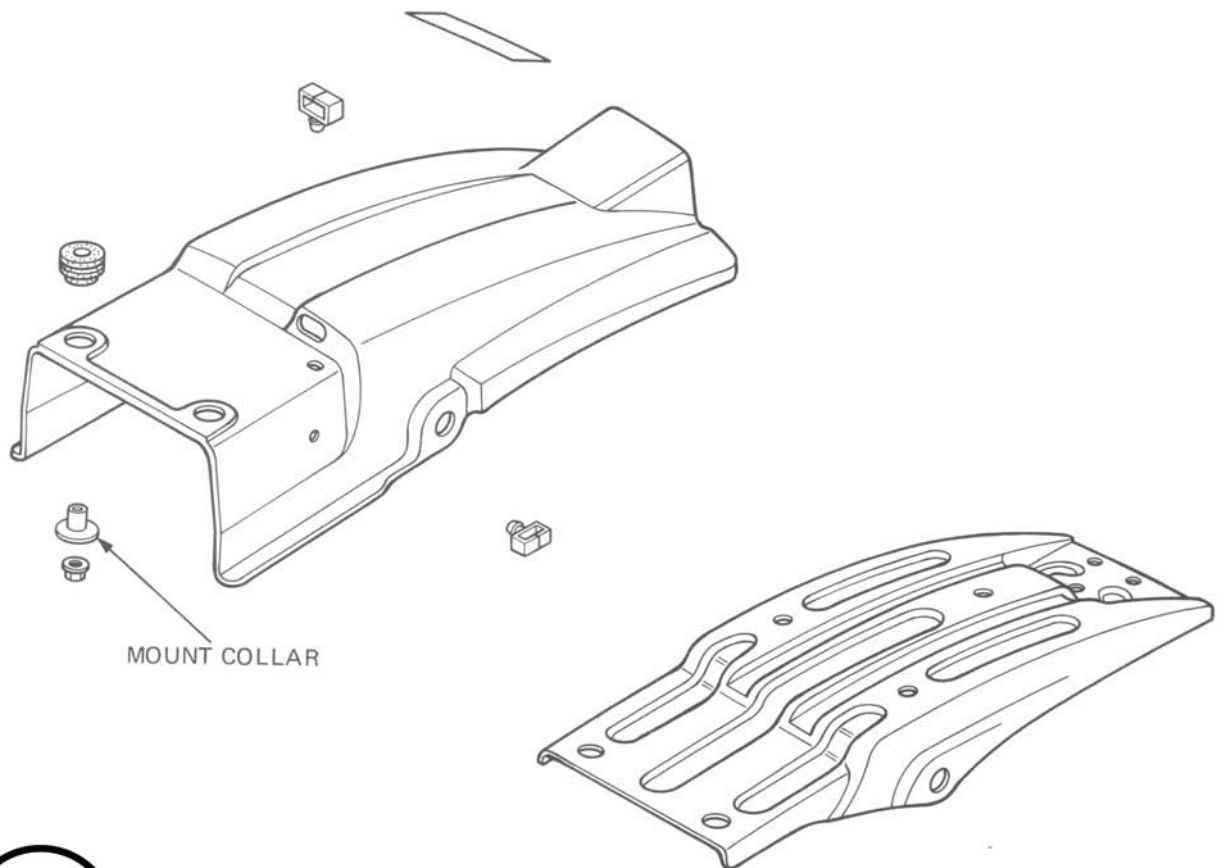
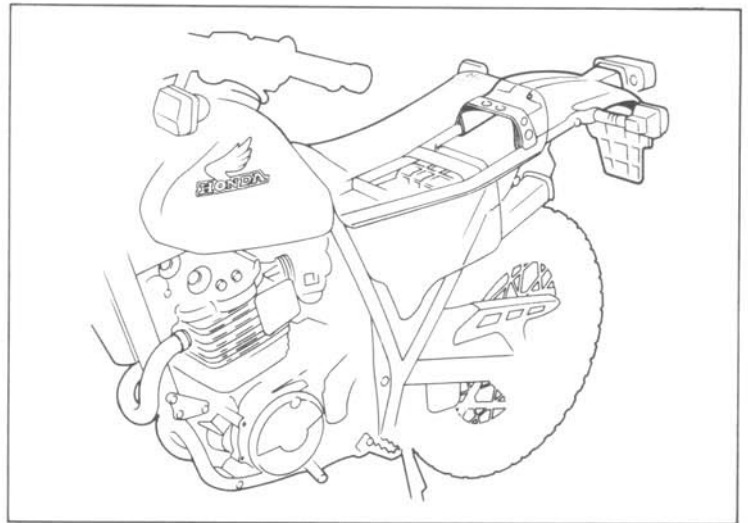
Remove the mounting bolts. Slide the seat back and lift it off.

Remove rear fender.

Install in reverse order of disassembly.

NOTE

- Before installing the seat, check that the rear fender is set on the frame cross member properly.
- Install the collar with the long ends facing up.



www.hxl.it



EXHAUST PIPE

WARNING

Do not service the exhaust pipe or muffler while they are hot.

Loosen the exhaust pipe and muffler connector.

Remove the muffler mount bolts.

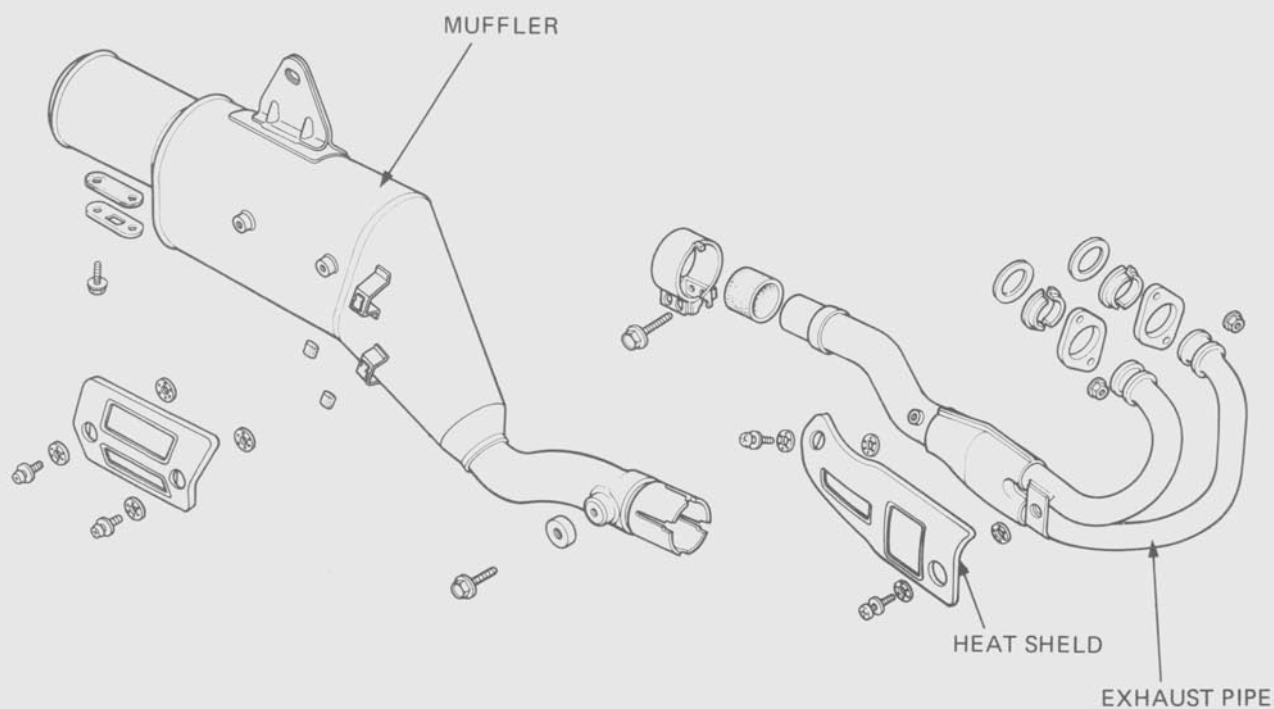
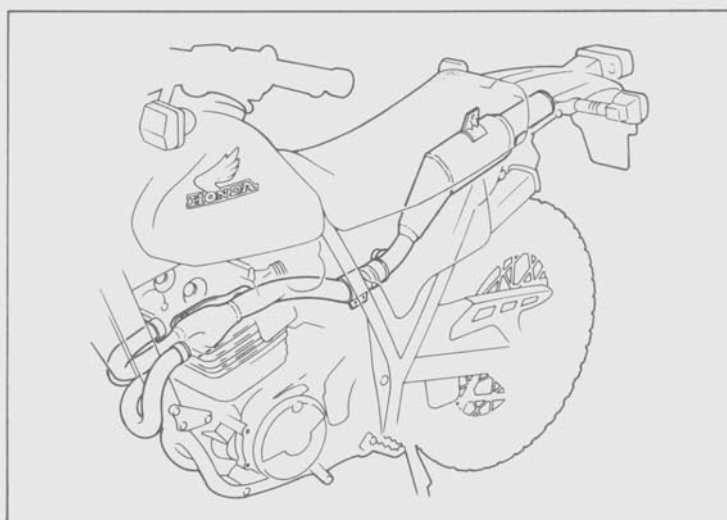
Remove the exhaust pipe.

Separate the muffler from the exhaust pipe.

Remove the exhaust pipe lower mount bolt. Then remove the nuts attaching the pipe to the cylinder head, and remove the pipe. Install in the reverse order of disassembly.

NOTE

After installing, make sure that there are no gas leaks.





HONDA
XL600R

REAR FENDER/EXHAUST PIPE

MEMO